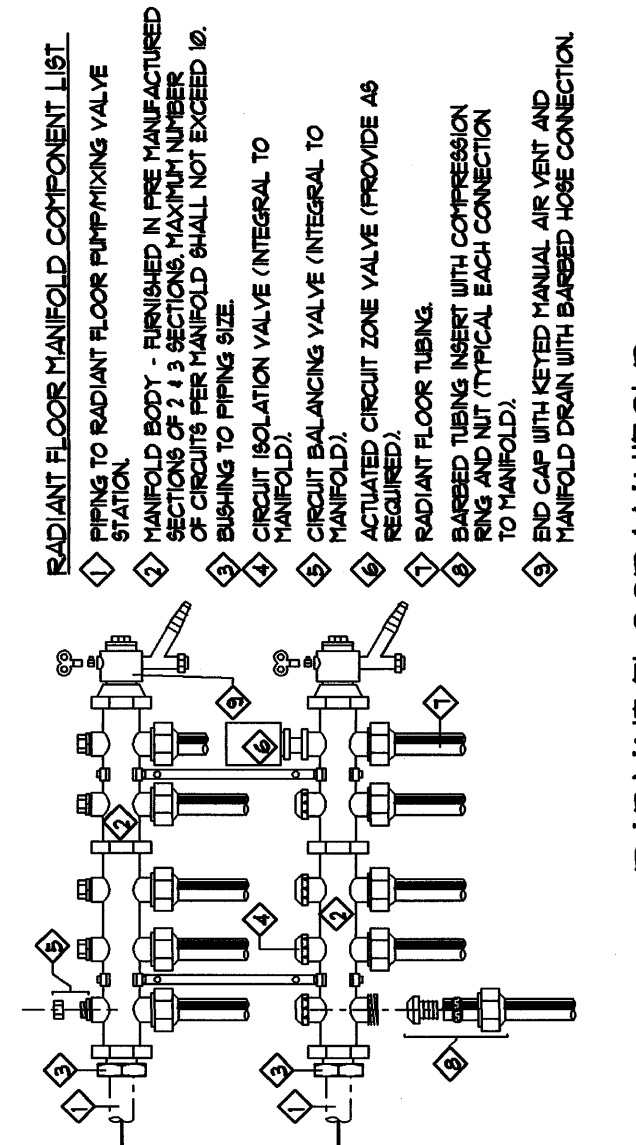
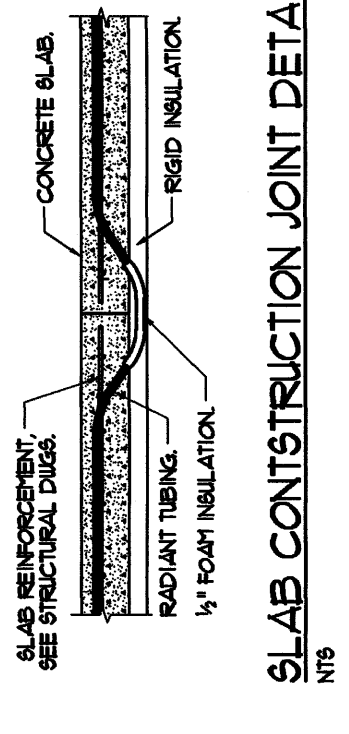


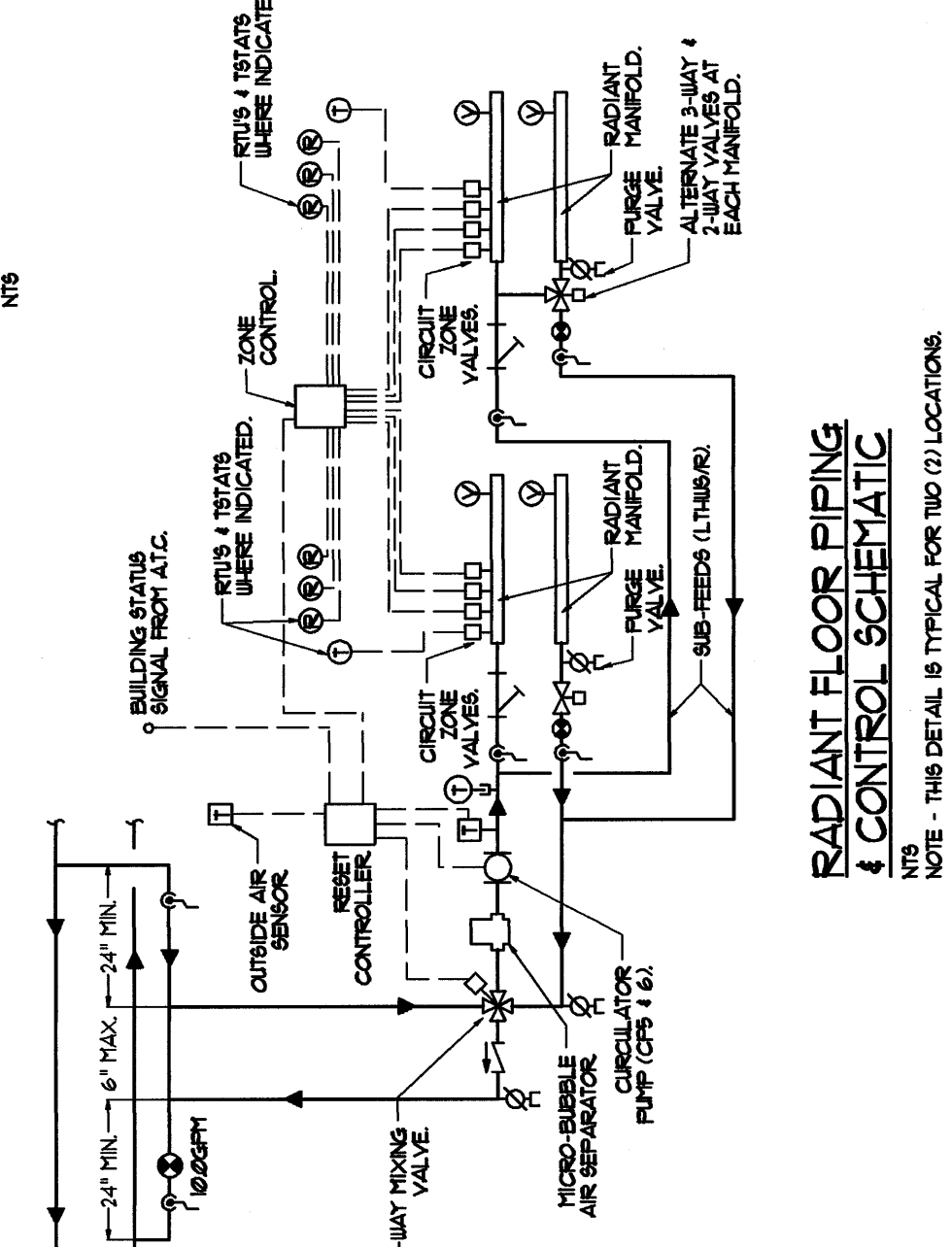
RADIANT FLOOR MANIFOLD
 NOTE: - THIS DETAIL IS TYPICAL FOR EACH ZONE.
 SEE SECTION 05100 FOR MANIFOLD CONNECTION.



RADIANT FLOOR MANIFOLD
 NOTE: - THIS DETAIL IS TYPICAL FOR EACH ZONE.
 SEE SECTION 05100 FOR MANIFOLD CONNECTION.



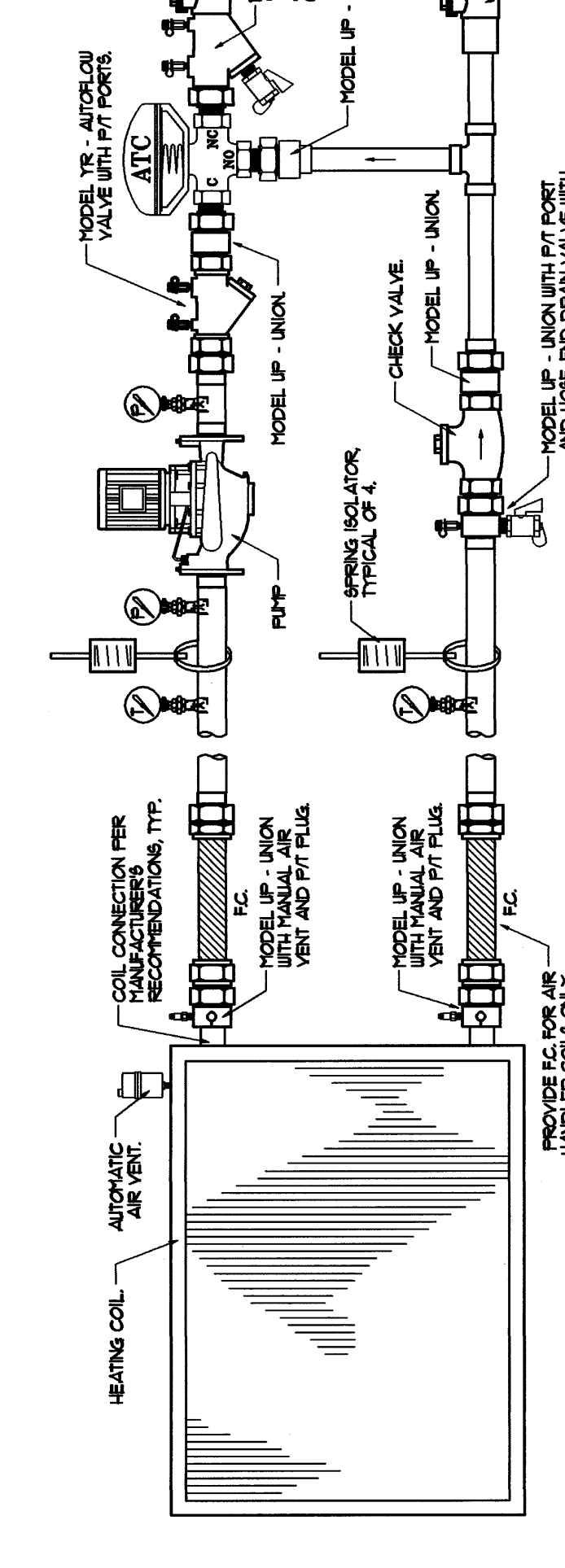
SLAB CONSTRUCTION JOINT DETAIL
 NOTE: - THIS DETAIL IS TYPICAL FOR SEPARATE POUR CONNECTION.
 SEE SECTION 05100 FOR JOINT DETAIL.



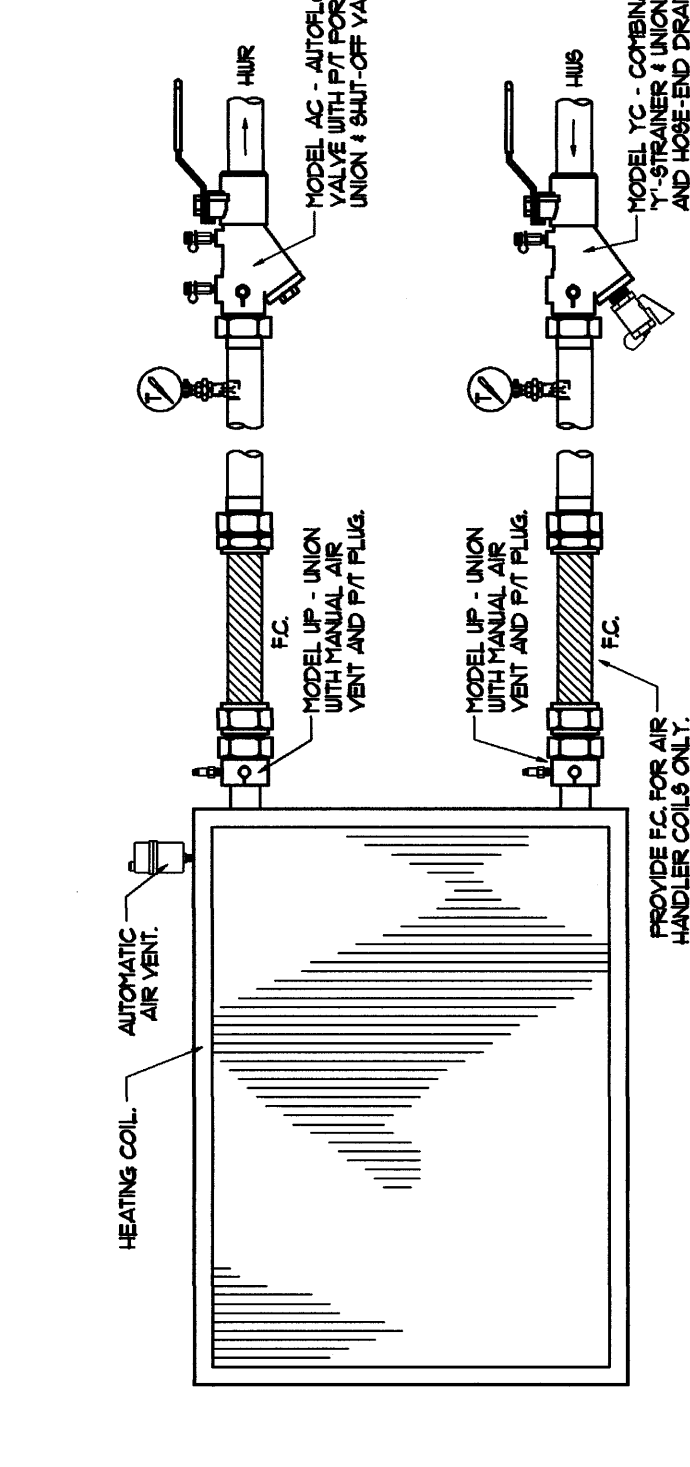
ROOF MOUNTED CONDENSING UNIT FOUNDATION DETAILS
 NOTE: - THIS DETAIL IS TYPICAL FOR EACH UNIT.
 SEE SECTION 05100 FOR FOUNDATION CONNECTION.

MOP BASIN INSTALLATION DETAIL
 NOTE: - THIS DETAIL IS TYPICAL FOR EACH UNIT.
 SEE SECTION 05100 FOR MOP BASIN CONNECTION.

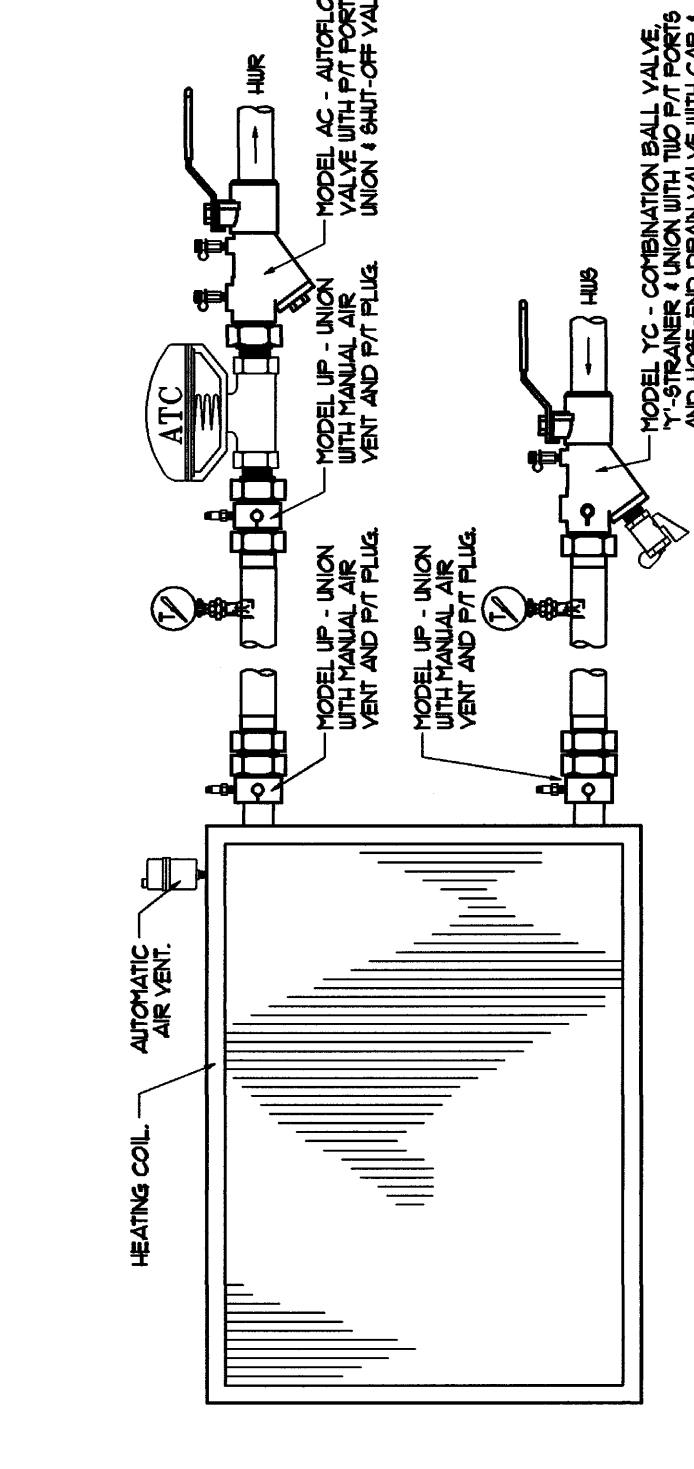
RADIANT FLOOR PIPING & CONTROL SCHEMATIC
 NOTE: - THIS DETAIL IS TYPICAL FOR EACH ZONE.
 SEE SECTION 05100 FOR PIPING CONNECTION.



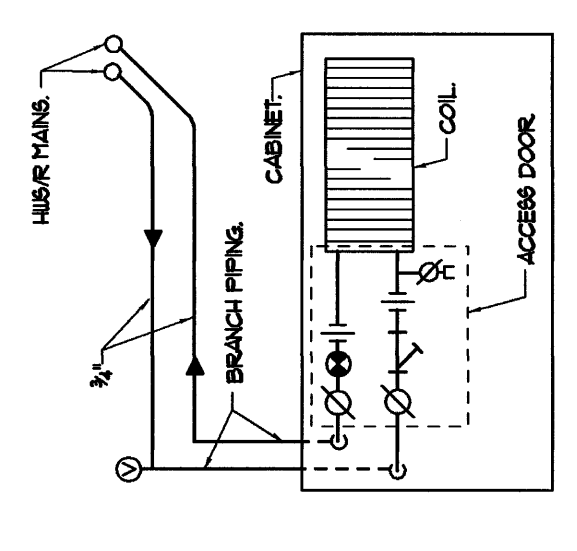
AUTOFLOW VALVE PIPING SCHEMATIC W/ 3-WAY VALVE
 NOTE: - MODEL NUMBER BASED ON LOW DESIGN. NOT FOR PIPE SIZES 7" AND SMALLER.
 NOTE: - DETAIL APPLICABLE TO UNIT HEATERS AND CABINET UNIT HEATERS.



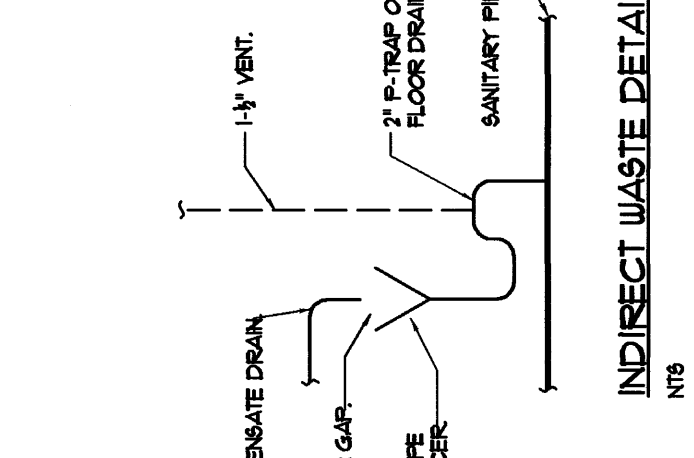
AUTOFLOW VALVE PIPING SCHEMATIC W/ NO VALVE CONTROL
 NOTE: - MODEL NUMBER BASED ON LOW DESIGN. NOT FOR PIPE SIZES 7" AND SMALLER.
 NOTE: - DETAIL APPLICABLE TO UNIT HEATERS AND CABINET UNIT HEATERS.



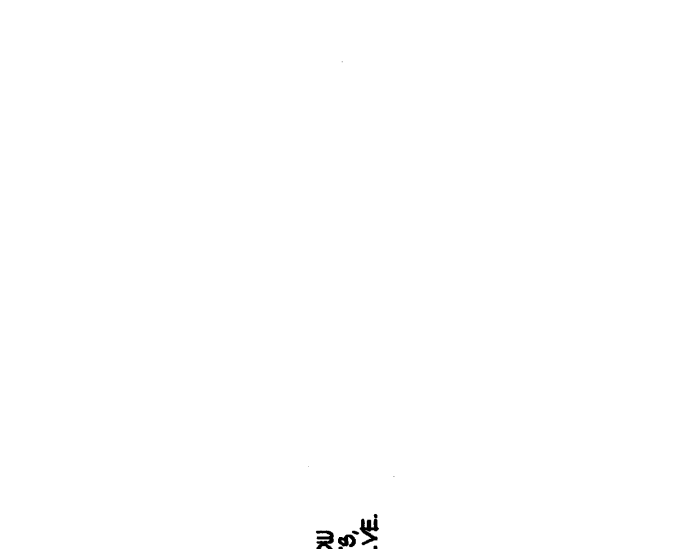
AUTOFLOW VALVE PIPING SCHEMATIC W/ 2-WAY VALVE
 NOTE: - MODEL NUMBER BASED ON LOW DESIGN. NOT FOR PIPE SIZES 7" AND SMALLER.
 NOTE: - DETAIL APPLICABLE TO UNIT HEATERS AND CABINET UNIT HEATERS.



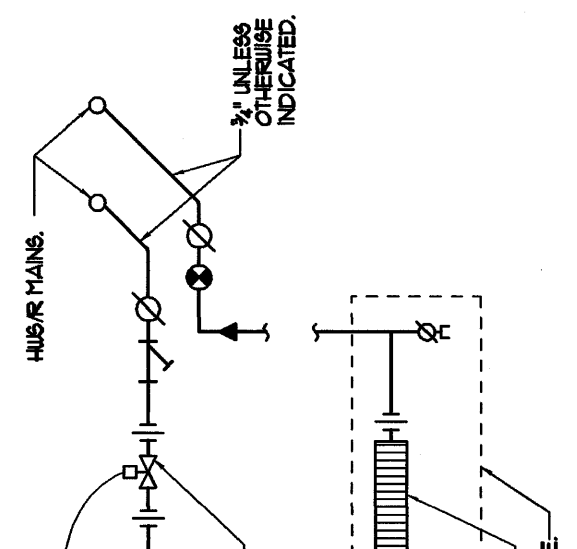
CABINET UNIT HEATERS PIPING DETAIL
 NOTE: - THIS DETAIL IS TYPICAL FOR EACH UNIT.
 SEE SECTION 05100 FOR PIPING CONNECTION.



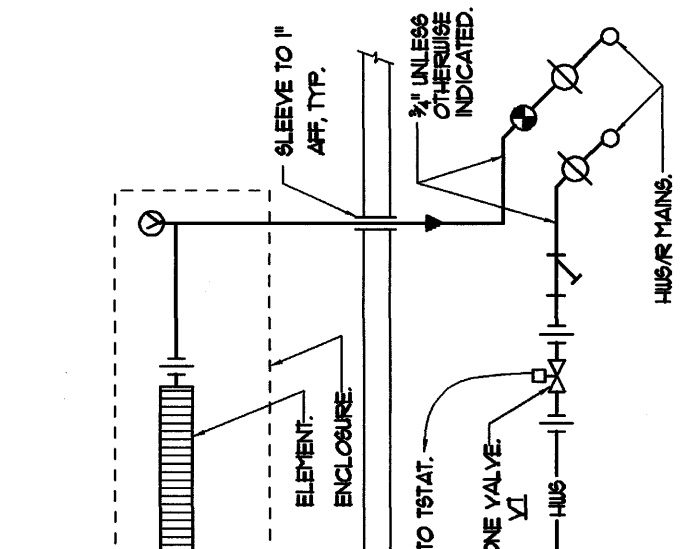
INDIRECT WASTE DETAIL
 NOTE: - THIS DETAIL IS TYPICAL FOR EACH UNIT.
 SEE SECTION 05100 FOR WASTE CONNECTION.



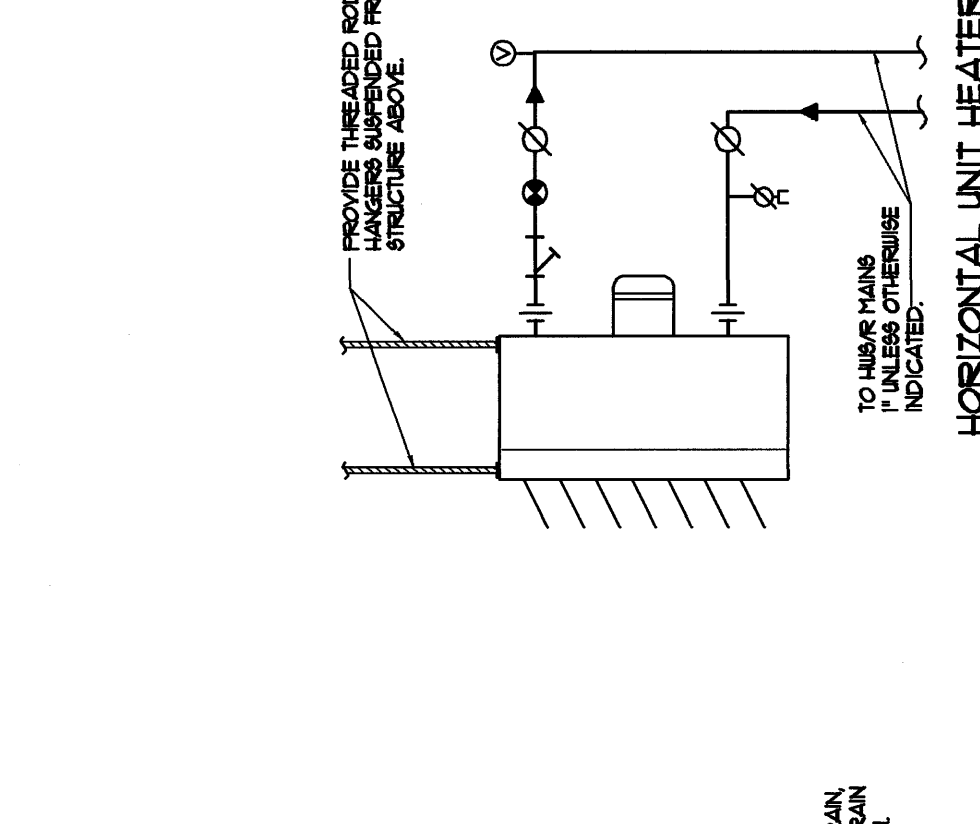
DOWNFEED FAN TUBE PIPING DETAIL
 NOTE: - THIS DETAIL IS TYPICAL FOR EACH UNIT.
 SEE SECTION 05100 FOR PIPING CONNECTION.



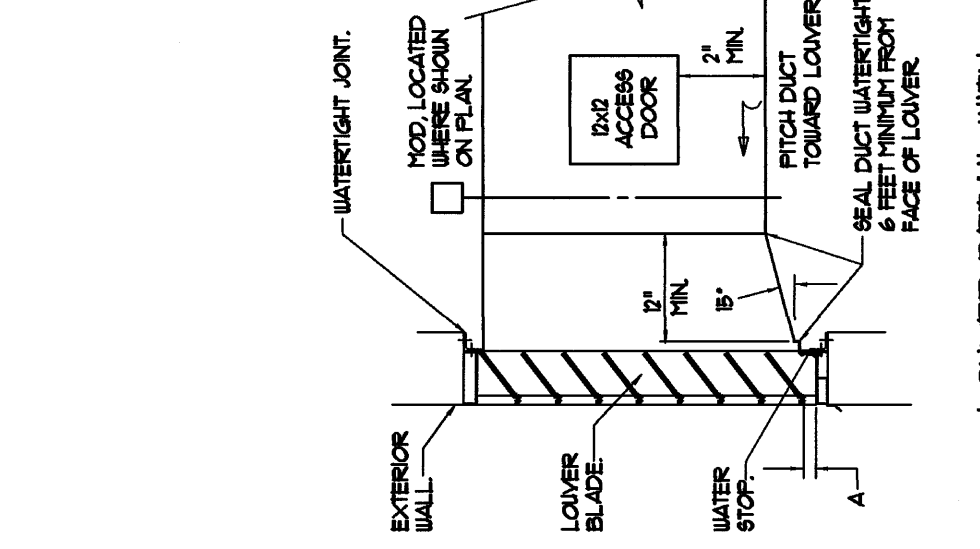
WATER ENTRANCE DETAIL
 NOTE: - THIS DETAIL IS TYPICAL FOR EACH UNIT.
 SEE SECTION 05100 FOR WATER CONNECTION.



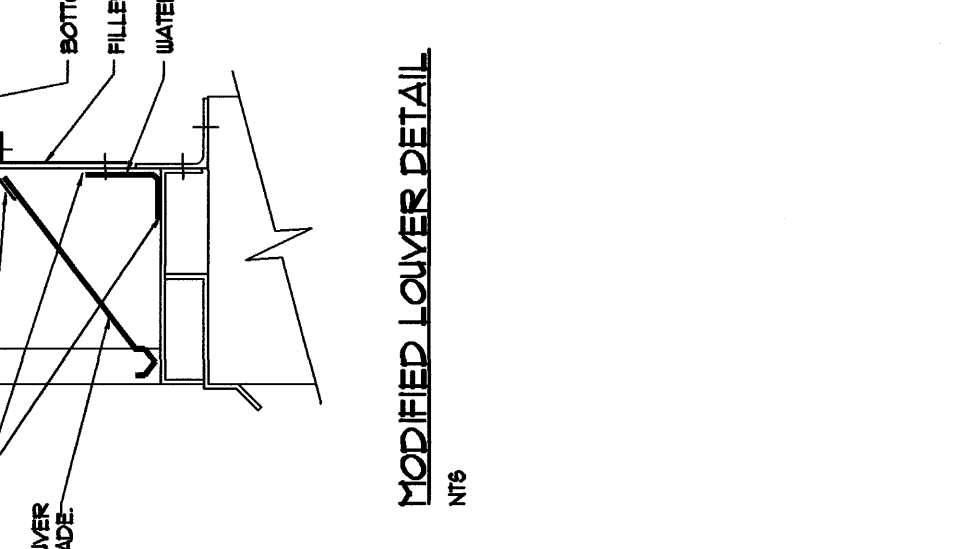
UNFEED FAN TUBE PIPING DETAIL
 NOTE: - THIS DETAIL IS TYPICAL FOR EACH UNIT.
 SEE SECTION 05100 FOR PIPING CONNECTION.



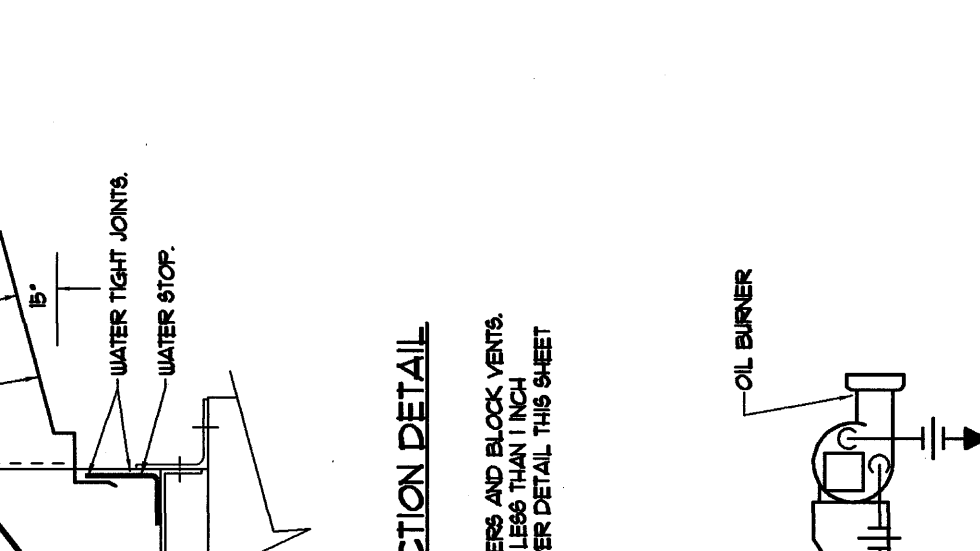
HORIZONTAL UNIT HEATERS PIPING DETAIL
 NOTE: - THIS DETAIL IS TYPICAL FOR EACH UNIT.
 SEE SECTION 05100 FOR PIPING CONNECTION.



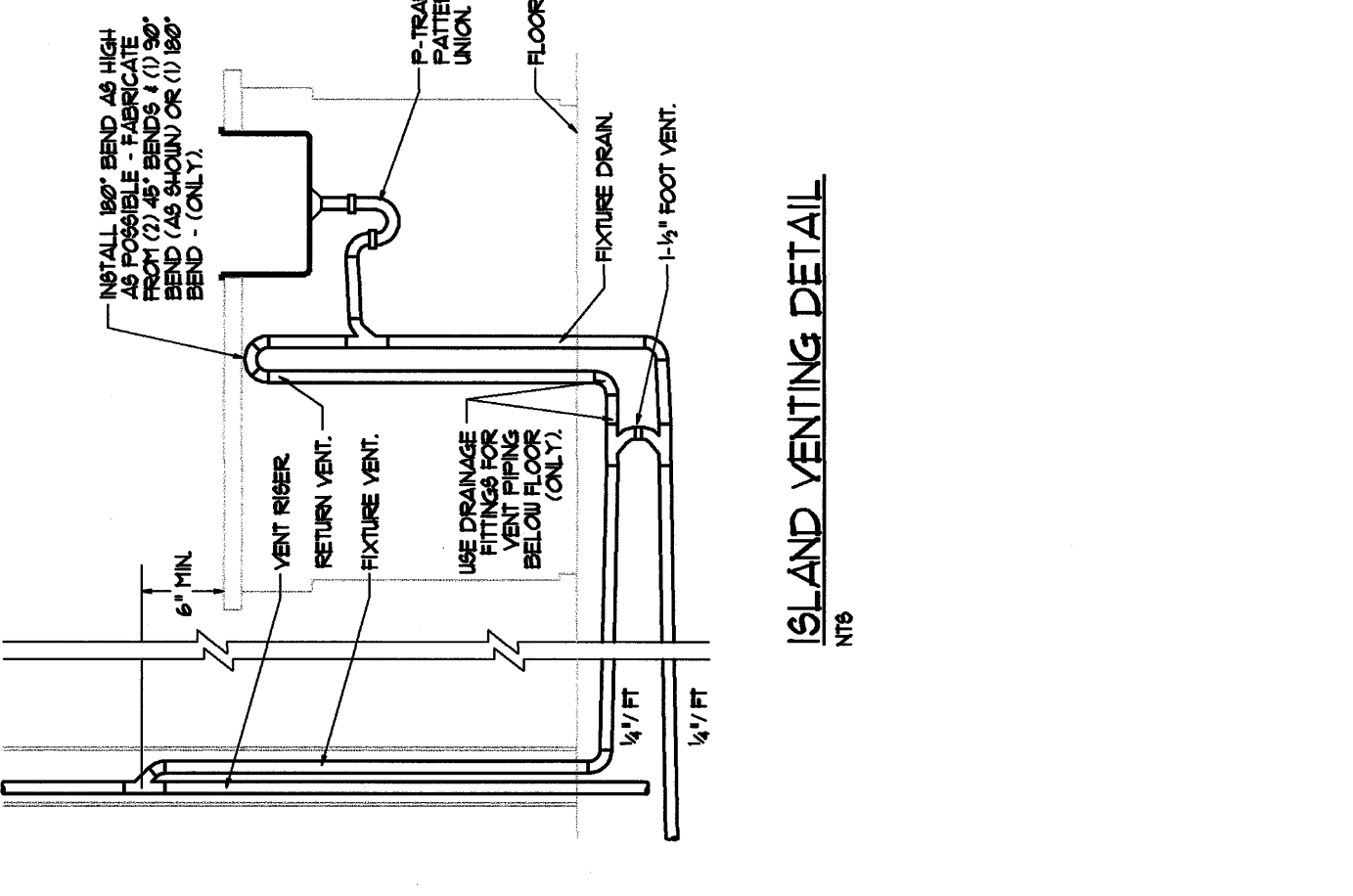
LOWER DETAIL WITH DUCT FRONT ABOVE
 NOTE: - DIMENSION 'A' IS LESS THAN 1/4" INCH.
 NOTE: - SEE FOOTNOTED LOWER DETAIL THIS SHEET.



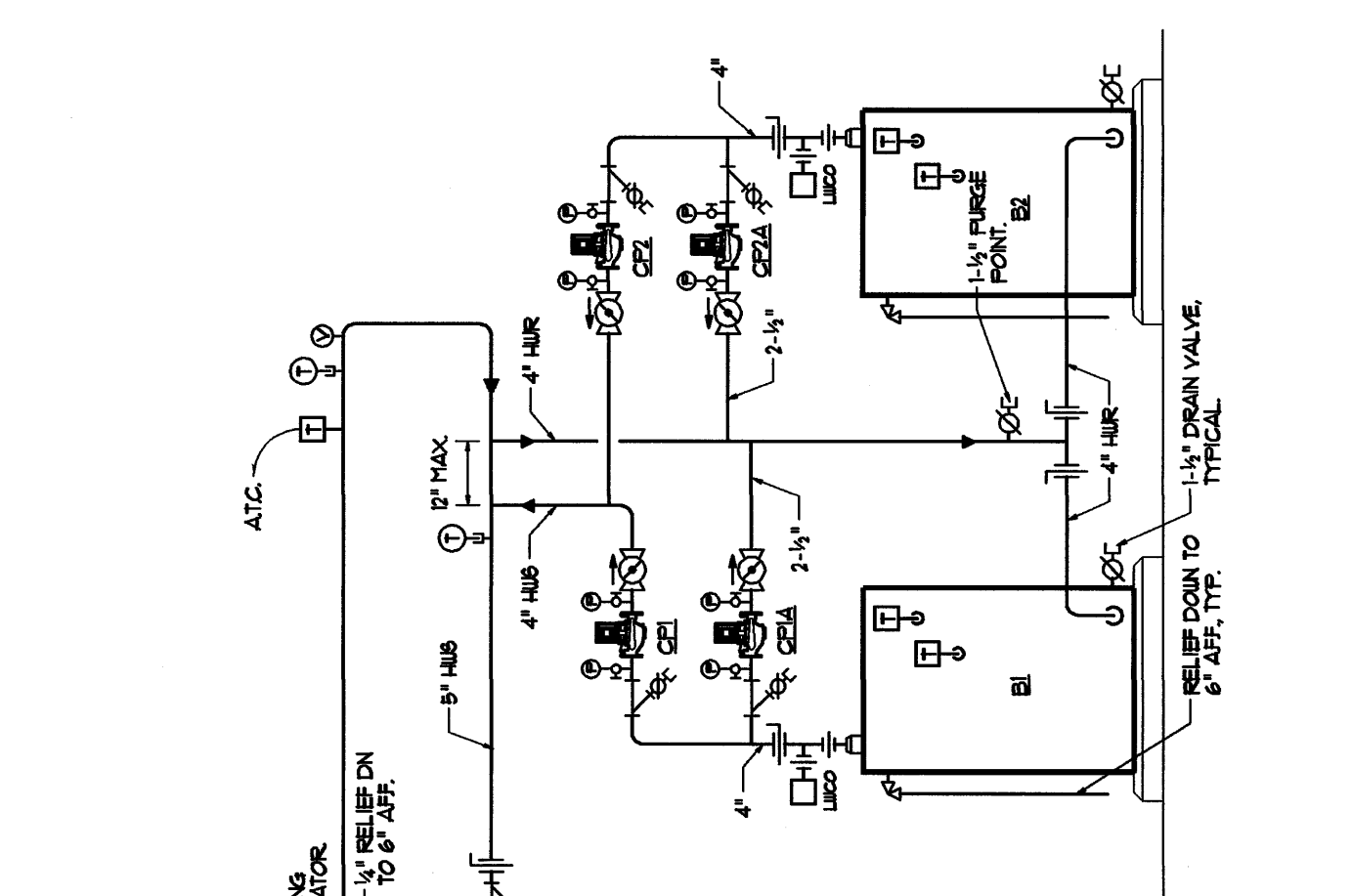
LOWER DETAIL WITH DUCT FRONT BELOW
 NOTE: - DIMENSION 'A' IS LESS THAN 1/4" INCH.
 NOTE: - SEE FOOTNOTED LOWER DETAIL THIS SHEET.



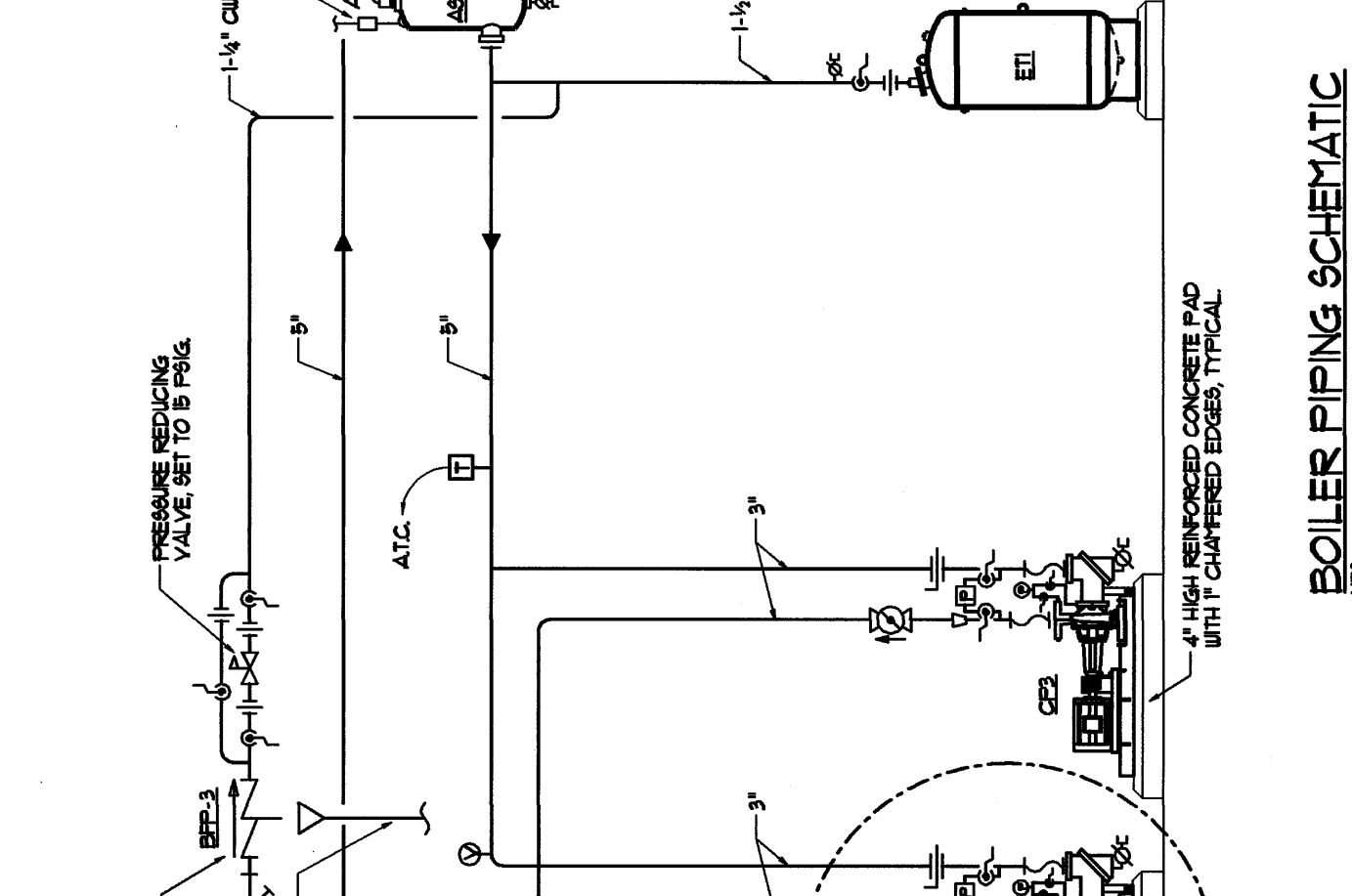
MODIFIED LOWER DETAIL
 NOTE: - THIS DETAIL IS TYPICAL FOR EACH UNIT.
 SEE SECTION 05100 FOR PIPING CONNECTION.



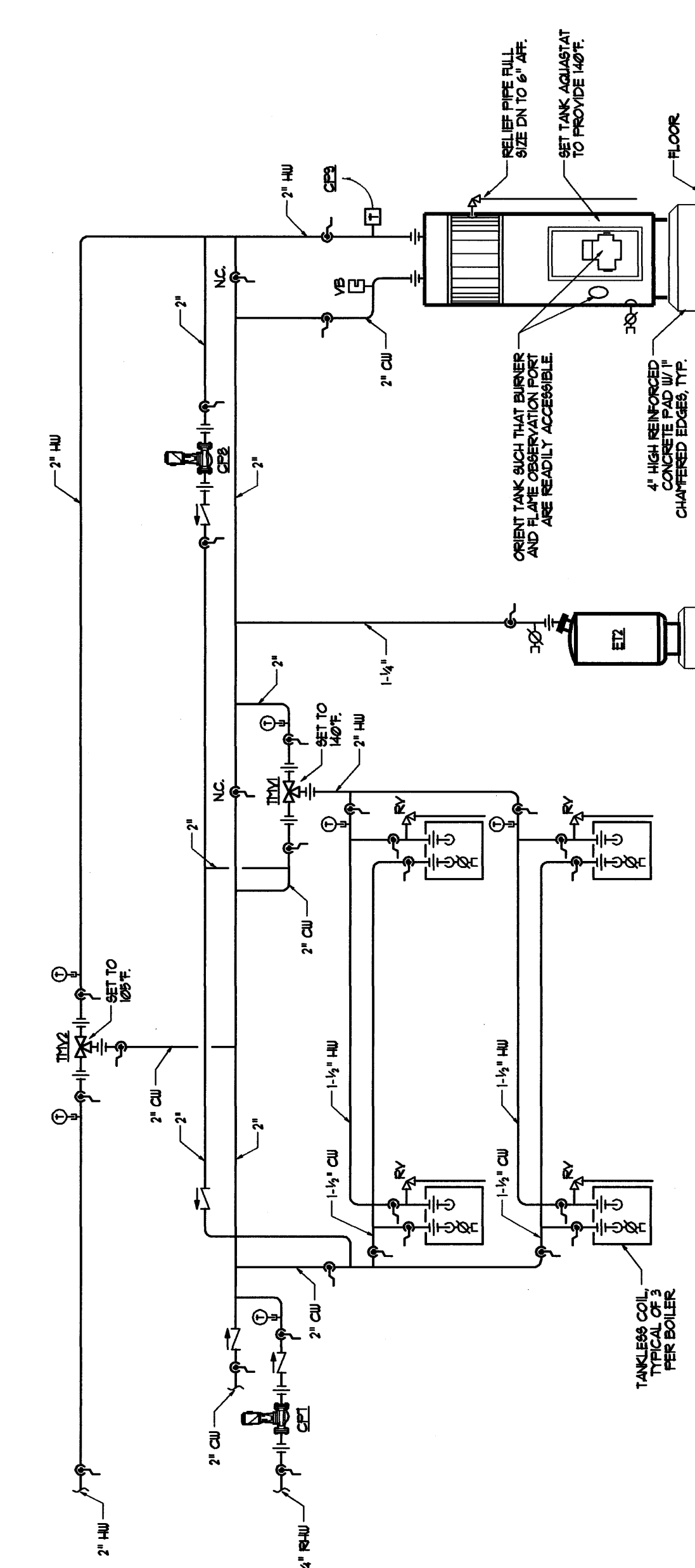
ISLAND VENTING DETAIL
 NOTE: - THIS DETAIL IS TYPICAL FOR EACH UNIT.
 SEE SECTION 05100 FOR VENTING CONNECTION.



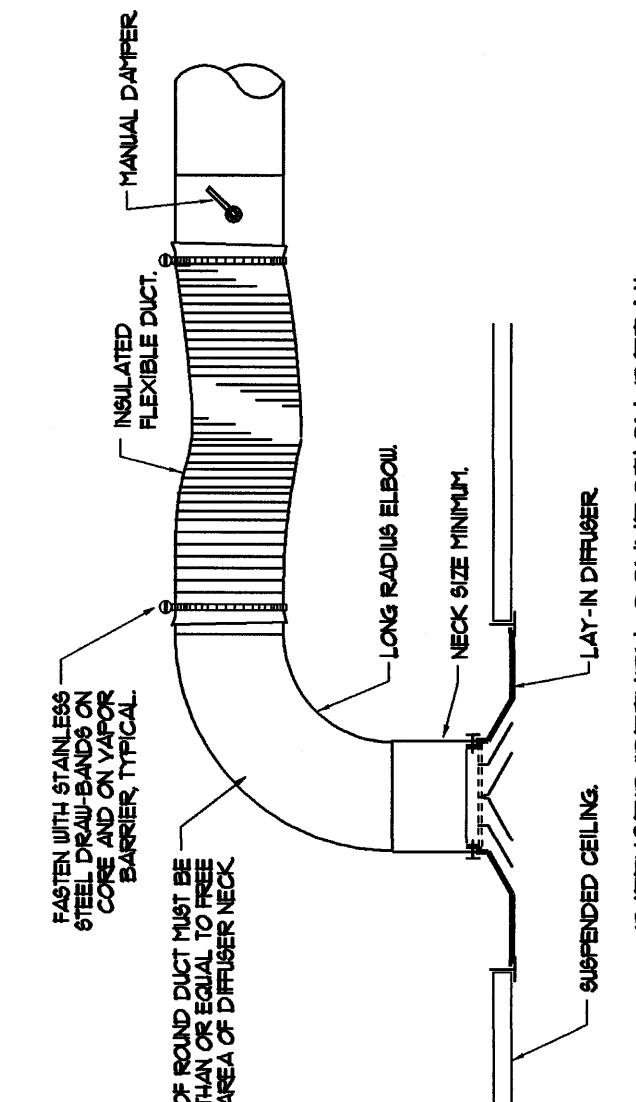
LOWER DETAIL WITH HORIZONTAL DUCT
 NOTE: - DIMENSION 'A' IS LESS THAN 1/4" INCH.
 NOTE: - SEE FOOTNOTED LOWER DETAIL THIS SHEET.



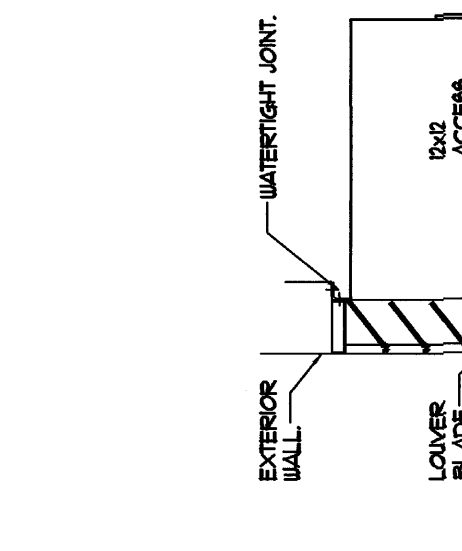
BOILER PIPING SCHEMATIC
 NOTE: - THIS DETAIL IS TYPICAL FOR EACH UNIT.
 SEE SECTION 05100 FOR PIPING CONNECTION.



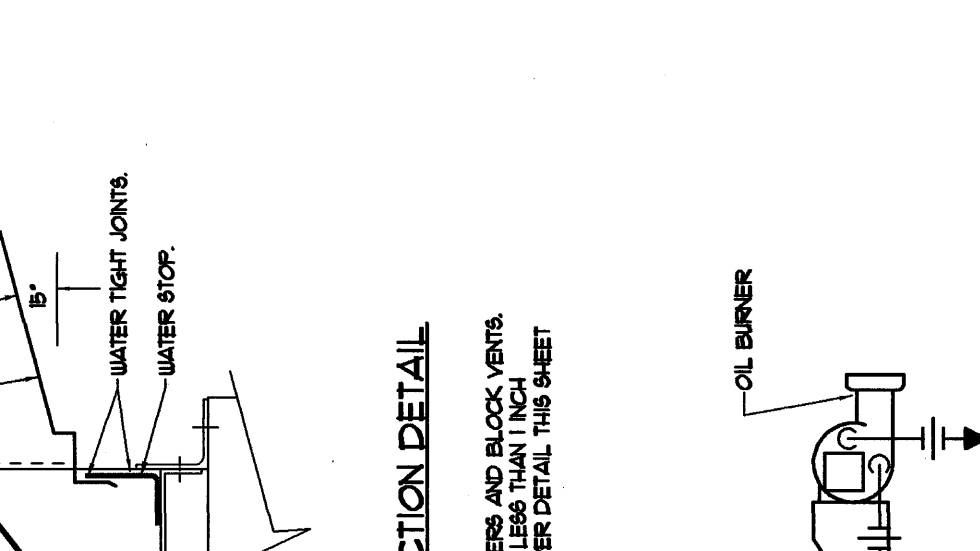
DOMESTIC HOT WATER PIPING SCHEMATIC
 NOTE: - THIS DETAIL IS TYPICAL FOR EACH UNIT.
 SEE SECTION 05100 FOR PIPING CONNECTION.



DUCT RETURN CONNECTION DETAIL
 NOTE: - THIS DETAIL IS TYPICAL FOR EACH UNIT.
 SEE SECTION 05100 FOR DUCT CONNECTION.



LOWER CONNECTION DETAIL
 NOTE: - THIS DETAIL IS TYPICAL FOR EACH UNIT.
 SEE SECTION 05100 FOR LOWER CONNECTION.



PIPING DETAIL AT OIL BUSINESS
 NOTE: - THIS DETAIL IS TYPICAL FOR EACH UNIT.
 SEE SECTION 05100 FOR PIPING CONNECTION.

East End Elementary School
 Portland Public Schools
 Portland, Maine

Job No.: 0009
 Date: 08/26/2015
 Scale: 1/8" = 1'-0"
 Drawn by: SP Doon
 Checked by: SP Doon

Consultants:
 DALLAS-HOFFMAN ASSOCIATES
 Mechanical Engineer
 Carollo Associates
 PINKHAM & GREER
 Mechanical Engineer
 Bennett Engineering
 Electrical Engineer
 Bartlett Design
 TJM Consulting
 Fire Solutions

M10

10 Denmark Street
 Post Office Box
 583 075
 Portland, ME
 04112-2355
 Maine
 207.763.1911
 207.763.1108
 info@dallashoffman.com