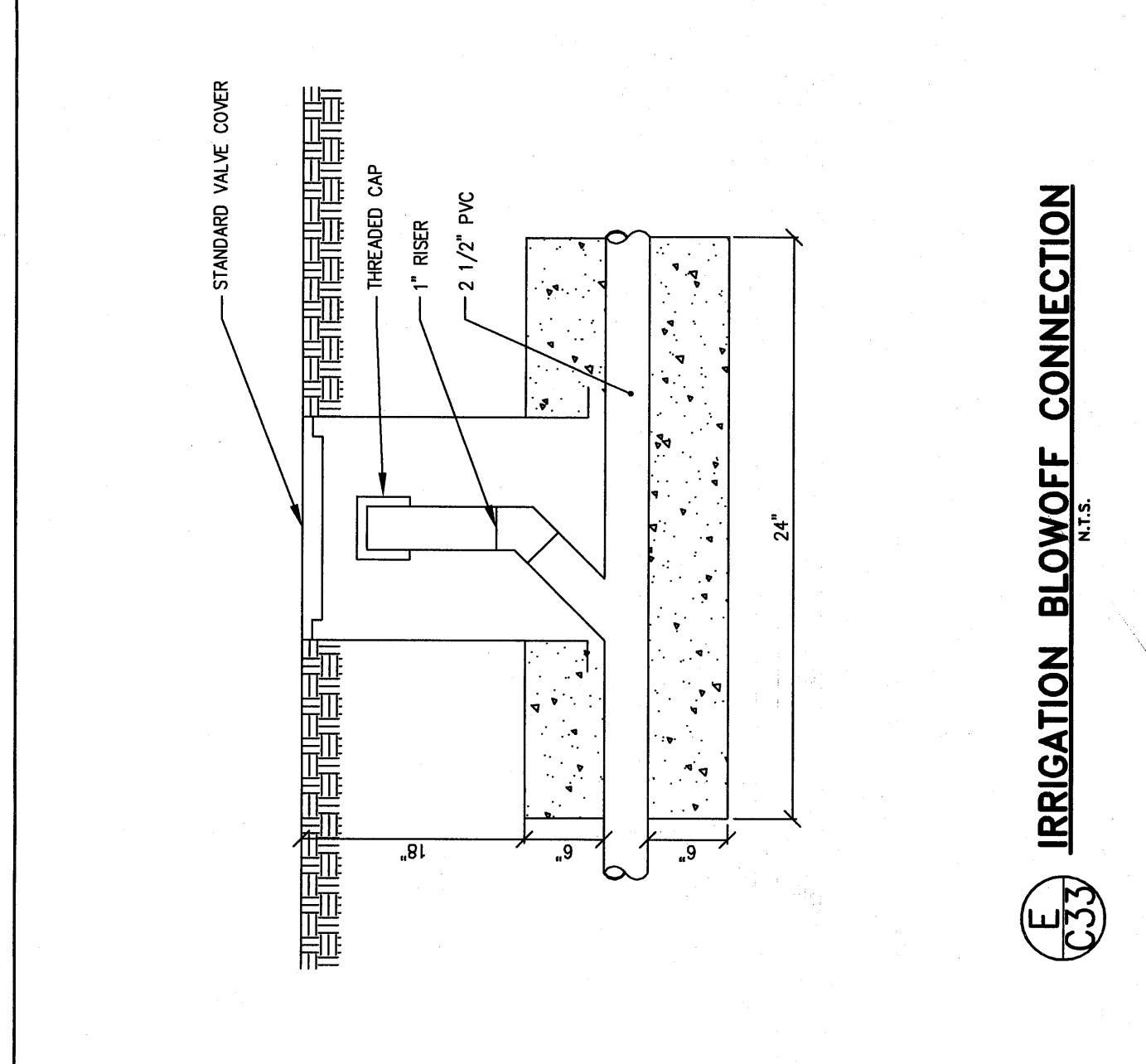
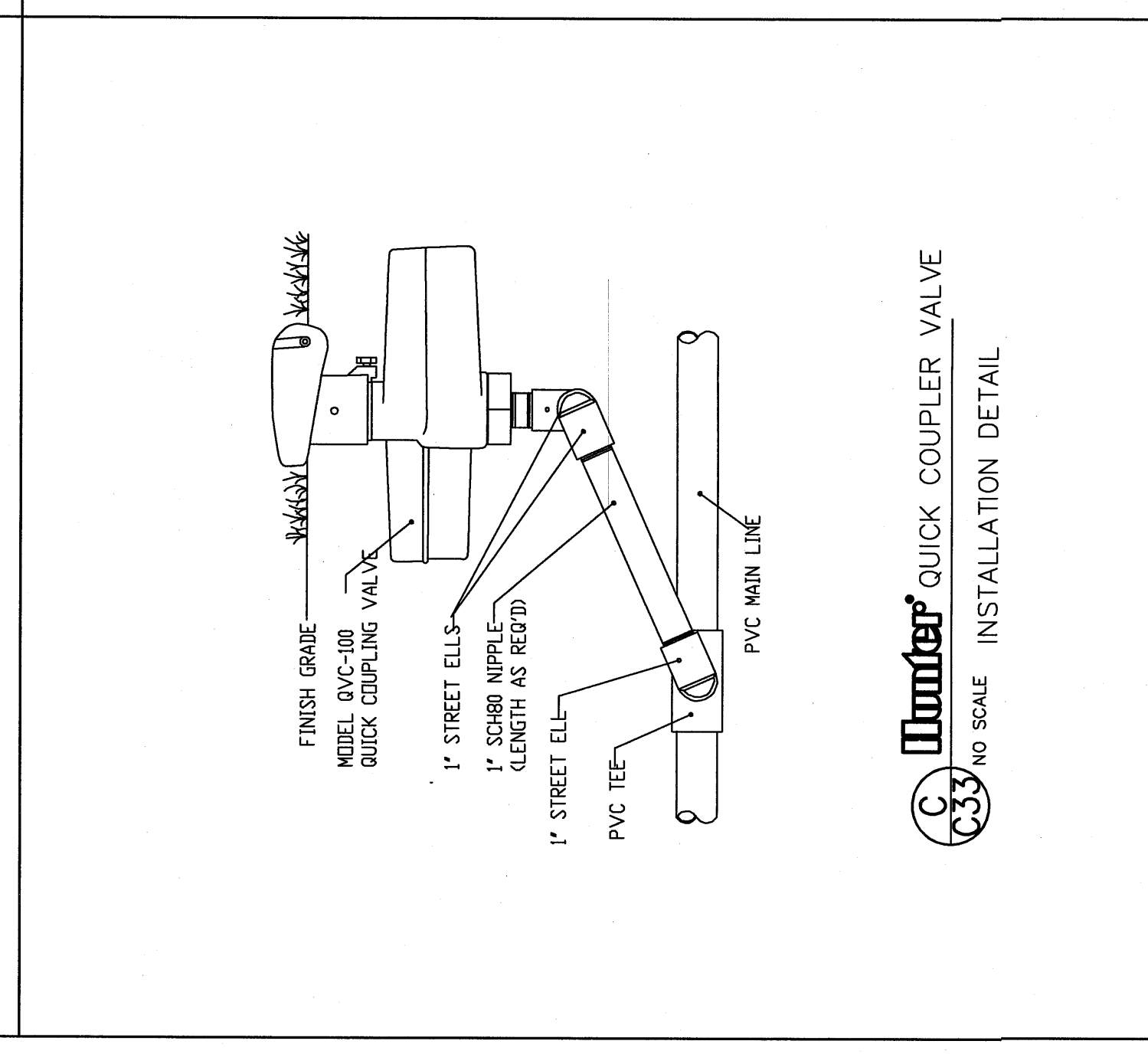
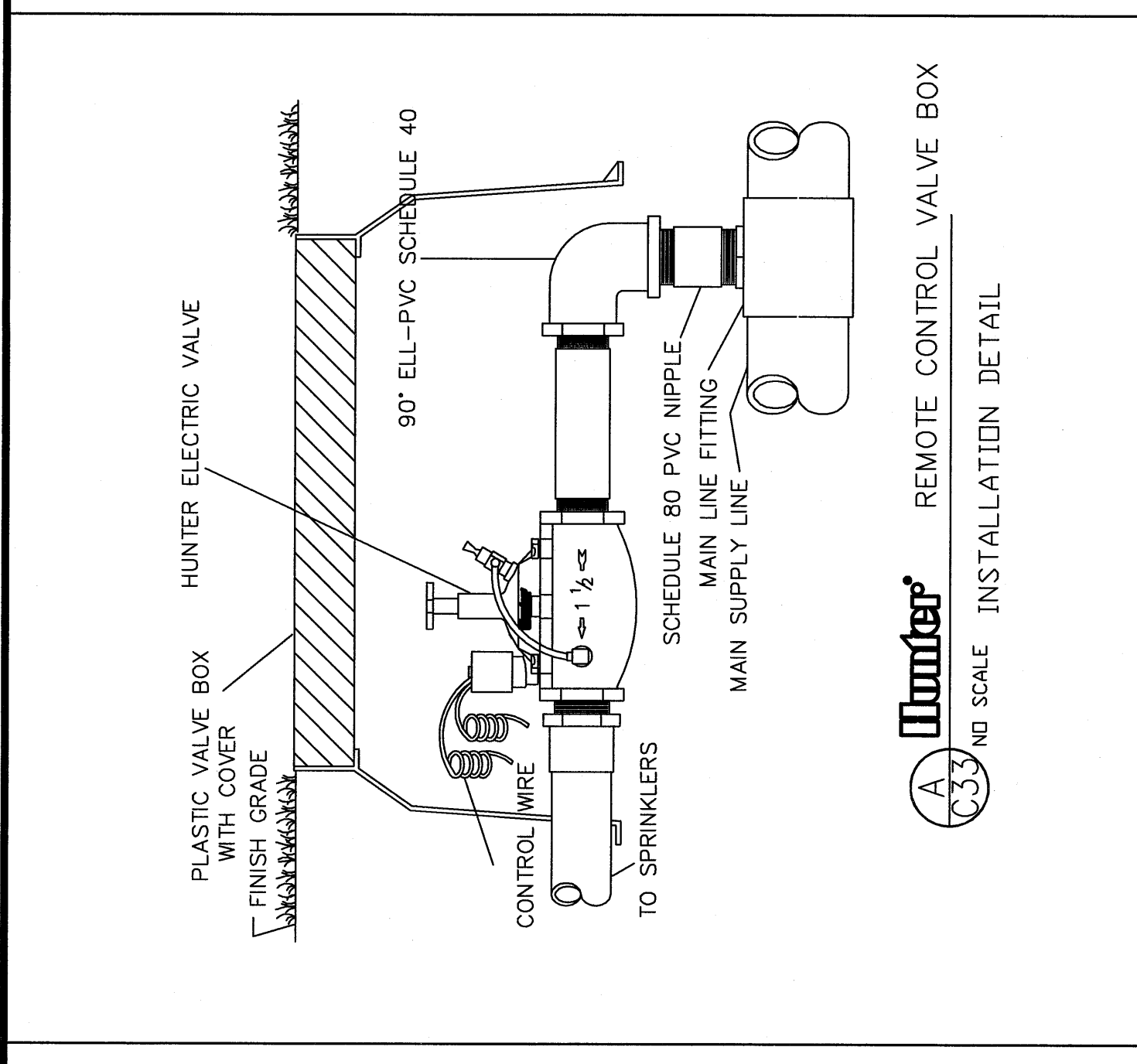
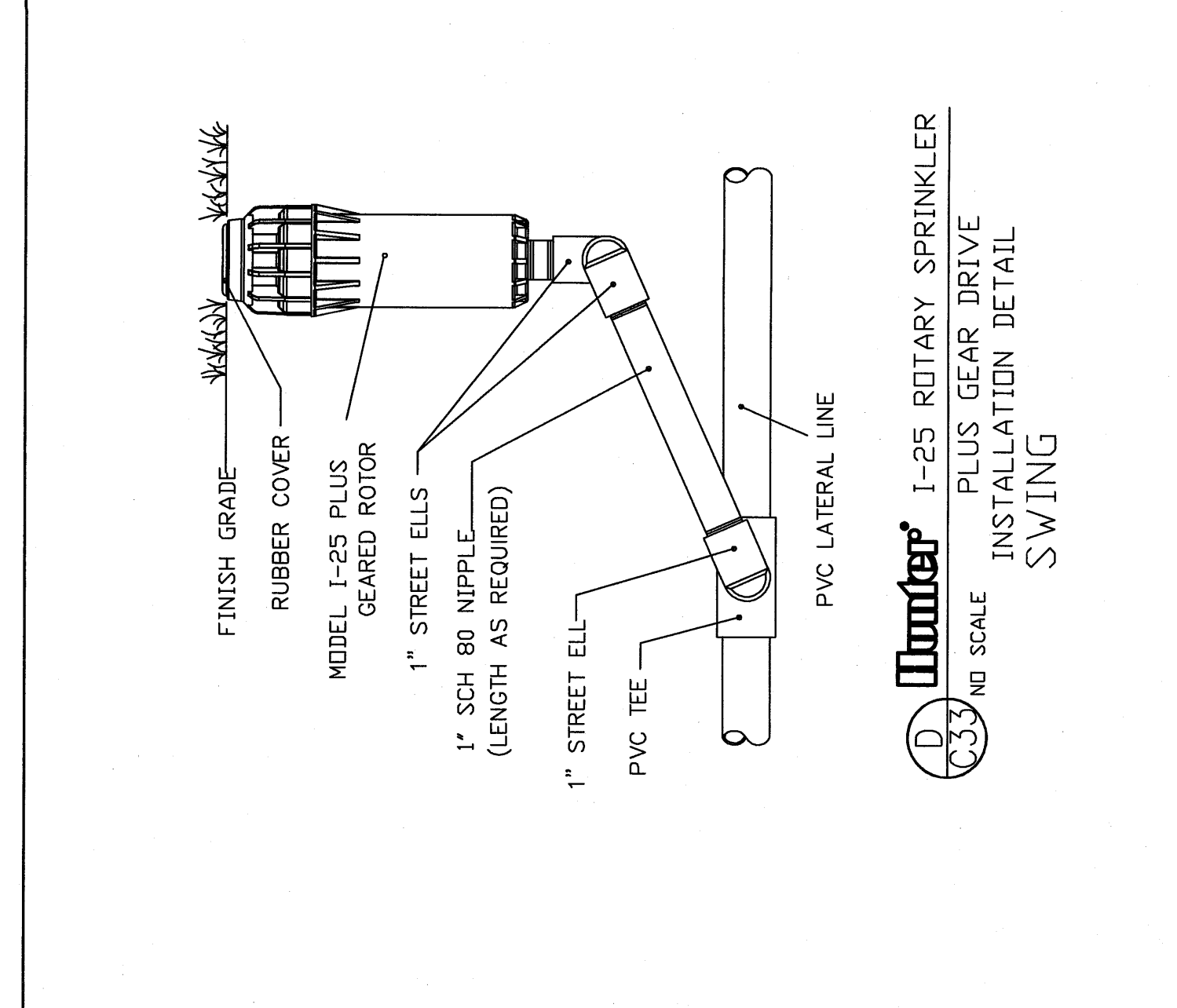
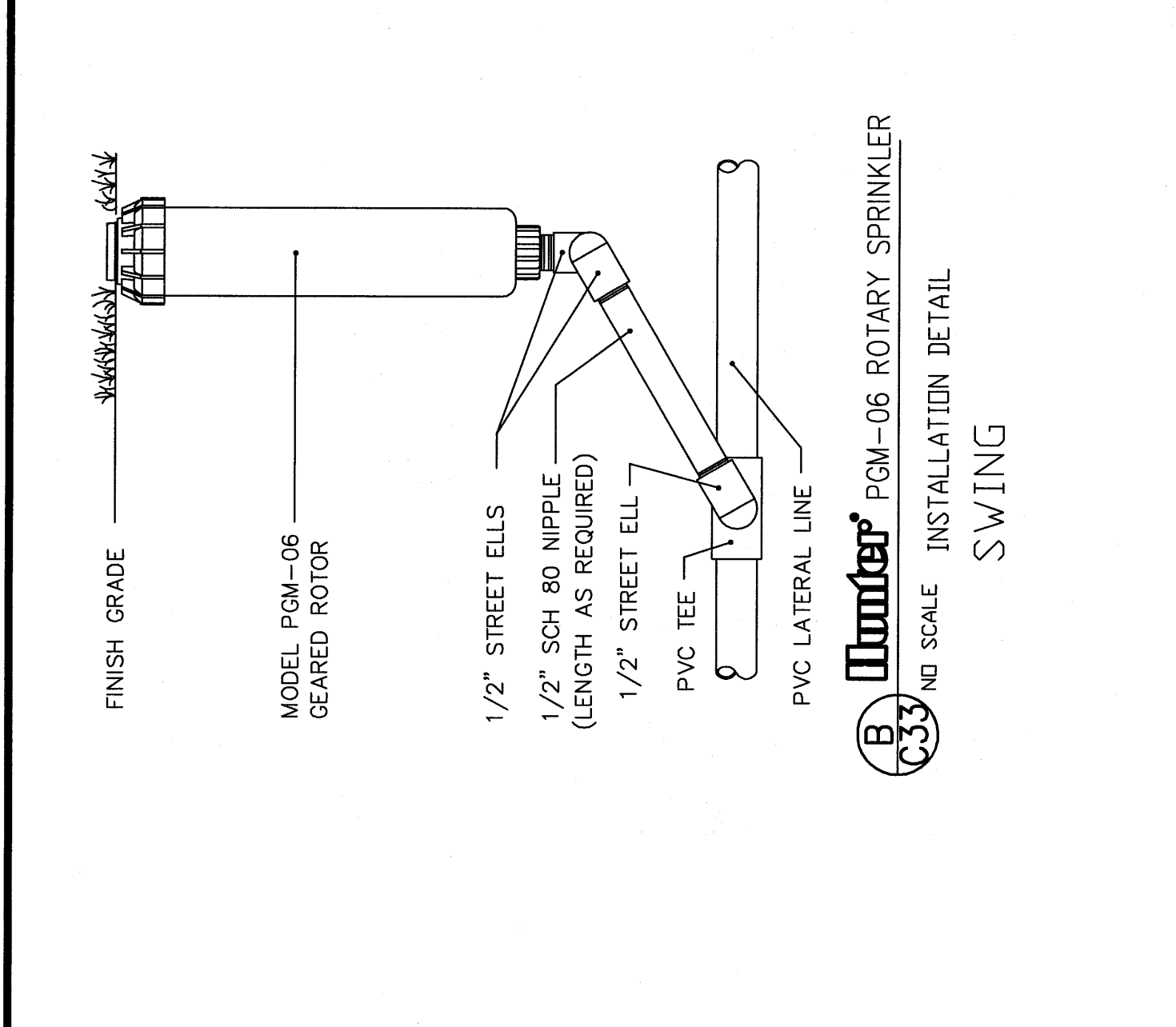


**IRRIGATION LEGEND**

DESCRIPTION	PSI	GPM
HUNTER I-25-30S-18 FULL CIRCLE	60	15.7
HUNTER I-25-40S-18 PART CIRCLE	60	15.7
HUNTER I-25-40S-10 PART CIRCLE	60	12.0
HUNTER PGM-06-A WITH 1.5 NOZZLE	80	1.5
HUNTER PGM-06-A WITH 2.0 NOZZLE	80	2.0
HUNTER IGV-15IG-4S-AS REMOTE CONTROL VALVE		
QUICK COUPLER VALVE - (OPTIONAL)		
GATE VALVE FOR MAINLINE ISOLATION (LINE SIZE)		
INSTALL AT 18" DEPTH (PVC CLASS 160)		
INSTALL AT 12" DEPTH (PVC CLASS 200)		
PRESSURE PIPE (PVC CLASS 200)		
ALL 2" AND 1 1/2" PIPE INSTALL AT 18" DEPTH		
BACKFLOW PREVENTION DEVICE - (IN BUILDING - AND FOR SAFETY)		
(AS REQUIRED PER CODE AND/OR ORDINANCE - AND FOR SAFETY)		
HUNTER ICC IRRIGATION CONTROLLER		
(NOT SHOWN - LOCATION TO BE INSIDE OF MECHANICAL ROOM)		



**East End Elementary School**  
Portland Public Schools  
Portland, Maine

Project: 1-25-40S-18 PART CIRCLE  
Date: March 22, 2014  
Drawn by: [Signature]  
Checked by: [Signature]  
Design Title: Irrigation Plan and Details

Consultants:  
Civil Engineer  
Landscape Architect  
Control Associates  
Standard Engineer  
Plumbers & Gas  
Mechanical Engineer  
Barnett Engineering  
Electrical Engineer  
Barnett Design  
T.M. Collins  
General Contractor  
Fire Solutions

10 Durham Street  
Portland, ME 04103  
Tel: 207.781.5111  
Fax: 207.781.7106  
www.dh-engineers.com

**C-33**

**WILLIAM WILSON & ASSOCIATES**  
1111 BROADWAY  
PORTLAND, ME 04103  
P.E. WILLIAM D. HOFFMAN

10 Durham Street  
Portland, ME 04103  
Tel: 207.781.5111  
Fax: 207.781.7106  
www.dh-engineers.com

**DeLuca-Hoffman Associates, Inc.**  
320 N. PORTLAND, ME 04106  
www.dh-engineers.com

**GRAPHIC SCALE**  
1 inch = 20 ft.  
(IN FEET)

**IRRIGATION LEGEND**

DESCRIPTION	PSI	GPM
HUNTER I-25-30S-18 FULL CIRCLE	60	15.7
HUNTER I-25-40S-18 PART CIRCLE	60	15.7
HUNTER I-25-40S-10 PART CIRCLE	60	12.0
HUNTER PGM-06-A WITH 1.5 NOZZLE	80	1.5
HUNTER PGM-06-A WITH 2.0 NOZZLE	80	2.0
HUNTER IGV-15IG-4S-AS REMOTE CONTROL VALVE		
QUICK COUPLER VALVE - (OPTIONAL)		
GATE VALVE FOR MAINLINE ISOLATION (LINE SIZE)		
INSTALL AT 18" DEPTH (PVC CLASS 160)		
INSTALL AT 12" DEPTH (PVC CLASS 200)		
PRESSURE PIPE (PVC CLASS 200)		
ALL 2" AND 1 1/2" PIPE INSTALL AT 18" DEPTH		
BACKFLOW PREVENTION DEVICE - (IN BUILDING - AND FOR SAFETY)		
(AS REQUIRED PER CODE AND/OR ORDINANCE - AND FOR SAFETY)		
HUNTER ICC IRRIGATION CONTROLLER		
(NOT SHOWN - LOCATION TO BE INSIDE OF MECHANICAL ROOM)		