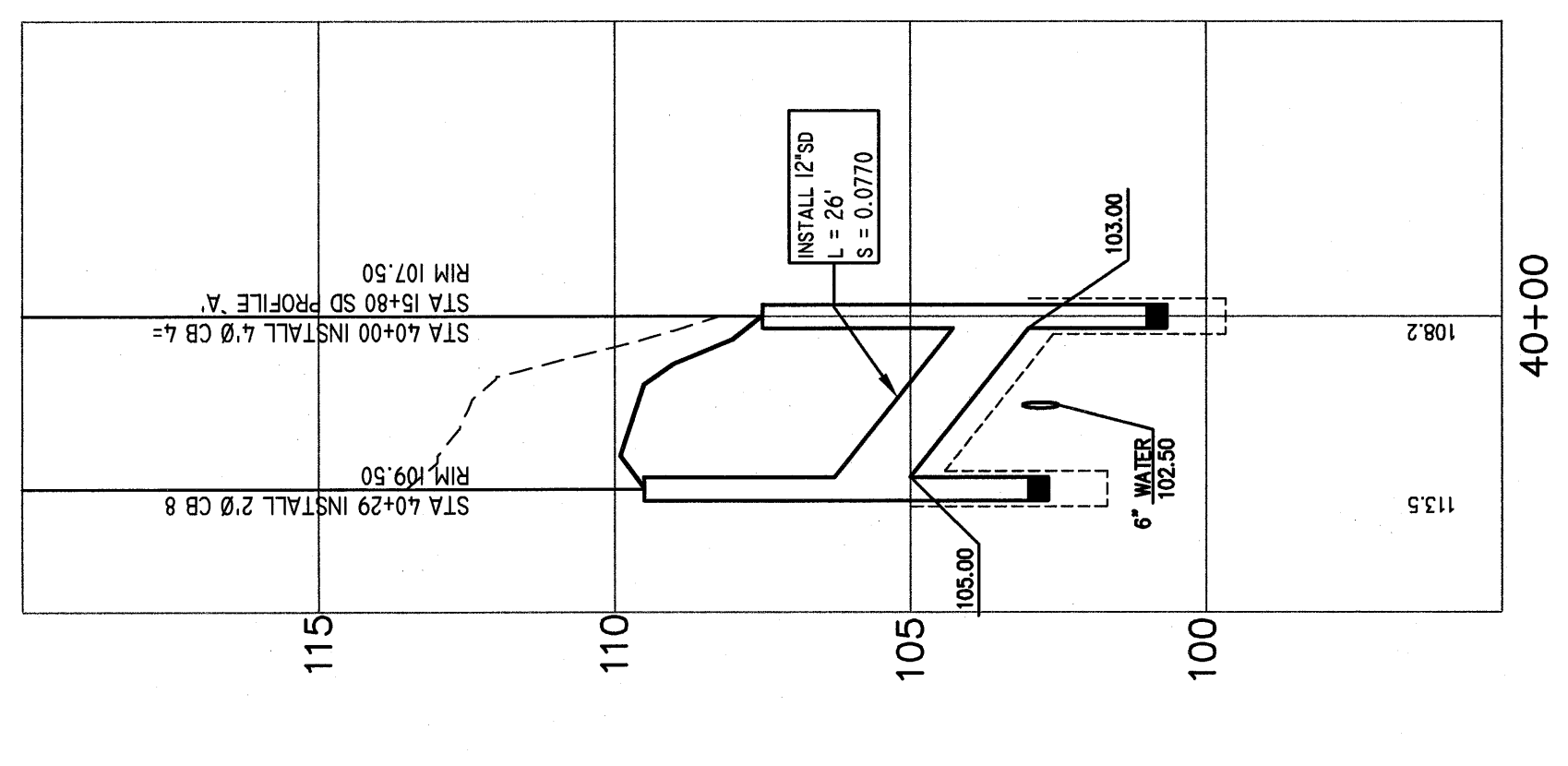
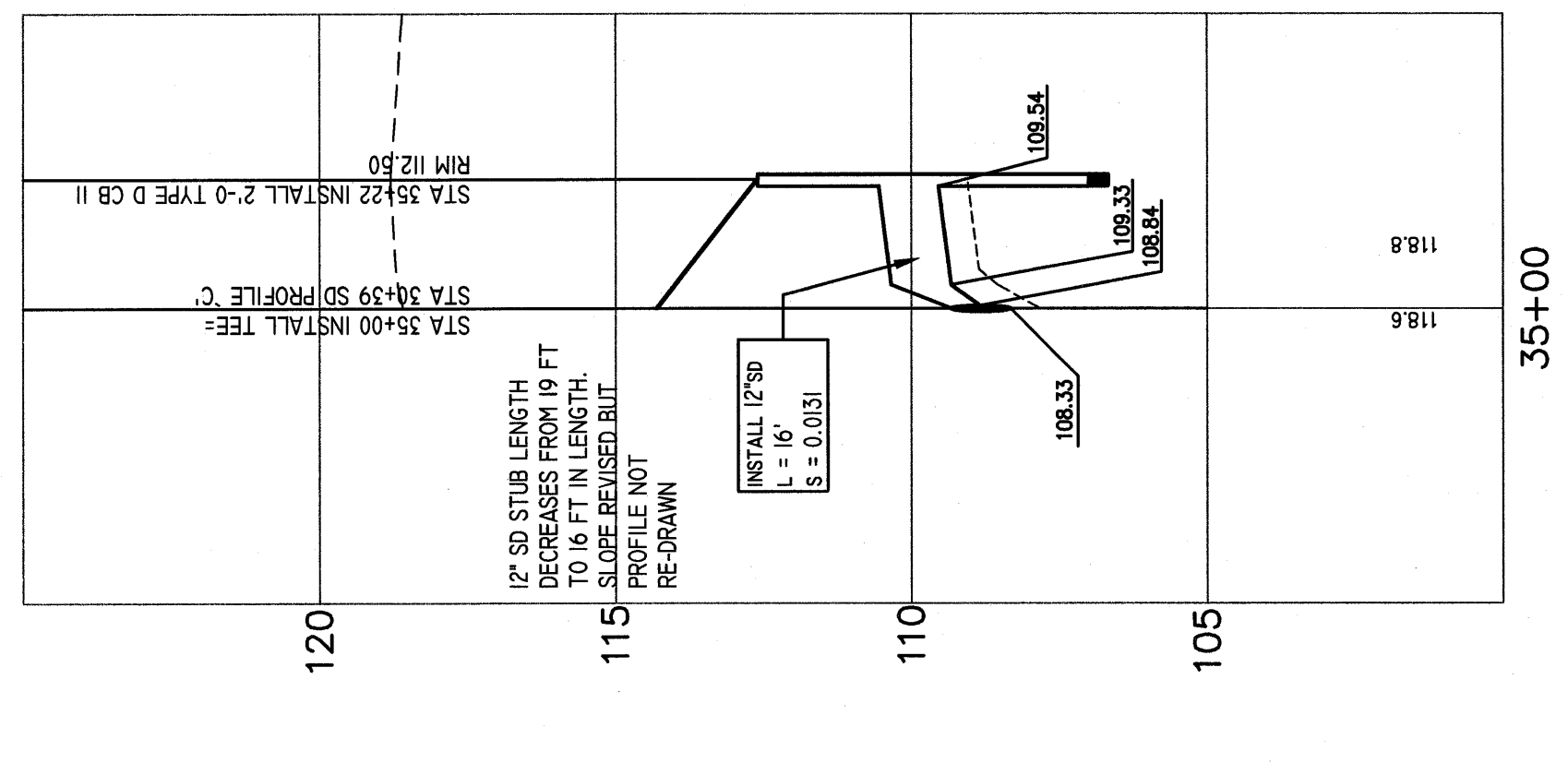


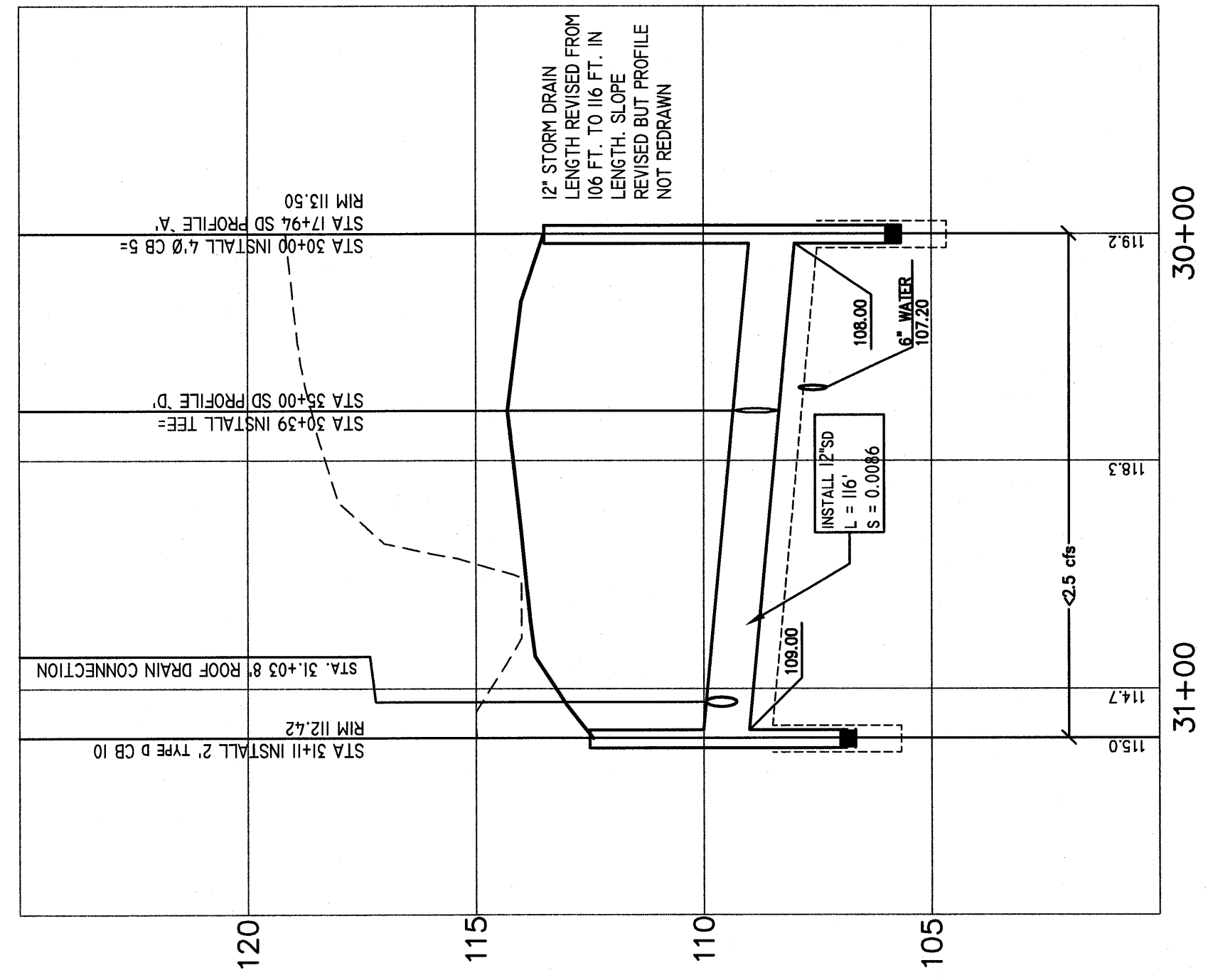
**NOTE: ROOF DRAIN LEADERS AND UNDERDRAINS ARE NOT PROFILED**



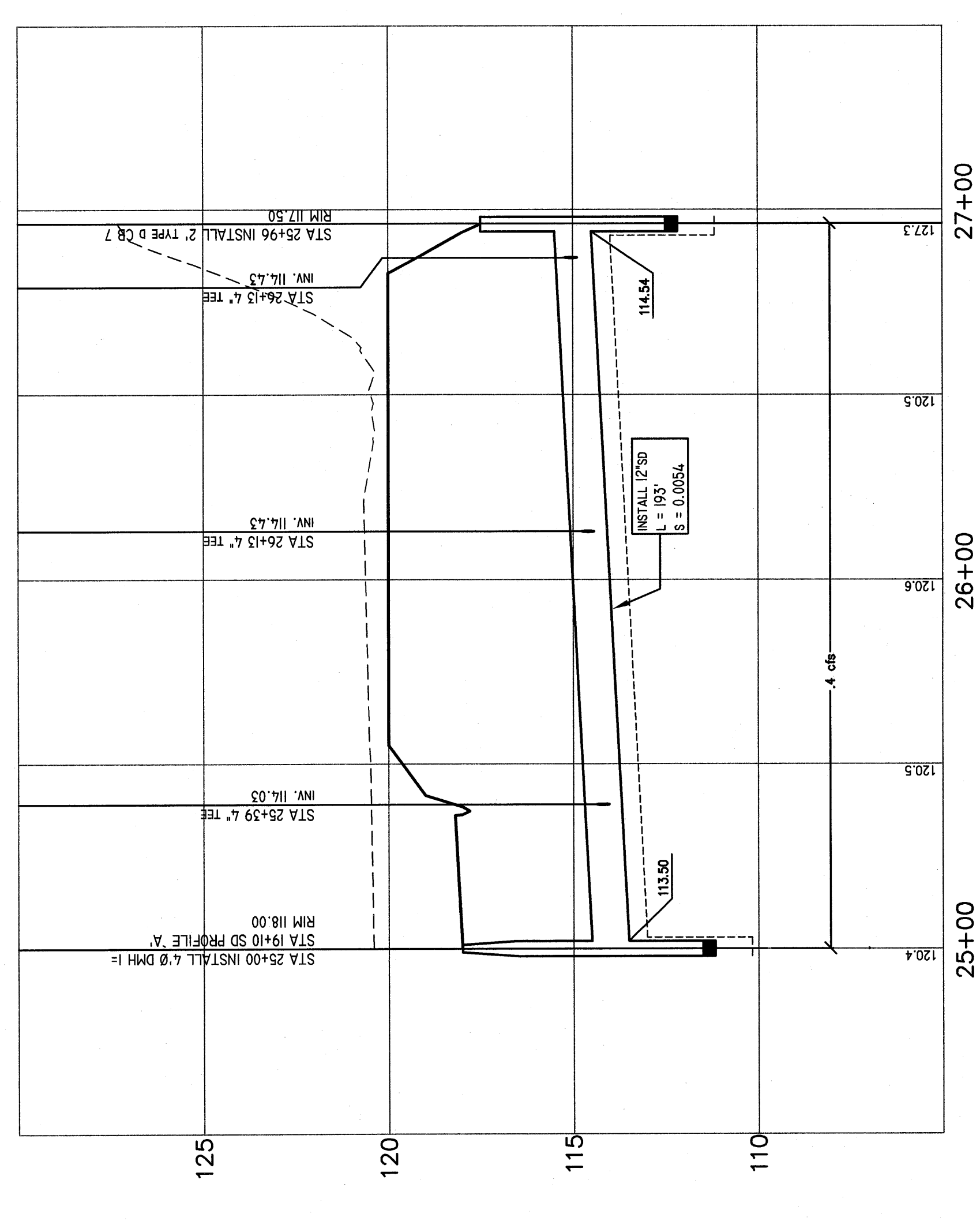
**STORM DRAIN PROFILE 'E'**  
SCALE: 1"=30' HORIZ., 1"=3' VERT.



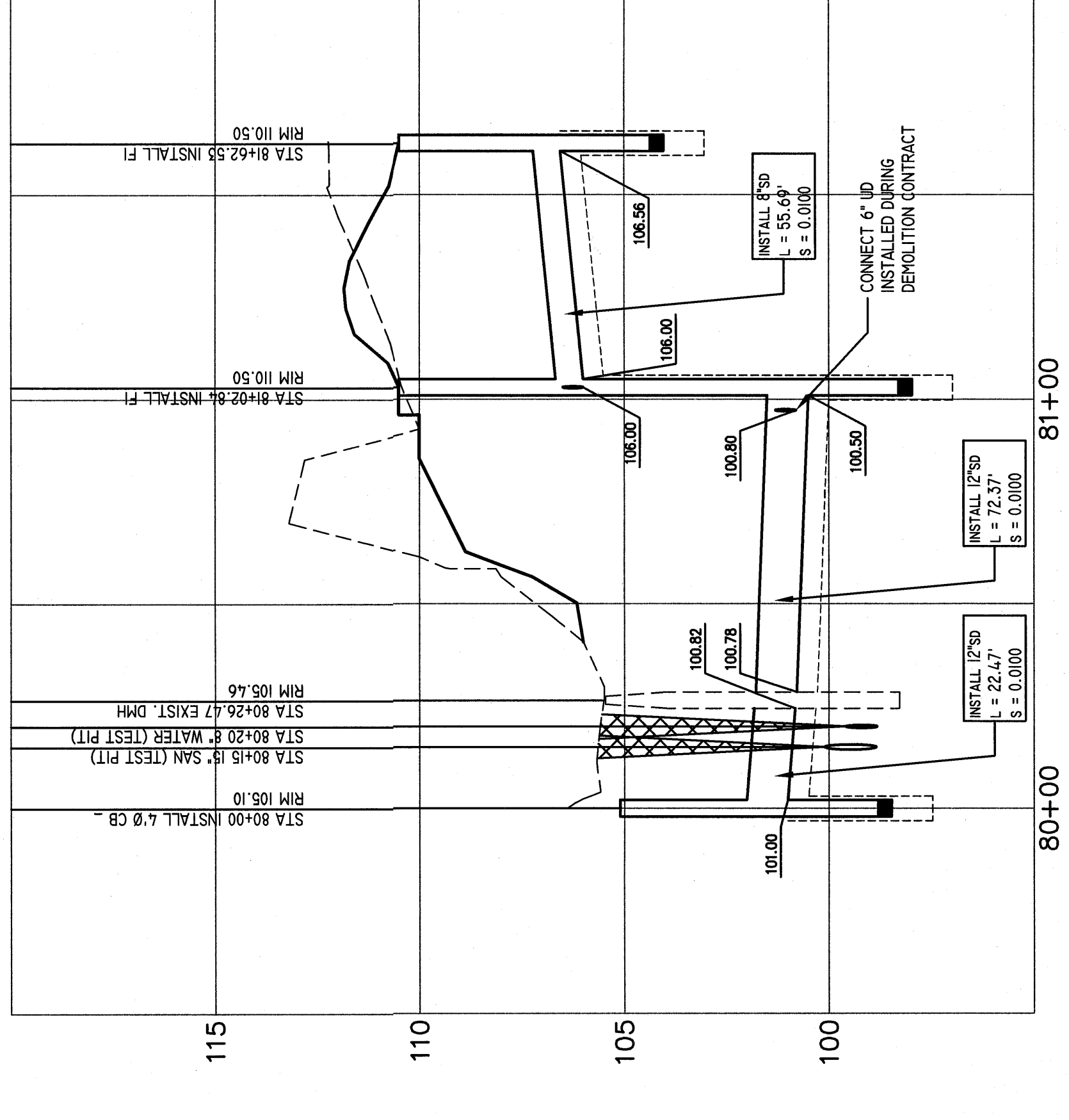
**STORM DRAIN PROFILE 'D'**  
SCALE: 1"=30' HORIZ., 1"=3' VERT.



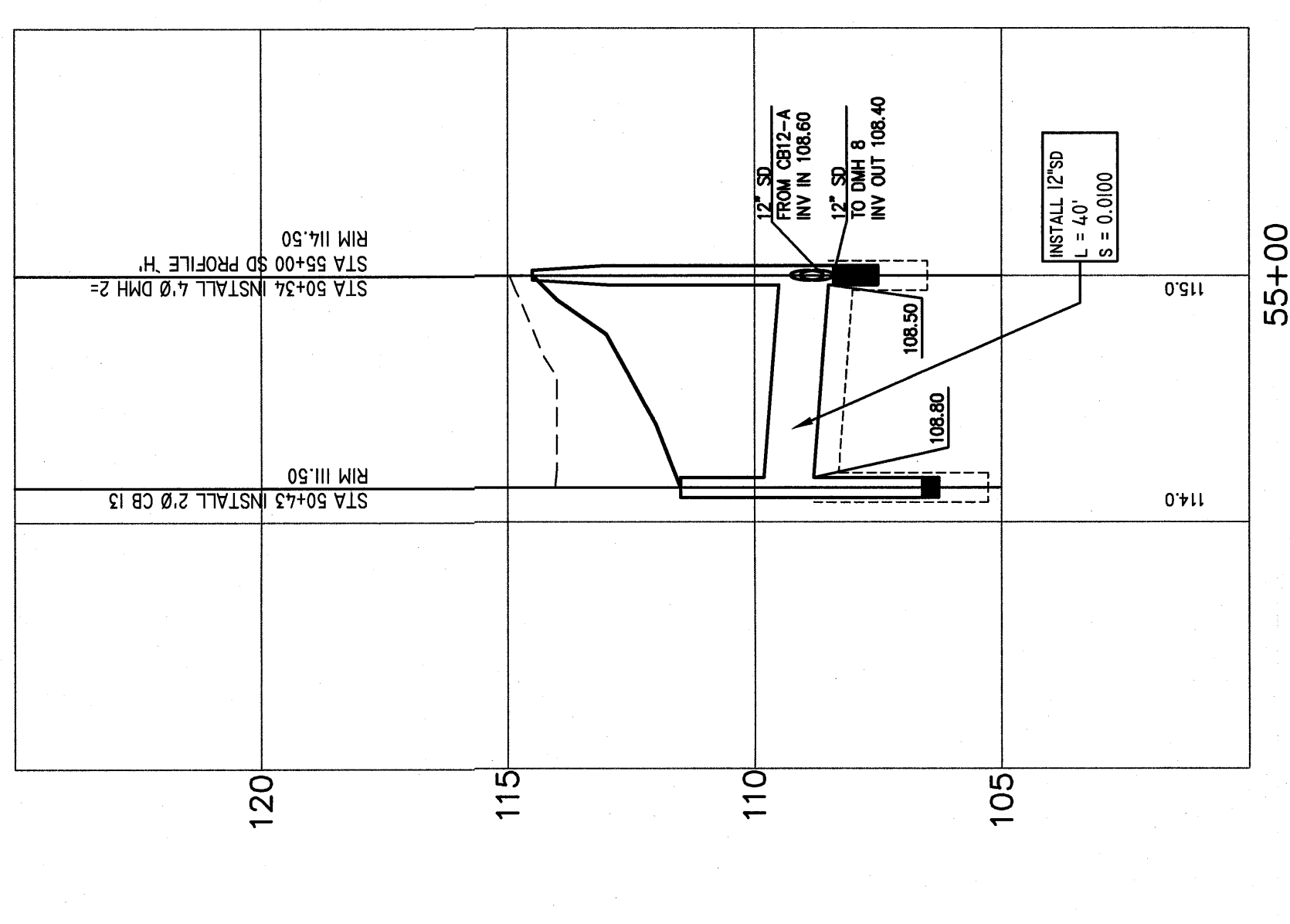
**STORM DRAIN PROFILE 'C'**  
SCALE: 1"=30' HORIZ., 1"=3' VERT.



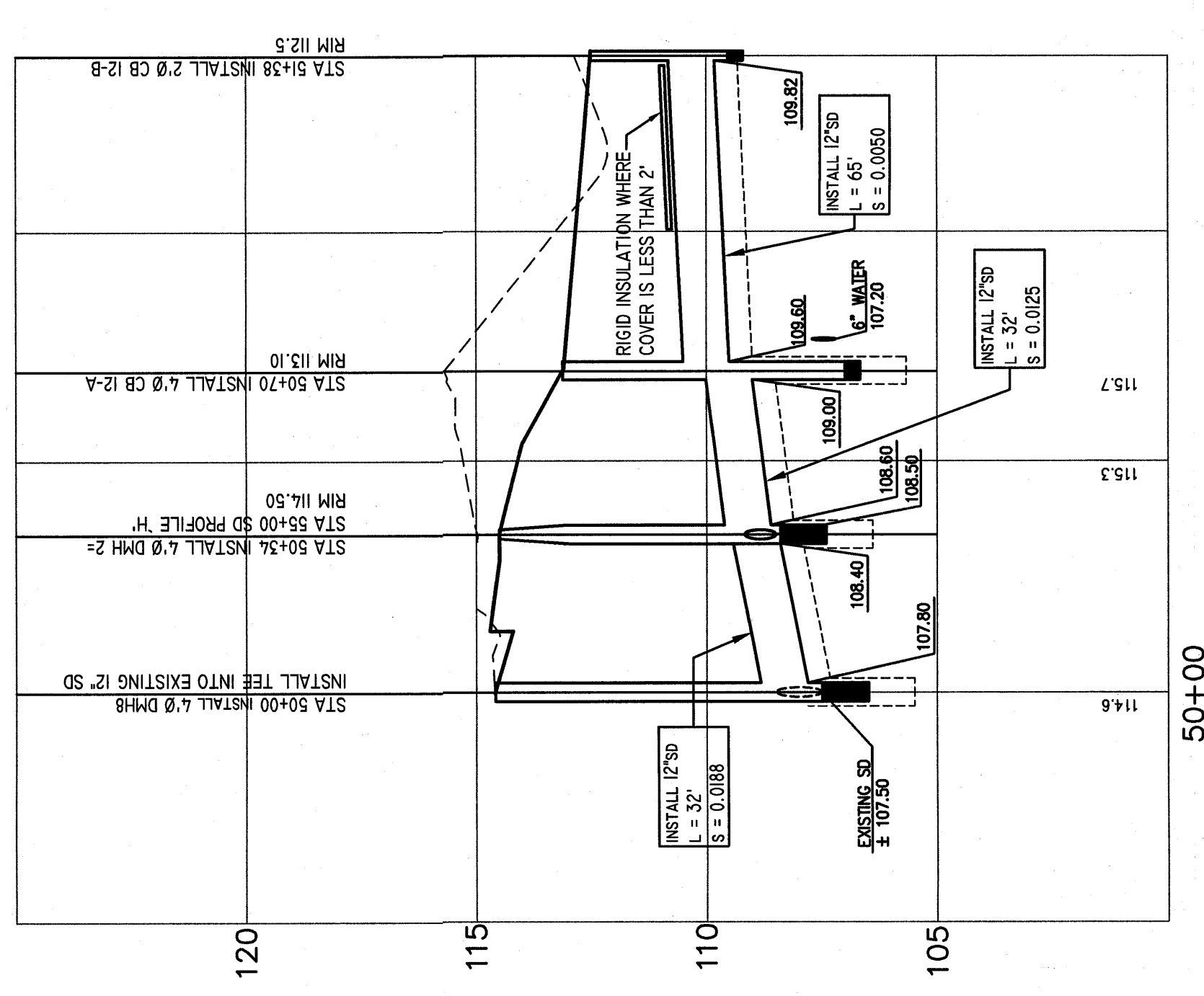
**STORM DRAIN PROFILE 'B'**  
SCALE: 1"=30' HORIZ., 1"=3' VERT.



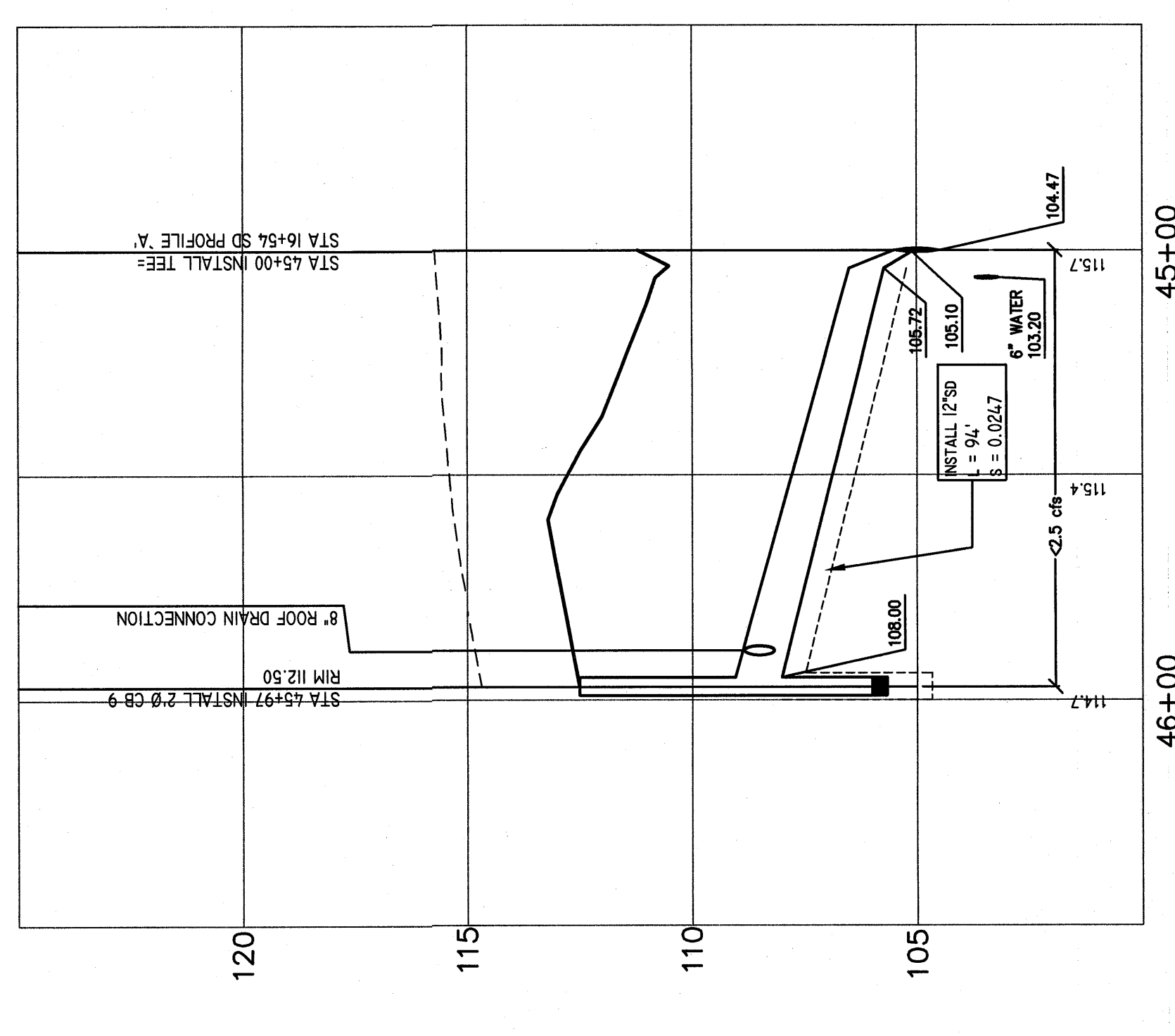
**STORM DRAIN PROFILE 'I'**  
SCALE: 1"=30' HORIZ., 1"=3' VERT.



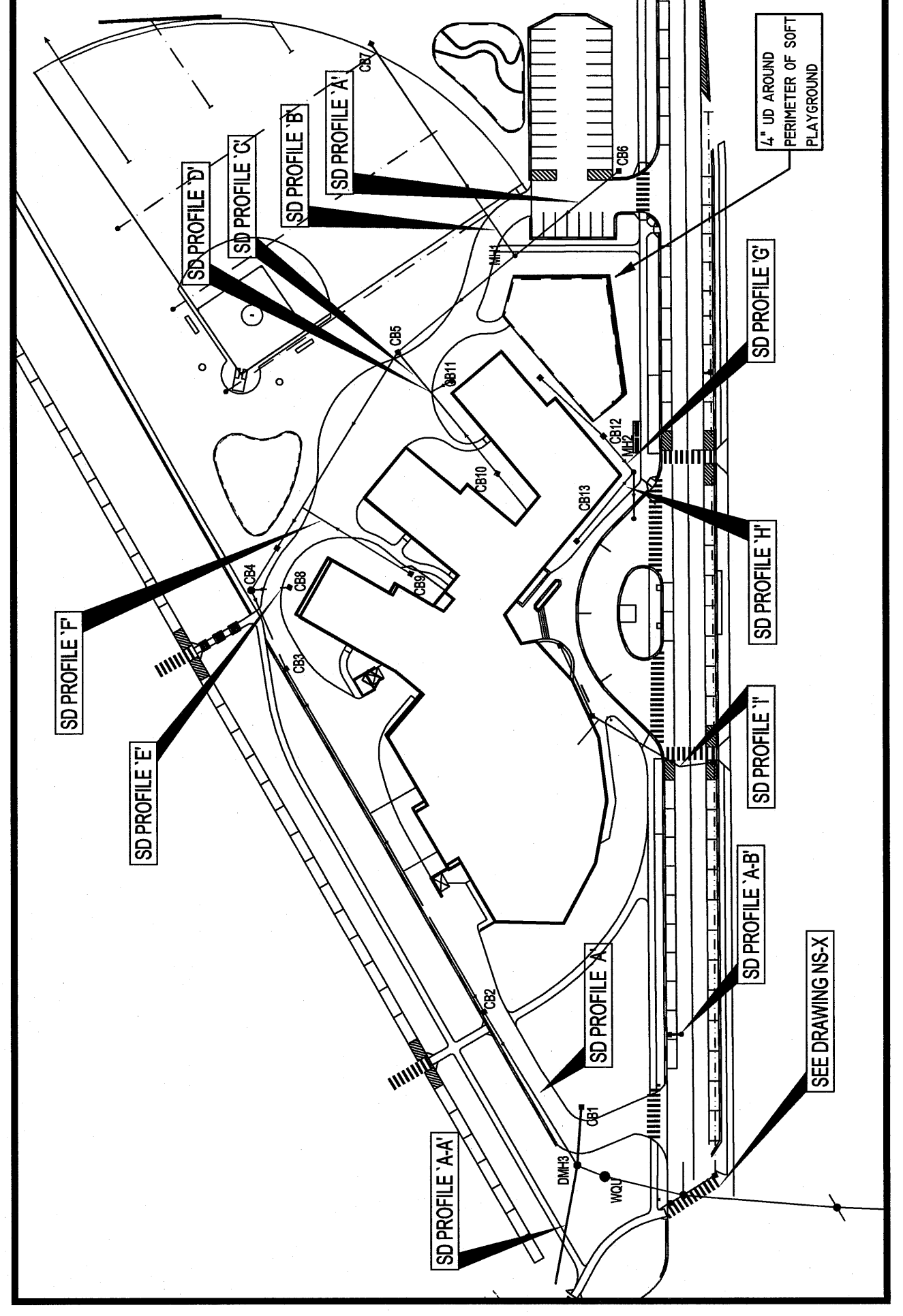
**STORM DRAIN PROFILE 'H'**  
SCALE: 1"=30' HORIZ., 1"=3' VERT.



**STORM DRAIN PROFILE 'G'**  
SCALE: 1"=30' HORIZ., 1"=3' VERT.



**STORM DRAIN PROFILE 'F'**  
SCALE: 1"=30' HORIZ., 1"=3' VERT.



**ORIENTATION PLAN**  
N.T.S.

	<b>East End Elementary School</b> Portland, Maine	Job No.: 2770 Date: March 22, 2004 Scale: As Shown Checked by: C. Kelly, W.P. Drawn by: The Storm Drain Profiles	
	Deluca-Hoffman Associates Chief Engineer Landscape Architect Civil Engineer Surveyor Mechanical Engineer Structural Engineer Electrical Engineer Architectural Designer Interior Designer T.M. Consulting Green Consultant Fire Solutions	15 Duane Street Portland, Maine 04108-3882 Tel: 207.753.9191 Fax: 207.753.9195 Email: info@delucahoffman.com	

**Deluca-Hoffman**  
 15 Duane Street  
 Portland, ME 04108  
 Tel: 207.753.9191  
 Fax: 207.753.9195  
 Email: info@delucahoffman.com

**C-27**