

**DIRTBAG**  
PLAN VIEW

**SECTION VIEW**  
1/4" THICKNESS OF 3/4" CRUSHED STONE

1. PLACE CONCRETE BLOCKS LONGERWAYS ON THEIR LONGER SIDES TO FORM A CURB AT THE TOP OF THE DITCH. THE CURB SHALL BE 4" HIGH AND 6" WIDE. THE CURB SHALL BE REINFORCED WITH 2 #4 REBARS (SEE DETAIL C-16) AND SHALL BE SET IN A 4" DEEP 2" WIDE BED OF 3/4" CRUSHED STONE. THE CURB SHALL BE SET IN A 4" DEEP 2" WIDE BED OF 3/4" CRUSHED STONE. THE CURB SHALL BE SET IN A 4" DEEP 2" WIDE BED OF 3/4" CRUSHED STONE.

2. WEEDS SHALL BE REMOVED FROM THE DITCH AND THE DITCH SHALL BE REINFORCED WITH 2 #4 REBARS (SEE DETAIL C-16) AND SHALL BE SET IN A 4" DEEP 2" WIDE BED OF 3/4" CRUSHED STONE. THE CURB SHALL BE SET IN A 4" DEEP 2" WIDE BED OF 3/4" CRUSHED STONE.

3. THE CURB SHALL BE SET IN A 4" DEEP 2" WIDE BED OF 3/4" CRUSHED STONE. THE CURB SHALL BE SET IN A 4" DEEP 2" WIDE BED OF 3/4" CRUSHED STONE. THE CURB SHALL BE SET IN A 4" DEEP 2" WIDE BED OF 3/4" CRUSHED STONE.

4. THE CURB SHALL BE SET IN A 4" DEEP 2" WIDE BED OF 3/4" CRUSHED STONE. THE CURB SHALL BE SET IN A 4" DEEP 2" WIDE BED OF 3/4" CRUSHED STONE. THE CURB SHALL BE SET IN A 4" DEEP 2" WIDE BED OF 3/4" CRUSHED STONE.

5. THE CURB SHALL BE SET IN A 4" DEEP 2" WIDE BED OF 3/4" CRUSHED STONE. THE CURB SHALL BE SET IN A 4" DEEP 2" WIDE BED OF 3/4" CRUSHED STONE. THE CURB SHALL BE SET IN A 4" DEEP 2" WIDE BED OF 3/4" CRUSHED STONE.

6. THE CURB SHALL BE SET IN A 4" DEEP 2" WIDE BED OF 3/4" CRUSHED STONE. THE CURB SHALL BE SET IN A 4" DEEP 2" WIDE BED OF 3/4" CRUSHED STONE. THE CURB SHALL BE SET IN A 4" DEEP 2" WIDE BED OF 3/4" CRUSHED STONE.

7. THE CURB SHALL BE SET IN A 4" DEEP 2" WIDE BED OF 3/4" CRUSHED STONE. THE CURB SHALL BE SET IN A 4" DEEP 2" WIDE BED OF 3/4" CRUSHED STONE. THE CURB SHALL BE SET IN A 4" DEEP 2" WIDE BED OF 3/4" CRUSHED STONE.

8. THE CURB SHALL BE SET IN A 4" DEEP 2" WIDE BED OF 3/4" CRUSHED STONE. THE CURB SHALL BE SET IN A 4" DEEP 2" WIDE BED OF 3/4" CRUSHED STONE. THE CURB SHALL BE SET IN A 4" DEEP 2" WIDE BED OF 3/4" CRUSHED STONE.

9. THE CURB SHALL BE SET IN A 4" DEEP 2" WIDE BED OF 3/4" CRUSHED STONE. THE CURB SHALL BE SET IN A 4" DEEP 2" WIDE BED OF 3/4" CRUSHED STONE. THE CURB SHALL BE SET IN A 4" DEEP 2" WIDE BED OF 3/4" CRUSHED STONE.

10. THE CURB SHALL BE SET IN A 4" DEEP 2" WIDE BED OF 3/4" CRUSHED STONE. THE CURB SHALL BE SET IN A 4" DEEP 2" WIDE BED OF 3/4" CRUSHED STONE. THE CURB SHALL BE SET IN A 4" DEEP 2" WIDE BED OF 3/4" CRUSHED STONE.

11. THE CURB SHALL BE SET IN A 4" DEEP 2" WIDE BED OF 3/4" CRUSHED STONE. THE CURB SHALL BE SET IN A 4" DEEP 2" WIDE BED OF 3/4" CRUSHED STONE. THE CURB SHALL BE SET IN A 4" DEEP 2" WIDE BED OF 3/4" CRUSHED STONE.

12. THE CURB SHALL BE SET IN A 4" DEEP 2" WIDE BED OF 3/4" CRUSHED STONE. THE CURB SHALL BE SET IN A 4" DEEP 2" WIDE BED OF 3/4" CRUSHED STONE. THE CURB SHALL BE SET IN A 4" DEEP 2" WIDE BED OF 3/4" CRUSHED STONE.

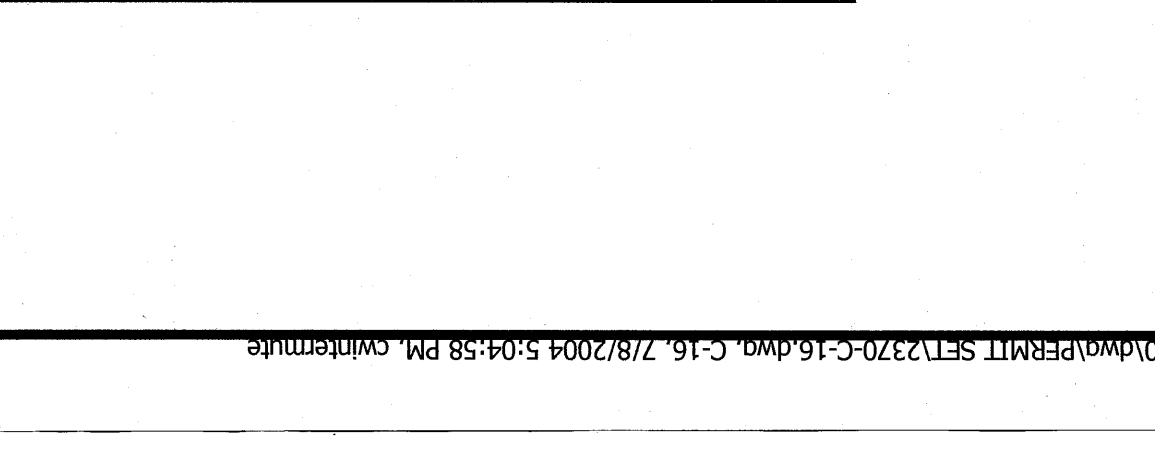
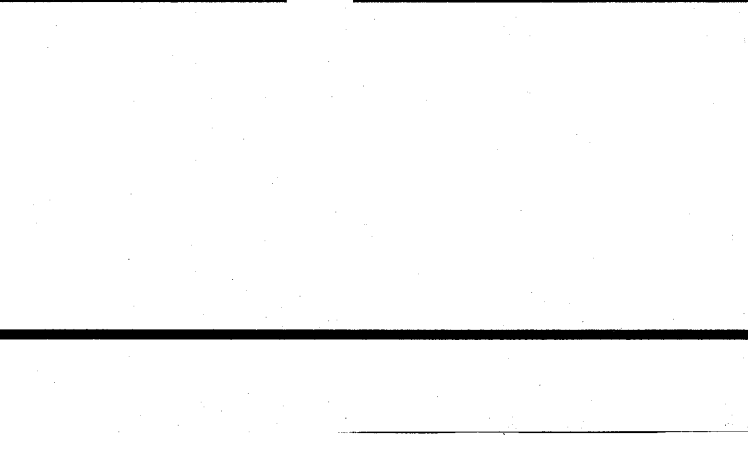
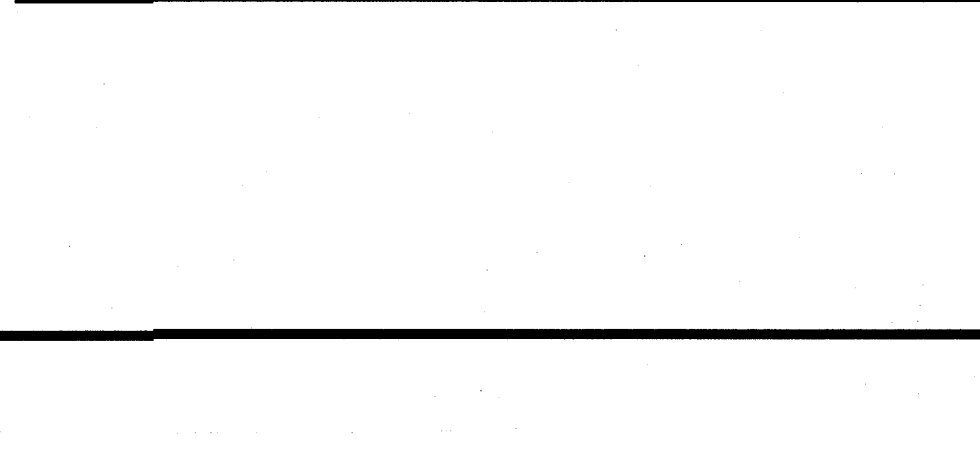
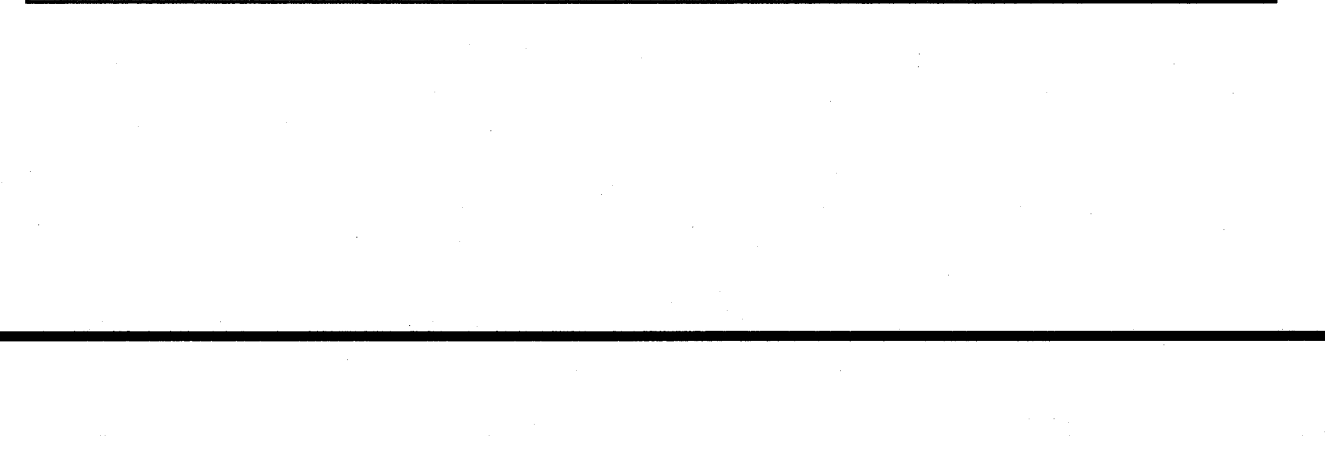
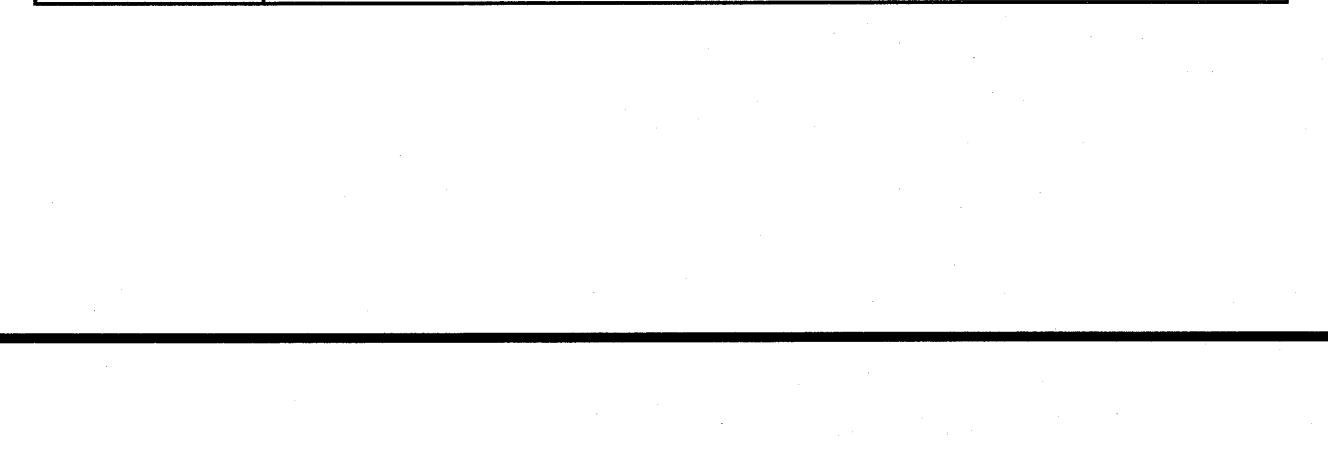
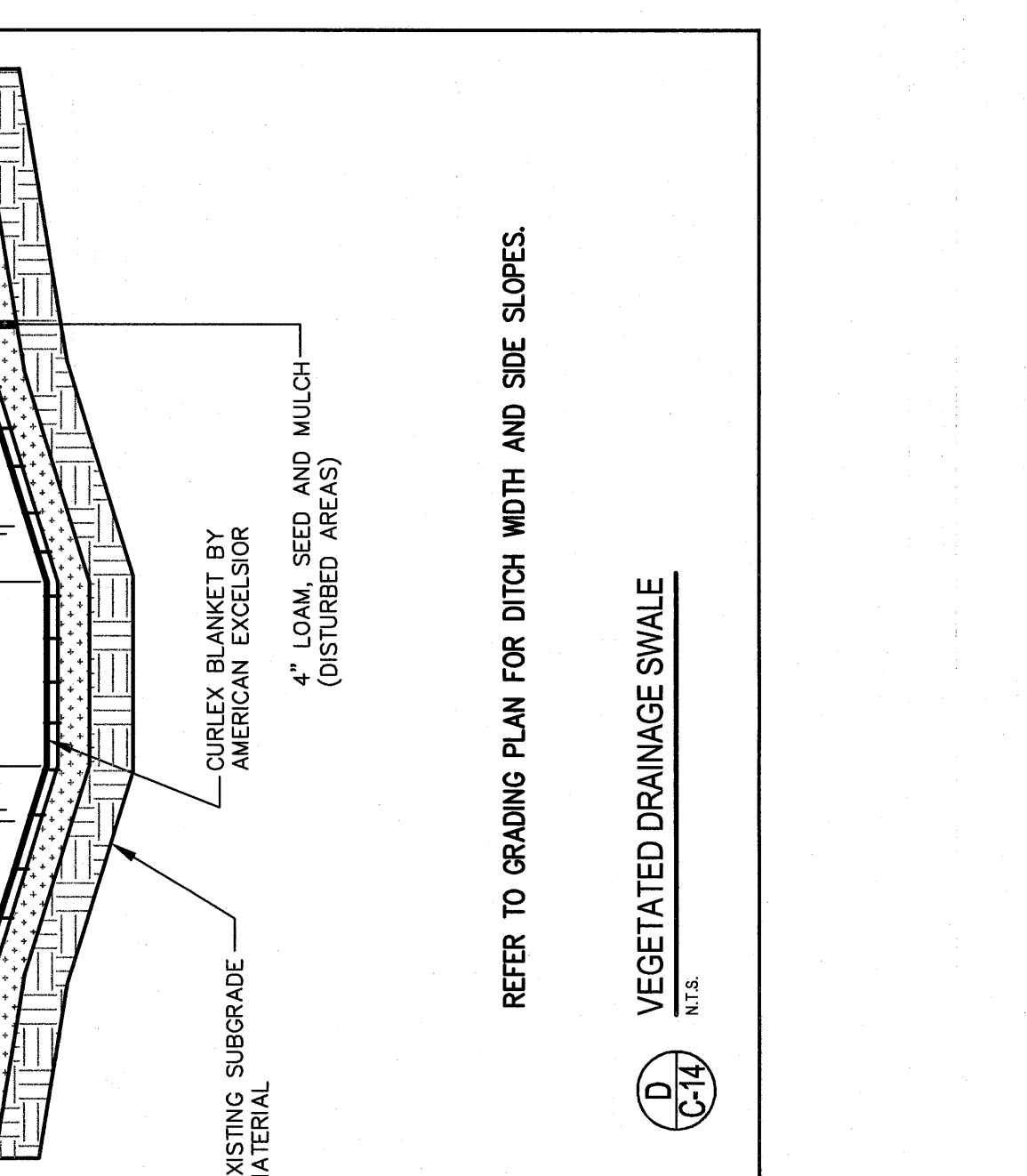
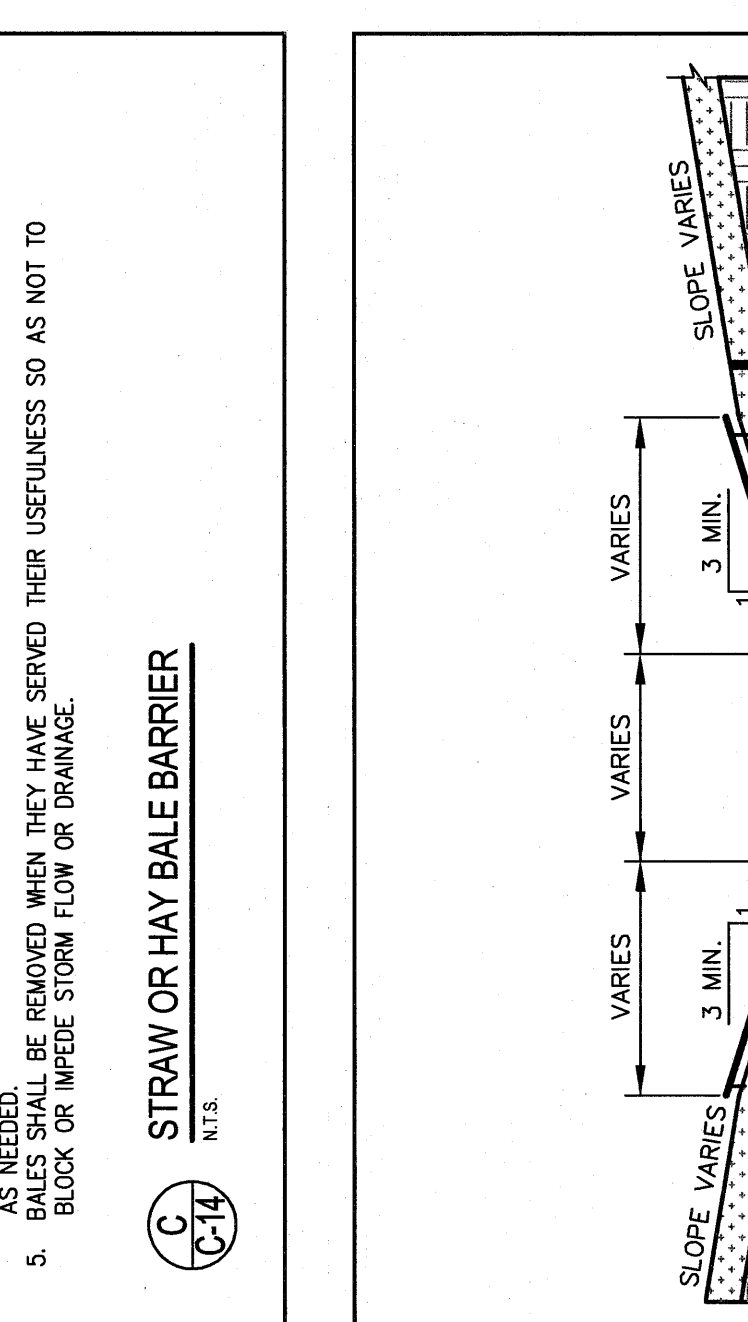
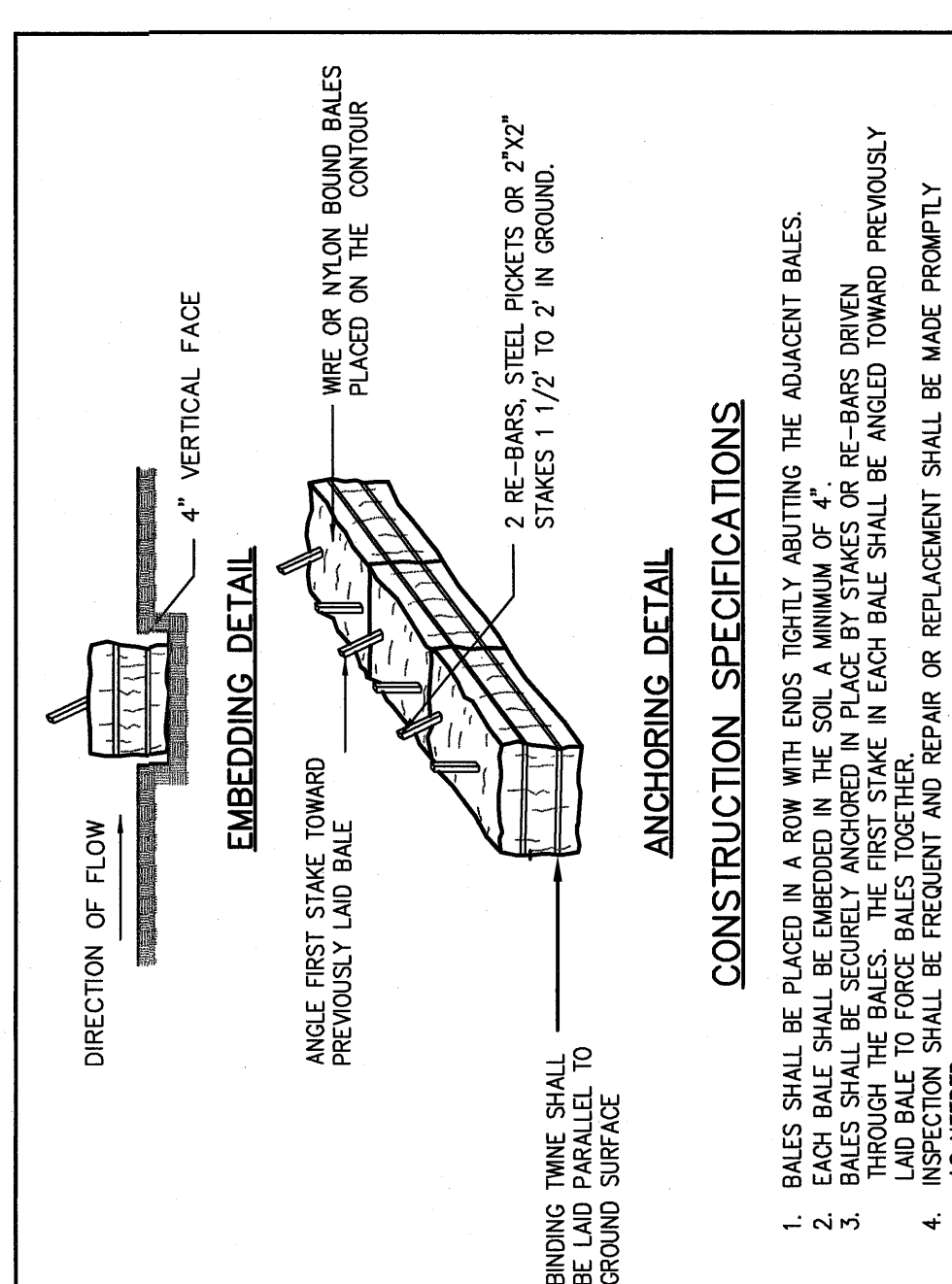
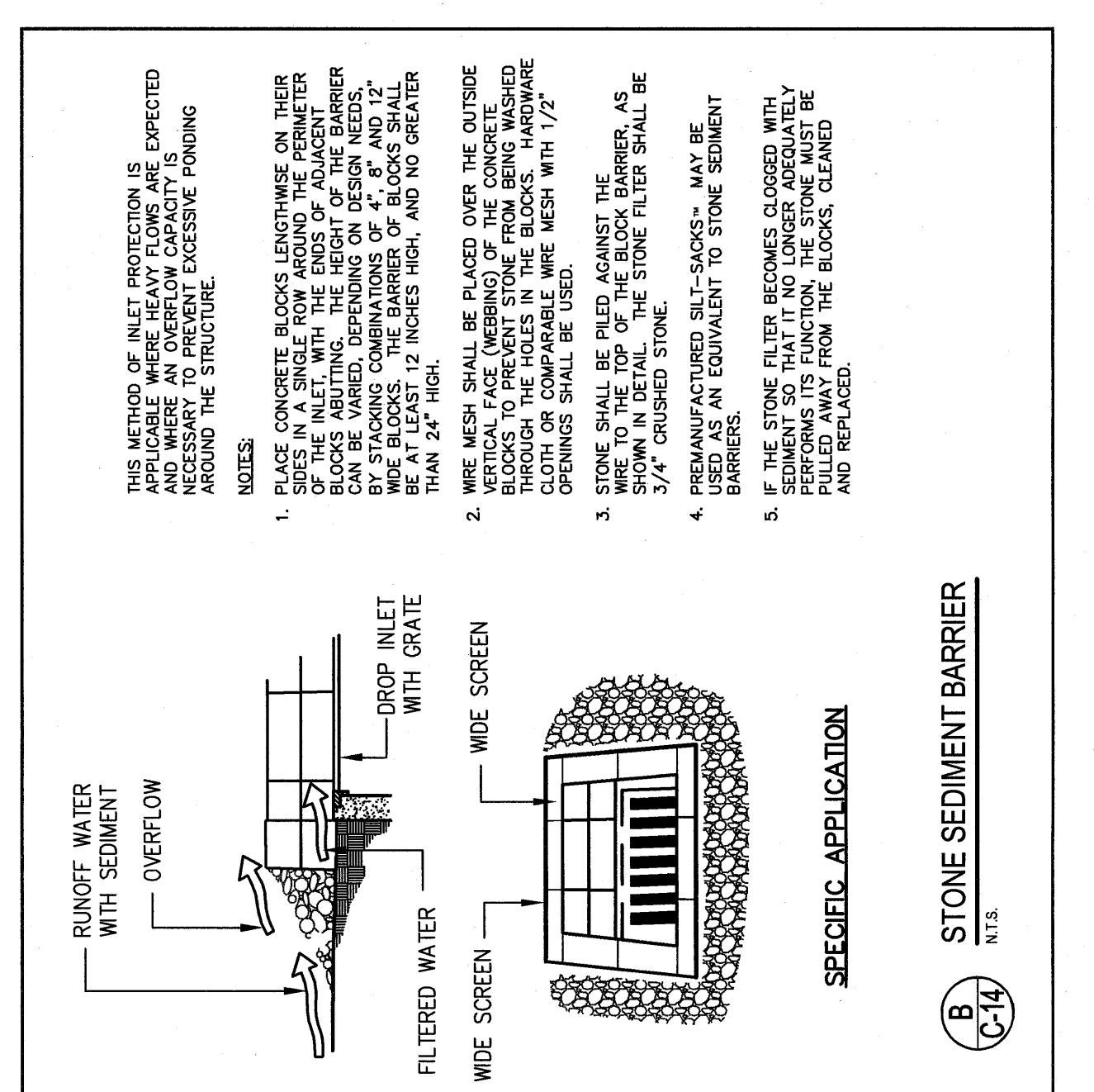
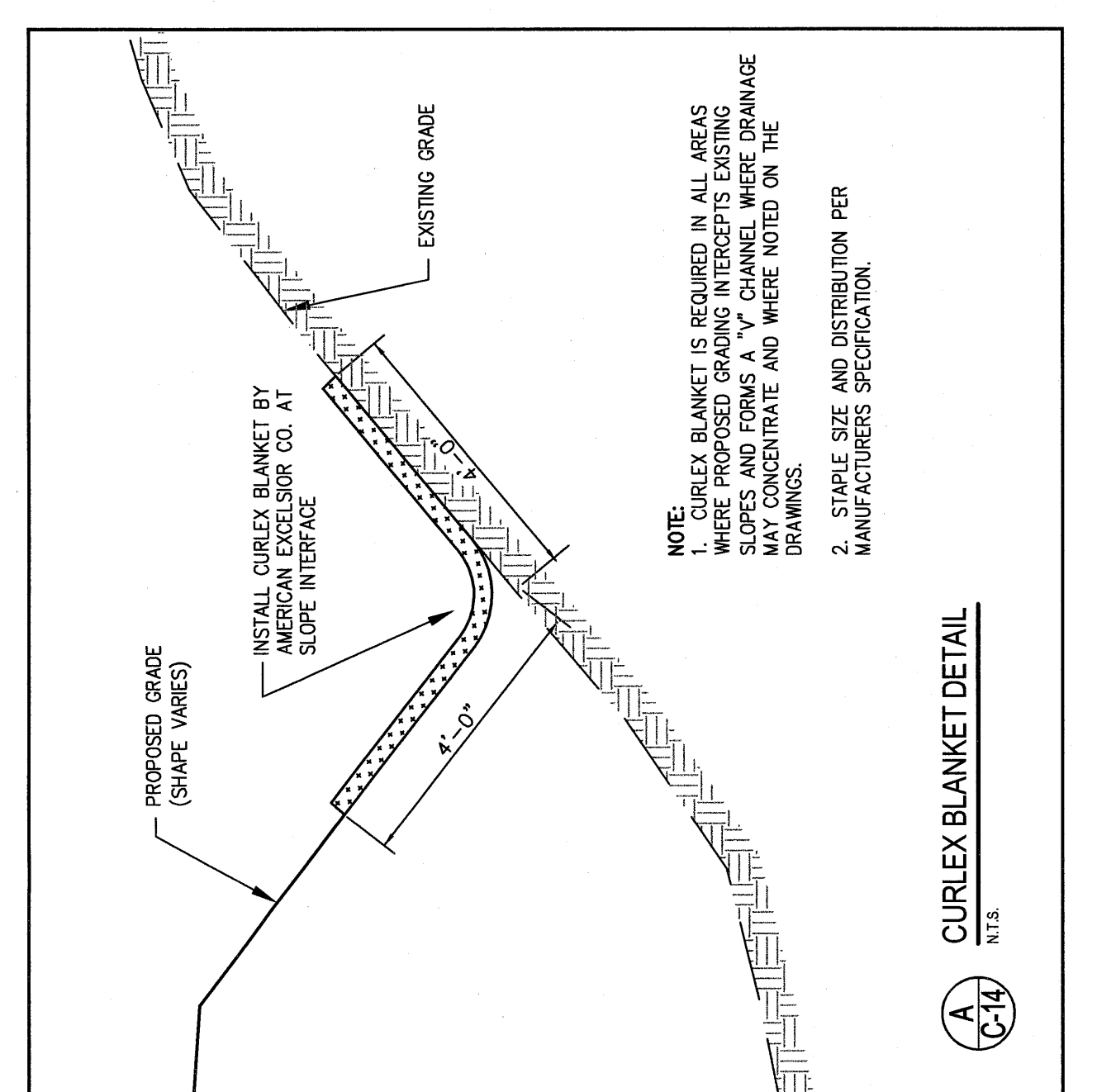
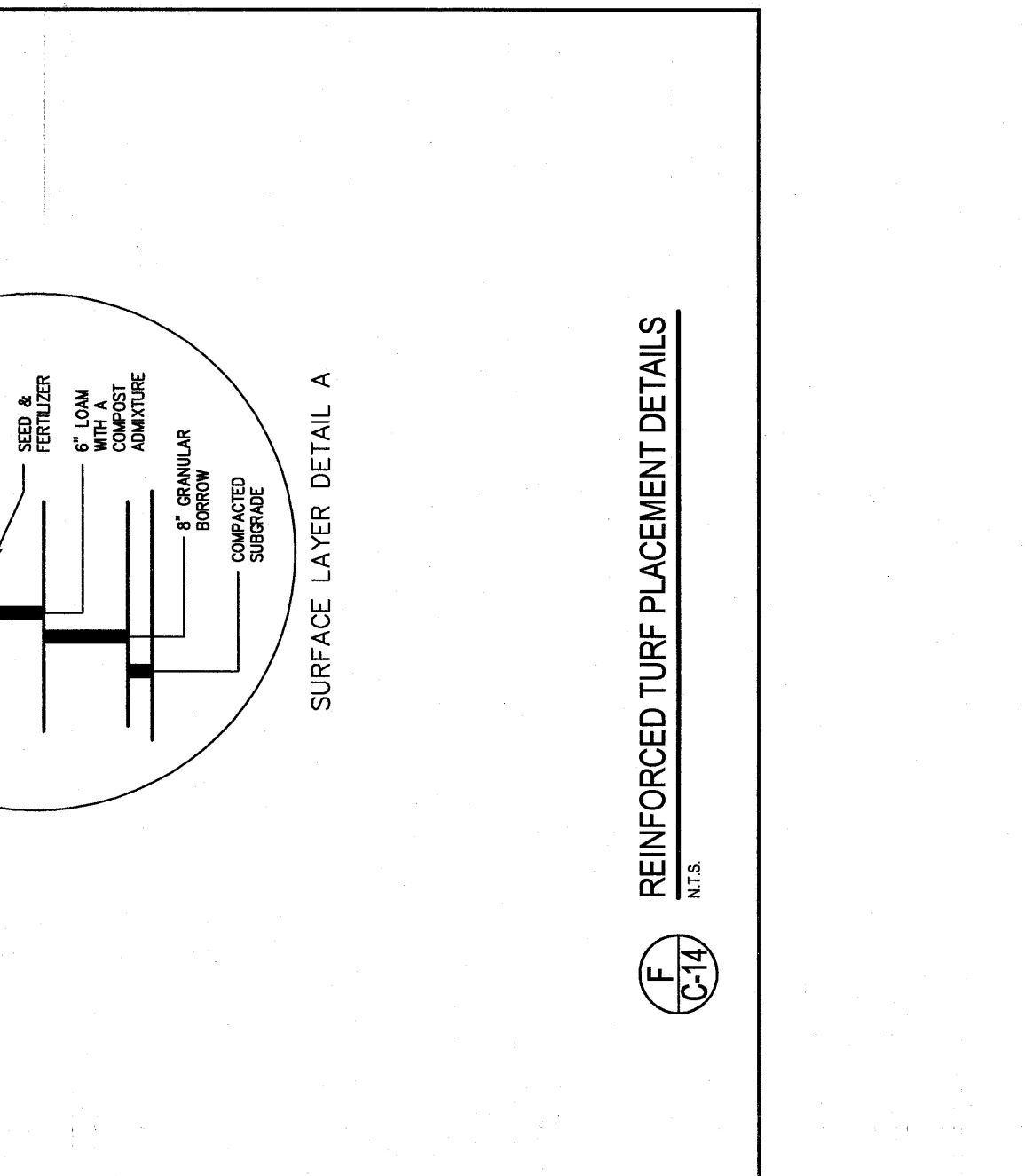
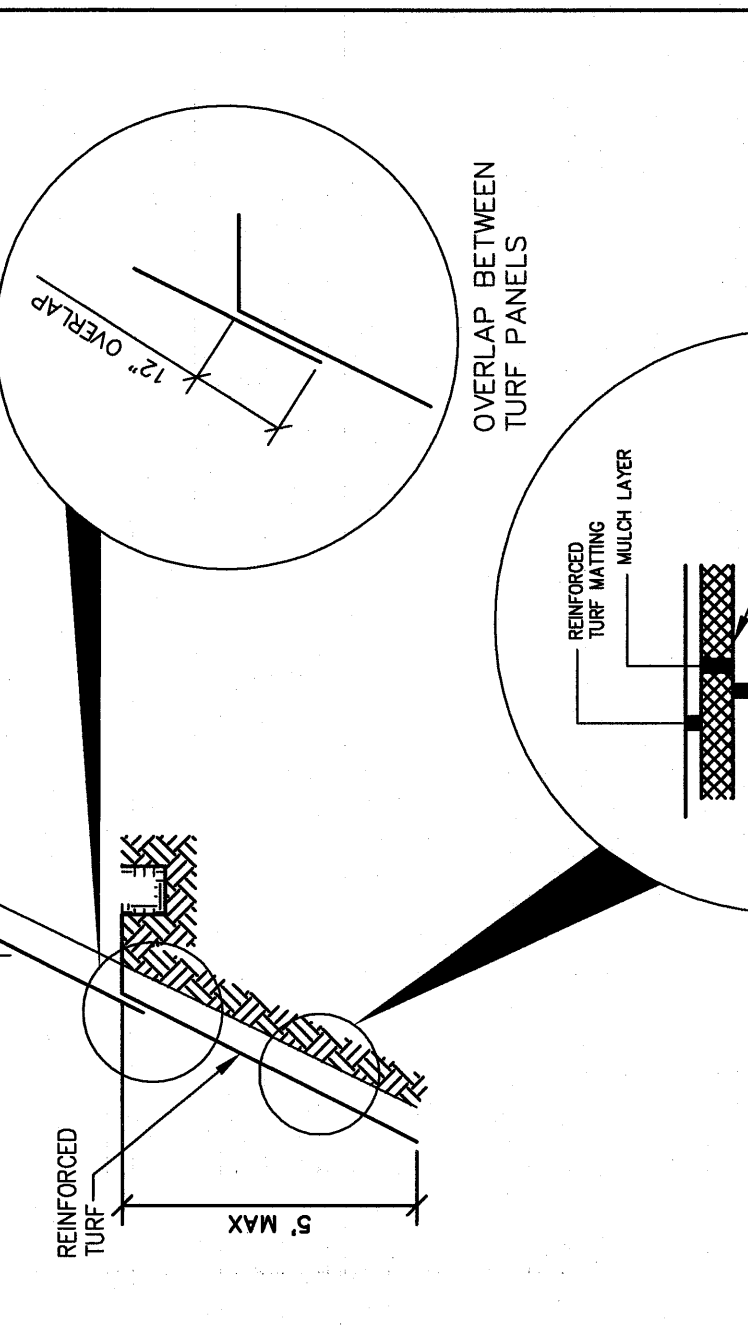
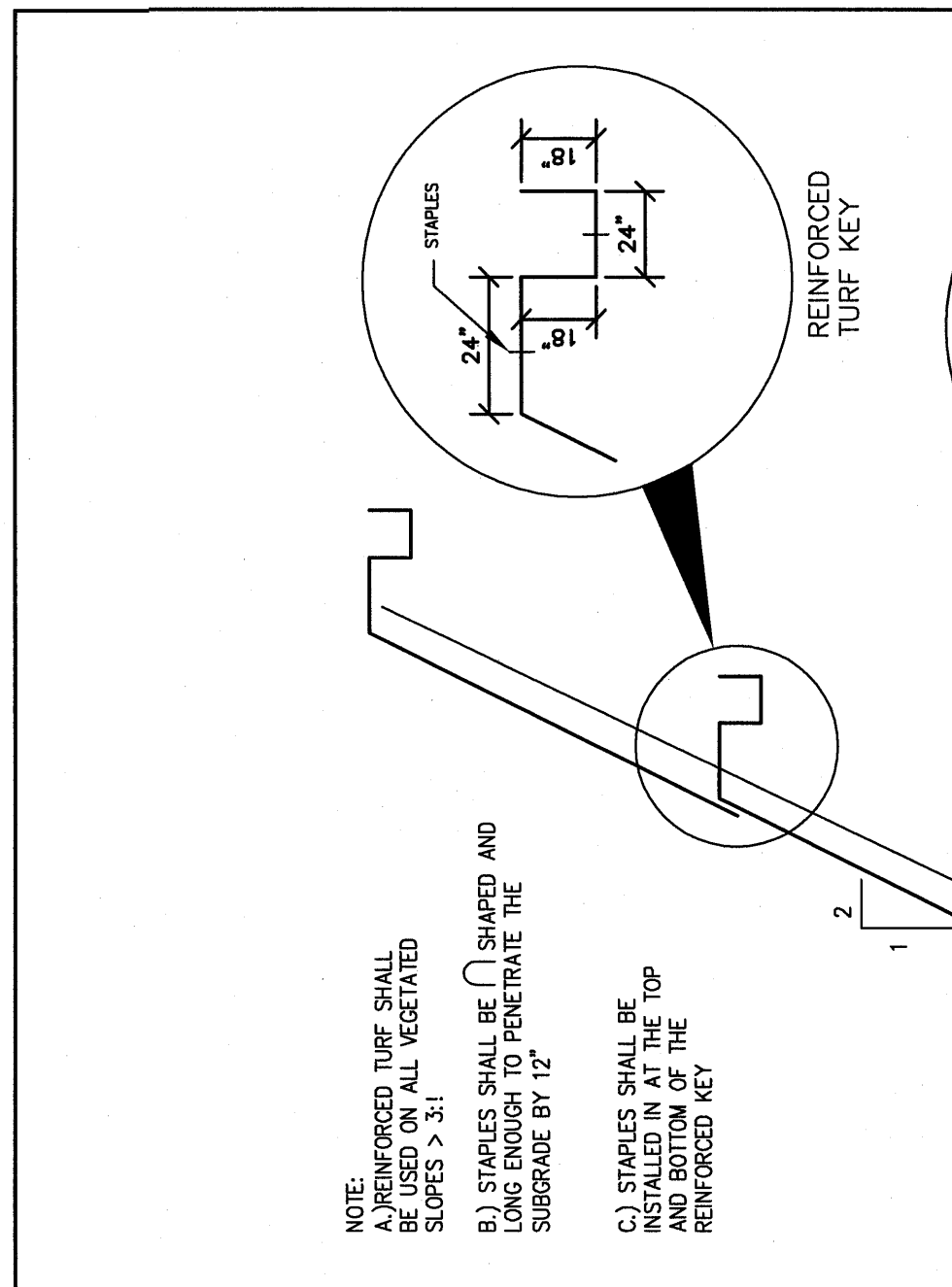
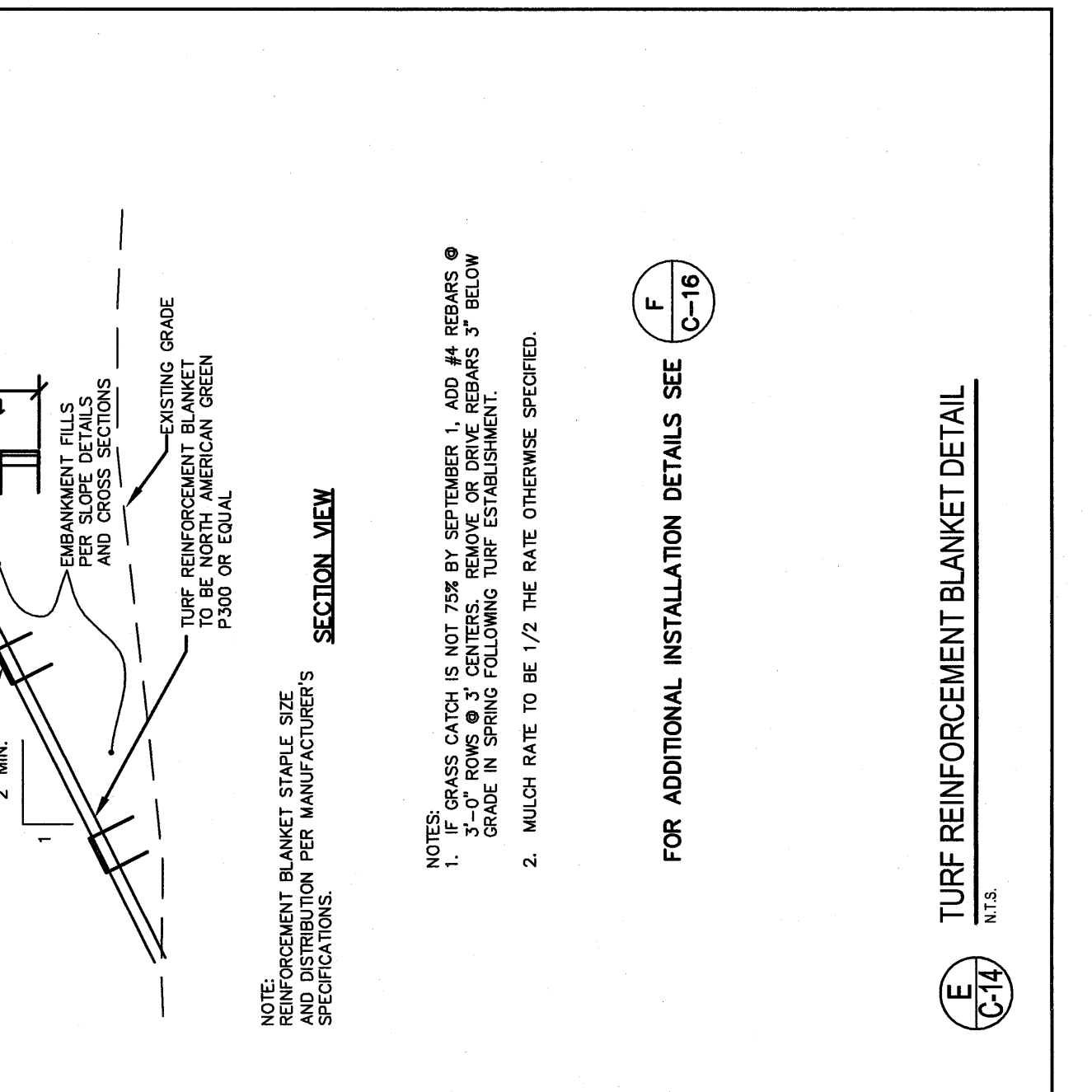
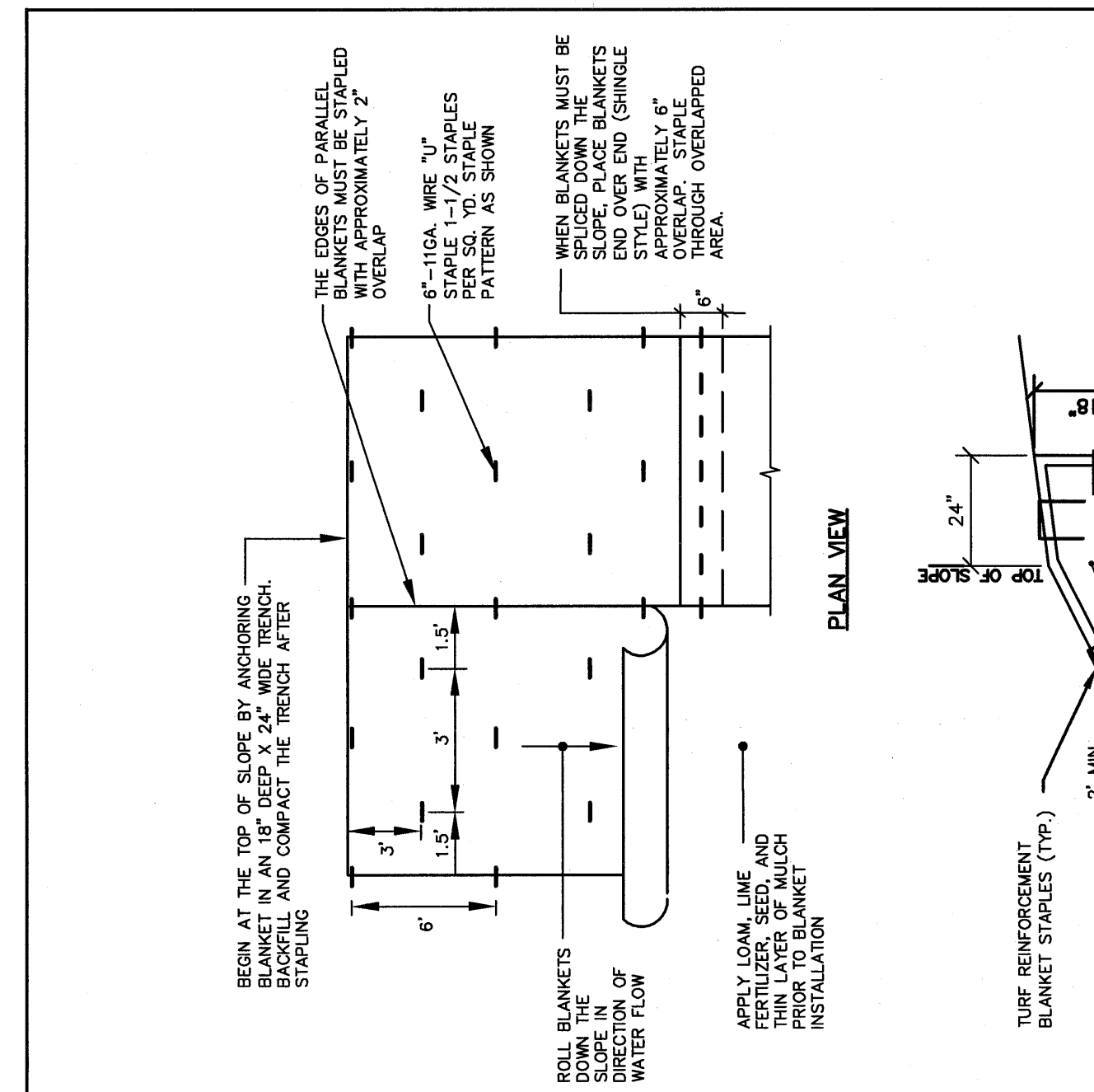
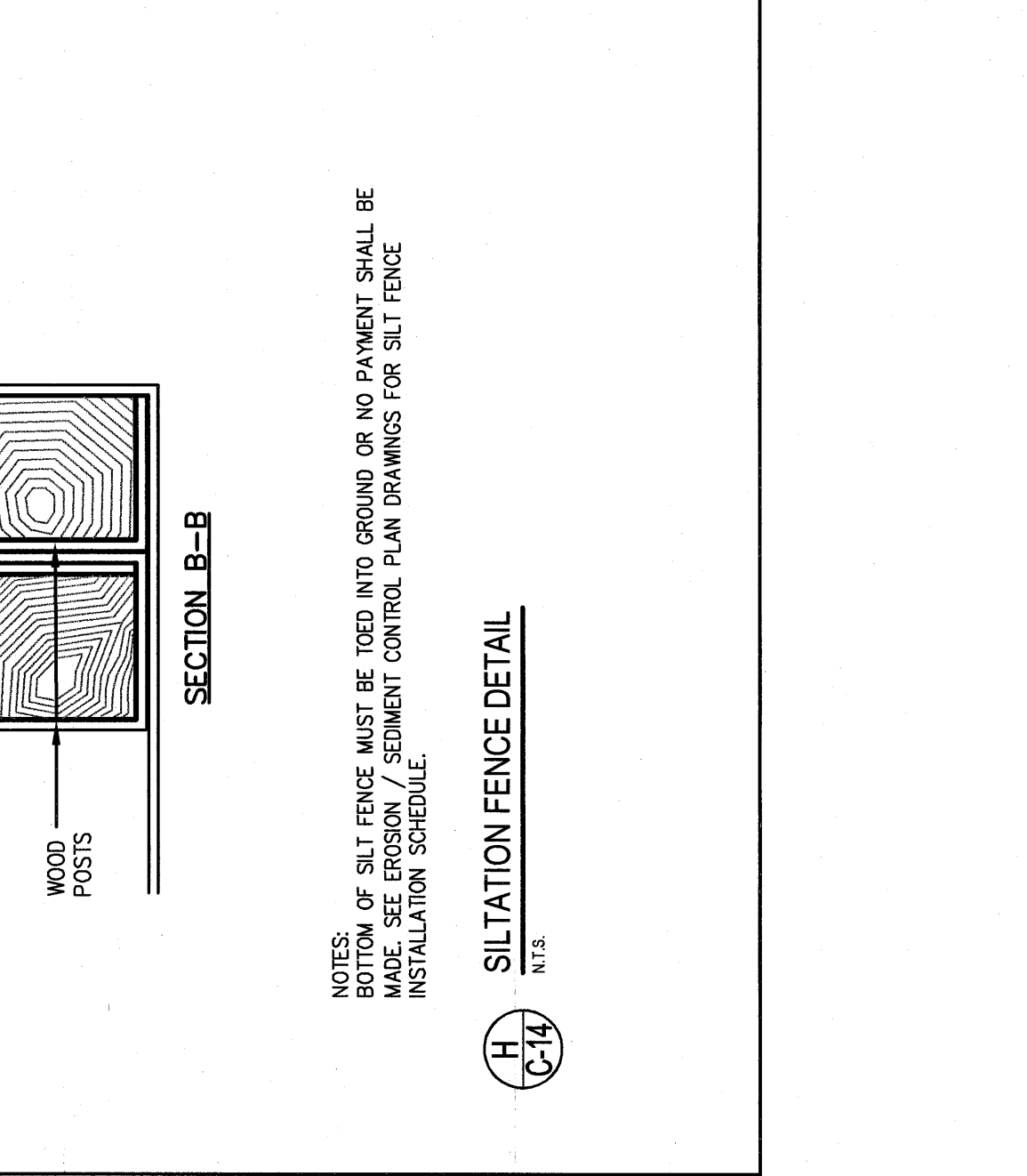
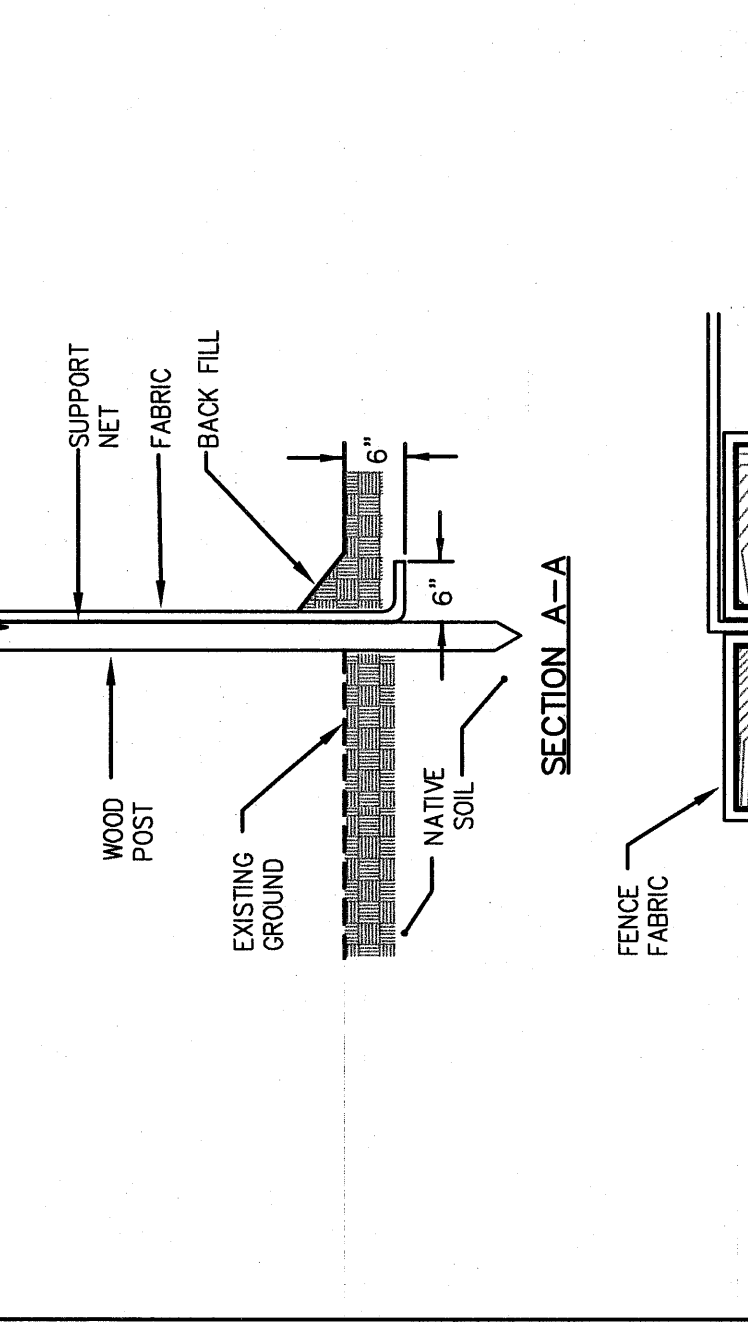
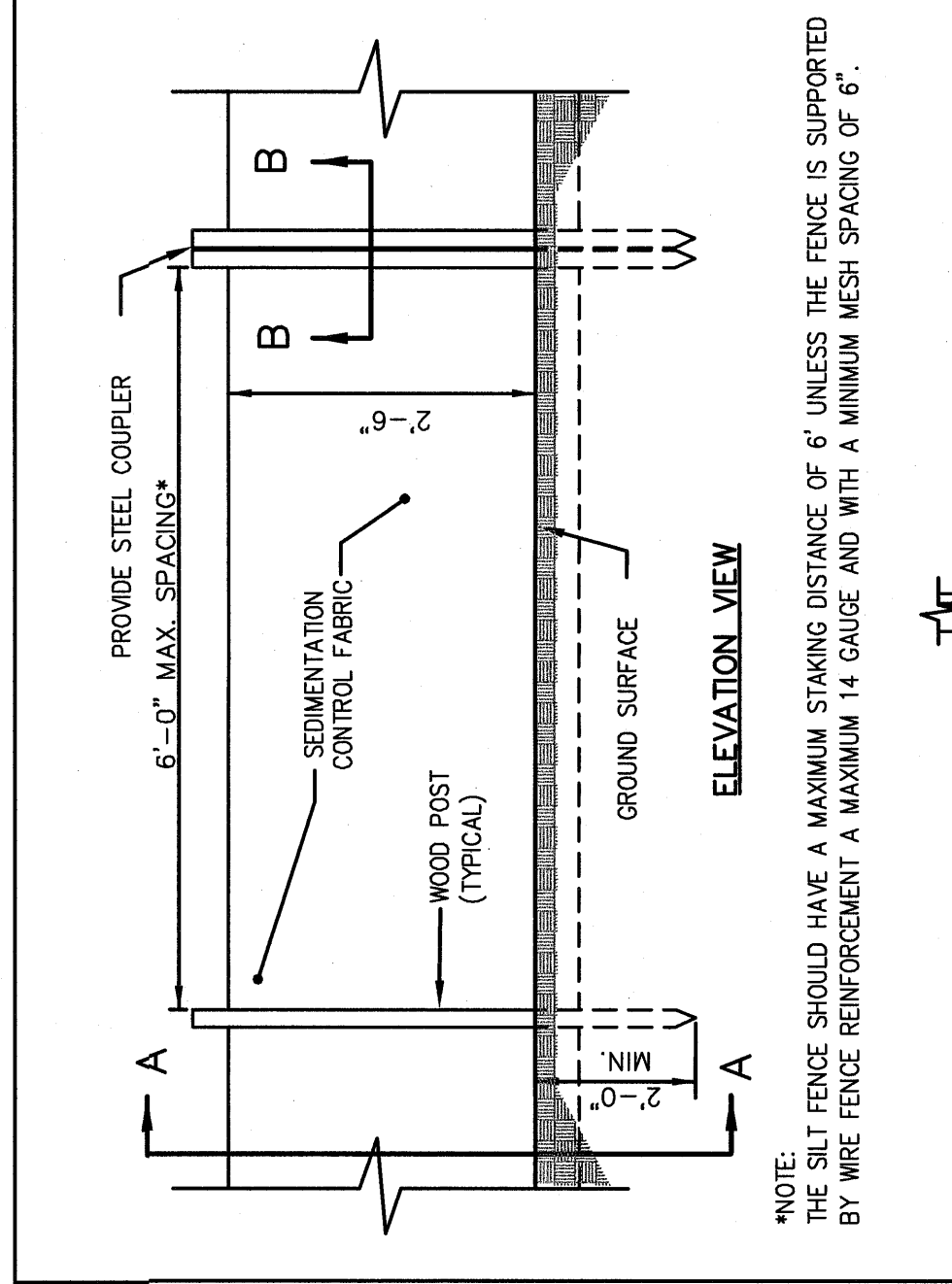
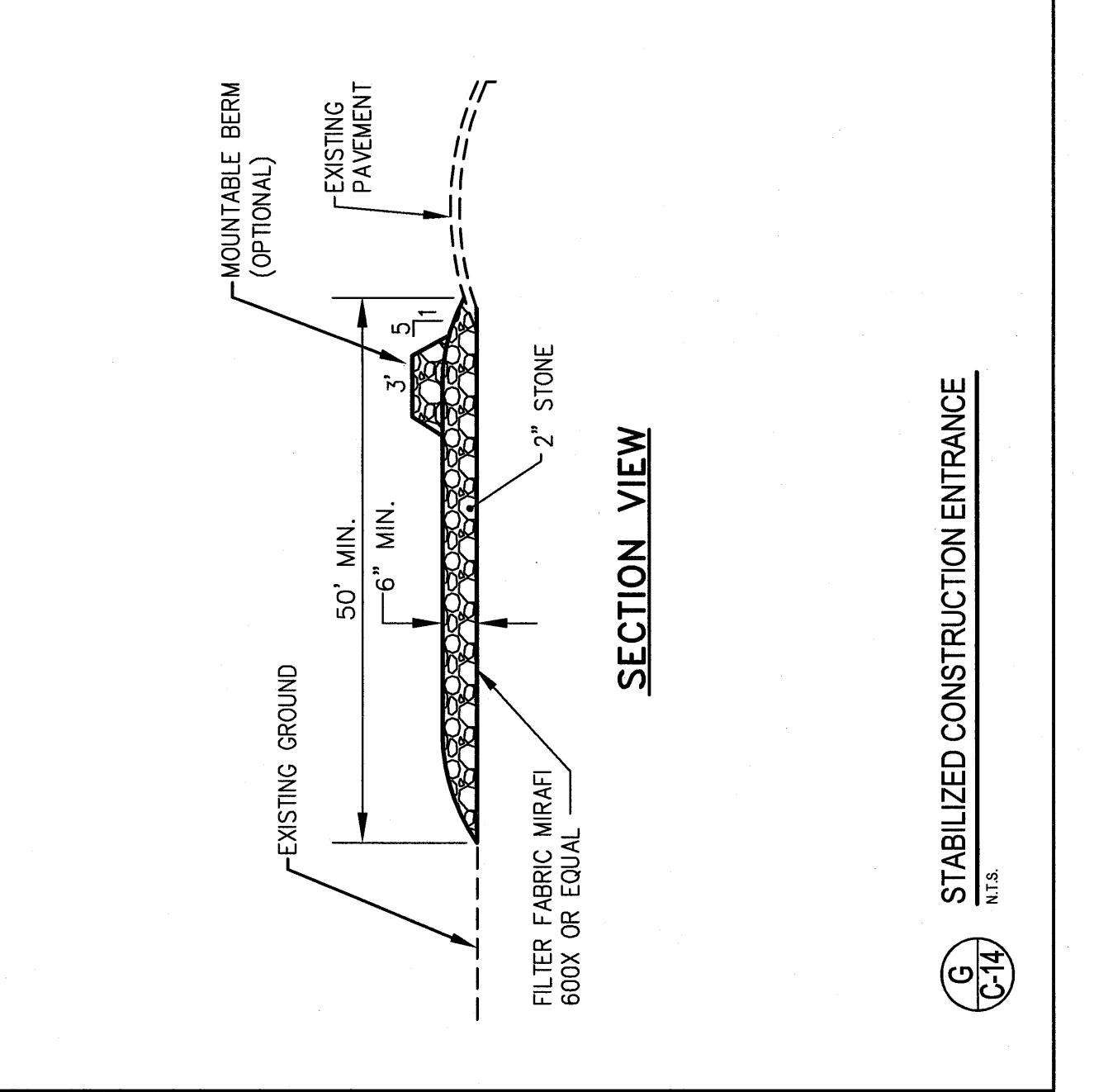
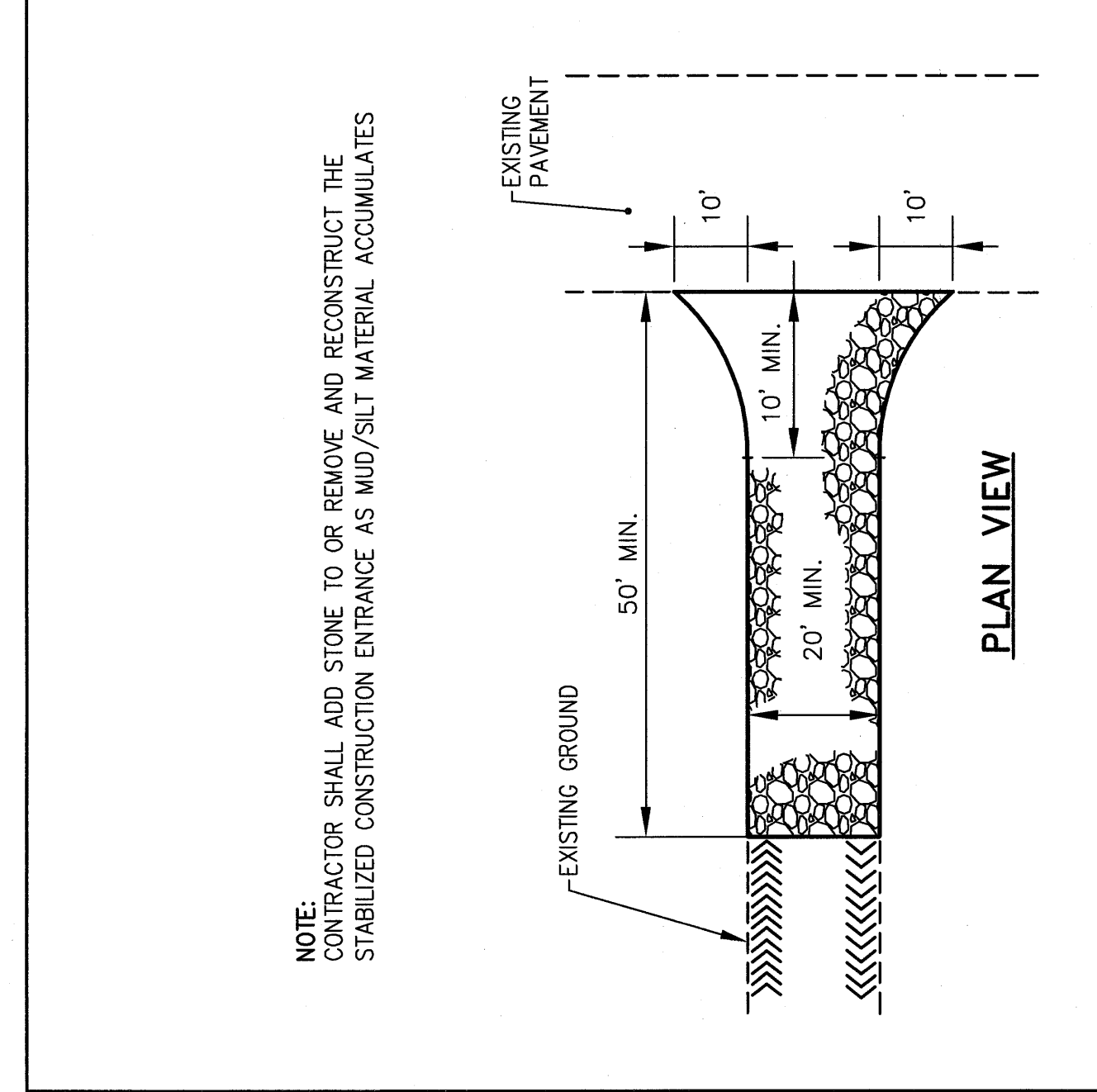
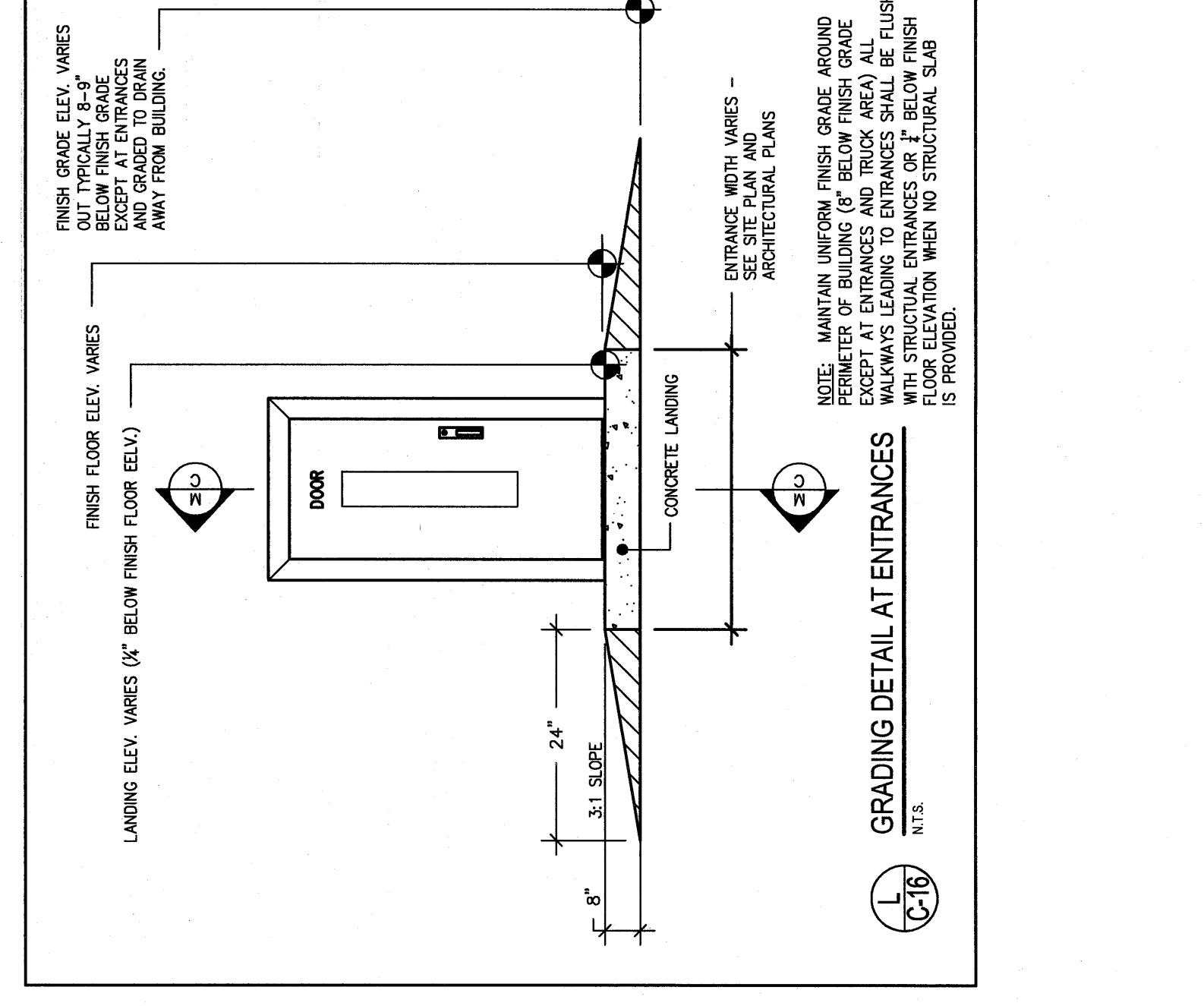
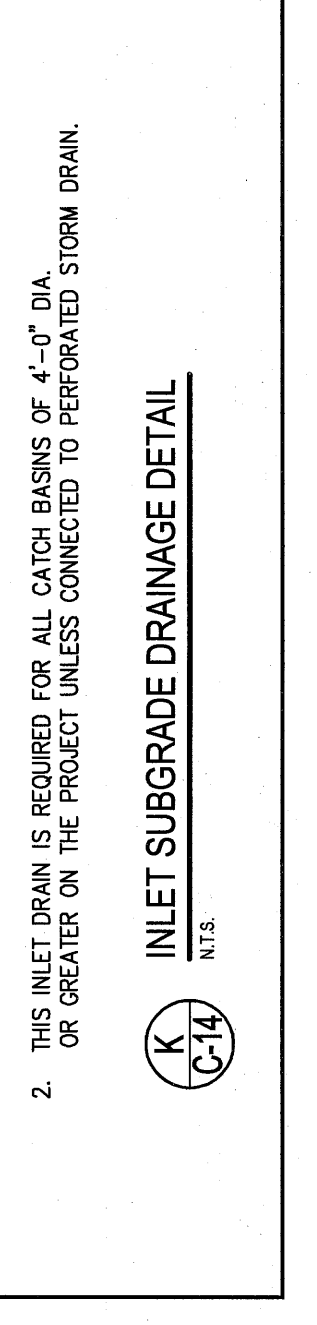
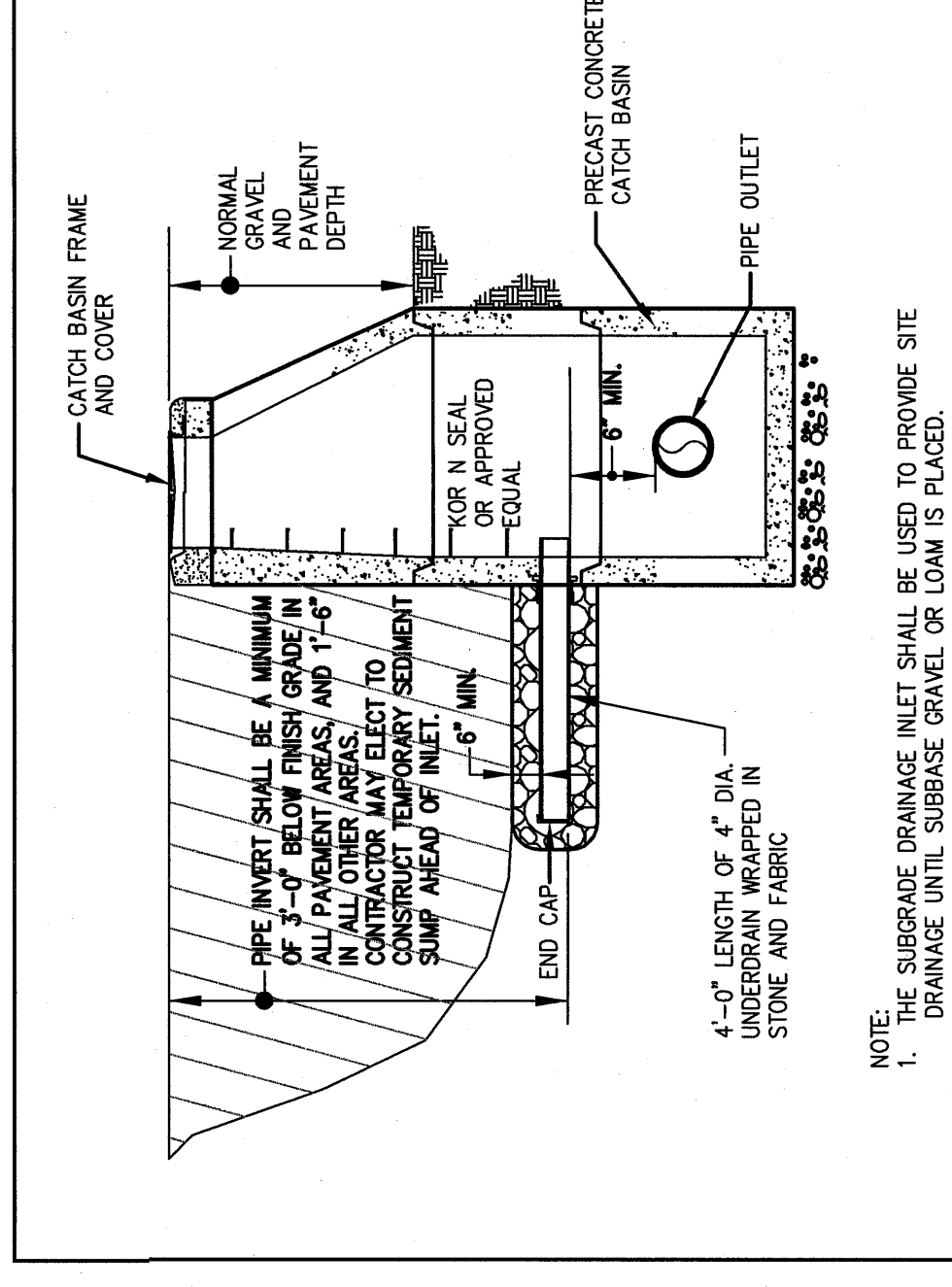
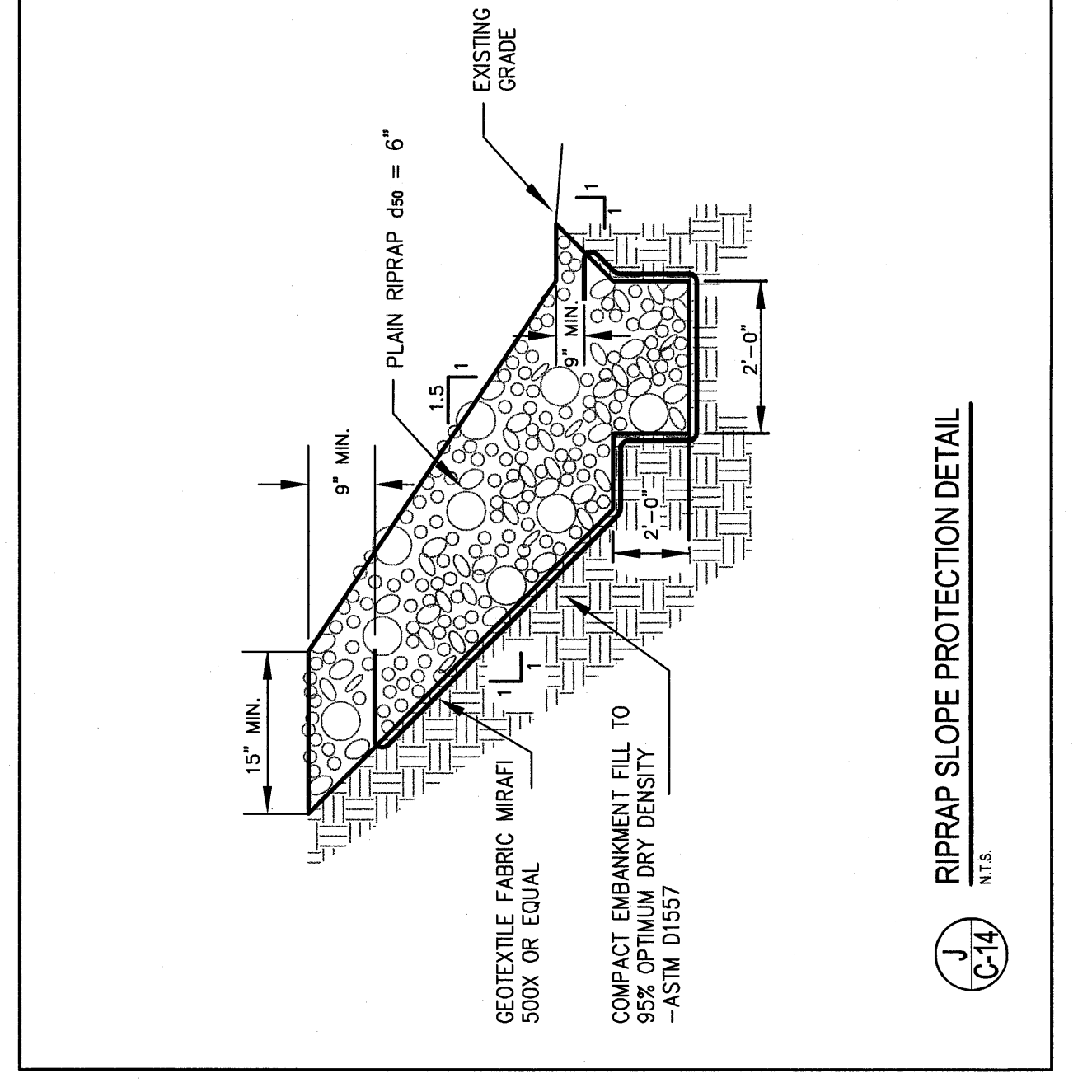
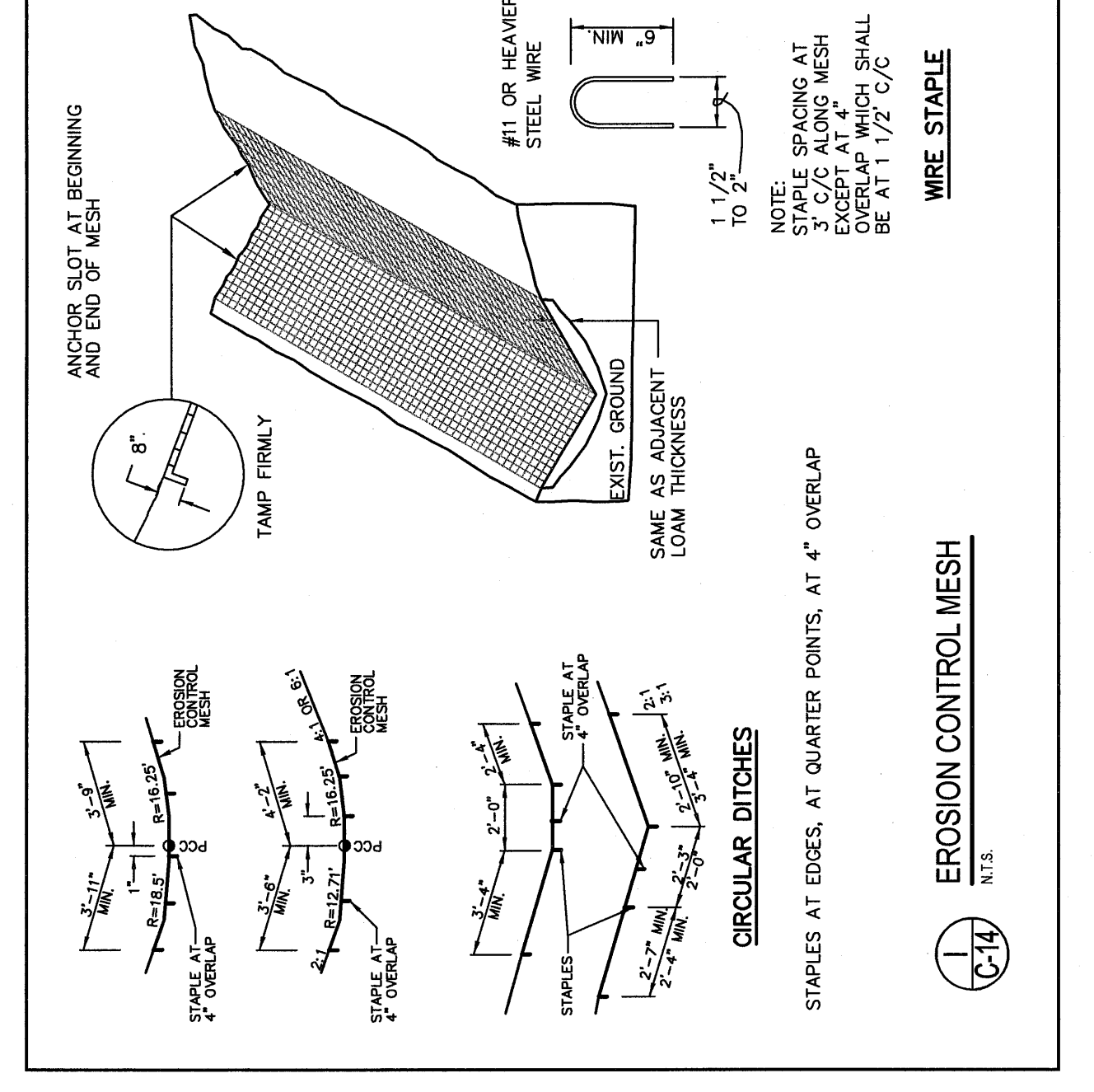
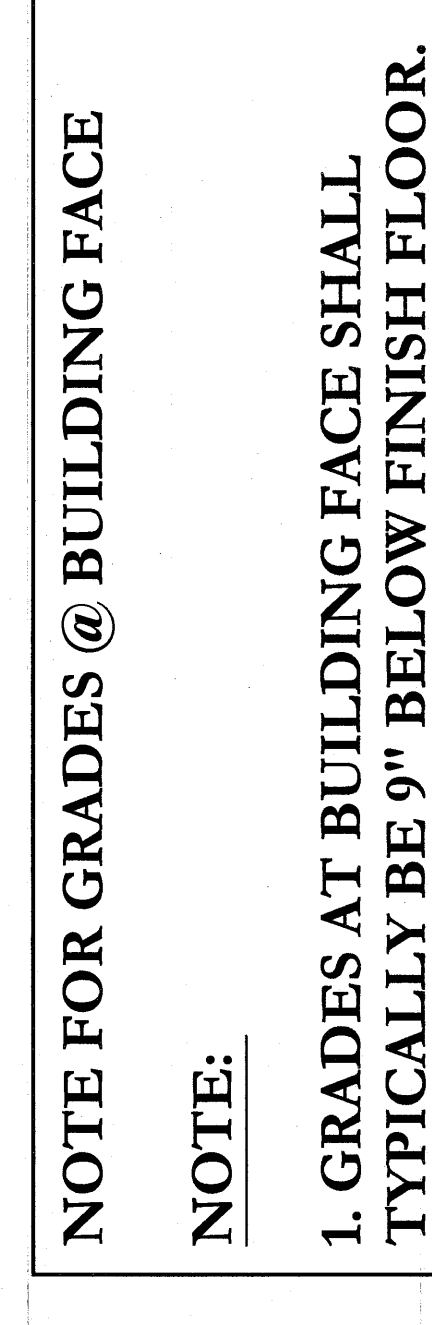
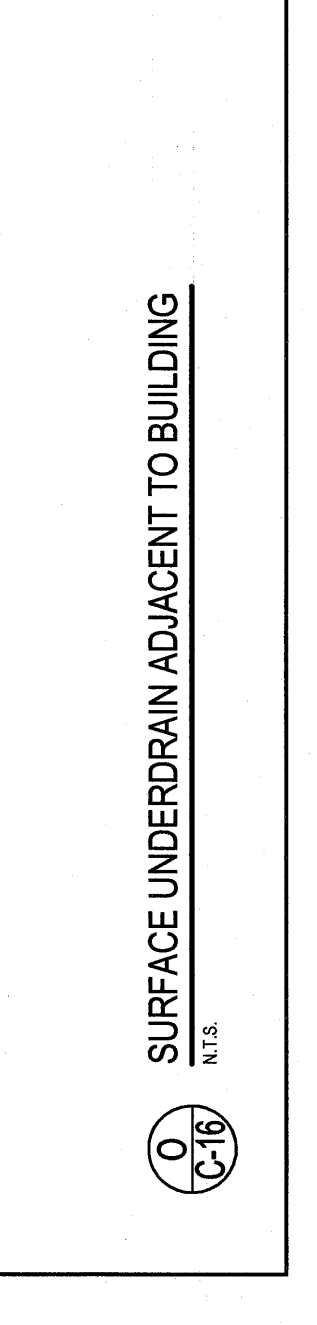
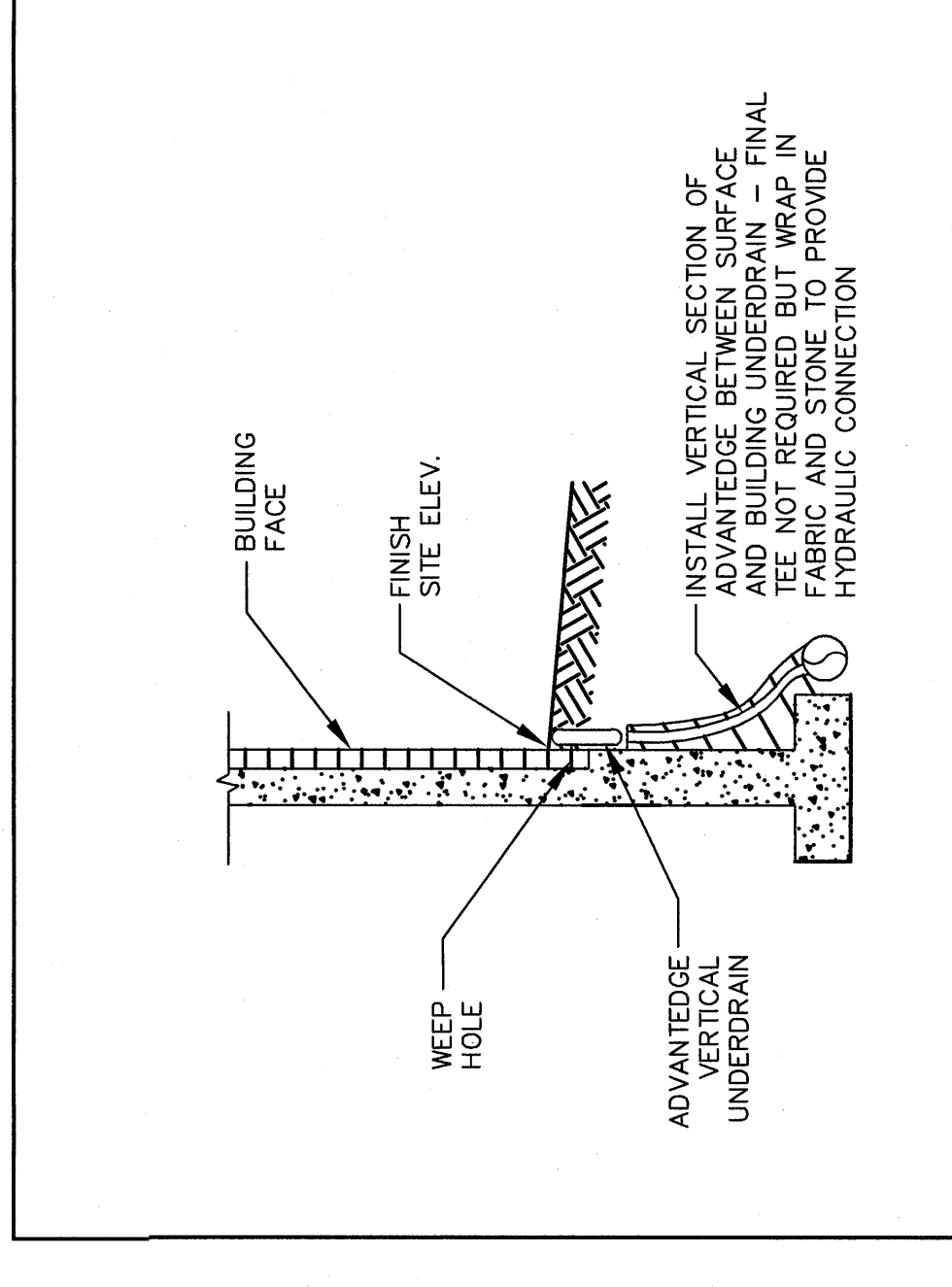
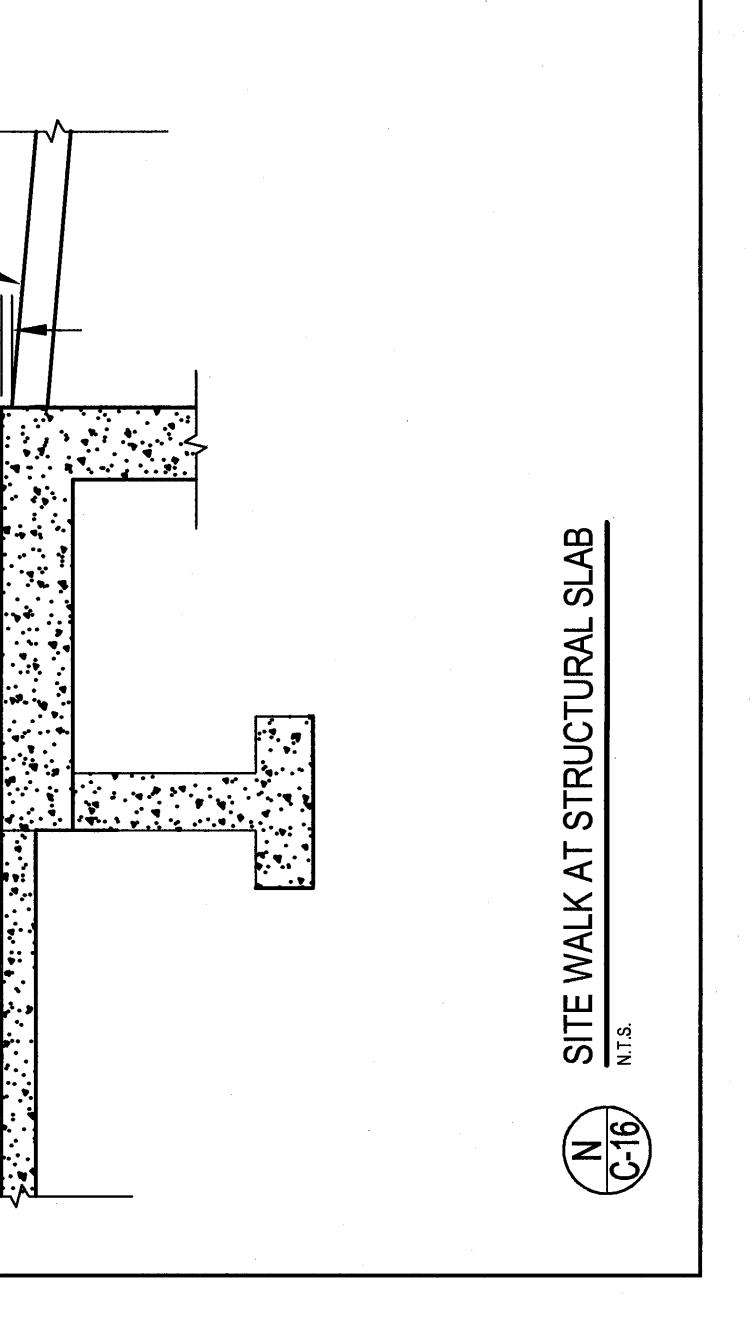
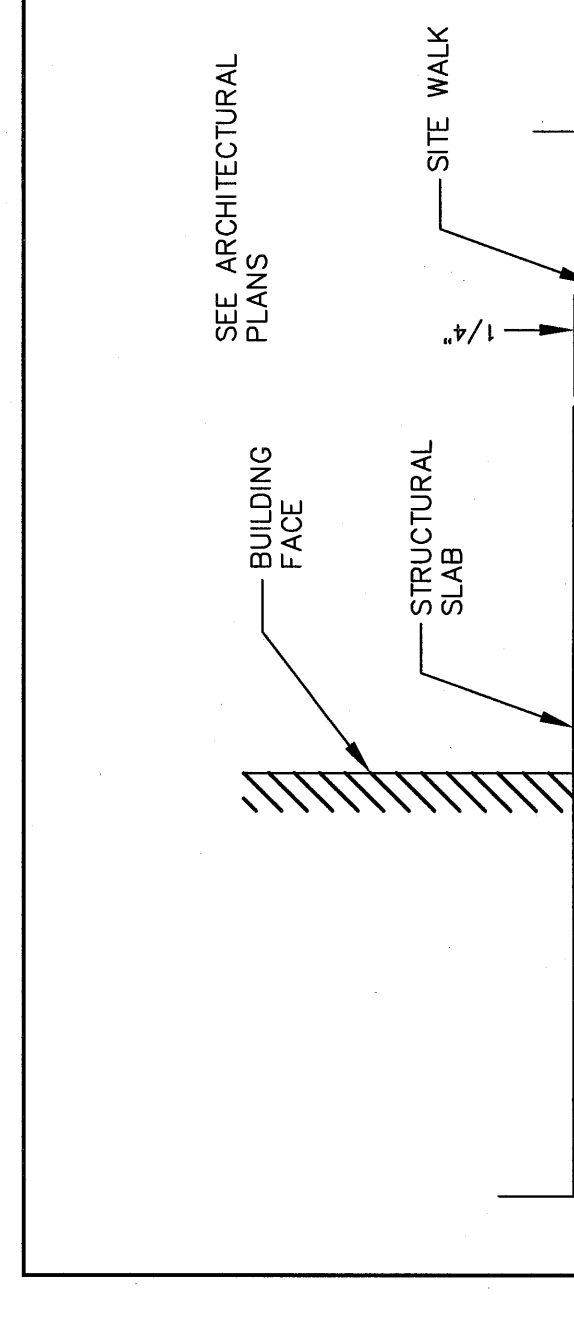
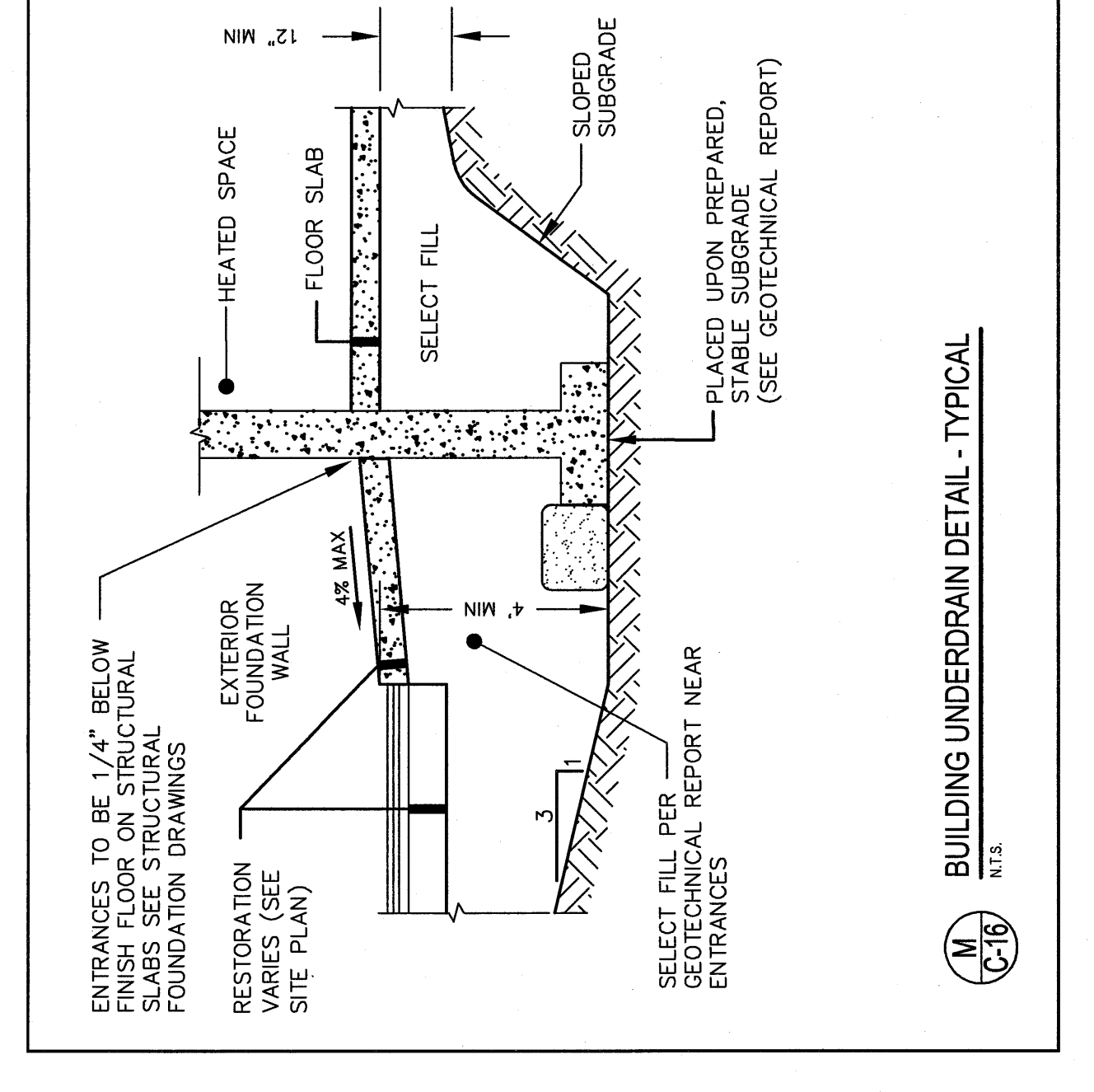
13. THE CURB SHALL BE SET IN A 4" DEEP 2" WIDE BED OF 3/4" CRUSHED STONE. THE CURB SHALL BE SET IN A 4" DEEP 2" WIDE BED OF 3/4" CRUSHED STONE. THE CURB SHALL BE SET IN A 4" DEEP 2" WIDE BED OF 3/4" CRUSHED STONE.

14. THE CURB SHALL BE SET IN A 4" DEEP 2" WIDE BED OF 3/4" CRUSHED STONE. THE CURB SHALL BE SET IN A 4" DEEP 2" WIDE BED OF 3/4" CRUSHED STONE. THE CURB SHALL BE SET IN A 4" DEEP 2" WIDE BED OF 3/4" CRUSHED STONE.

15. THE CURB SHALL BE SET IN A 4" DEEP 2" WIDE BED OF 3/4" CRUSHED STONE. THE CURB SHALL BE SET IN A 4" DEEP 2" WIDE BED OF 3/4" CRUSHED STONE. THE CURB SHALL BE SET IN A 4" DEEP 2" WIDE BED OF 3/4" CRUSHED STONE.

16. THE CURB SHALL BE SET IN A 4" DEEP 2" WIDE BED OF 3/4" CRUSHED STONE. THE CURB SHALL BE SET IN A 4" DEEP 2" WIDE BED OF 3/4" CRUSHED STONE. THE CURB SHALL BE SET IN A 4" DEEP 2" WIDE BED OF 3/4" CRUSHED STONE.

17. THE CURB SHALL BE SET IN A 4" DEEP 2" WIDE BED OF 3/4" CRUSHED STONE. THE CURB SHALL BE SET IN A 4" DEEP 2" WIDE BED OF 3/4" CRUSHED STONE. THE CURB SHALL BE SET IN A 4" DEEP 2" WIDE BED OF 3/4" CRUSHED STONE.



<b>East End Elementary School</b> Porter Public Schools Porter, Alabama		Job No.: 1807-2019 Scale: N.T.S. Drawn by: R.K. Checked by: W.H. Drawing Title: Erosion Control and Special Detail Detailing	<b>C-16</b>
<p><b>CONSULTANTS</b></p> <p>DalUCA-Hoffman Associates Civil Engineer Landscape Architect Structural Engineer Professional Engineer Bioscience Engineer Barrett Design Kern Design Tull Consulting Wildlife Solutions Forest Solutions</p>		<p><b>ARCHITECT</b></p> <p>WILLIAM G. HOFFMAN 10 Deluca Street Post Office Box 883 DTS Porter, Alabama 36476 Phone: 205.878.4200 Fax: 205.878.7266 Email: eah@deluca.com</p>	

<p><b>STATE OF ALABAMA</b></p> <p>WILLIAM G. HOFFMAN REGISTERED PROFESSIONAL ENGINEER No. 11261 Exp. 12/31/2021</p>	<p>P.E. William G. Hoffmann L.C. #4105</p>
---	--

DA LU CA - H O F F M A N ASSOCIATES, I N C.  
10 DELUCA STREET  
POST OFFICE BOX 883  
PORTER, ALABAMA 36476  
PHONE: 205.878.4200  
FAX: 205.878.7266  
EMAIL: eah@deluca.com