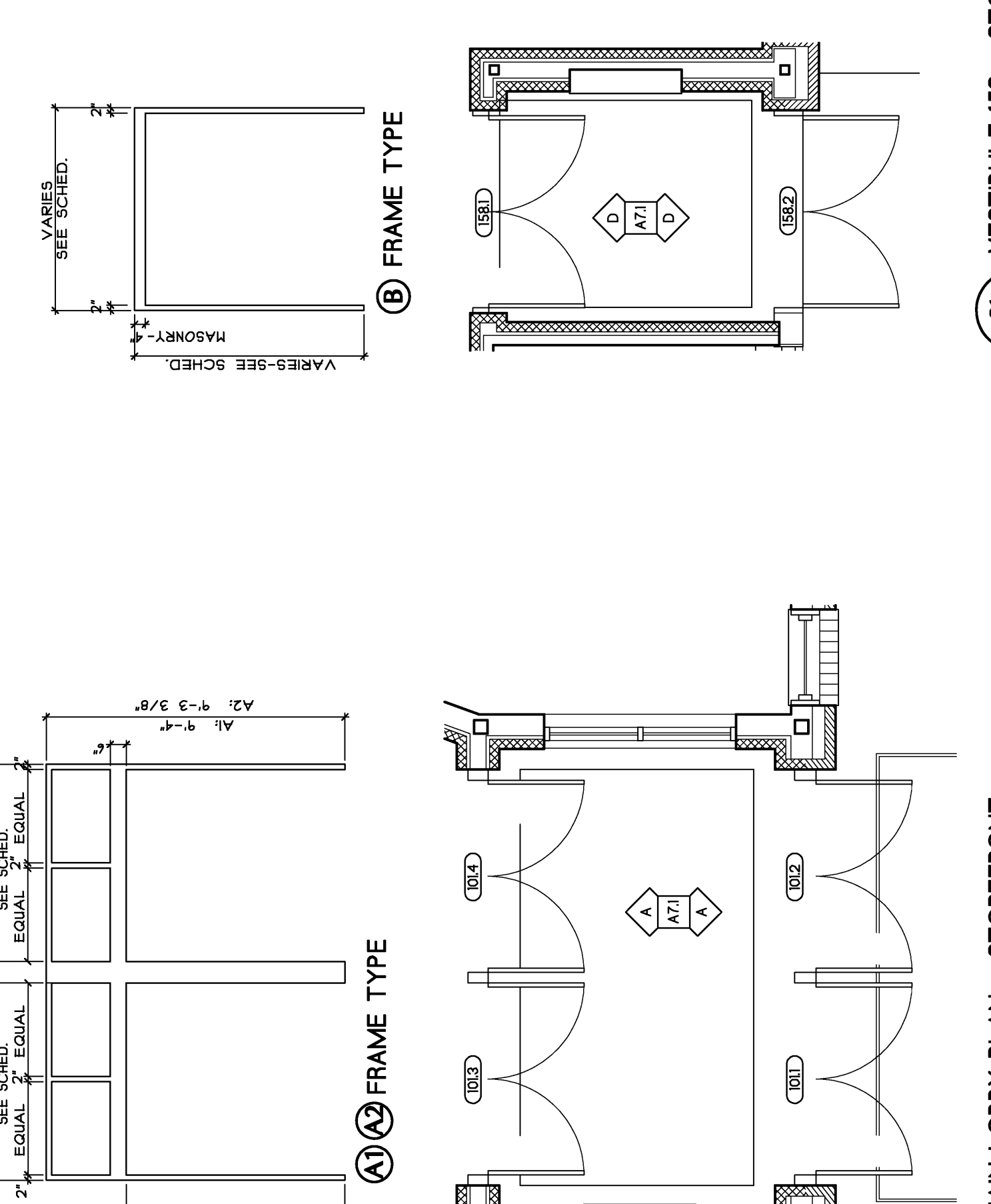


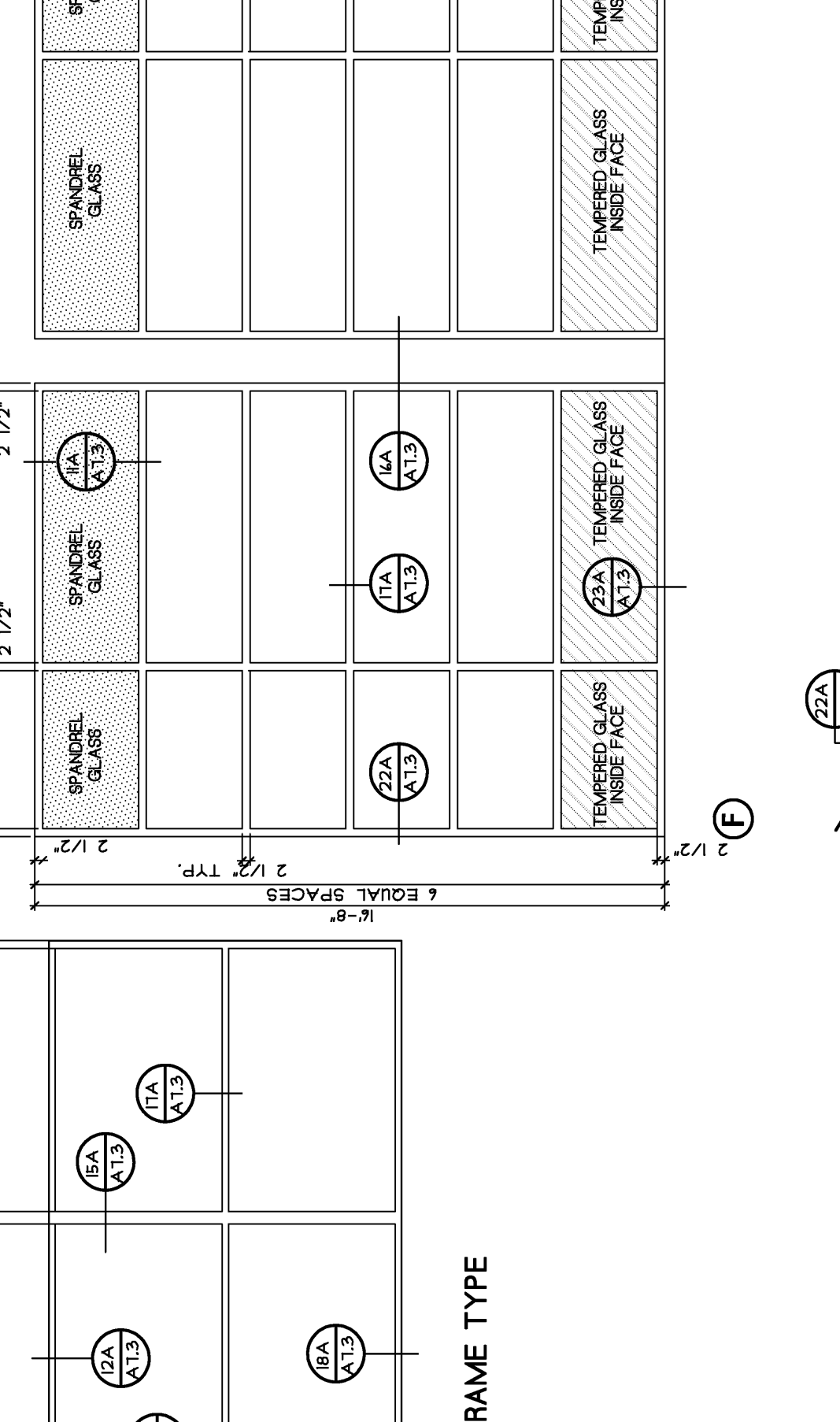
CURTAINWALL AND STOREFRONT FRAMES



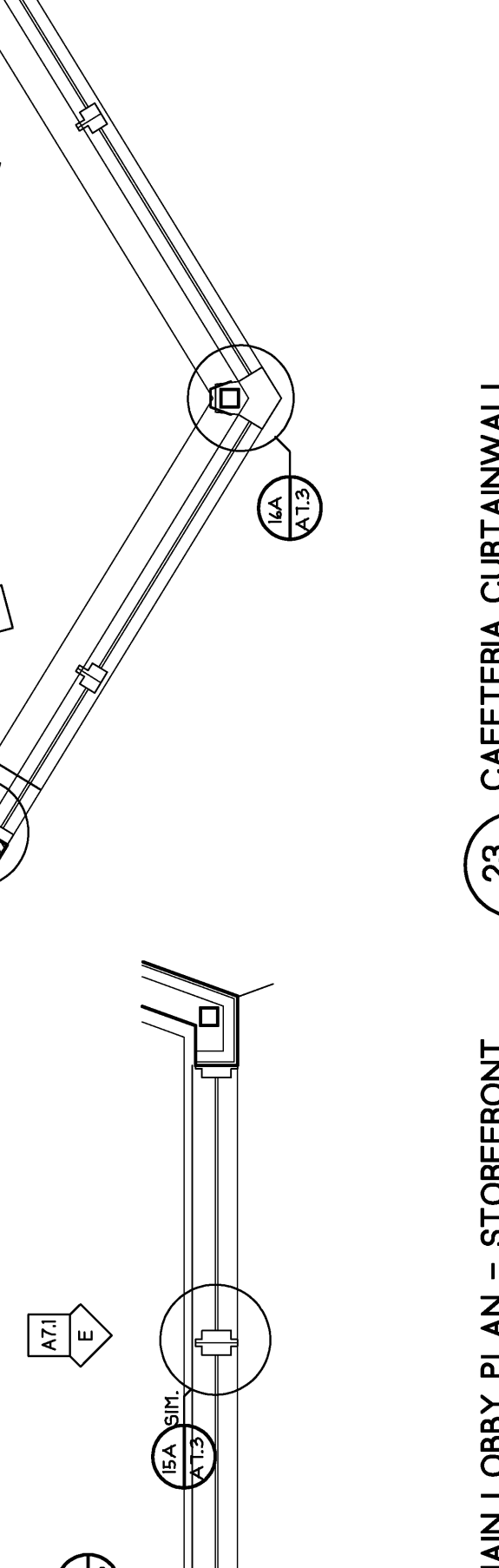
20 MAIN LOBBY PLAN - STOREFRONT
SCALE: 1/4"=1'-0"



21 VESTIBULE 158 - STOREFRONT
SCALE: 1/4"=1'-0"



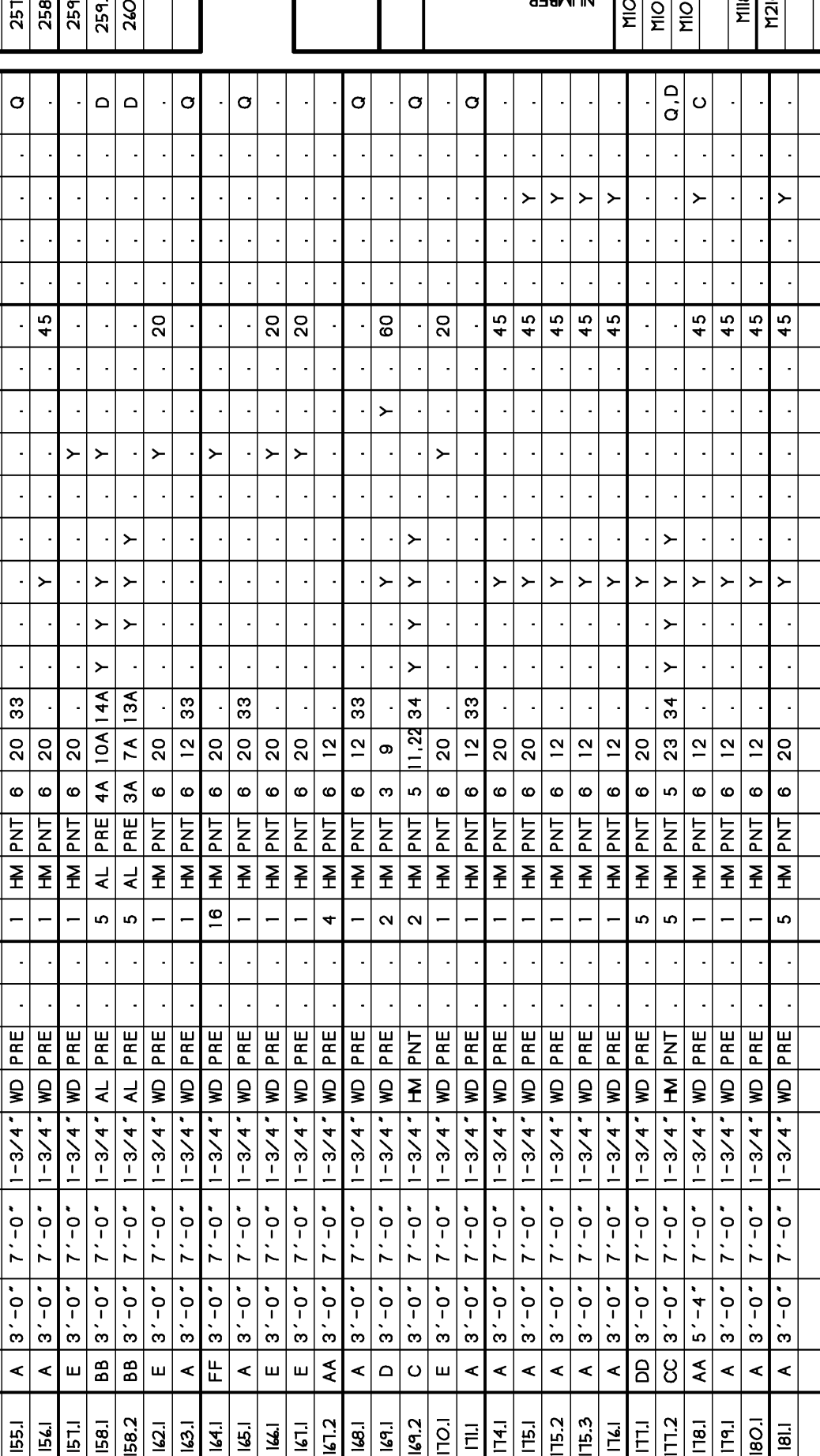
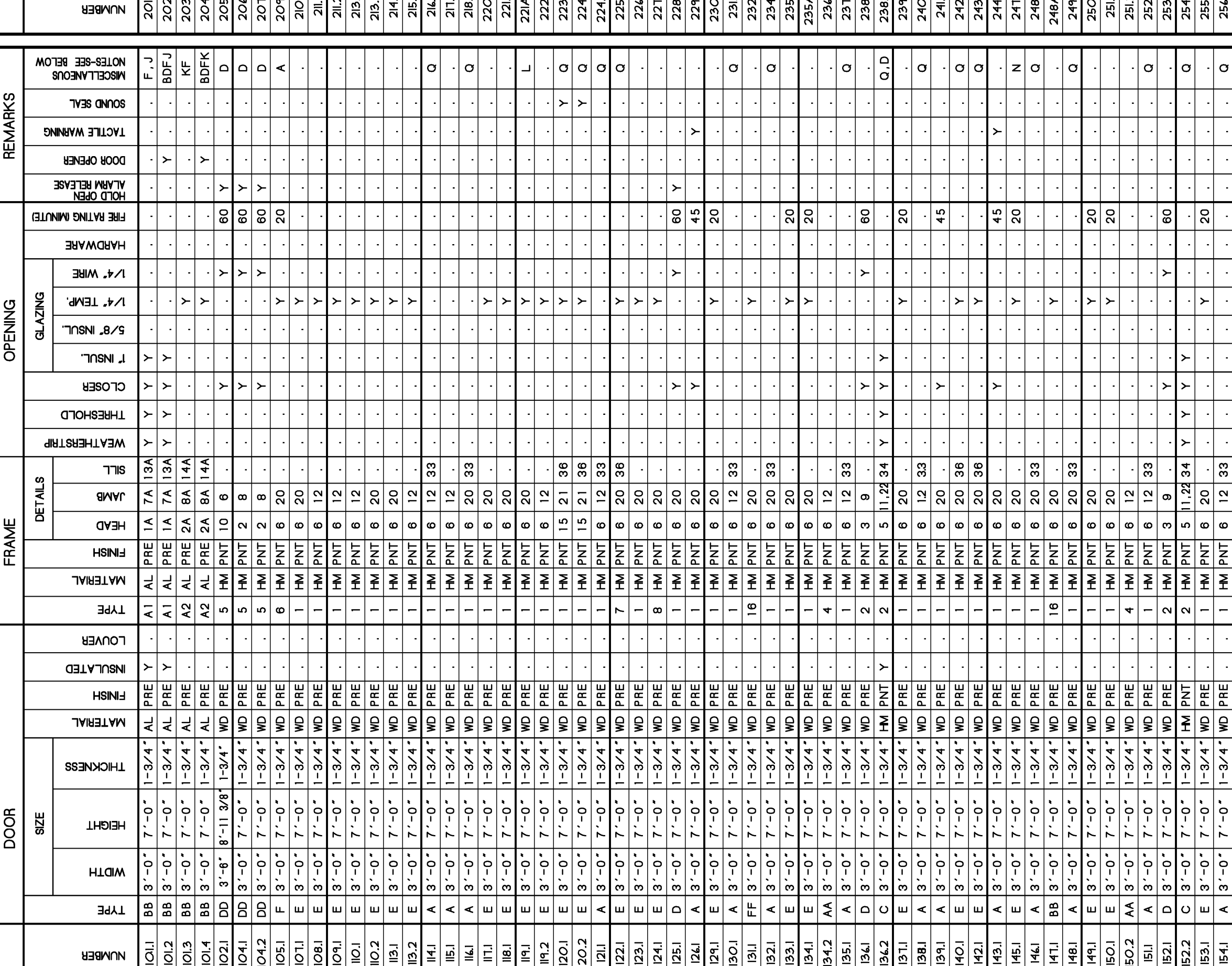
22 MAIN LOBBY PLAN - STOREFRONT
SCALE: 1/4"=1'-0"



23 CAFETERIA CURTAINWALL
SCALE: 1/4"=1'-0"



FRAME TYPES

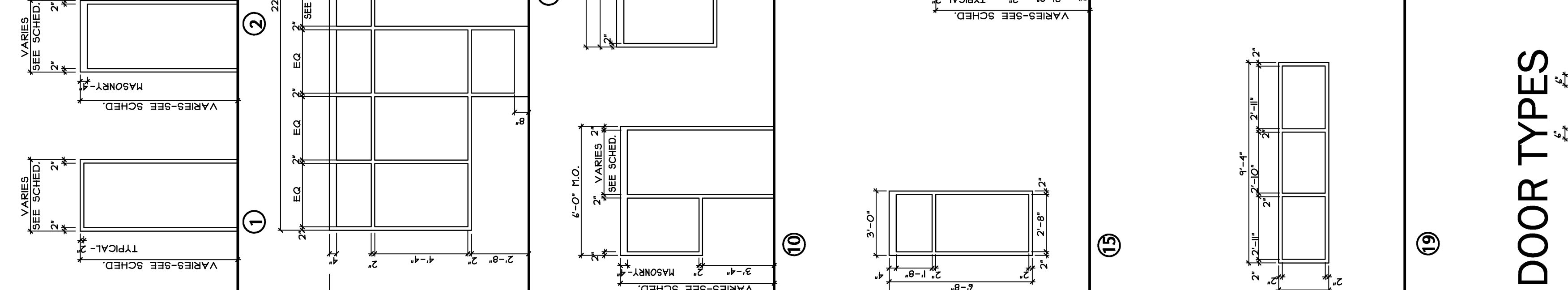


DOOR TYPES

MISCELLANEOUS NOTES AND DRAWINGS
DOOR AND OPENING SCHEDULES
A. GLASS SHALL BE INTERIOR FLOATED ALUMINUM GLASS. FRAME SYSTEM SHALL BE TYPICAL UNLESS OTHERWISE NOTED PER 2008 LIFE SAFETY CODE.
B. NON GLAZED OPENINGS WITH GLAZED TRANSOMS LOCATED IN LOBBY SHALL HAVE 1 1/2\"/>

GENERAL DOOR & FRAME NOTES
1. WALL DOORS WHERE NOTES OR DIMENSIONS NOT SPECIFIED SHALL BE 6\"/>

FRAME TYPES



DOOR TYPES

MISCELLANEOUS NOTES AND DRAWINGS
DOOR AND OPENING SCHEDULES
A. GLASS SHALL BE INTERIOR FLOATED ALUMINUM GLASS. FRAME SYSTEM SHALL BE TYPICAL UNLESS OTHERWISE NOTED PER 2008 LIFE SAFETY CODE.
B. NON GLAZED OPENINGS WITH GLAZED TRANSOMS LOCATED IN LOBBY SHALL HAVE 1 1/2\"/>

GENERAL DOOR & FRAME NOTES
1. WALL DOORS WHERE NOTES OR DIMENSIONS NOT SPECIFIED SHALL BE 6\"/>

DOOR SCHEDULE - SECOND FLOOR

NO.	DOOR			FRAME			OPENING			REMARKS							
	TYPE	WTH	HGT	MATERIAL	FINISH	HEAD	FINISH	MATERIAL	FINISH		GLAZING	THRESHOLD	WEATHERSTRIP	FINISH	MATERIAL	FINISH	INSULATION
2001	50	3'-0"	7'-0"	1-5/8\"/>													

DOOR SCHEDULE - FIRST FLOOR

NO.	DOOR			FRAME			OPENING			REMARKS							
	TYPE	WTH	HGT	MATERIAL	FINISH	HEAD	FINISH	MATERIAL	FINISH		GLAZING	THRESHOLD	WEATHERSTRIP	FINISH	MATERIAL	FINISH	INSULATION
3001	50	3'-0"	7'-0"	1-5/8\"/>													

MISCELLANEOUS OPENING SCHEDULE

NO.	DIMENSION		REMARKS
	WIDTH	HEIGHT	
M001	6'-0"	6'-0"	OPERABLE PARTITION
M002	8'-0"	6'-0"	OPERABLE PARTITION (CAM TO STUD D.M.)
M003	8'-0"	6'-0"	OPERABLE PARTITION

MISCELLANEOUS OPENING SCHEDULE

NO.	DIMENSION		REMARKS
	WIDTH	HEIGHT	
M001	6'-0"	6'-0"	OPERABLE PARTITION
M002	8'-0"	6'-0"	OPERABLE PARTITION (CAM TO STUD D.M.)
M003	8'-0"	6'-0"	OPERABLE PARTITION