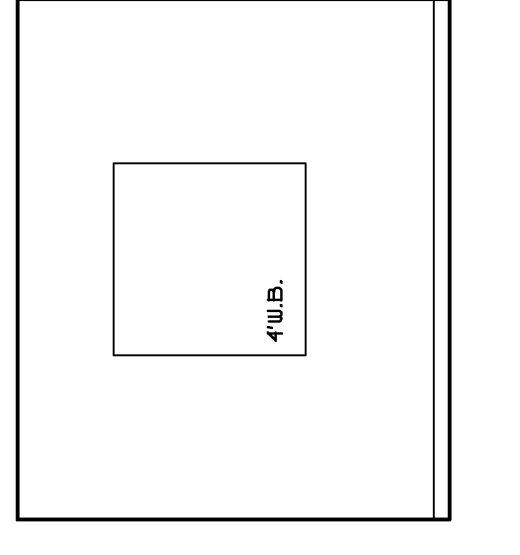
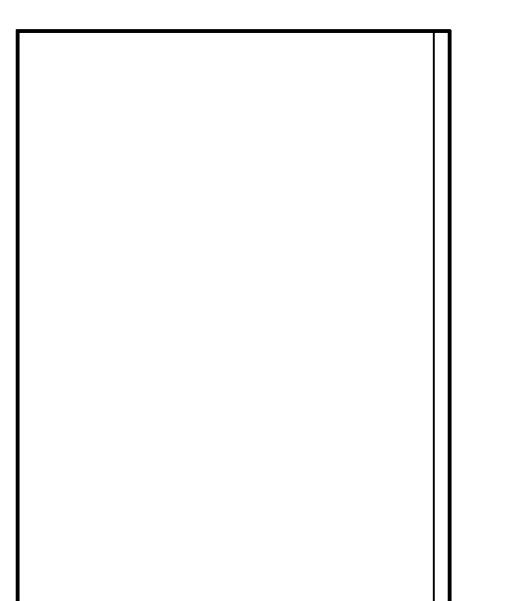


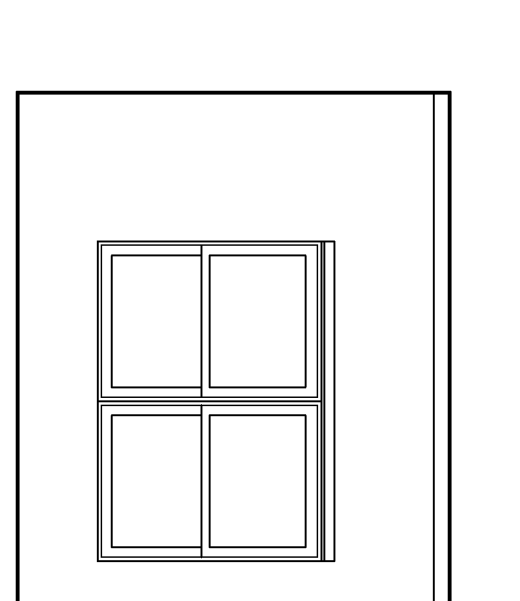
1 GUIDANCE GROUP I17
A1.3 SCALE: 1/4" = 1'-0"



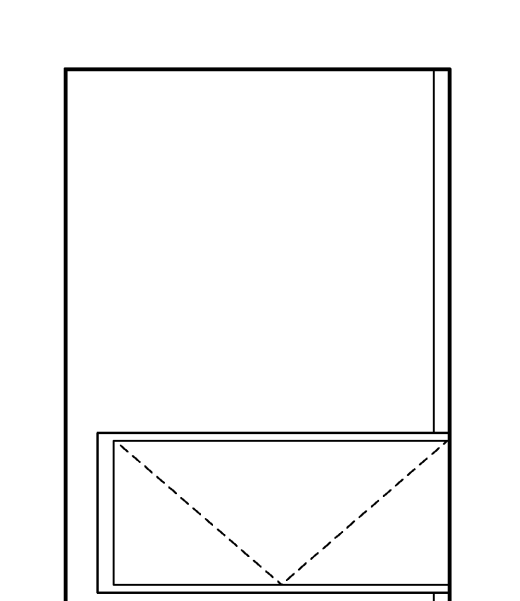
2 GUIDANCE GROUP I17
A1.3 SCALE: 1/4" = 1'-0"



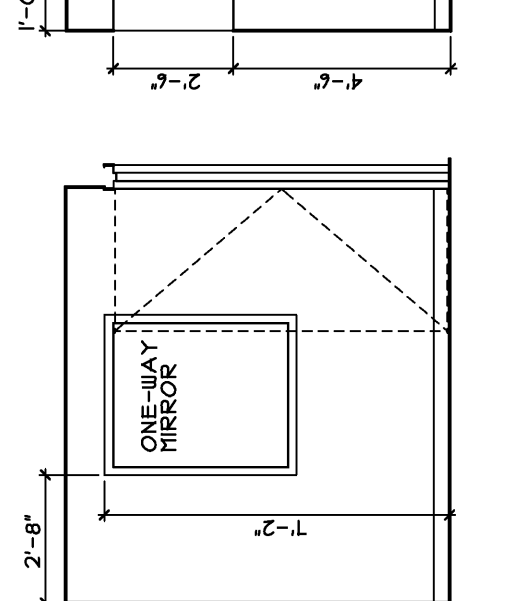
3 GUIDANCE GROUP I17
A1.3 SCALE: 1/4" = 1'-0"



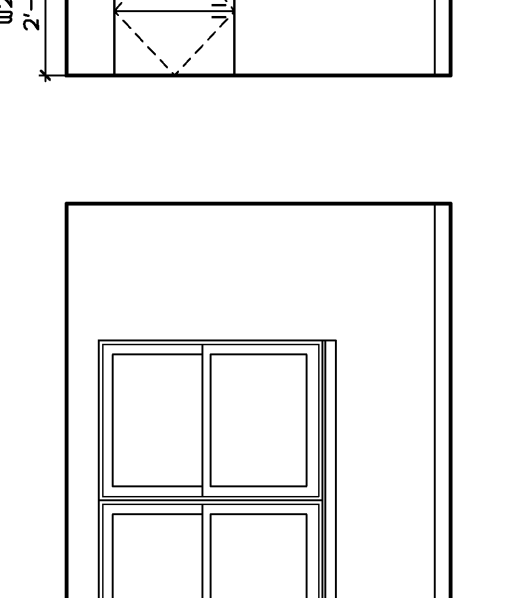
4 GUIDANCE GROUP I17
A1.3 SCALE: 1/4" = 1'-0"



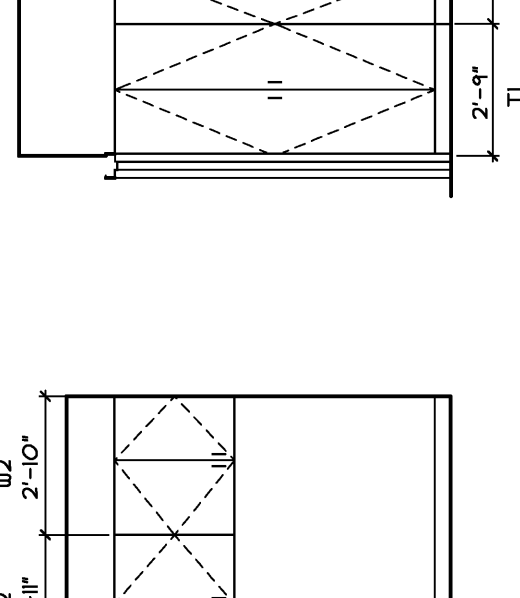
5 G. OFFICE I18
A1.3 SCALE: 1/4" = 1'-0"



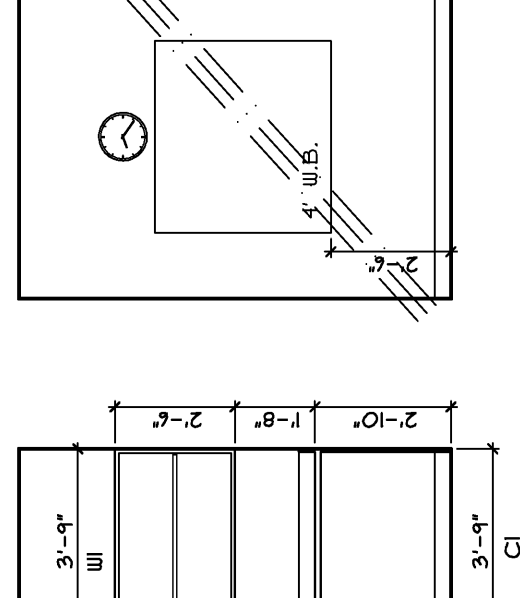
6 G. OFFICE I18
A1.3 SCALE: 1/4" = 1'-0"



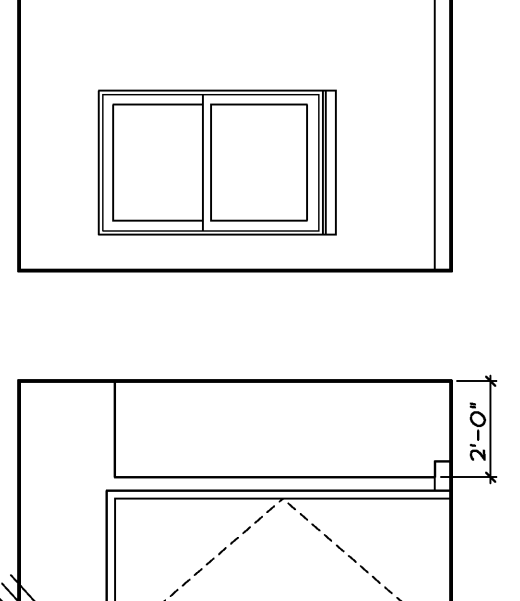
7 G. OFFICE I18
A1.3 SCALE: 1/4" = 1'-0"



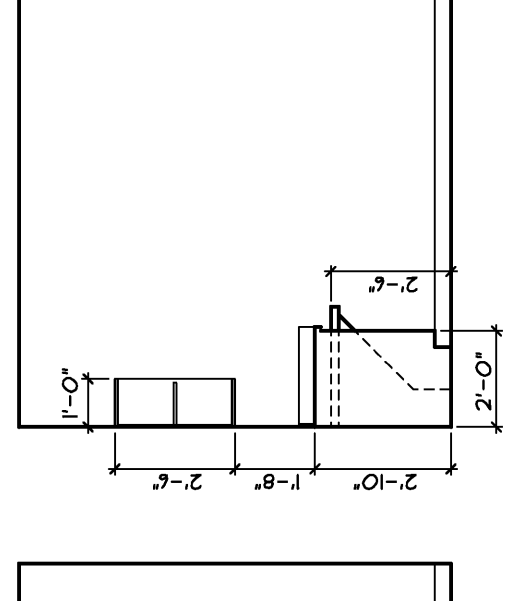
8 G. OFFICE I18
A1.3 SCALE: 1/4" = 1'-0"



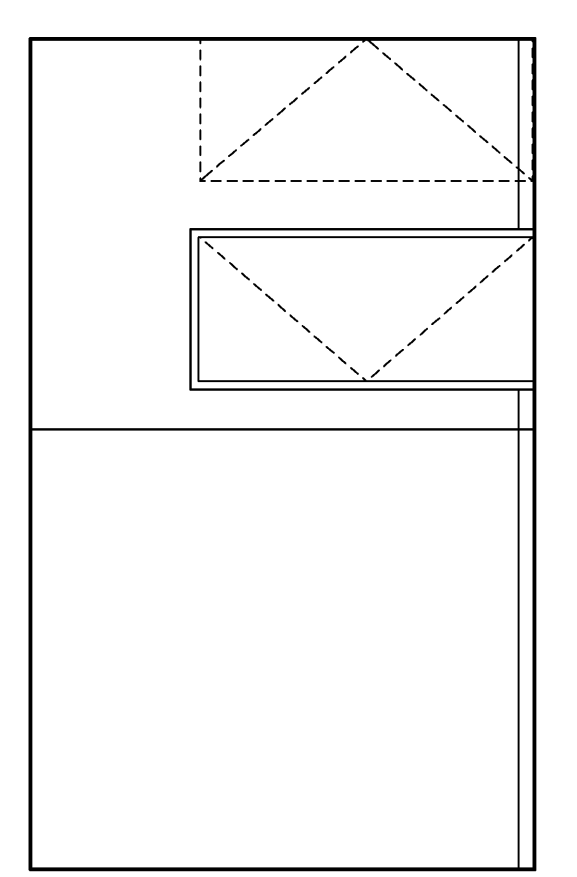
9 SPEECH M2, 231
A1.3 SCALE: 1/4" = 1'-0"



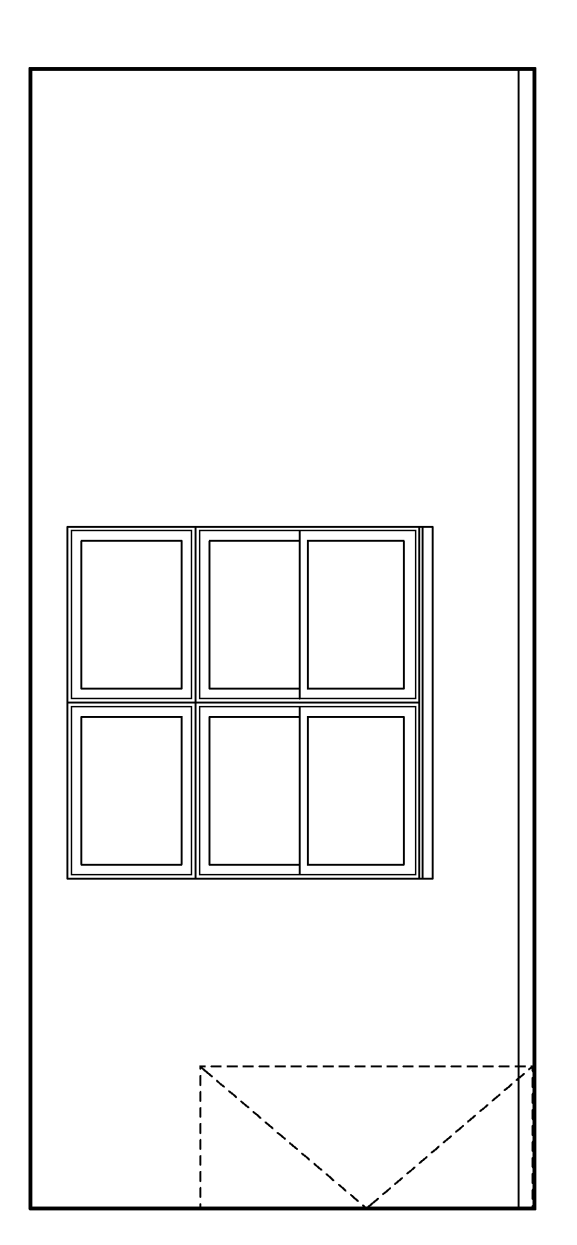
10 SPEECH M2, 231
A1.3 SCALE: 1/4" = 1'-0"



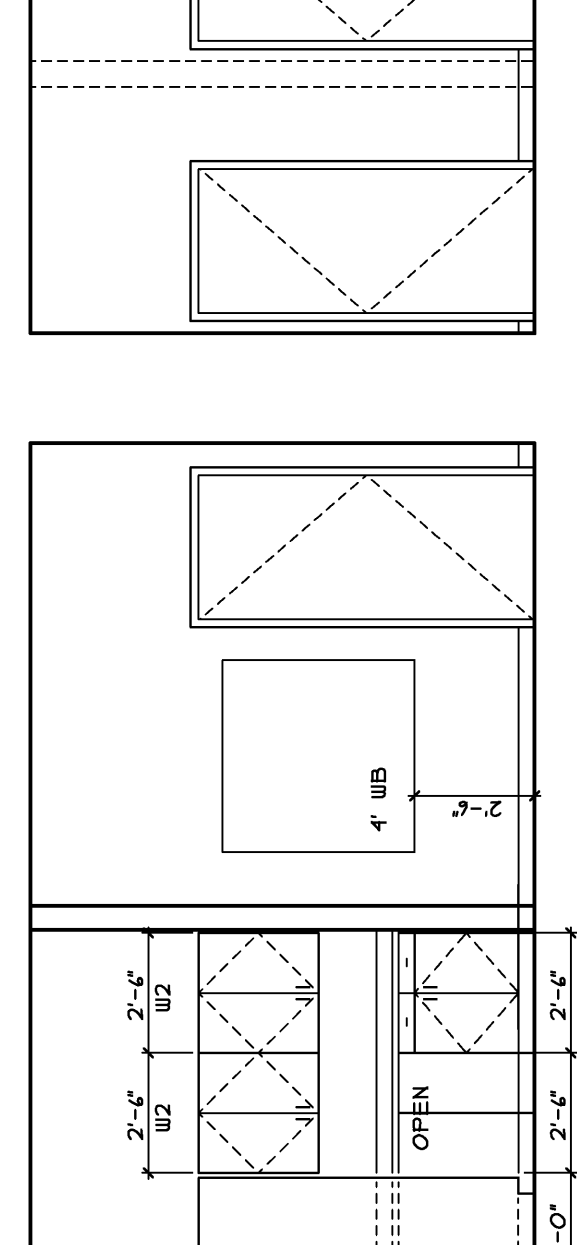
12 SPEECH I42, 231
A1.3 SCALE: 1/4" = 1'-0"



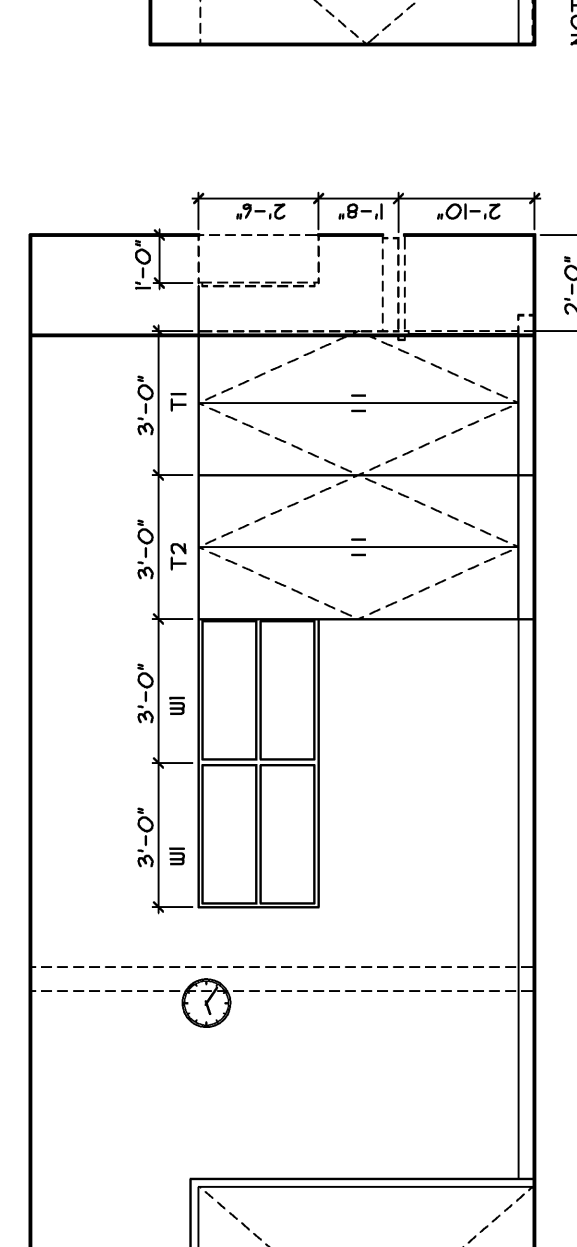
13 SELF-CONTAINED I19
A1.3 SCALE: 1/4" = 1'-0"



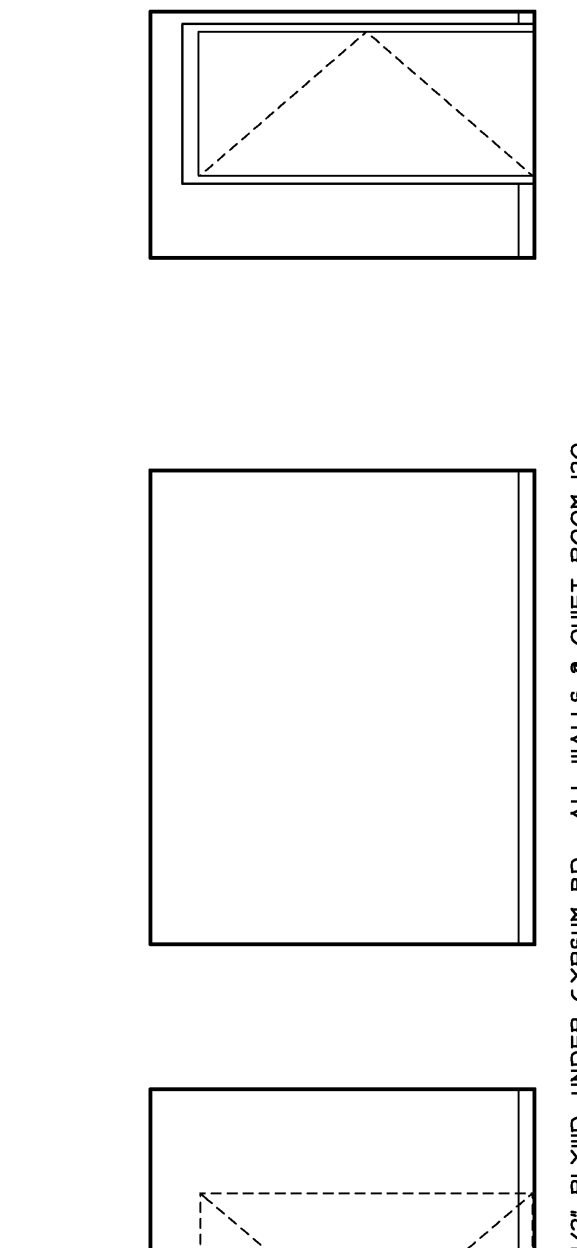
14 SELF-CONTAINED I19
A1.3 SCALE: 1/4" = 1'-0"



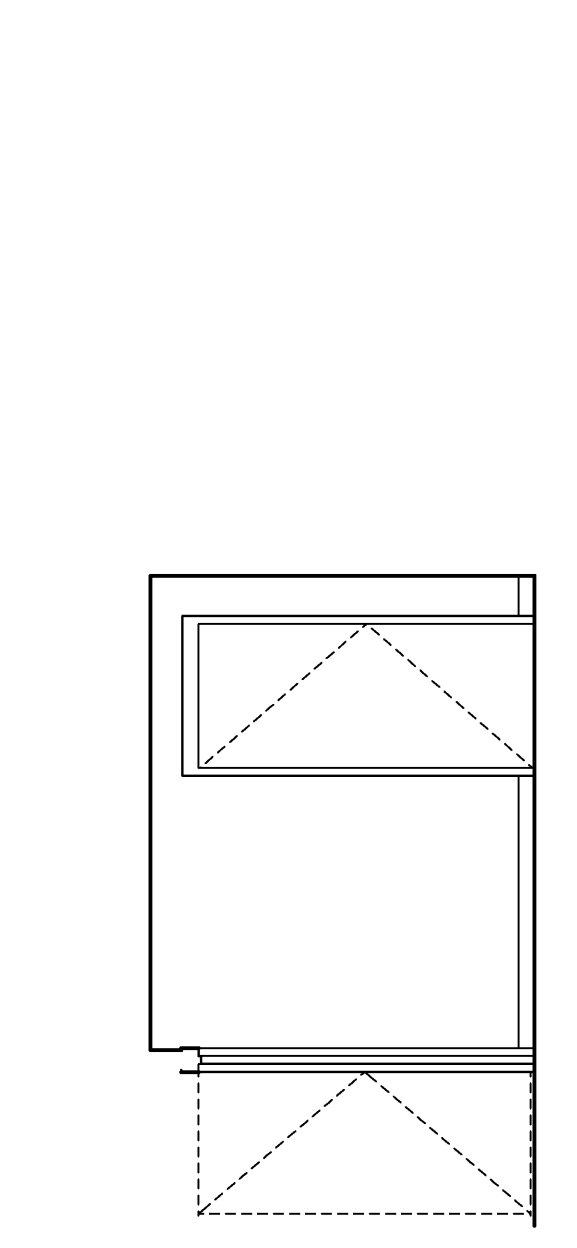
15 SELF-CONTAINED I19
A1.3 SCALE: 1/4" = 1'-0"



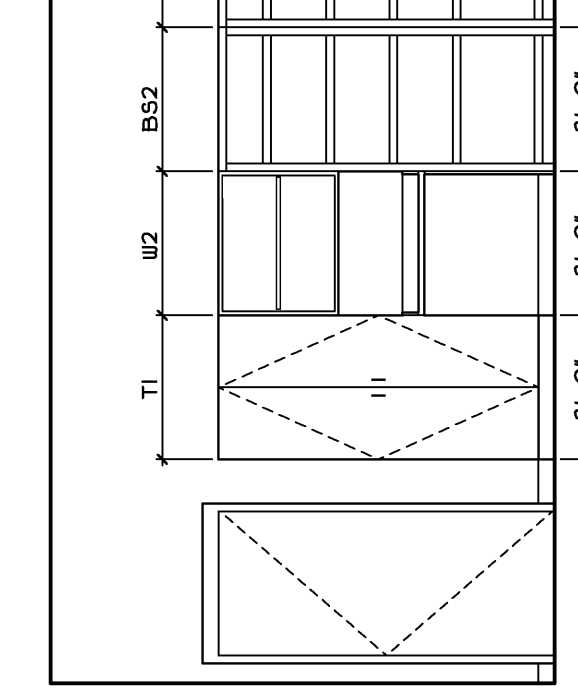
17 QUIET I20
A1.3 SCALE: 1/4" = 1'-0"



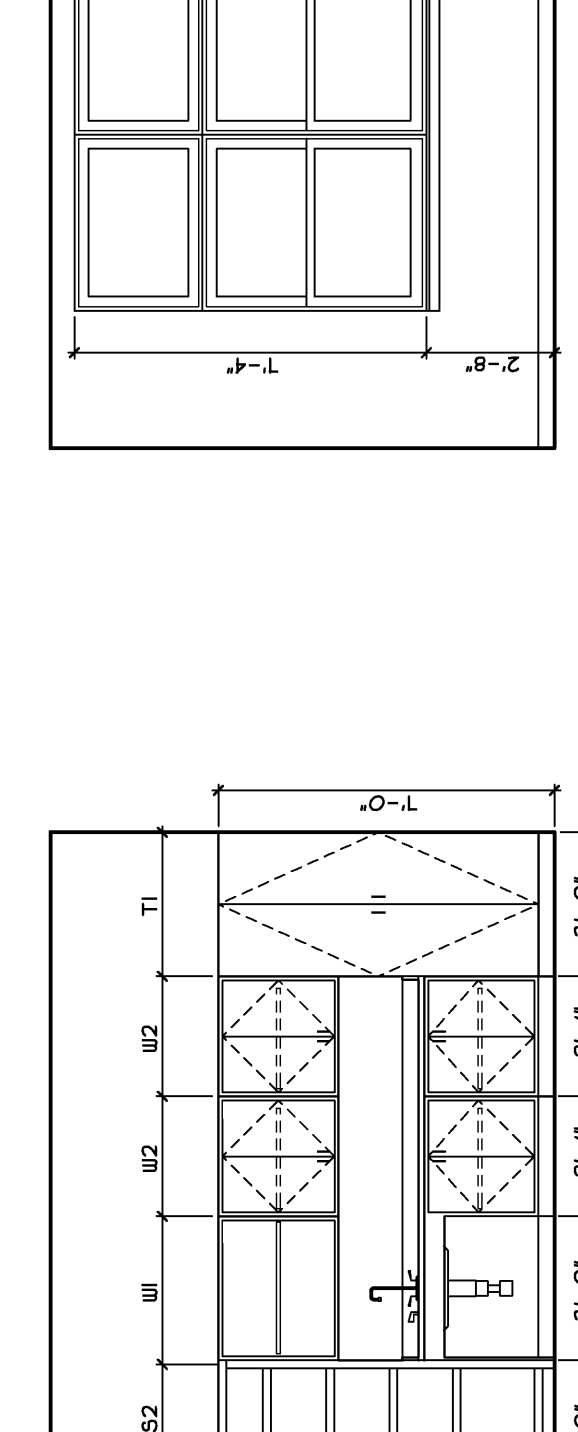
19 QUIET I20
A1.3 SCALE: 1/4" = 1'-0"



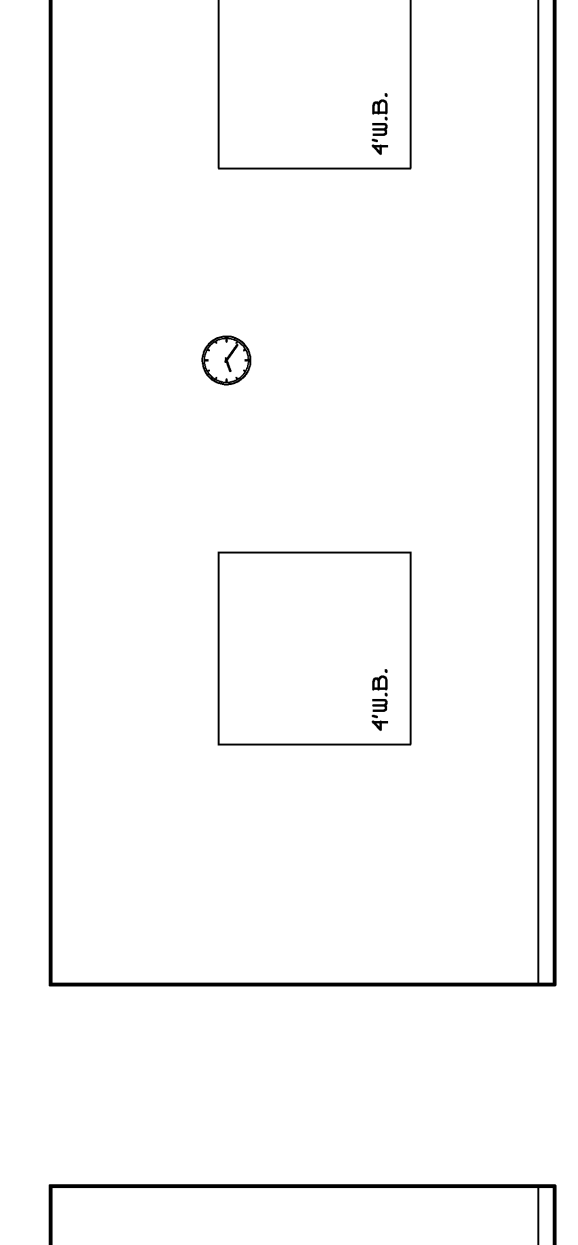
20 QUIET I20
A1.3 SCALE: 1/4" = 1'-0"



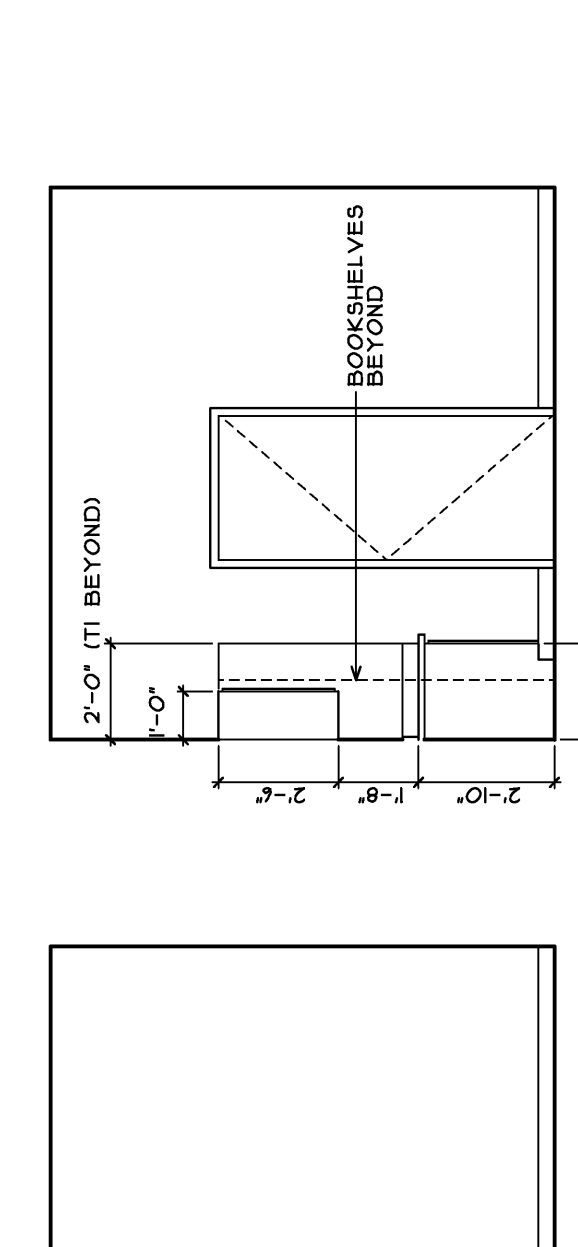
20 RESOURCE I23
A1.3 SCALE: 1/4" = 1'-0"



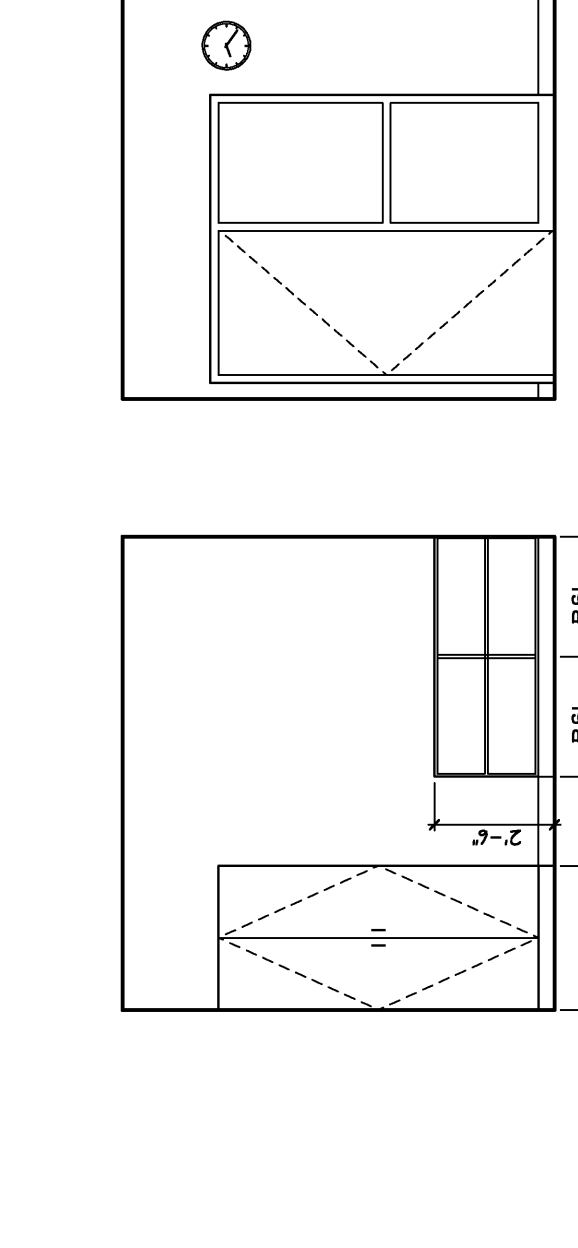
21 RESOURCE I23
A1.3 SCALE: 1/4" = 1'-0"



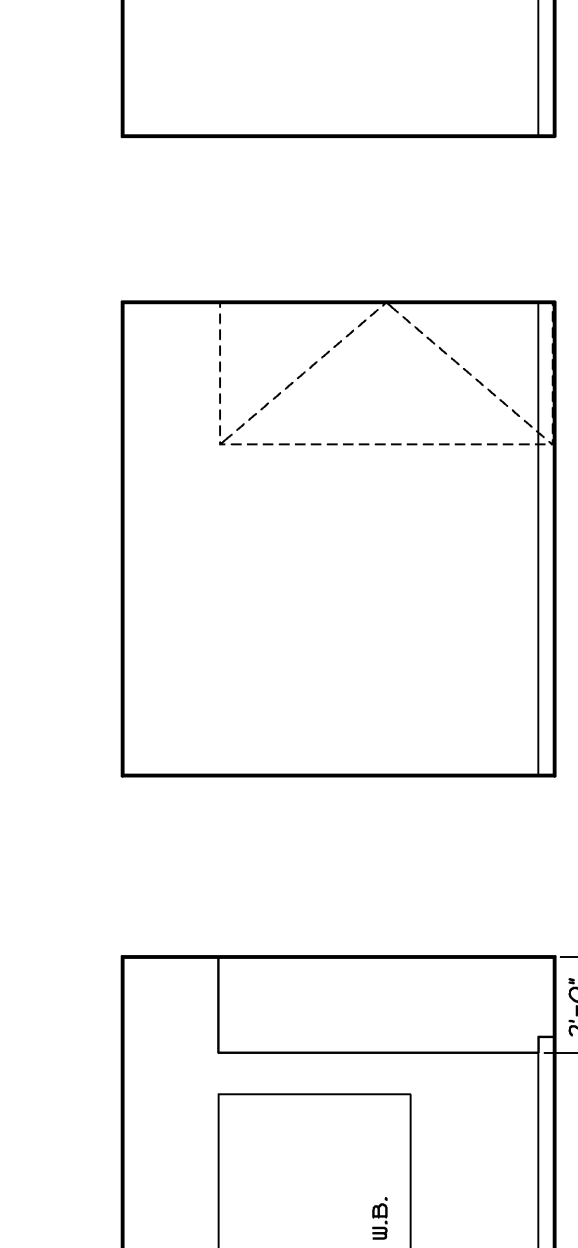
22 RESOURCE I23
A1.3 SCALE: 1/4" = 1'-0"



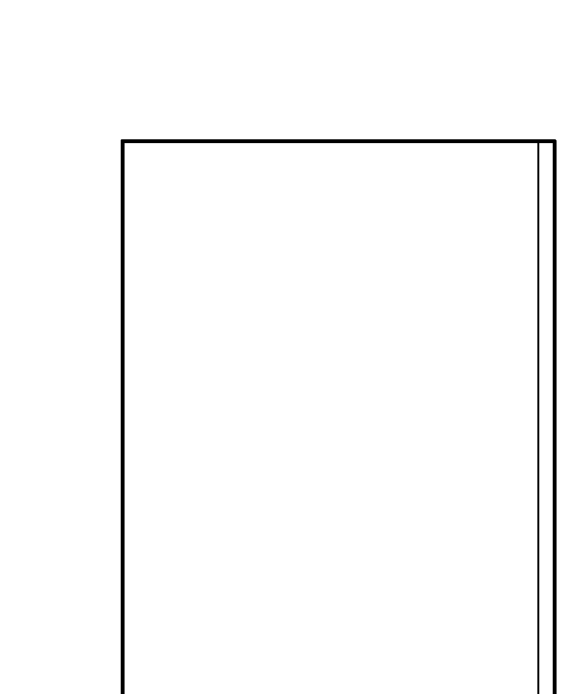
23 RESOURCE I23
A1.3 SCALE: 1/4" = 1'-0"



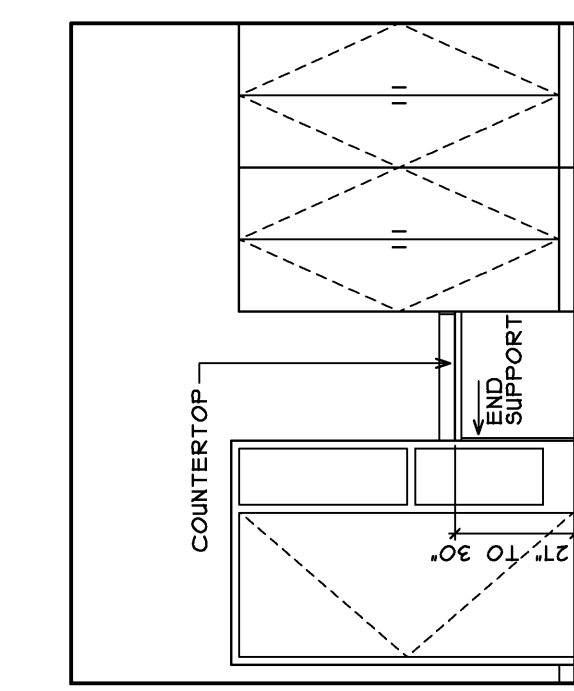
24 READ, RECOVERY I22
A1.3 SCALE: 1/4" = 1'-0"



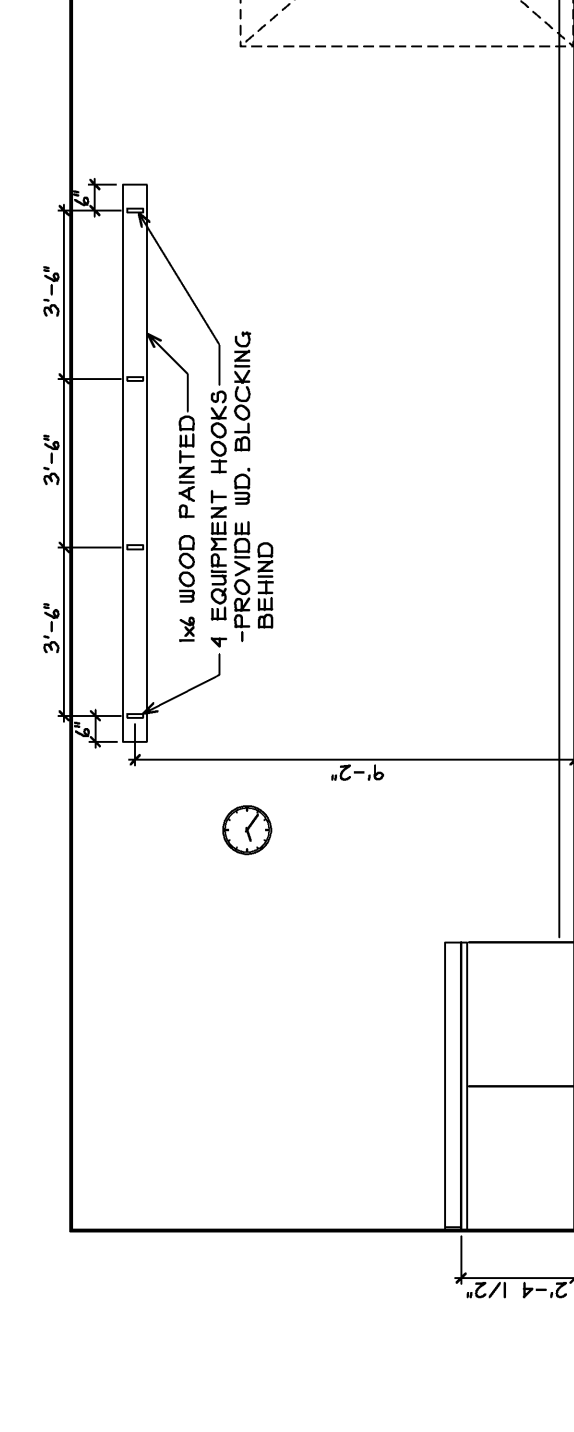
25 READ, RECOVERY I22
A1.3 SCALE: 1/4" = 1'-0"



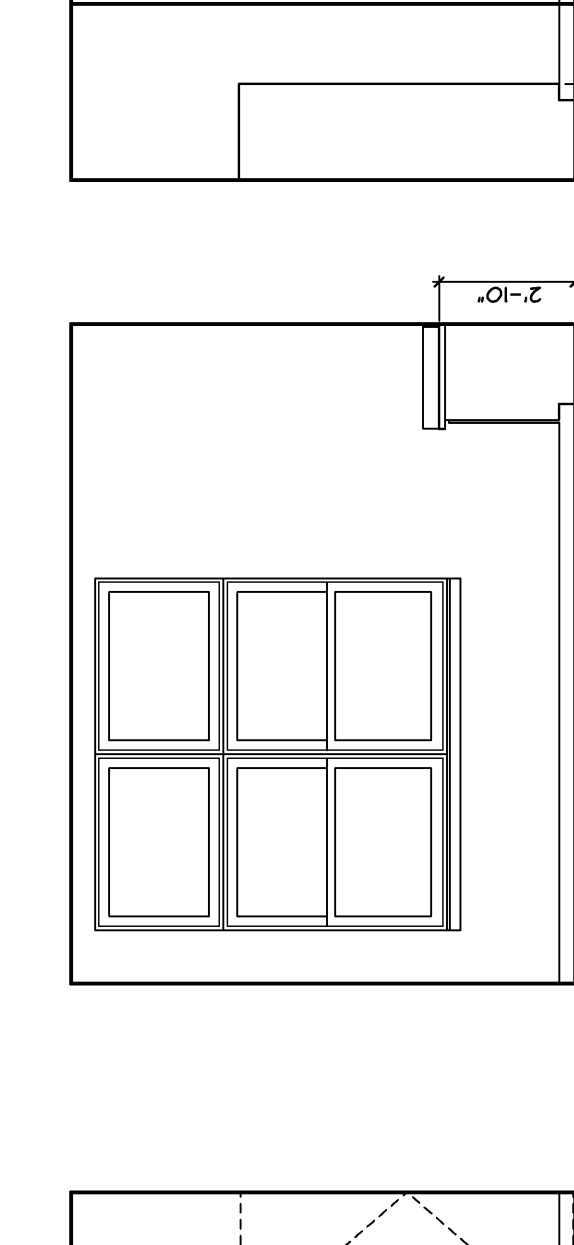
27 READ, RECOVERY I22
A1.3 SCALE: 1/4" = 1'-0"



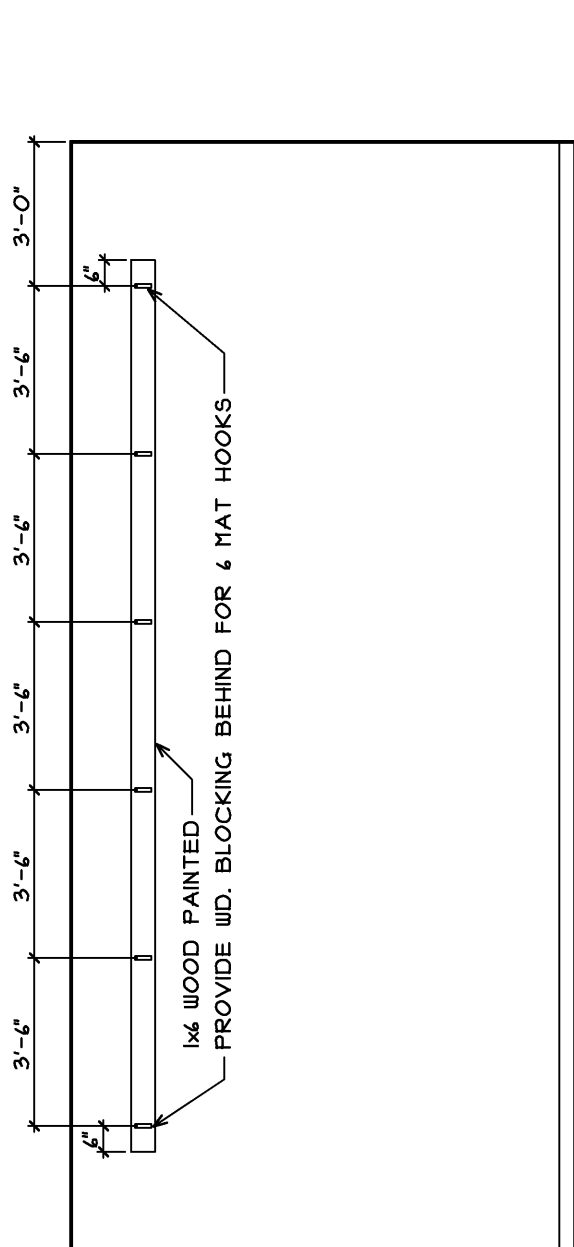
28 O.T./P.T. I24
A1.3 SCALE: 1/4" = 1'-0"



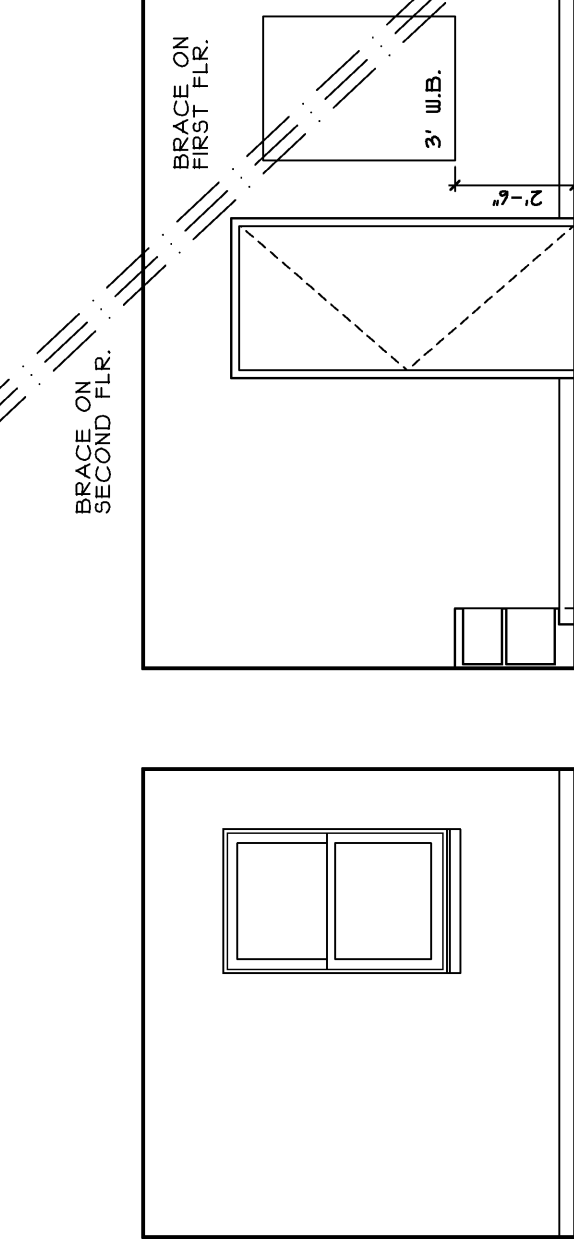
29 O.T./P.T. I24
A1.3 SCALE: 1/4" = 1'-0"



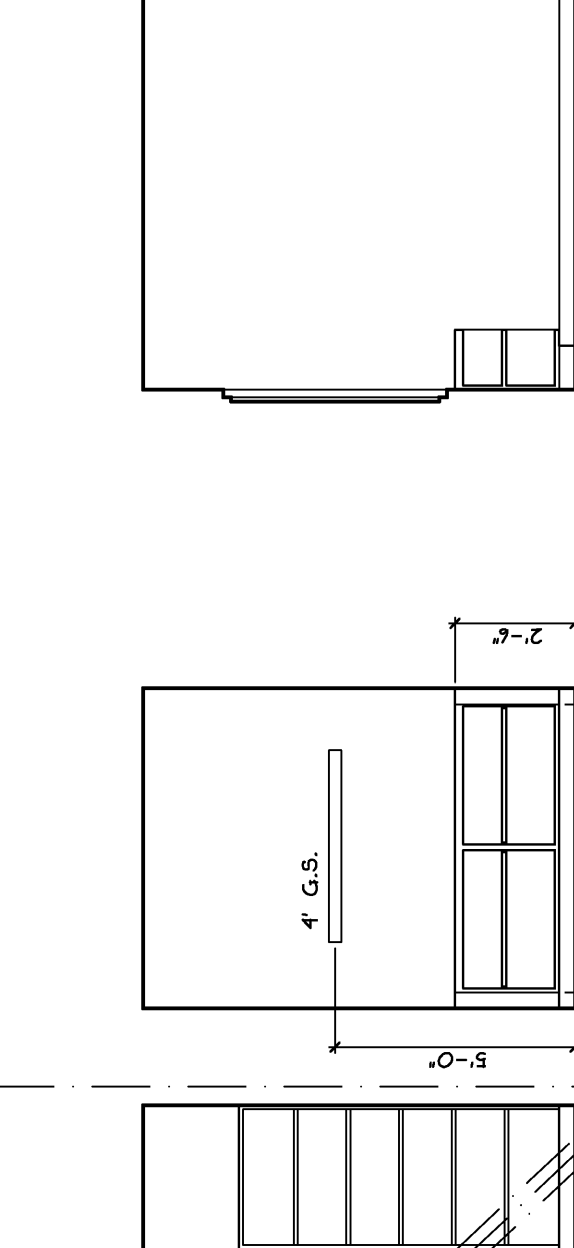
30 O.T./P.T. I24
A1.3 SCALE: 1/4" = 1'-0"



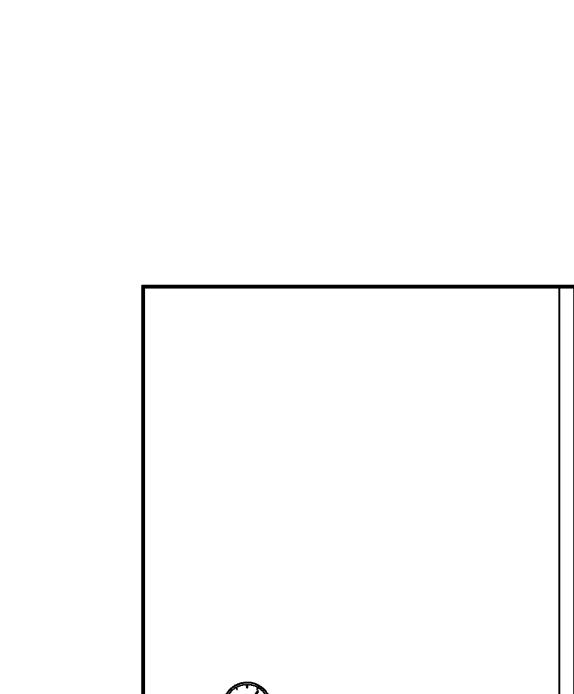
31 O.T./P.T. I24
A1.3 SCALE: 1/4" = 1'-0"



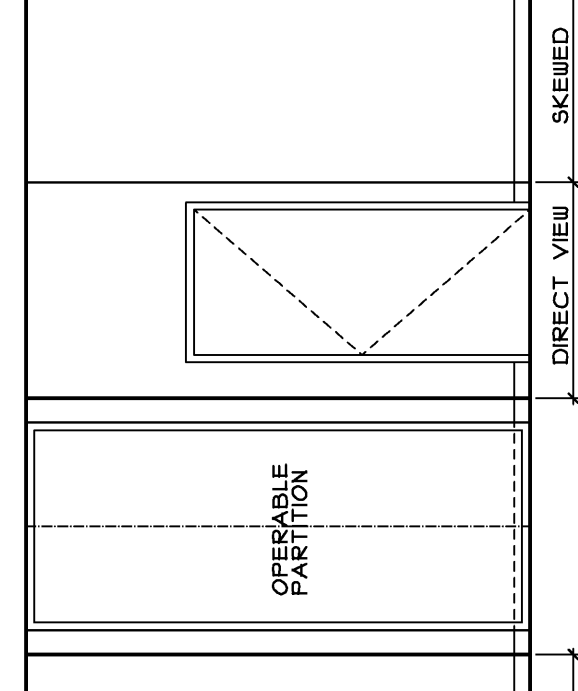
32 READ, RECOVERY I40, 230
A1.3 SCALE: 1/4" = 1'-0"



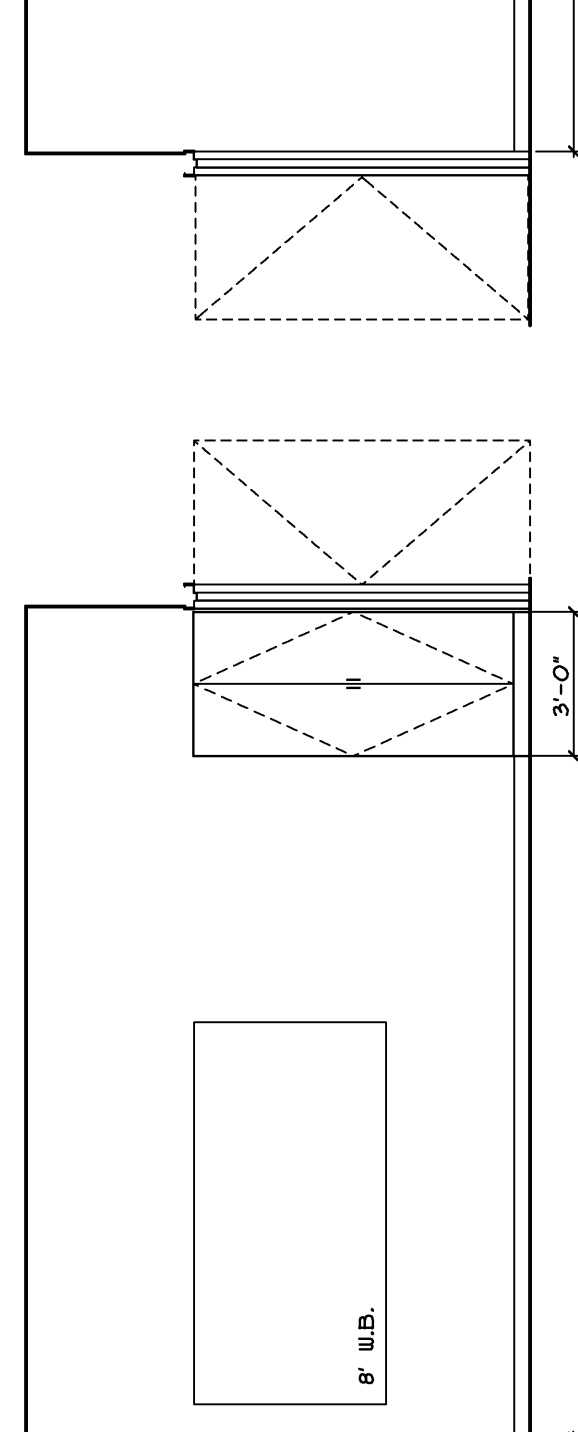
34 READ, RECOVERY I40, 230
A1.3 SCALE: 1/4" = 1'-0"



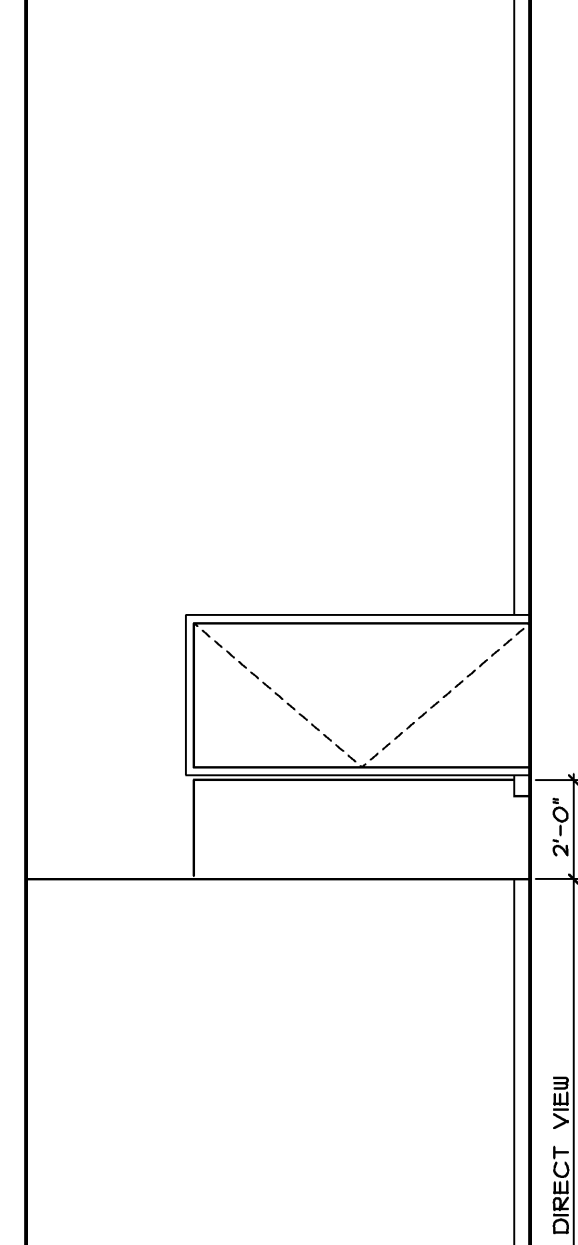
35 READ, RECOVERY I40, 230
A1.3 SCALE: 1/4" = 1'-0"



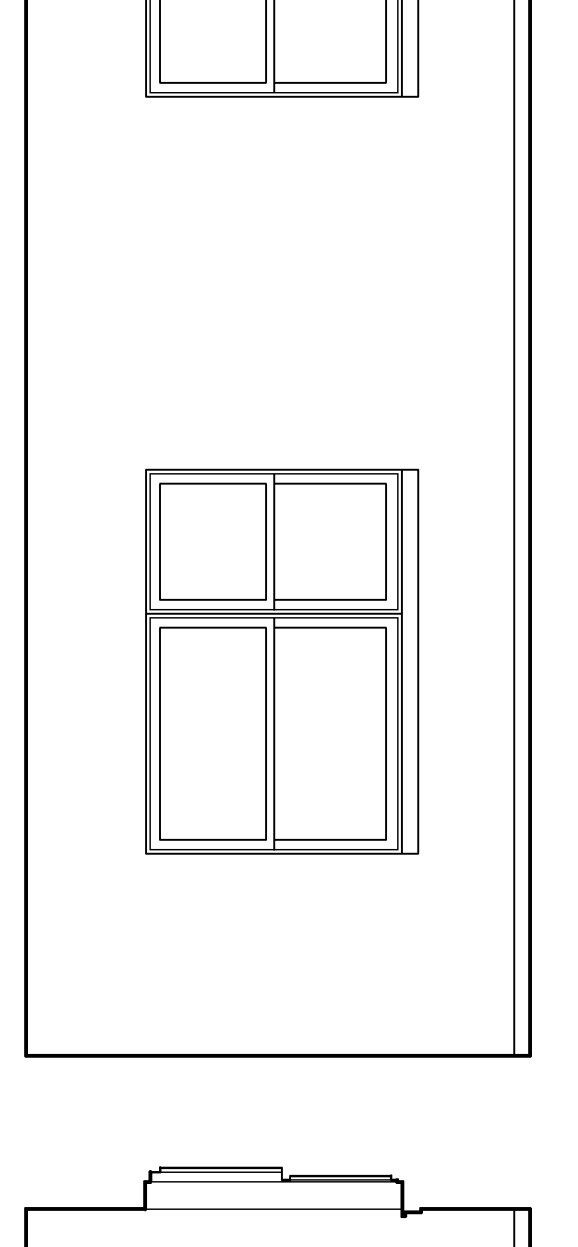
36 COMMUNITY MEETING 308/309
A1.3 SCALE: 1/4" = 1'-0"



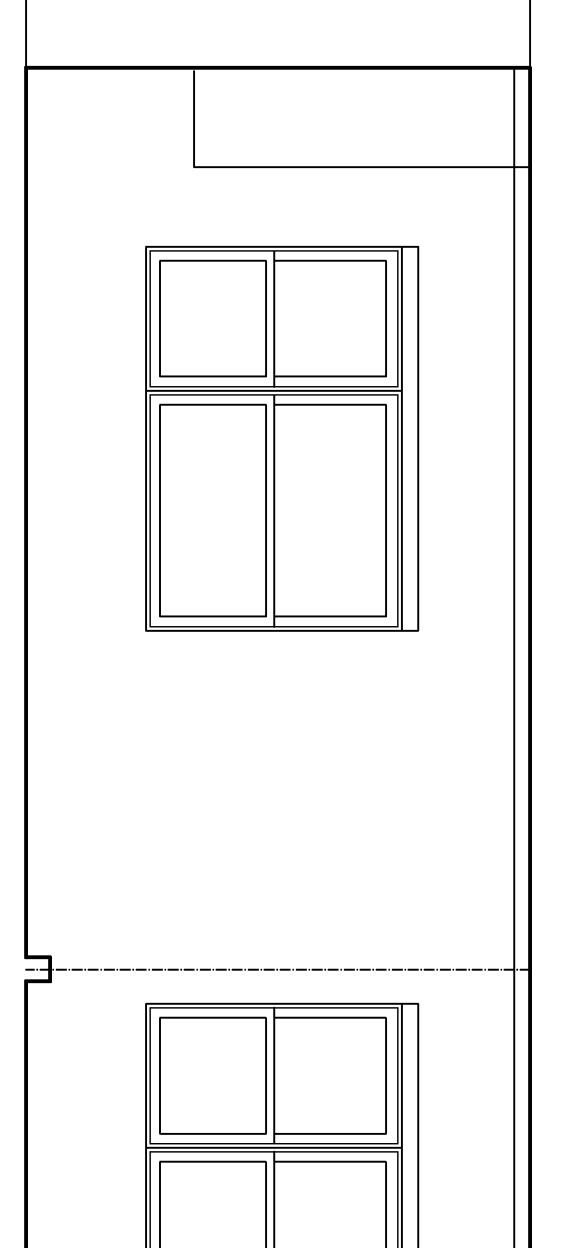
37 COMMUNITY MEETING 308/309
A1.3 SCALE: 1/4" = 1'-0"



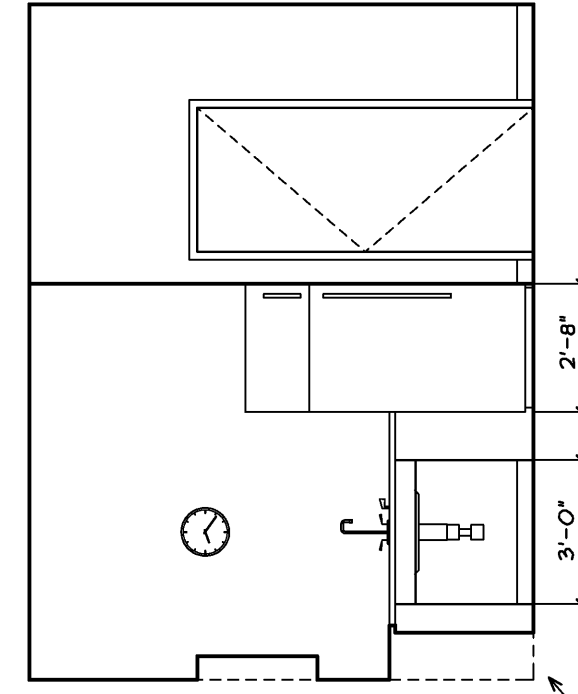
38 COMMUNITY MEETING 308
A1.3 SCALE: 1/4" = 1'-0"



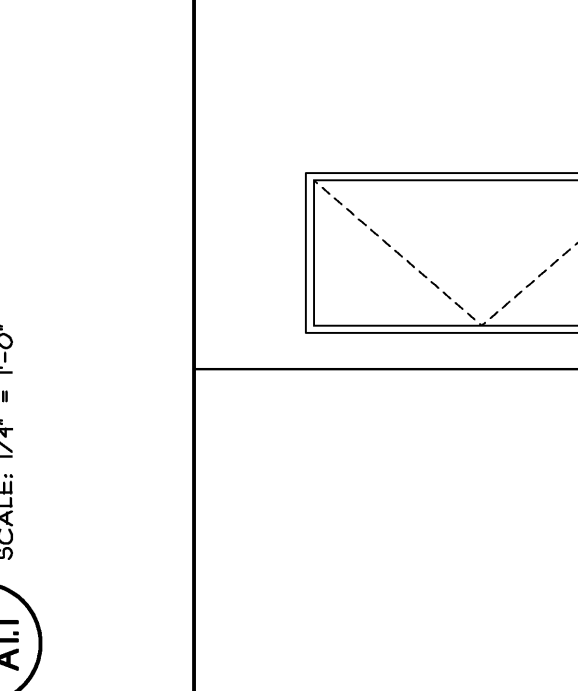
39 COMMUNITY MEETING 309
A1.3 SCALE: 1/4" = 1'-0"



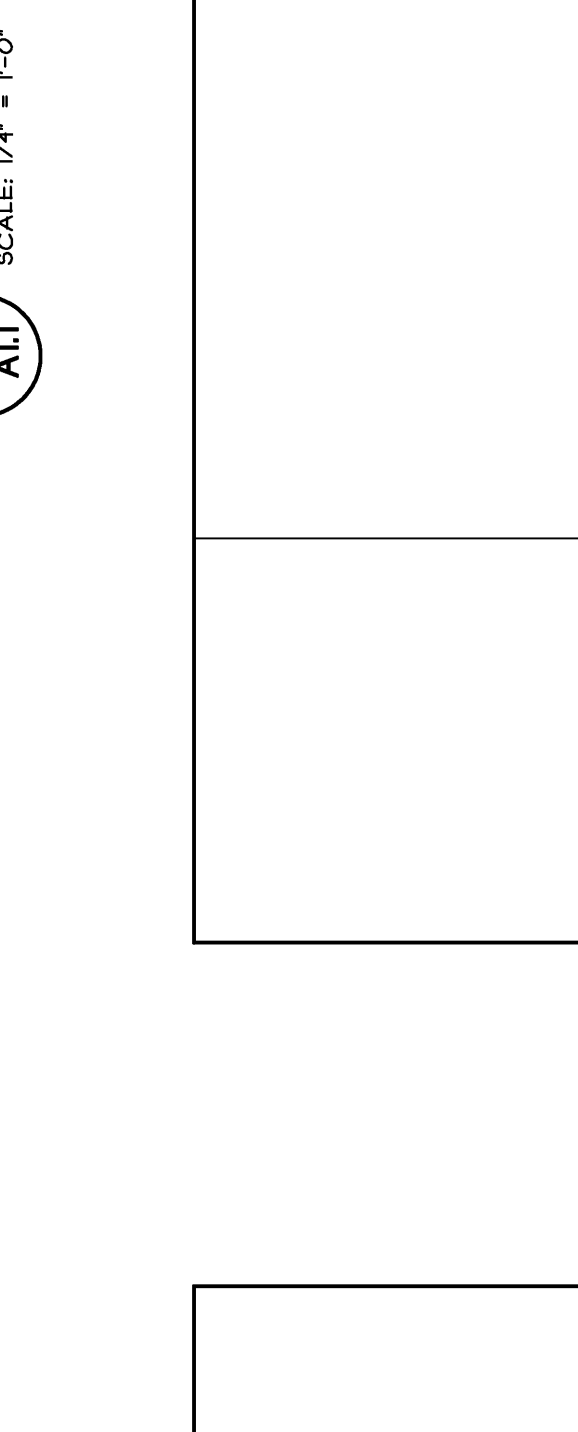
40 COMMUNITY MEETING 309
A1.3 SCALE: 1/4" = 1'-0"



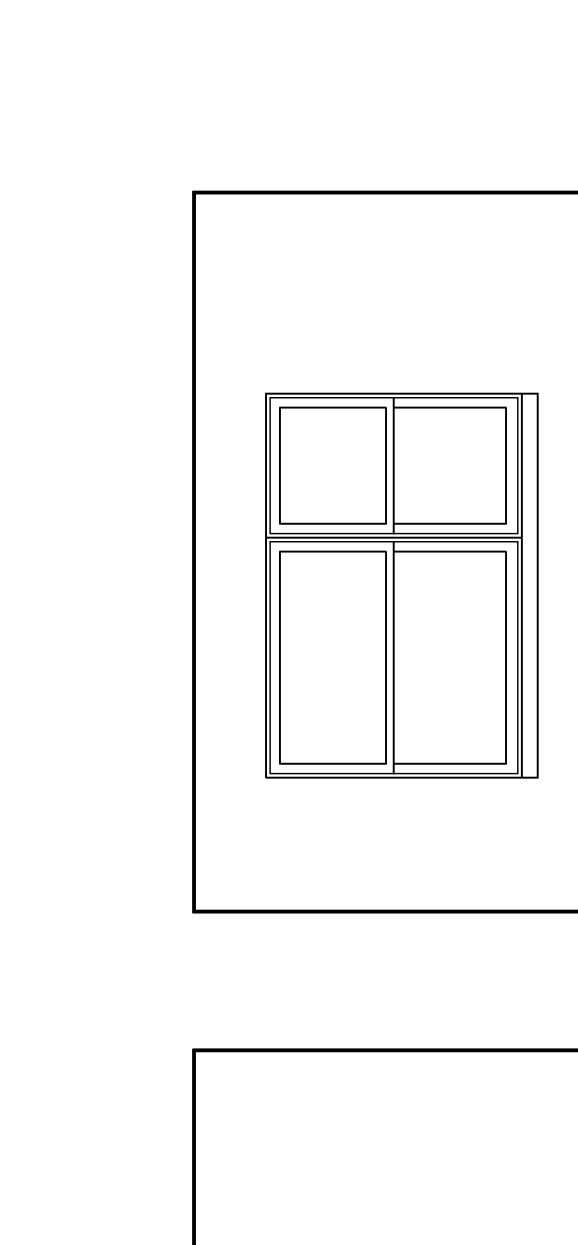
40 COMMUNITY MEETING 309
A1.3 SCALE: 1/4" = 1'-0"



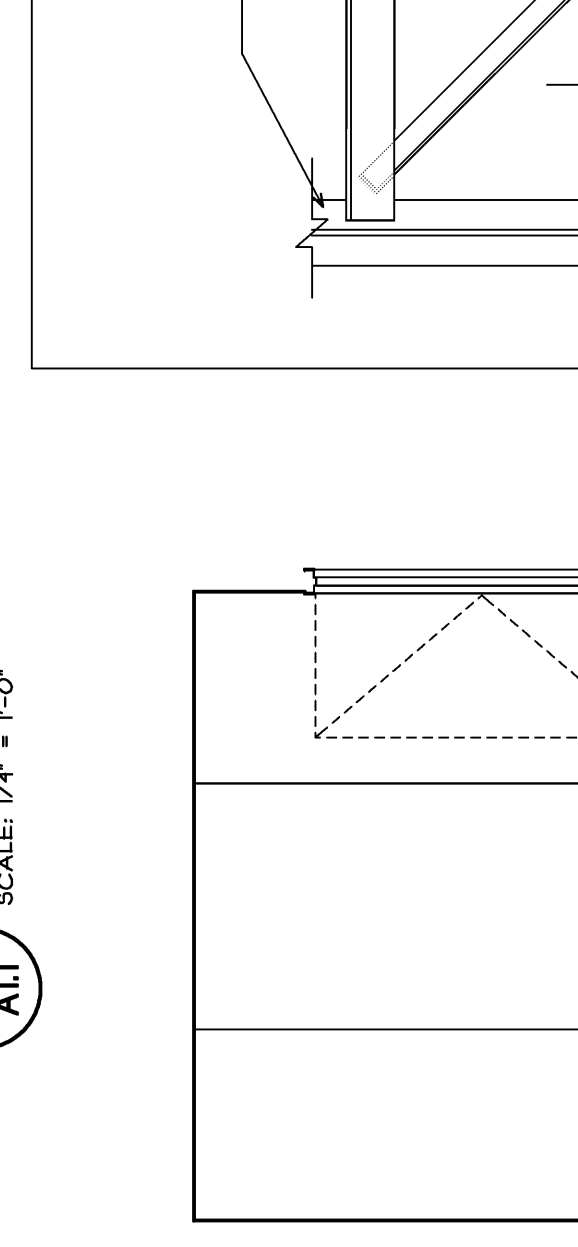
41 FAMILY RESOURCE 311
A1.3 SCALE: 1/4" = 1'-0"



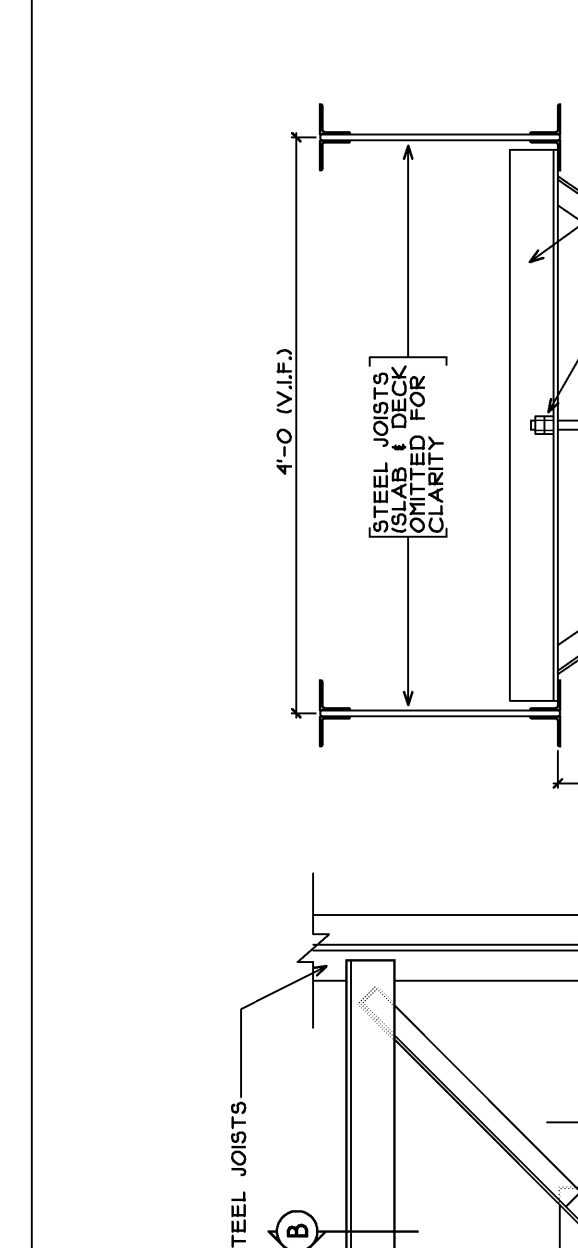
42 FAMILY RESOURCE 311
A1.3 SCALE: 1/4" = 1'-0"



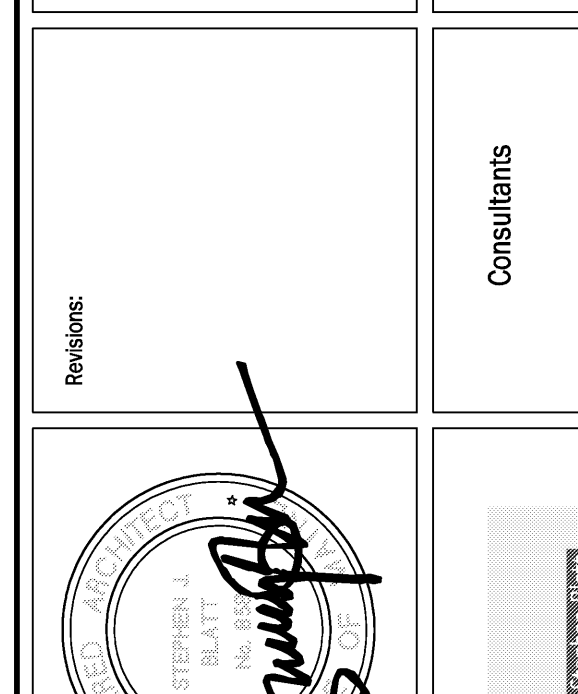
43 FAMILY RESOURCE 311
A1.3 SCALE: 1/4" = 1'-0"



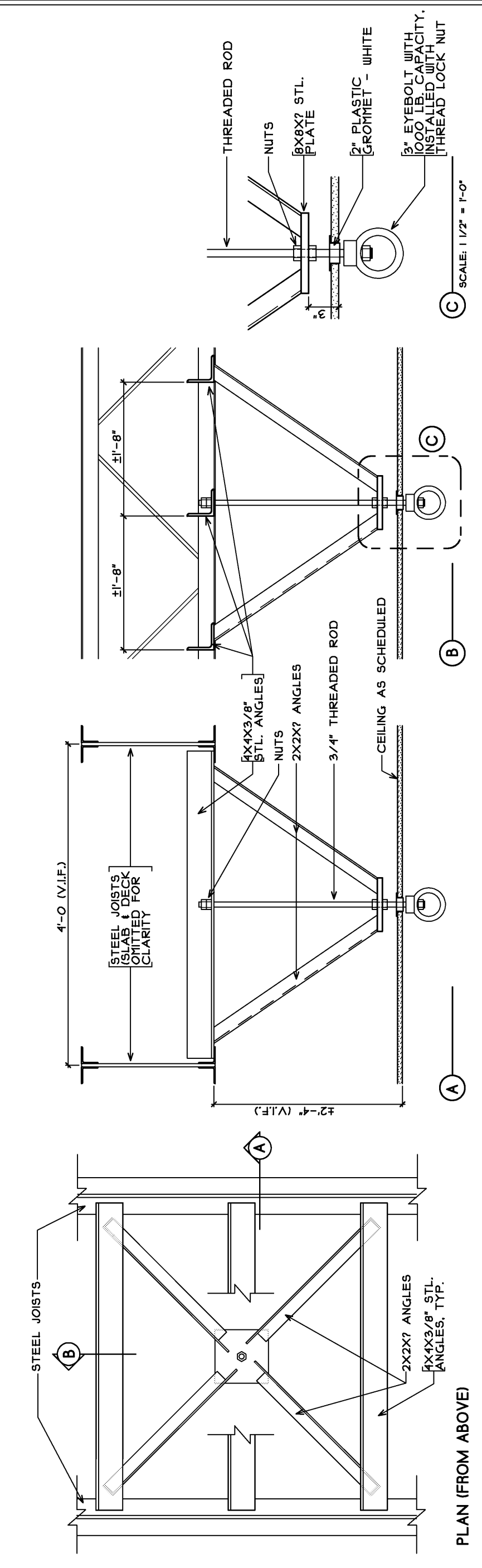
44 FAMILY RESOURCE 311
A1.3 SCALE: 1/4" = 1'-0"



44 FAMILY RESOURCE 311
A1.3 SCALE: 1/4" = 1'-0"



44 FAMILY RESOURCE 311
A1.3 SCALE: 1/4" = 1'-0"



SWING HOOK INSTALLATION DETAIL - OT/PT
SCALE: 3/4" = 1'-0"

East End Elementary School
Portland Public Schools
Portland, Maine

CONSULTANTS
Civil Engineer
Dulac-Hoffman Associates
Landscape Architect
Carroll Associates
Structural Engineer
Pinkham & Greer
Mechanical Engineer
Bennett Engineering
Electrical Engineer
Barnfield Design
Interior Elevations
P/P/PT, Staff, Lobby,
JMSIC.

DATE: 0208, 2004
SCALE: 1/4" = 1'-0"
DRAWN BY: JH
CHECKED BY: JH
DRAWING TITLE: Interior Elevations
P/P/PT, Staff, Lobby,
JMSIC.

105 Franklin Street
Portland, ME 04103
Tel: 603.775.1111
Fax: 603.775.1111
www.dulac-hoffman.com

105 Franklin Street
Portland, ME 04103
Tel: 603.775.1111
Fax: 603.775.1111
www.dulac-hoffman.com