

1 FRONT OFFICE 105
A11 SCALE: 1/4" = 1'-0"

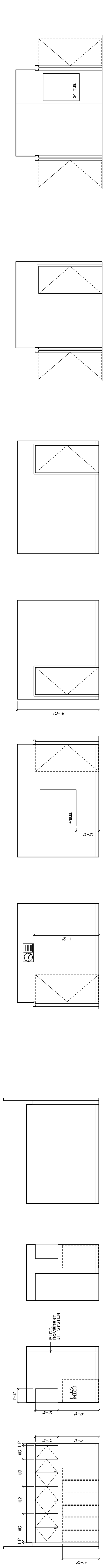
2 FRONT OFFICE 105
A11 SCALE: 1/4" = 1'-0"

3 FRONT OFFICE 105
A11 SCALE: 1/4" = 1'-0"

4 FRONT OFFICE 105
A11 SCALE: 1/4" = 1'-0"

5 FRONT OFFICE 105
A11 SCALE: 1/4" = 1'-0"

6 FRONT OFFICE 105
A11 SCALE: 1/4" = 1'-0"



7 CORRIDOR A 107
A12 SCALE: 1/4" = 1'-0"

8 CORRIDOR A 107
A12 SCALE: 1/4" = 1'-0"

9 CORRIDOR A 107
A12 SCALE: 1/4" = 1'-0"

10 FILES 106
A11 SCALE: 1/4" = 1'-0"

11 FILES 106
A11 SCALE: 1/4" = 1'-0"

12 FILES 106
A11 SCALE: 1/4" = 1'-0"

13 CONFERENCE 10
A12 SCALE: 1/4" = 1'-0"

14 CONFERENCE 10
A12 SCALE: 1/4" = 1'-0"



15 CONFERENCE 10
A12 SCALE: 1/4" = 1'-0"

16 CONFERENCE 10
A12 SCALE: 1/4" = 1'-0"

17 PRINCIPAL 108
A12 SCALE: 1/4" = 1'-0"

18 PRINCIPAL 108
A12 SCALE: 1/4" = 1'-0"

19 PRINCIPAL 108
A12 SCALE: 1/4" = 1'-0"

20 PRINCIPAL 108
A12 SCALE: 1/4" = 1'-0"

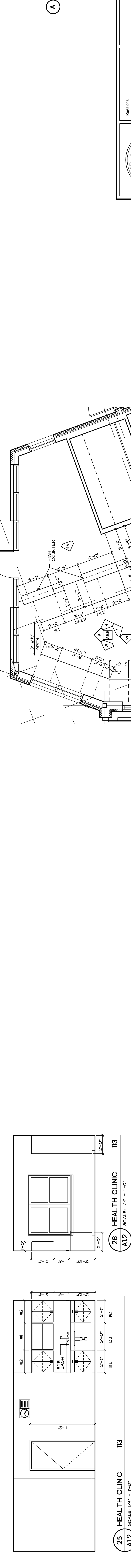


21 A. PRINCIPAL 109
A12 SCALE: 1/4" = 1'-0"

22 A. PRINCIPAL 109
A12 SCALE: 1/4" = 1'-0"

23 A. PRINCIPAL 109
A12 SCALE: 1/4" = 1'-0"

24 A. PRINCIPAL 109
A12 SCALE: 1/4" = 1'-0"

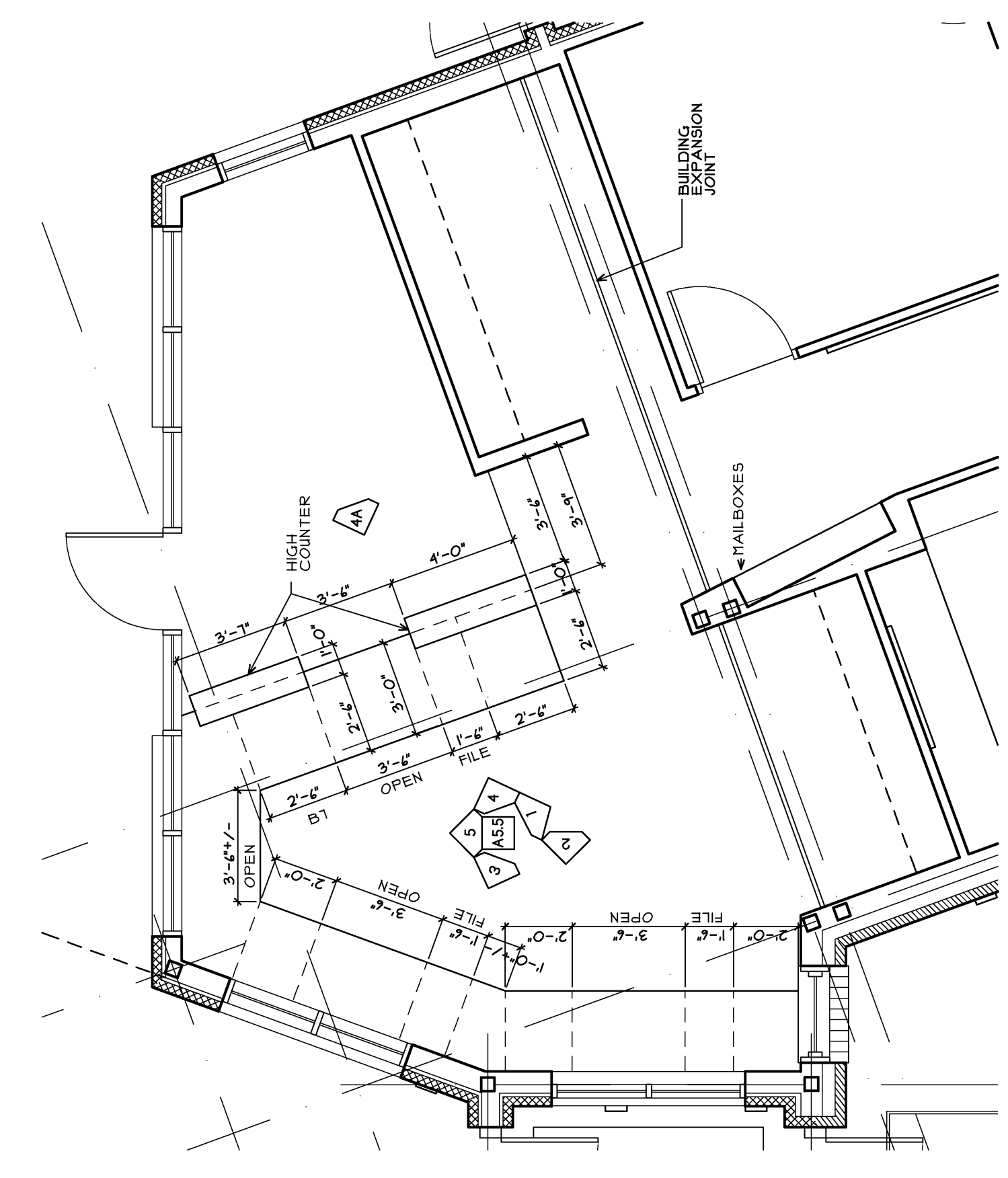


25 HEALTH CLINIC 113
A12 SCALE: 1/4" = 1'-0"

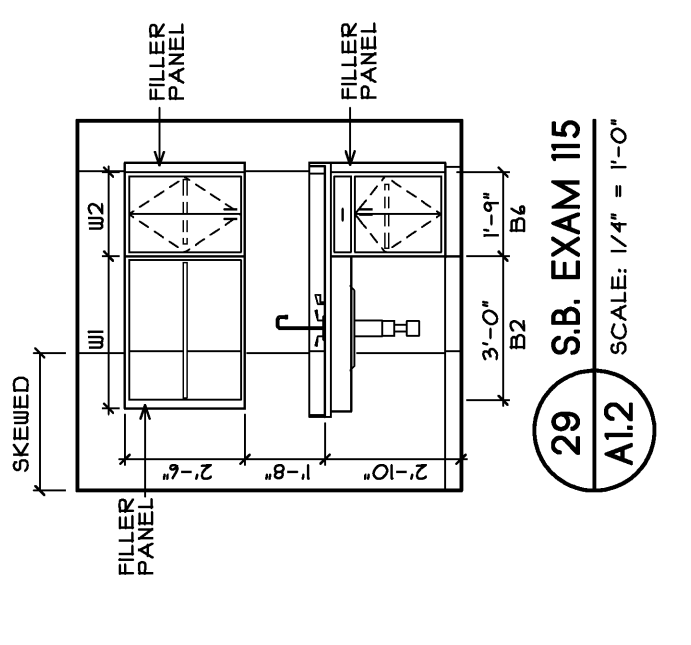
26 HEALTH CLINIC 113
A12 SCALE: 1/4" = 1'-0"

27 HEALTH CLINIC 113
A12 SCALE: 1/4" = 1'-0"

28 HEALTH CLINIC 113
A12 SCALE: 1/4" = 1'-0"



29 PARTIAL PLAN AT FRONT OFFICE 105
A11



29 S.B. EXAM IIS
A12 SCALE: 1/4" = 1'-0"

| | | | |
|--|---|--|---------------|
| | East End Elementary School Port Deposit Public Schools Port Deposit, Maryland | Job No.: 04-015.2004 Date: 04/15/2004 Scale: 1/4" = 1'-0" Drawn by: RMC Checked by: JH Drawing Title: Interior Elevations Office and Clinic | <h1>A5.5</h1> |
| | Consultants Civil Engineer Deluca-Hoffman Associates Landscape Architect Carroll Associates Structural Engineer Prinkham & Groer Mechanical Engineer Bennett Engineering Electrical Engineer Bartlett Design Interior Design TJM Consulting Construction Fore Solutions | 10 Belair Street Port Office Bldg 983 DTS Port Deposit, MD 21774-2889 Phone: 410-221-5889 Fax: 410-221-5911 Cell: 410-221-5911 Email: steve@deluca.com | |