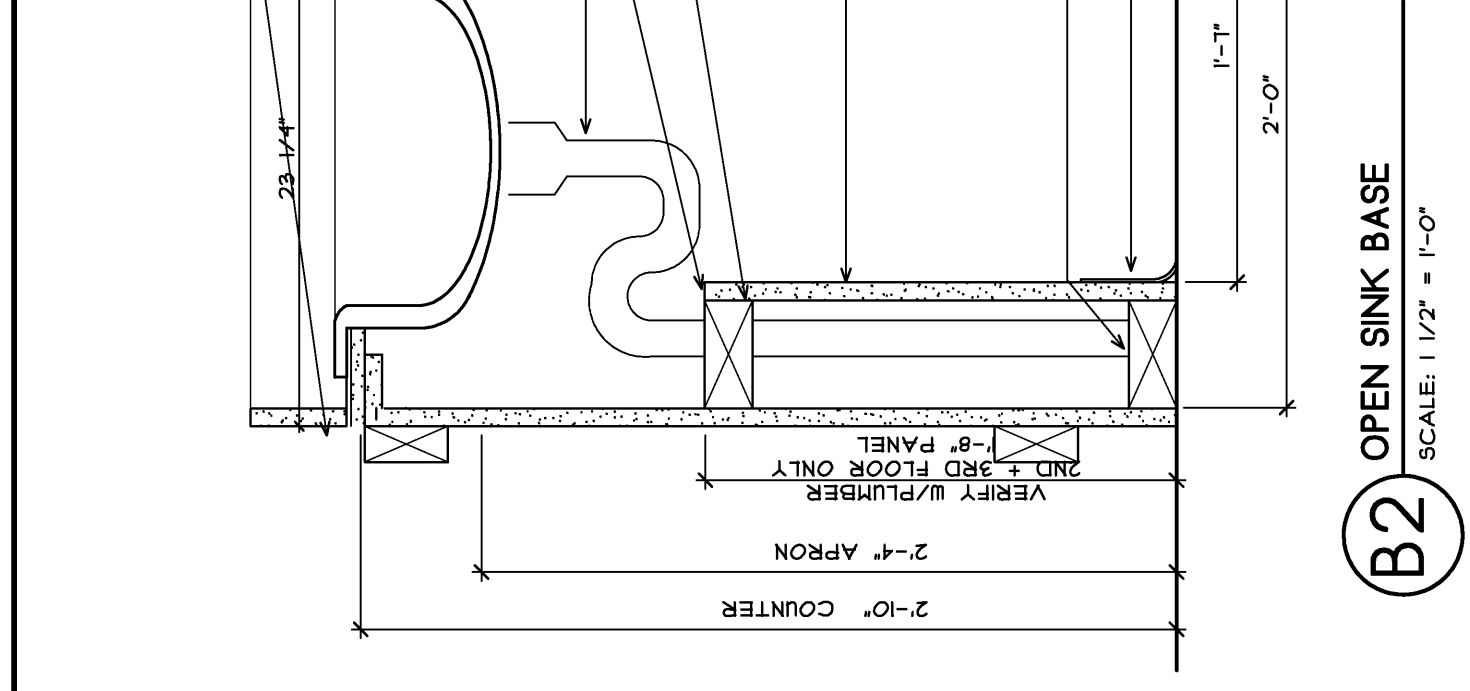
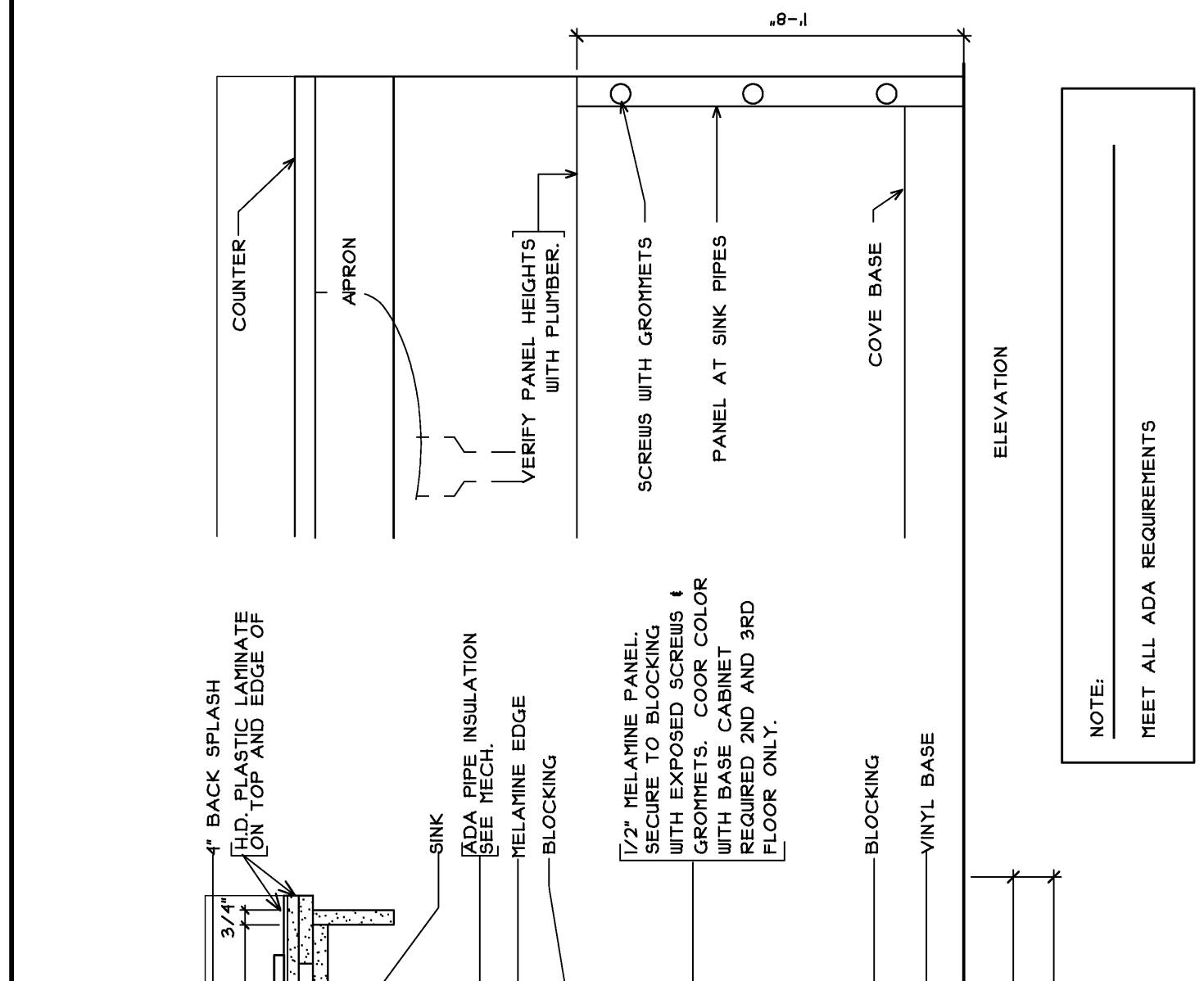


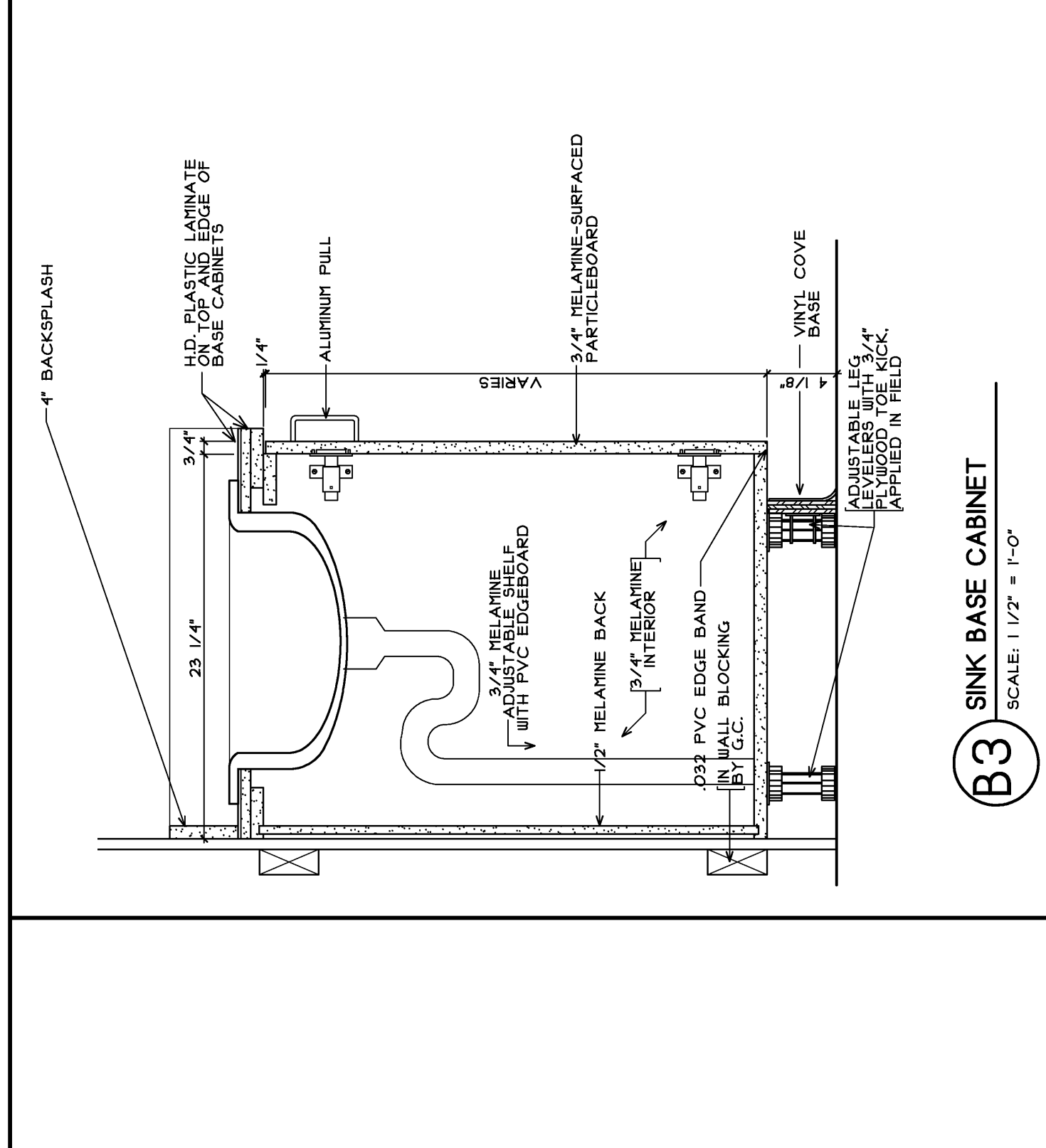
B1 TYPICAL BASE CABINET
SCALE: 1/2" = 1'-0"



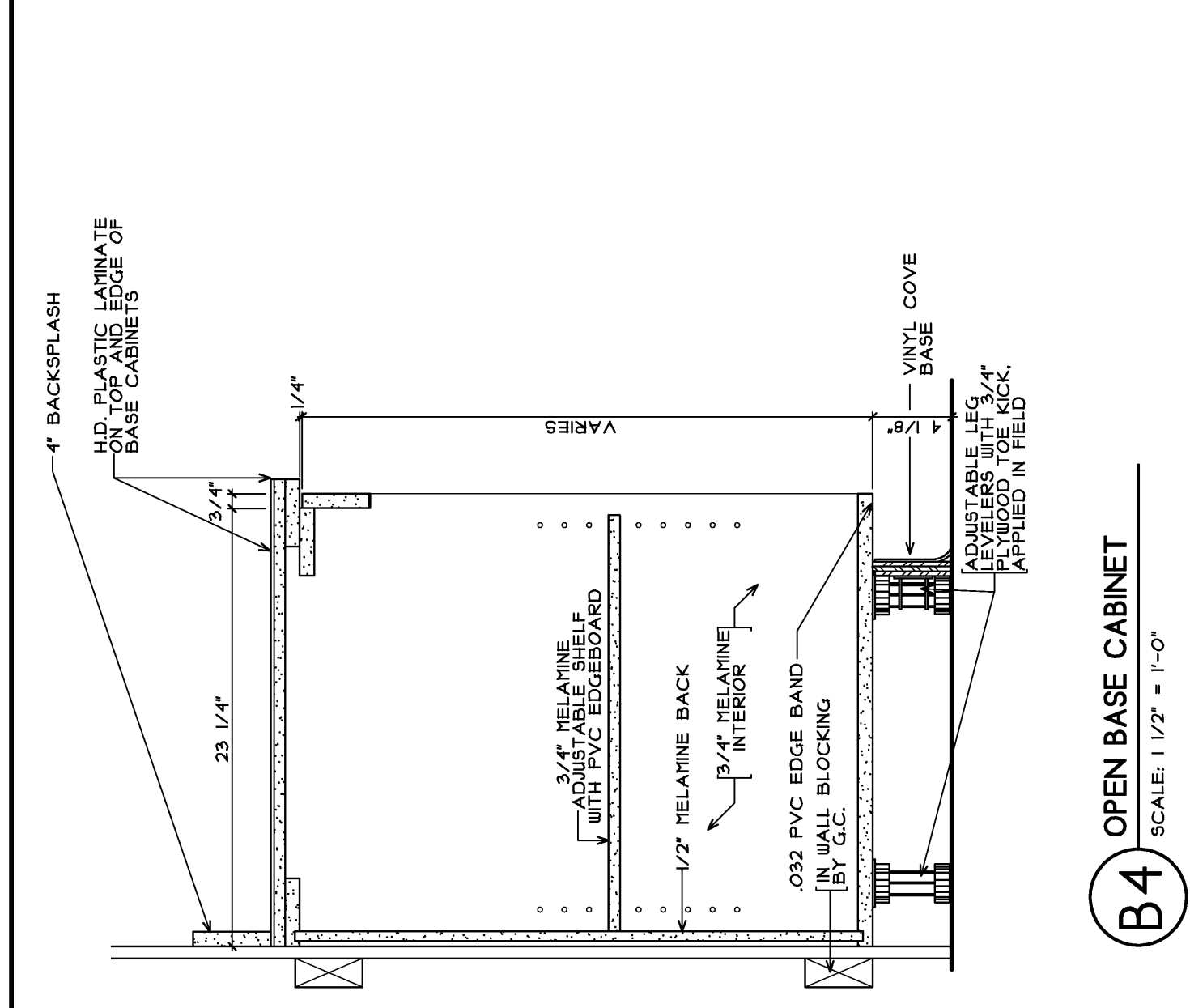
B2 OPEN SINK BASE
SCALE: 1/2" = 1'-0"



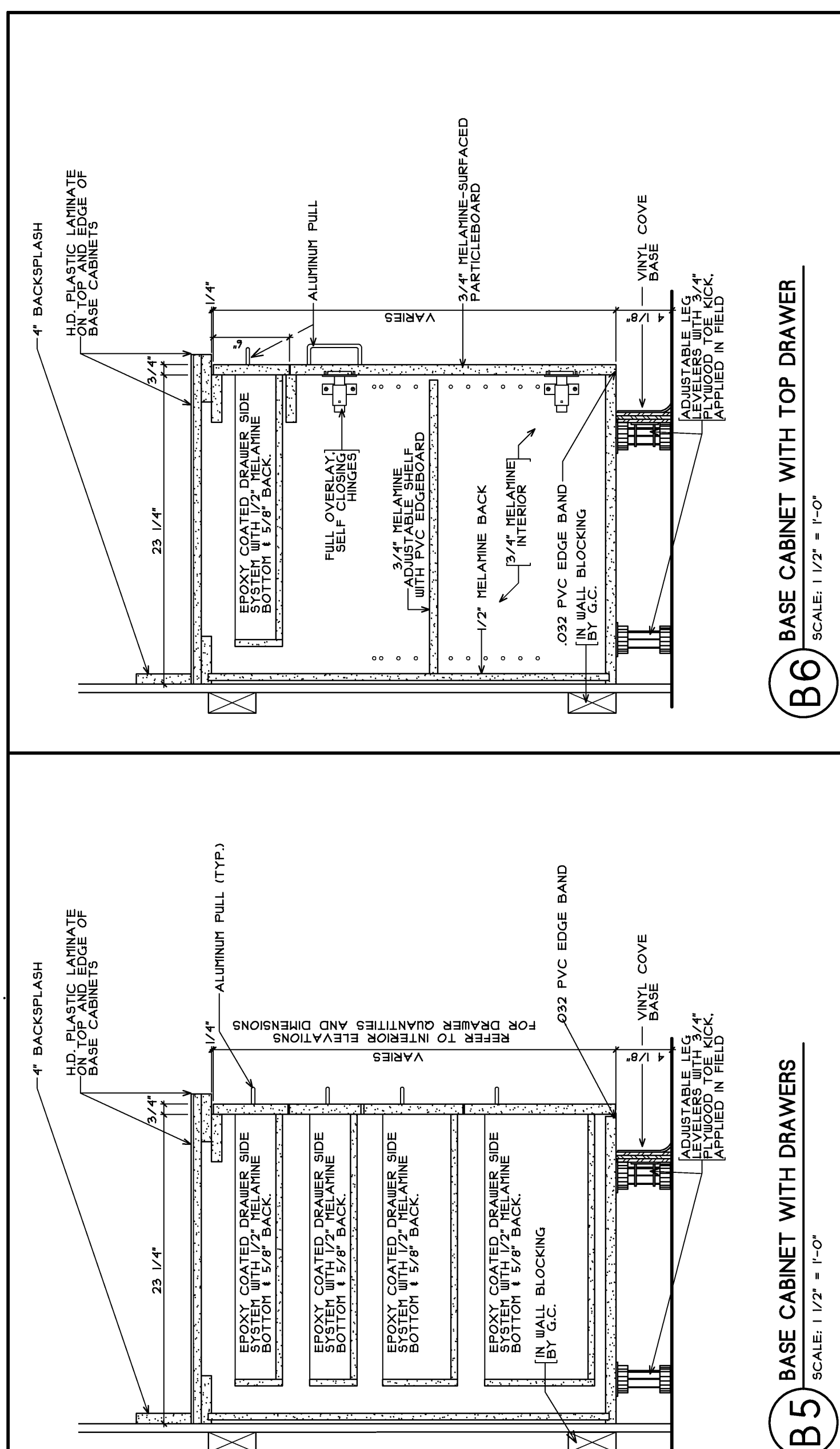
B3 SINK BASE CABINET
SCALE: 1/2" = 1'-0"



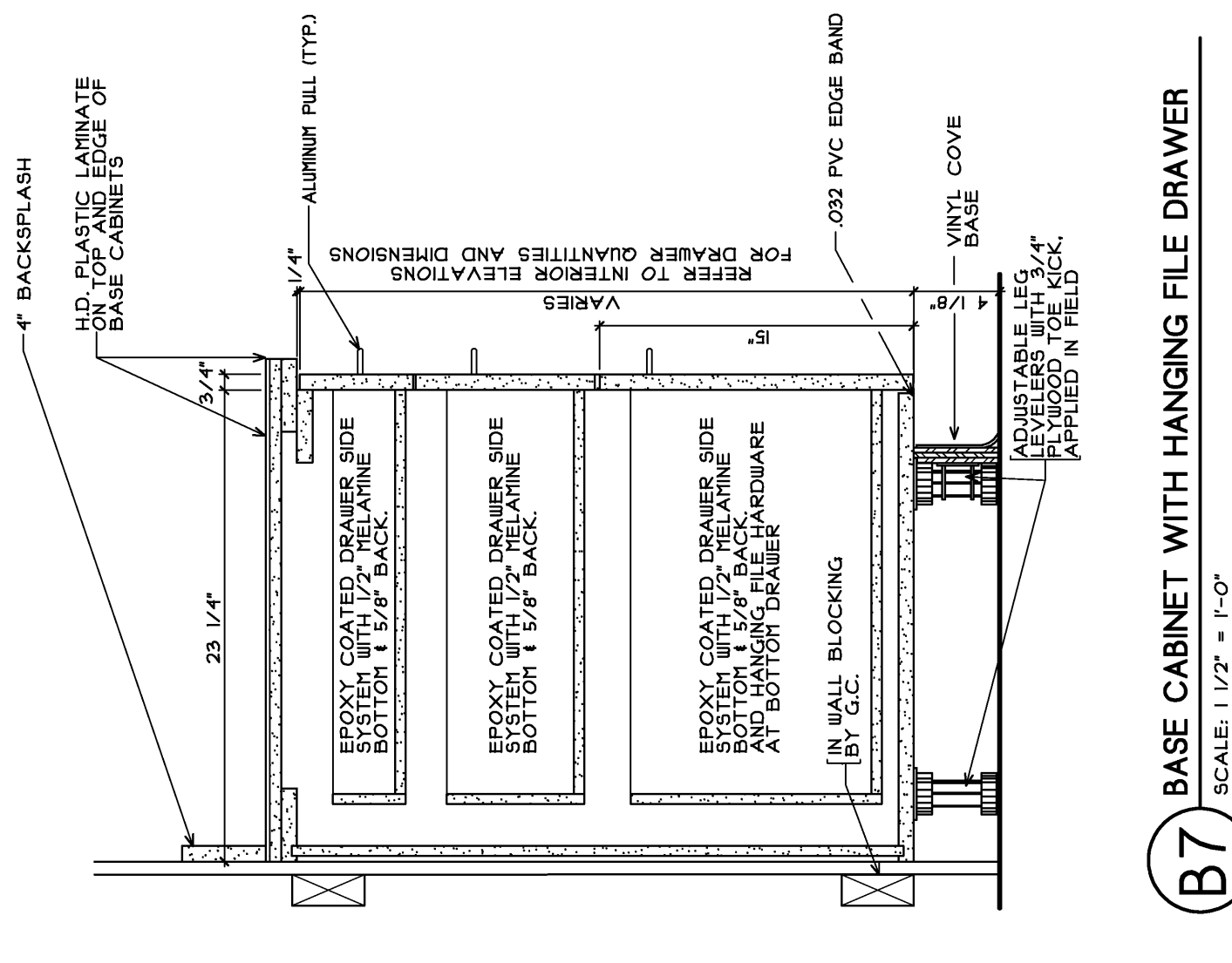
B4 OPEN BASE CABINET
SCALE: 1/2" = 1'-0"



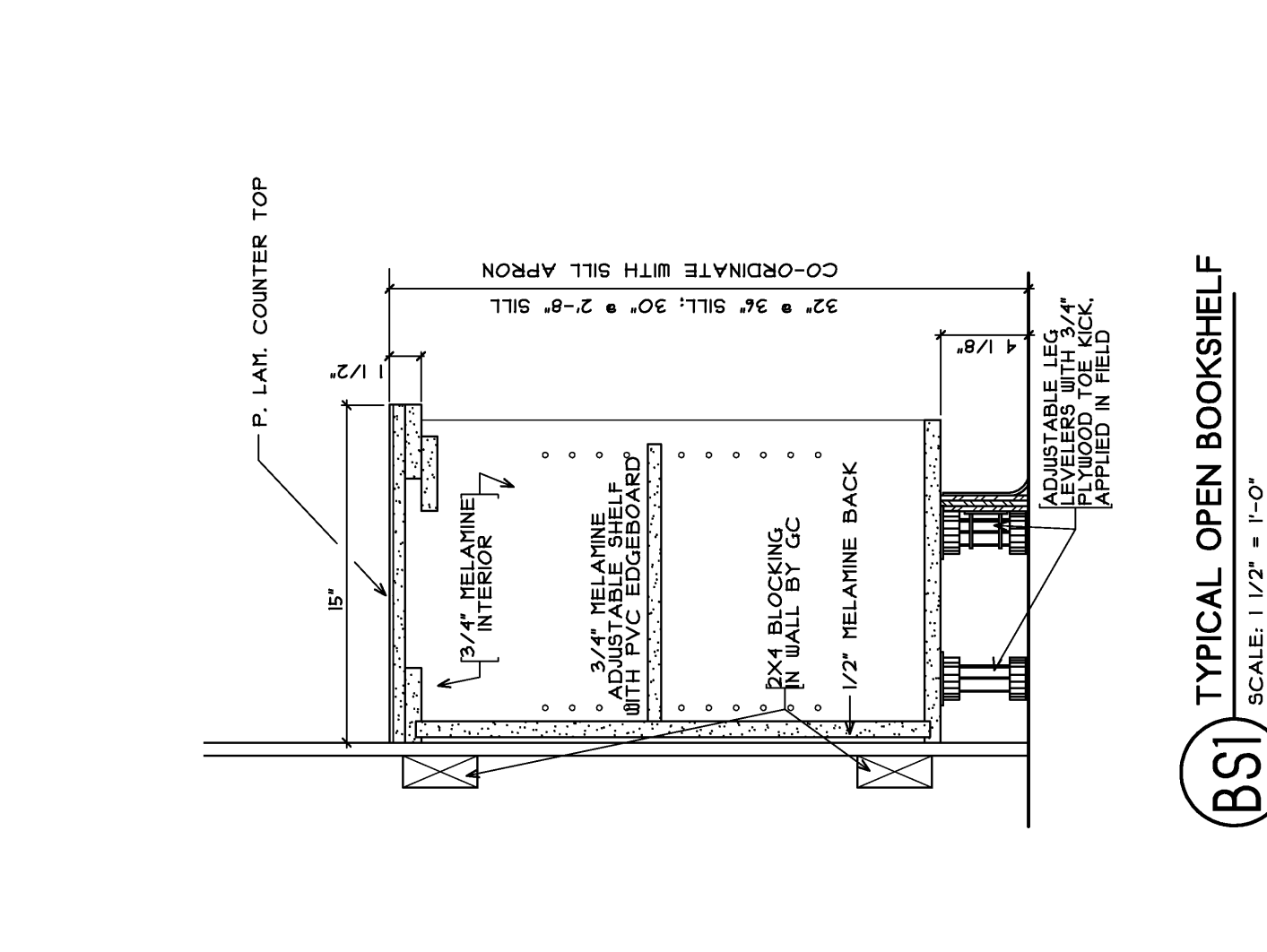
B5 BASE CABINET WITH DRAWERS
SCALE: 1/2" = 1'-0"



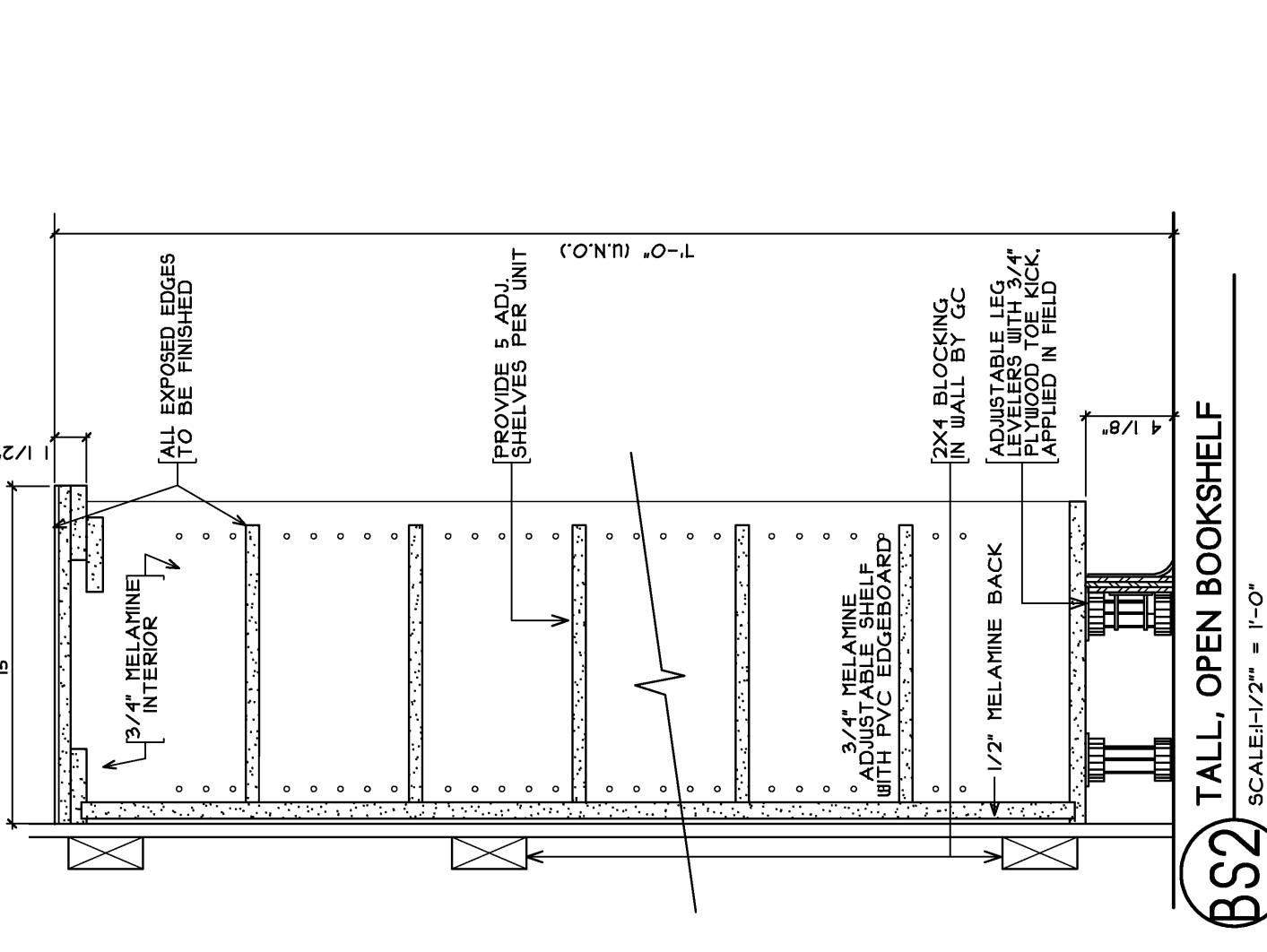
B6 BASE CABINET WITH TOP DRAWER
SCALE: 1/2" = 1'-0"



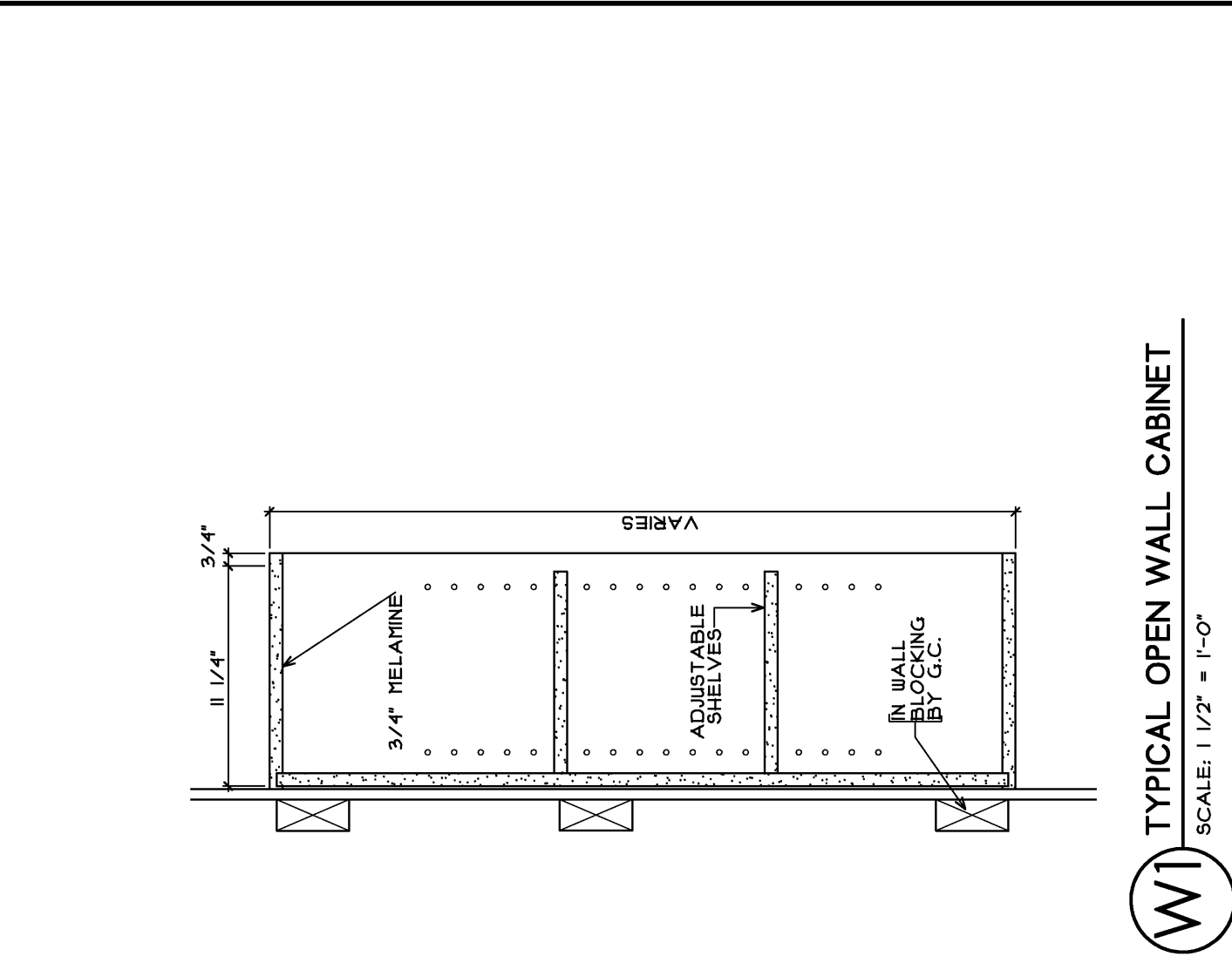
B7 BASE CABINET WITH HANGING FILE DRAWER
SCALE: 1/2" = 1'-0"



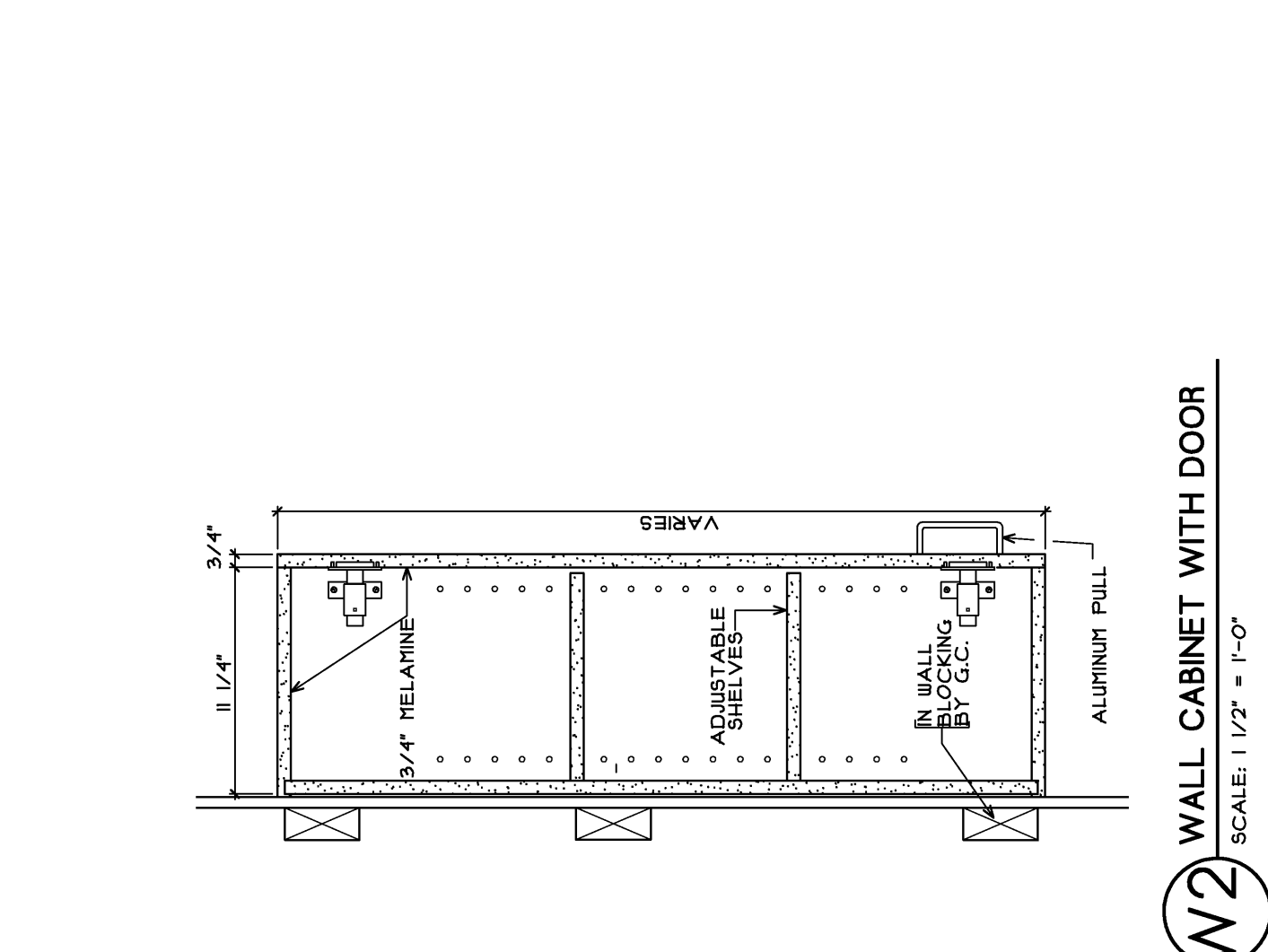
BS1 TYPICAL OPEN BOOKSHELF
SCALE: 1/2" = 1'-0"



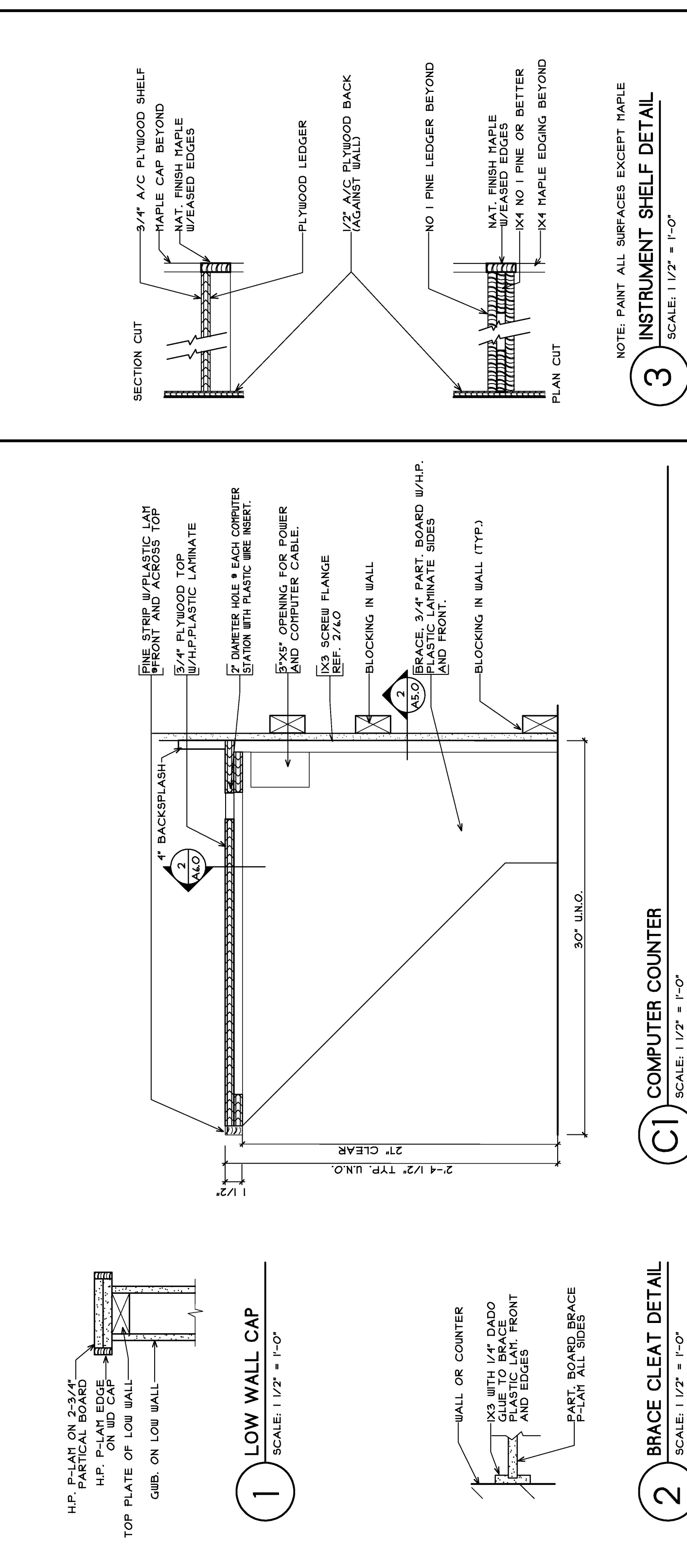
BS2 TALL, OPEN BOOKSHELF
SCALE: 1/2" = 1'-0"



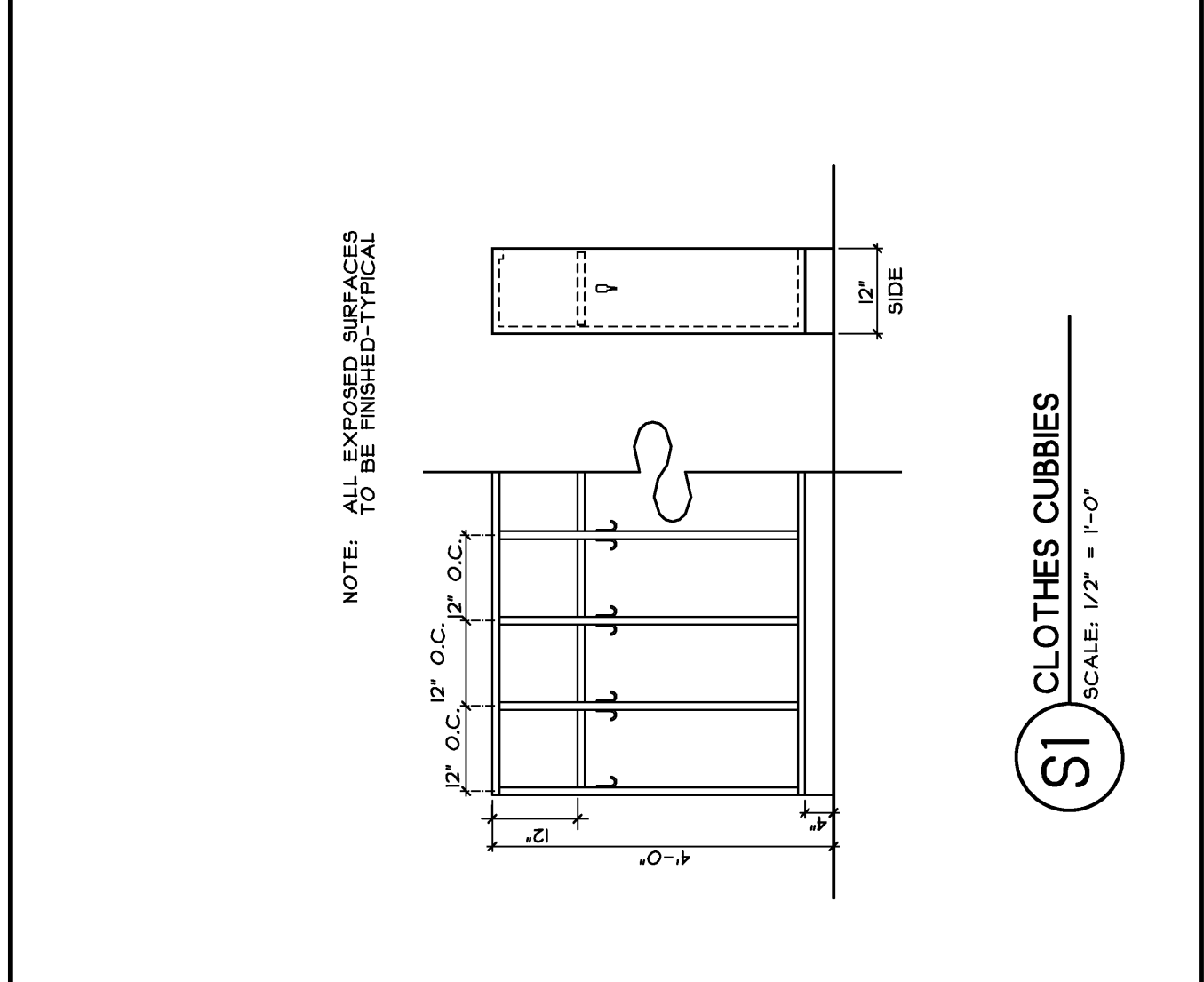
W1 TYPICAL OPEN WALL CABINET
SCALE: 1/2" = 1'-0"



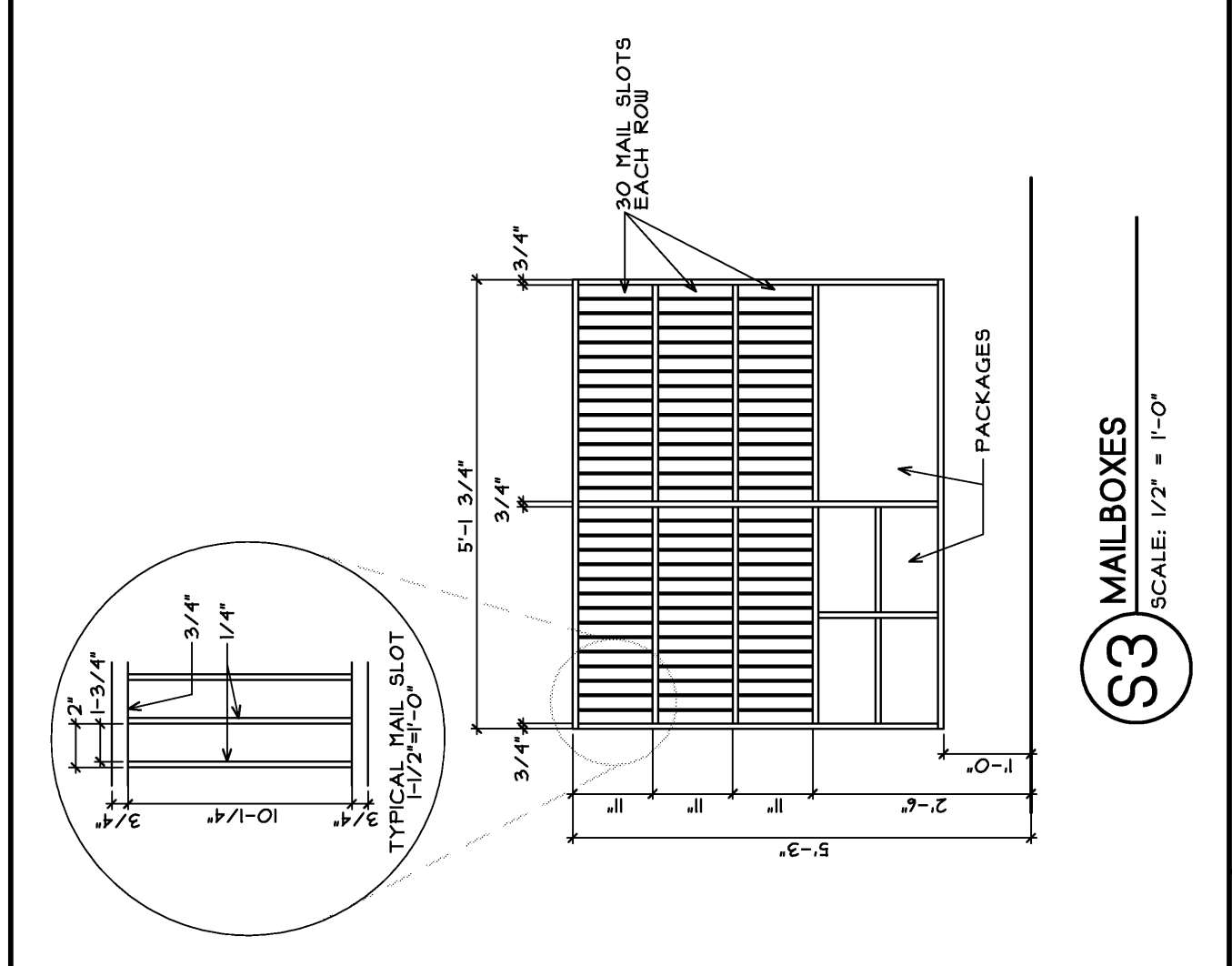
W2 WALL CABINET WITH DOOR
SCALE: 1/2" = 1'-0"



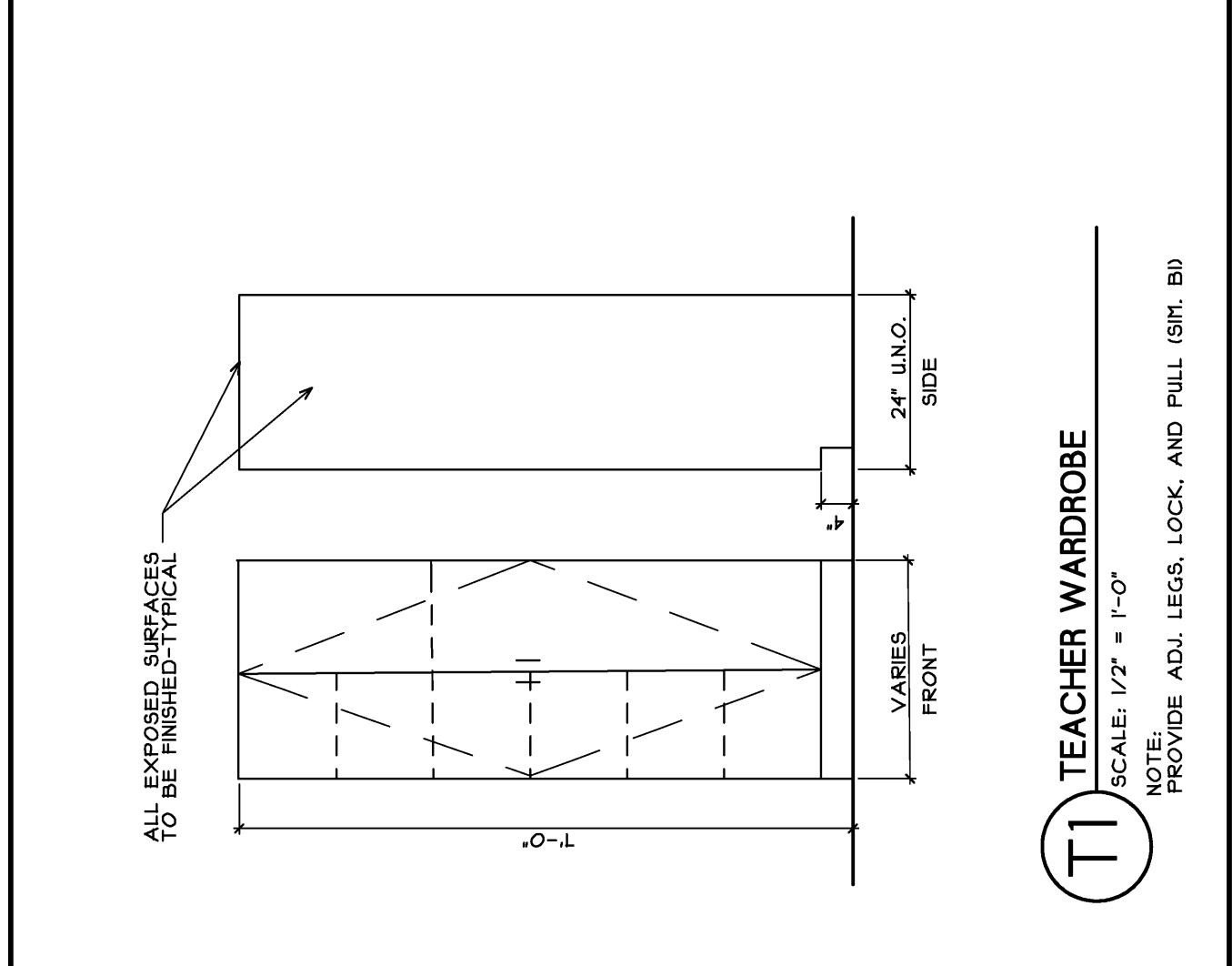
C1 COMPUTER COUNTER
SCALE: 1/2" = 1'-0"



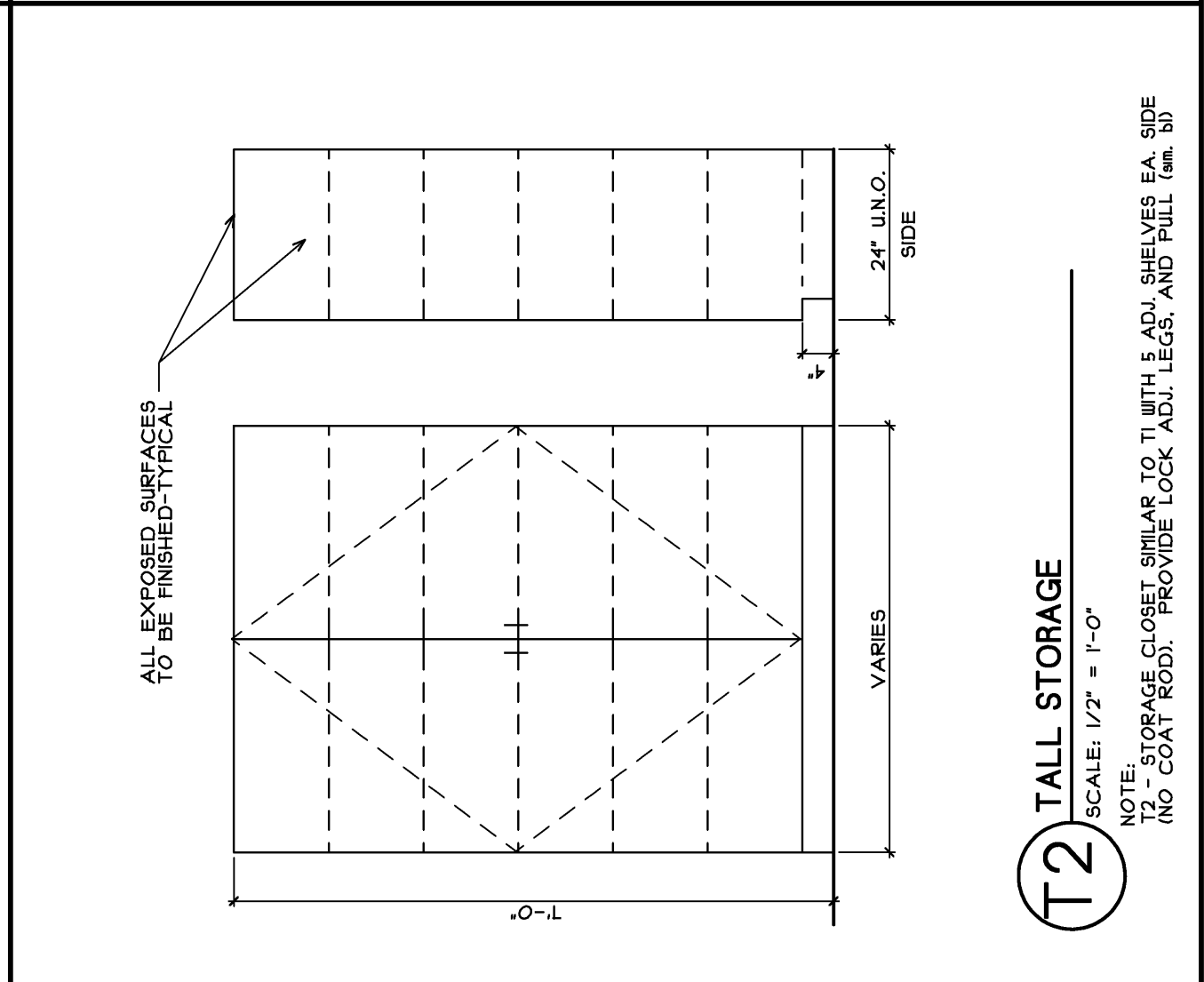
S1 CLOTHES CURRIES
SCALE: 1/2" = 1'-0"



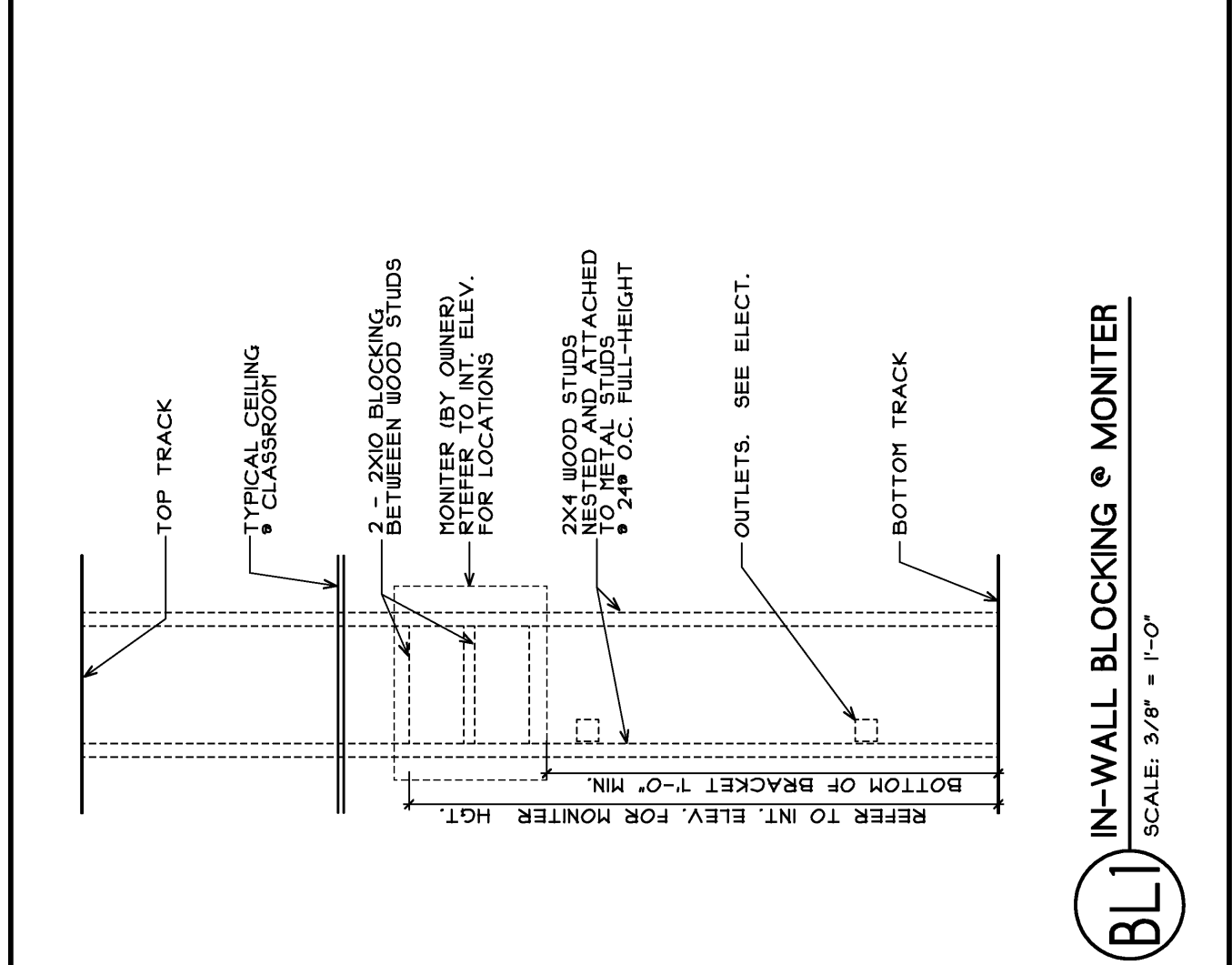
S3 MAIL BOXES
SCALE: 1/2" = 1'-0"



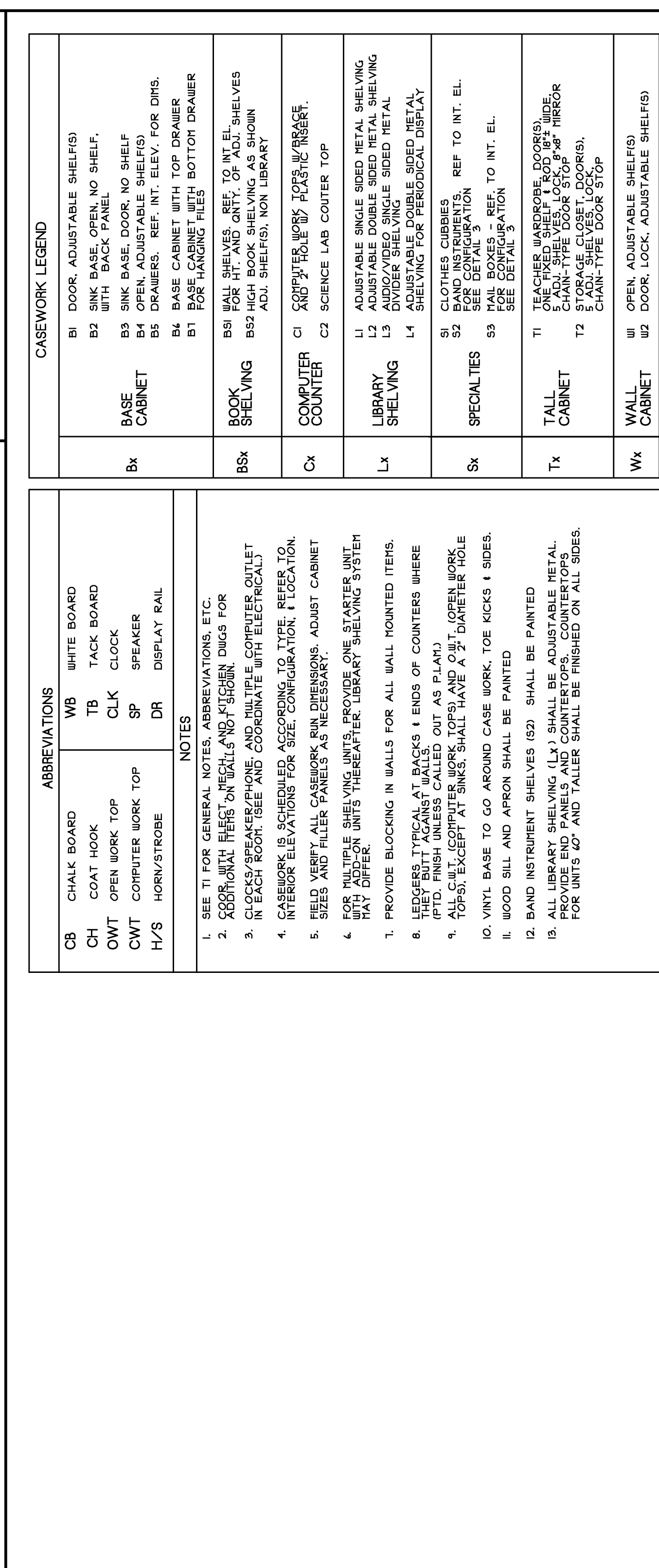
T1 TEACHER WARDROBE
SCALE: 1/2" = 1'-0"



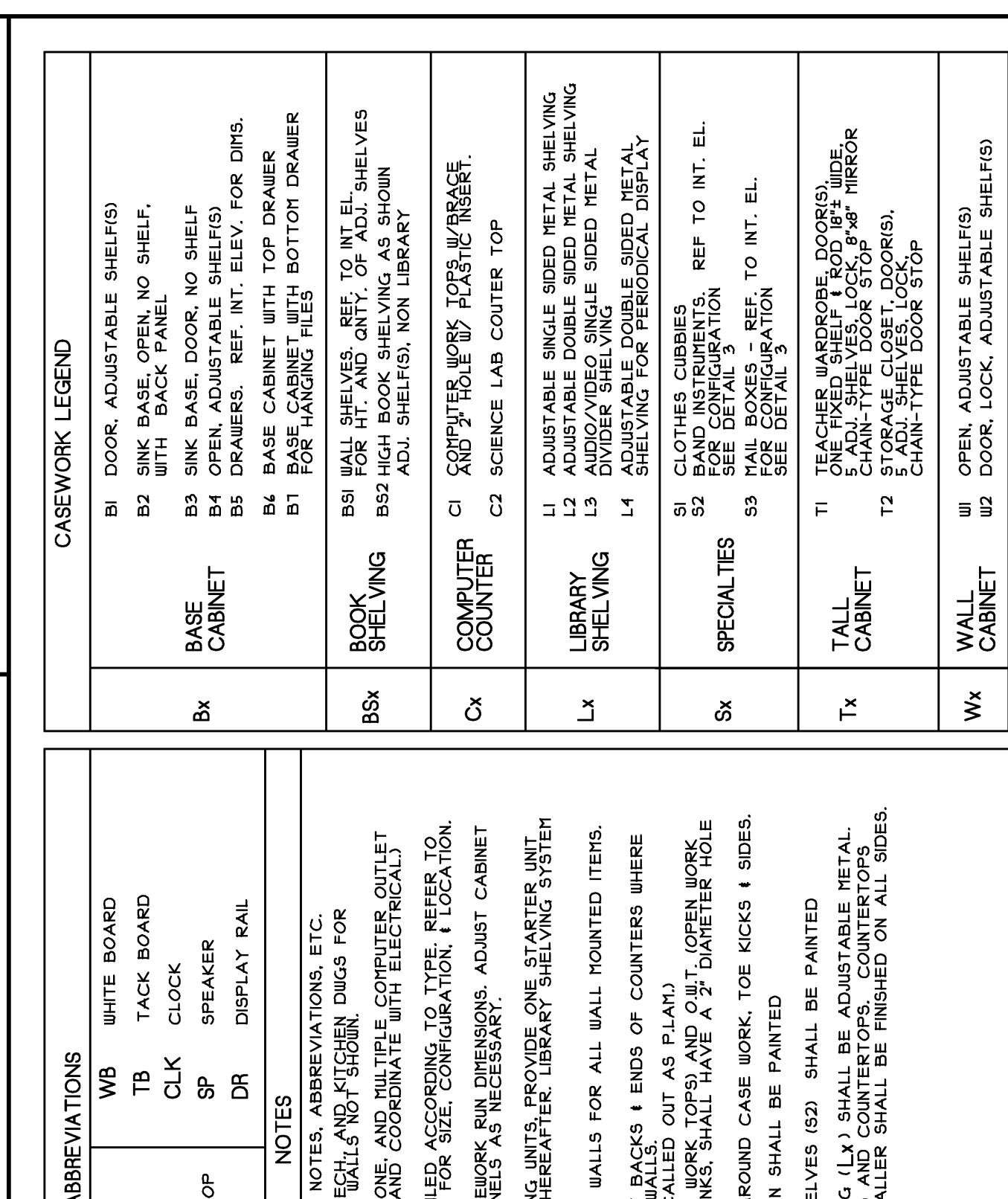
T2 TALL STORAGE
SCALE: 1/2" = 1'-0"



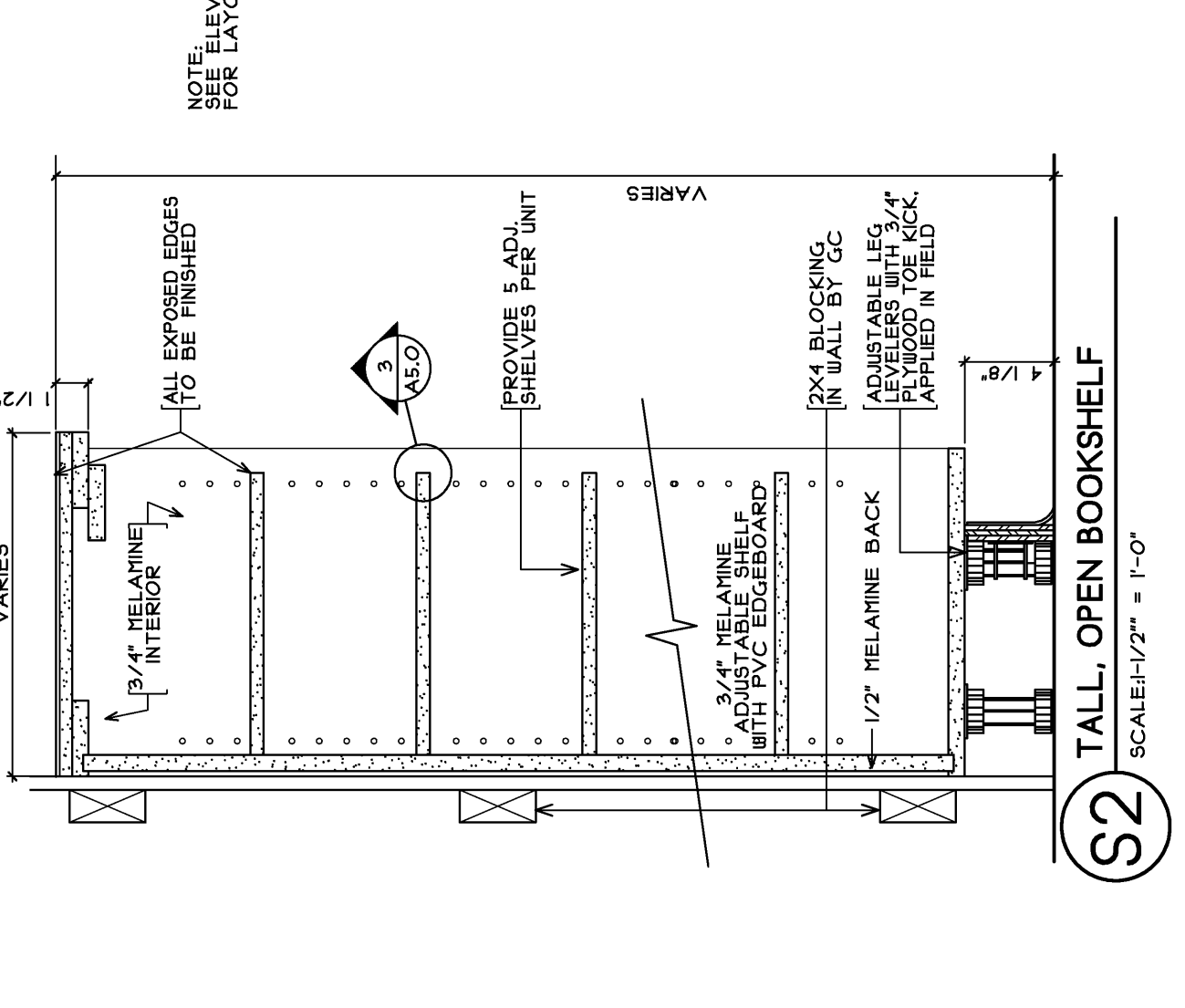
B1 IN-WALL BLOCKING @ MONITOR
SCALE: 3/4" = 1'-0"



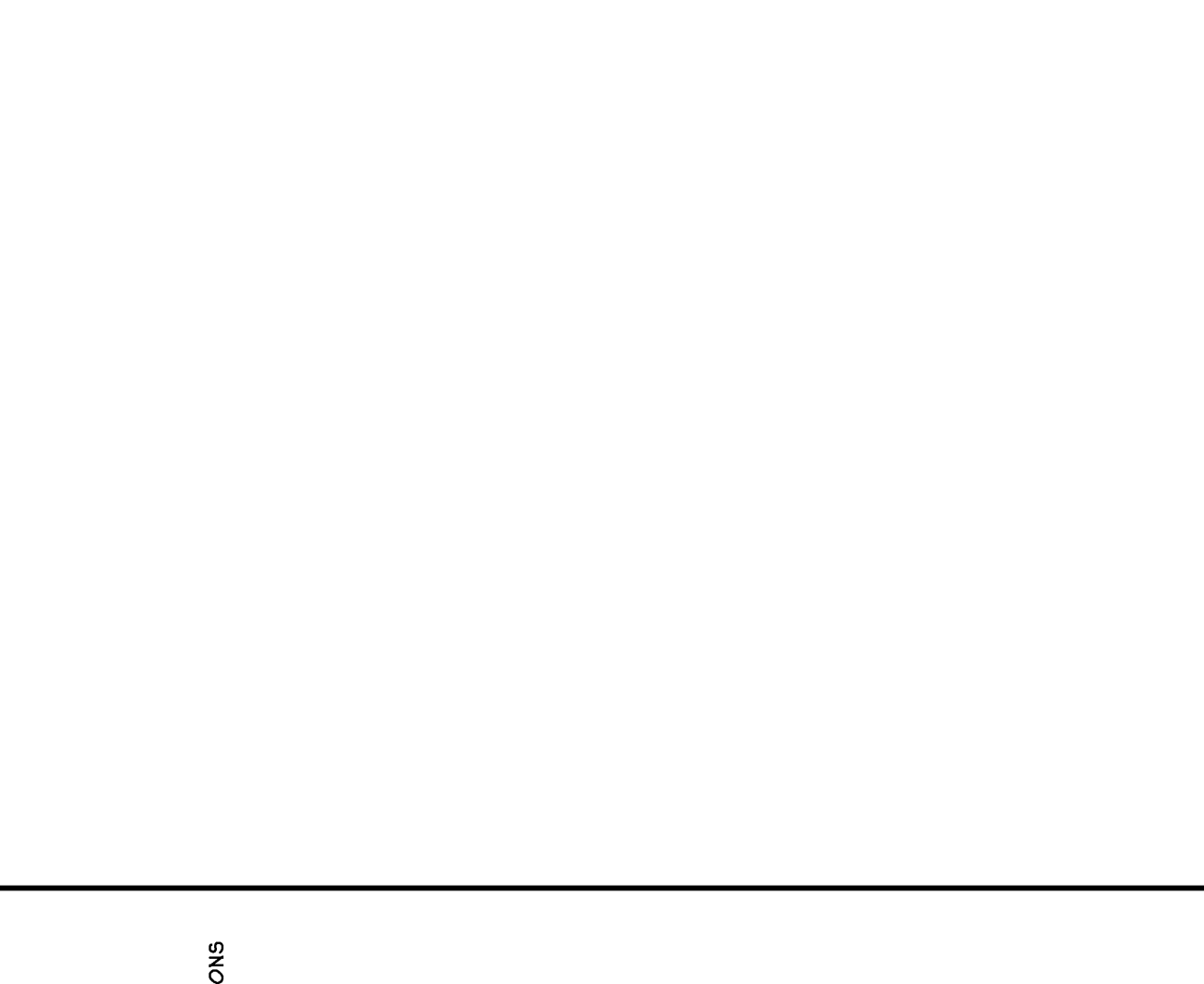
C2 COMPUTER COUNTER
SCALE: 1/2" = 1'-0"



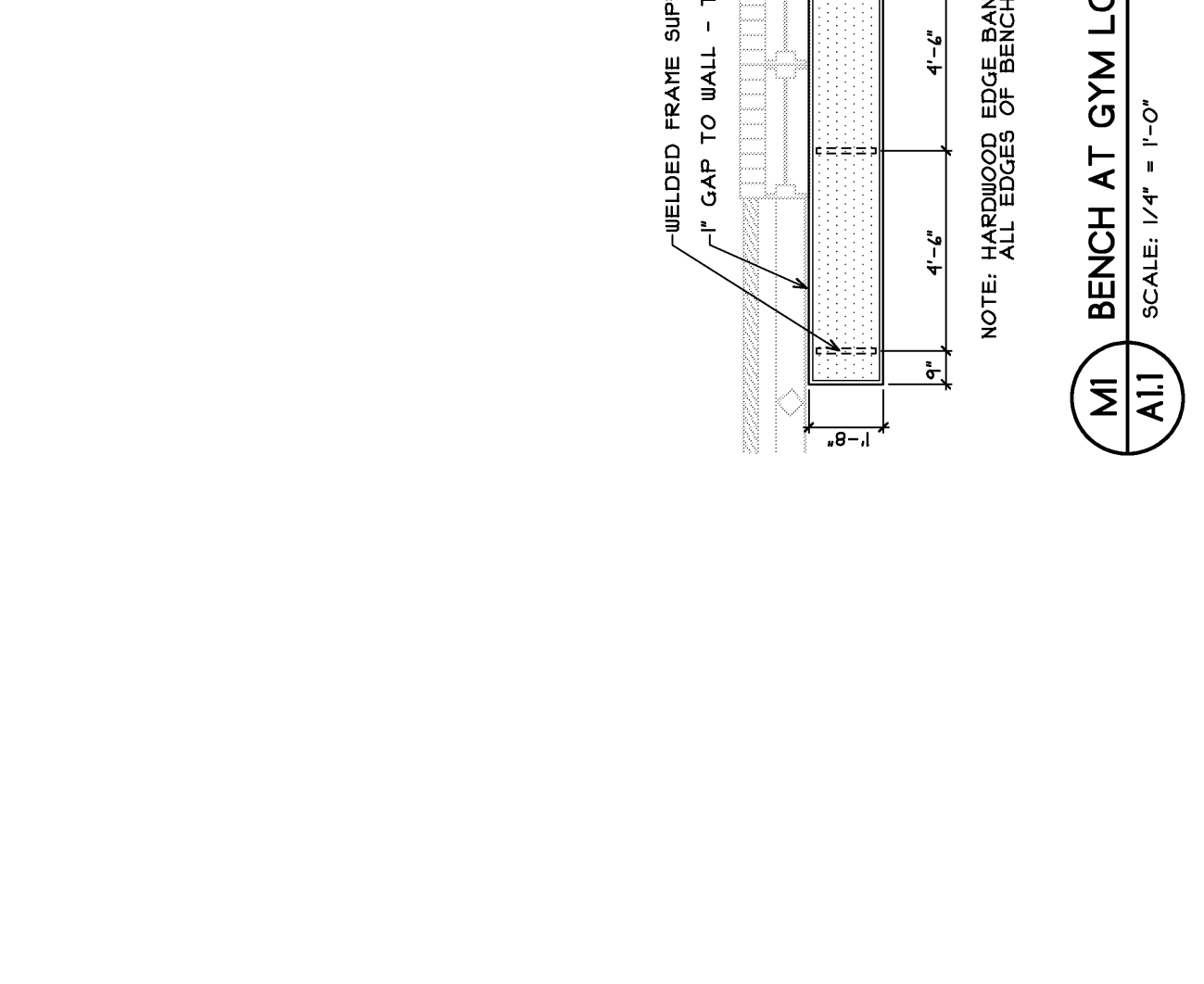
3 INSTRUMENT SHELF DETAIL
SCALE: 1/2" = 1'-0"



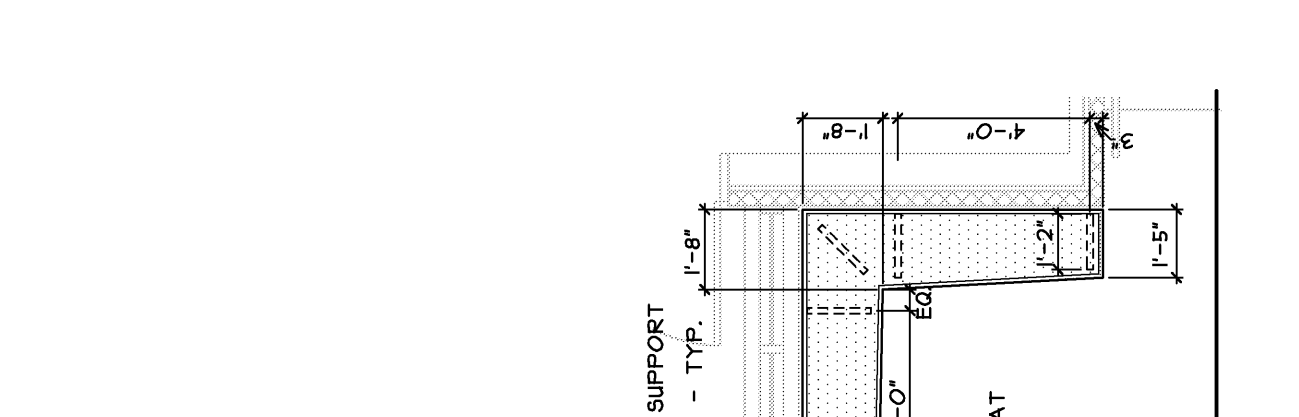
S2 TALL, OPEN BOOKSHELF
SCALE: 1/2" = 1'-0"



M1 BENCH AT GYM LOBBY
SCALE: 1/4" = 1'-0"



M2 BENCH AT GYM LOBBY
SCALE: 1/4" = 1'-0"



M3 BENCHES AT OFFICE LOBBY
SCALE: 1/4" = 1'-0"

East End Elementary Schools
Portland Public Schools
Portland, Maine

CASEWORK LEGEND AND DETAILS

Project No: 030
Date: 04/15/2004
Scale: AS-1000
Drawn by: jph
Checked by: jph

Consultants
Civil Engineer: DeLuca/Hoffman Associates
Mechanical Architect: Carroll Associates
Structural Engineer: Plinkham & Greer
Mechanical Engineer: Bennett Engineering
Electrical Engineer: Bennett Design
Interior Designer: The Design Group
General Contractor: Fore Solutions

Architect
STEPHEN BLATT ARCHITECTS
10 South Street
Portland, ME 04101
Phone: 603.761.2105
Fax: 603.761.2105
Email: sblatt@stephenblatt.com

Revisions

NO.	DESCRIPTION
1	ONE-PANEL SHELVING UNIT WITH SHOWN CHAIR-TYPE BOOK STOP AT RIBBON
2	ADJUSTABLE SINGLE SIDED METAL SHELVING
3	ADJUSTABLE DOUBLE SIDED METAL SHELVING
4	ADJUSTABLE POSSIBLE SIDED METAL SHELVING
5	ADJUSTABLE POSSIBLE SIDED METAL SHELVING
6	ADJUSTABLE POSSIBLE SIDED METAL SHELVING
7	ADJUSTABLE POSSIBLE SIDED METAL SHELVING
8	ADJUSTABLE POSSIBLE SIDED METAL SHELVING
9	ADJUSTABLE POSSIBLE SIDED METAL SHELVING
10	ADJUSTABLE POSSIBLE SIDED METAL SHELVING
11	ADJUSTABLE POSSIBLE SIDED METAL SHELVING
12	ADJUSTABLE POSSIBLE SIDED METAL SHELVING
13	ADJUSTABLE POSSIBLE SIDED METAL SHELVING
14	ADJUSTABLE POSSIBLE SIDED METAL SHELVING
15	ADJUSTABLE POSSIBLE SIDED METAL SHELVING
16	ADJUSTABLE POSSIBLE SIDED METAL SHELVING
17	ADJUSTABLE POSSIBLE SIDED METAL SHELVING
18	ADJUSTABLE POSSIBLE SIDED METAL SHELVING
19	ADJUSTABLE POSSIBLE SIDED METAL SHELVING
20	ADJUSTABLE POSSIBLE SIDED METAL SHELVING
21	ADJUSTABLE POSSIBLE SIDED METAL SHELVING
22	ADJUSTABLE POSSIBLE SIDED METAL SHELVING
23	ADJUSTABLE POSSIBLE SIDED METAL SHELVING
24	ADJUSTABLE POSSIBLE SIDED METAL SHELVING
25	ADJUSTABLE POSSIBLE SIDED METAL SHELVING
26	ADJUSTABLE POSSIBLE SIDED METAL SHELVING
27	ADJUSTABLE POSSIBLE SIDED METAL SHELVING
28	ADJUSTABLE POSSIBLE SIDED METAL SHELVING
29	ADJUSTABLE POSSIBLE SIDED METAL SHELVING
30	ADJUSTABLE POSSIBLE SIDED METAL SHELVING
31	ADJUSTABLE POSSIBLE SIDED METAL SHELVING
32	ADJUSTABLE POSSIBLE SIDED METAL SHELVING
33	ADJUSTABLE POSSIBLE SIDED METAL SHELVING
34	ADJUSTABLE POSSIBLE SIDED METAL SHELVING
35	ADJUSTABLE POSSIBLE SIDED METAL SHELVING
36	ADJUSTABLE POSSIBLE SIDED METAL SHELVING
37	ADJUSTABLE POSSIBLE SIDED METAL SHELVING
38	ADJUSTABLE POSSIBLE SIDED METAL SHELVING
39	ADJUSTABLE POSSIBLE SIDED METAL SHELVING
40	ADJUSTABLE POSSIBLE SIDED METAL SHELVING
41	ADJUSTABLE POSSIBLE SIDED METAL SHELVING
42	ADJUSTABLE POSSIBLE SIDED METAL SHELVING
43	ADJUSTABLE POSSIBLE SIDED METAL SHELVING
44	ADJUSTABLE POSSIBLE SIDED METAL SHELVING
45	ADJUSTABLE POSSIBLE SIDED METAL SHELVING
46	ADJUSTABLE POSSIBLE SIDED METAL SHELVING
47	ADJUSTABLE POSSIBLE SIDED METAL SHELVING
48	ADJUSTABLE POSSIBLE SIDED METAL SHELVING
49	ADJUSTABLE POSSIBLE SIDED METAL SHELVING
50	ADJUSTABLE POSSIBLE SIDED METAL SHELVING
51	ADJUSTABLE POSSIBLE SIDED METAL SHELVING
52	ADJUSTABLE POSSIBLE SIDED METAL SHELVING
53	ADJUSTABLE POSSIBLE SIDED METAL SHELVING
54	ADJUSTABLE POSSIBLE SIDED METAL SHELVING
55	ADJUSTABLE POSSIBLE SIDED METAL SHELVING
56	ADJUSTABLE POSSIBLE SIDED METAL SHELVING
57	ADJUSTABLE POSSIBLE SIDED METAL SHELVING
58	ADJUSTABLE POSSIBLE SIDED METAL SHELVING
59	ADJUSTABLE POSSIBLE SIDED METAL SHELVING
60	ADJUSTABLE POSSIBLE SIDED METAL SHELVING
61	ADJUSTABLE POSSIBLE SIDED METAL SHELVING
62	ADJUSTABLE POSSIBLE SIDED METAL SHELVING
63	ADJUSTABLE POSSIBLE SIDED METAL SHELVING
64	ADJUSTABLE POSSIBLE SIDED METAL SHELVING
65	ADJUSTABLE POSSIBLE SIDED METAL SHELVING
66	ADJUSTABLE POSSIBLE SIDED METAL SHELVING
67	ADJUSTABLE POSSIBLE SIDED METAL SHELVING
68	ADJUSTABLE POSSIBLE SIDED METAL SHELVING
69	ADJUSTABLE POSSIBLE SIDED METAL SHELVING
70	ADJUSTABLE POSSIBLE SIDED METAL SHELVING
71	ADJUSTABLE POSSIBLE SIDED METAL SHELVING
72	ADJUSTABLE POSSIBLE SIDED METAL SHELVING
73	ADJUSTABLE POSSIBLE SIDED METAL SHELVING
74	ADJUSTABLE POSSIBLE SIDED METAL SHELVING
75	ADJUSTABLE POSSIBLE SIDED METAL SHELVING
76	ADJUSTABLE POSSIBLE SIDED METAL SHELVING
77	ADJUSTABLE POSSIBLE SIDED METAL SHELVING
78	ADJUSTABLE POSSIBLE SIDED METAL SHELVING
79	ADJUSTABLE POSSIBLE SIDED METAL SHELVING
80	ADJUSTABLE POSSIBLE SIDED METAL SHELVING
81	ADJUSTABLE POSSIBLE SIDED METAL SHELVING
82	ADJUSTABLE POSSIBLE SIDED METAL SHELVING
83	ADJUSTABLE POSSIBLE SIDED METAL SHELVING
84	ADJUSTABLE POSSIBLE SIDED METAL SHELVING
85	ADJUSTABLE POSSIBLE SIDED METAL SHELVING
86	ADJUSTABLE POSSIBLE SIDED METAL SHELVING
87	ADJUSTABLE POSSIBLE SIDED METAL SHELVING
88	ADJUSTABLE POSSIBLE SIDED METAL SHELVING
89	ADJUSTABLE POSSIBLE SIDED METAL SHELVING
90	ADJUSTABLE POSSIBLE SIDED METAL SHELVING
91	ADJUSTABLE POSSIBLE SIDED METAL SHELVING
92	ADJUSTABLE POSSIBLE SIDED METAL SHELVING
93	ADJUSTABLE POSSIBLE SIDED METAL SHELVING
94	ADJUSTABLE POSSIBLE SIDED METAL SHELVING
95	ADJUSTABLE POSSIBLE SIDED METAL SHELVING
96	ADJUSTABLE POSSIBLE SIDED METAL SHELVING
97	ADJUSTABLE POSSIBLE SIDED METAL SHELVING
98	ADJUSTABLE POSSIBLE SIDED METAL SHELVING
99	ADJUSTABLE POSSIBLE SIDED METAL SHELVING
100	ADJUSTABLE POSSIBLE SIDED METAL SHELVING

M4 WELDED SUPPORT
SCALE: 1" = 1'-0"

M5 SECTION
SCALE: 1" = 1'-0"

A5.0