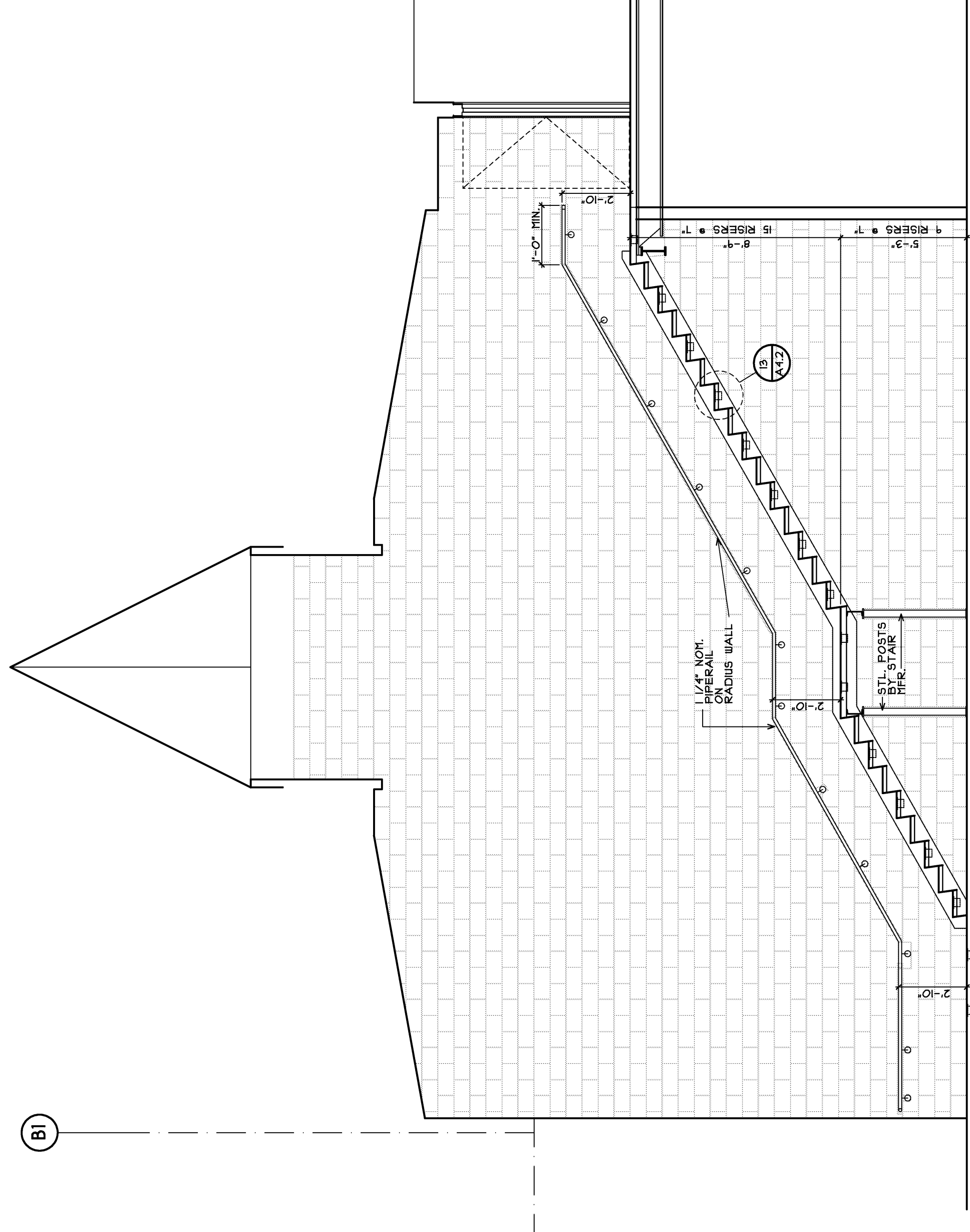
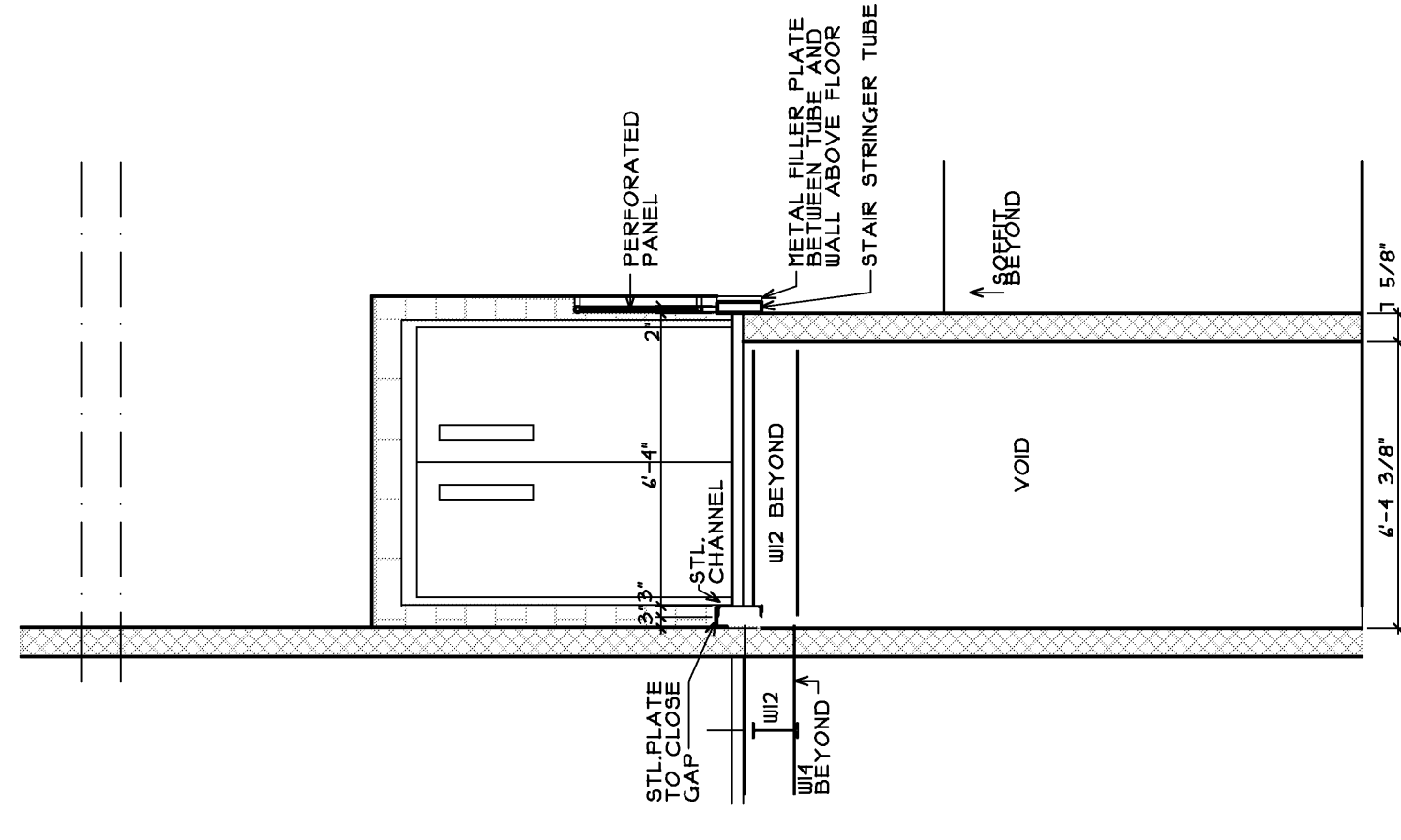


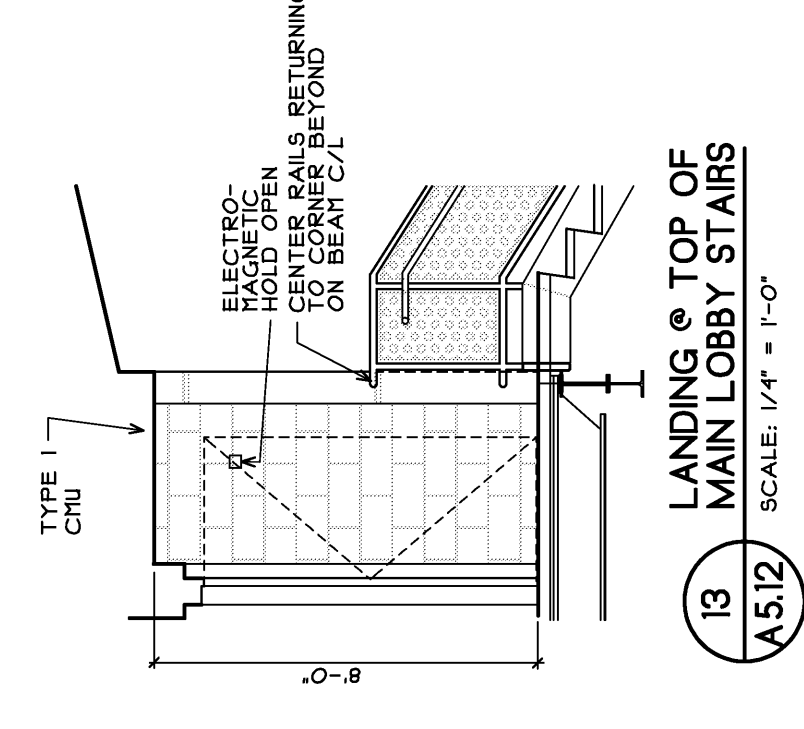
1 STAIR 103 / ELEVATION
SCALE: 1/4" = 1'-0"



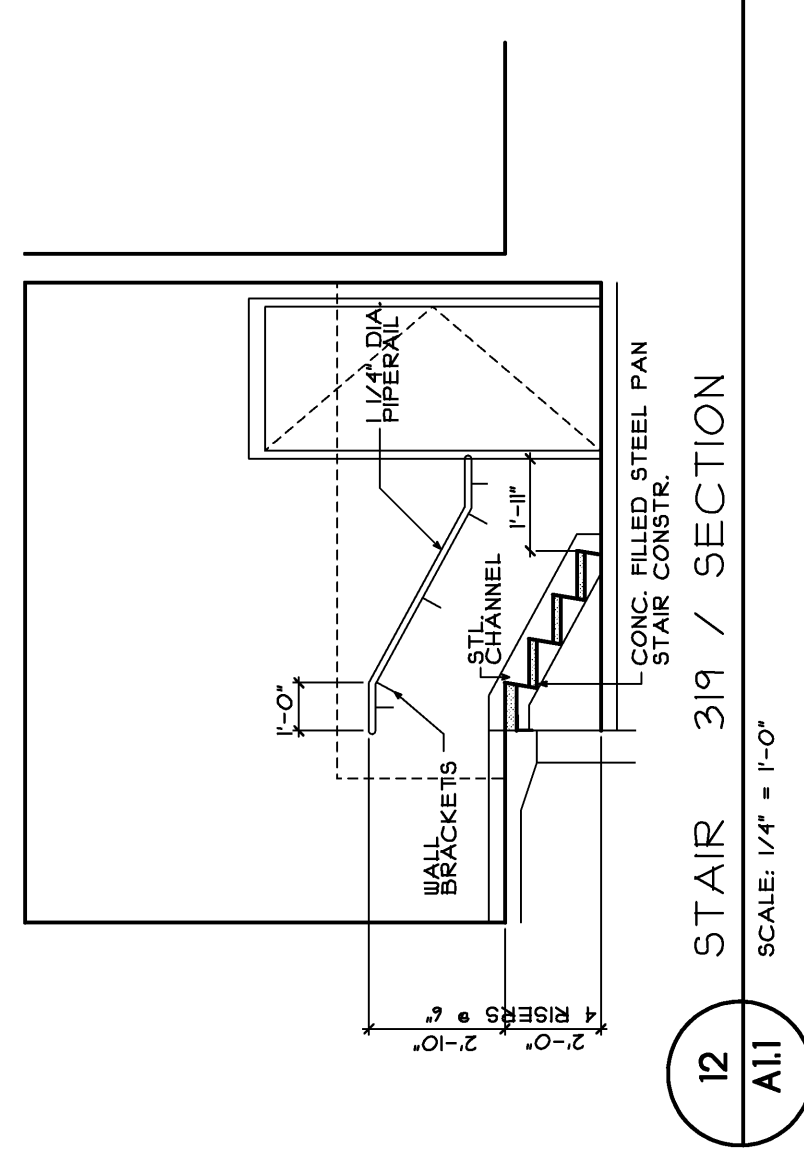
2 STAIR 103 / SECTION AT WALL
SCALE: 1/4" = 1'-0"



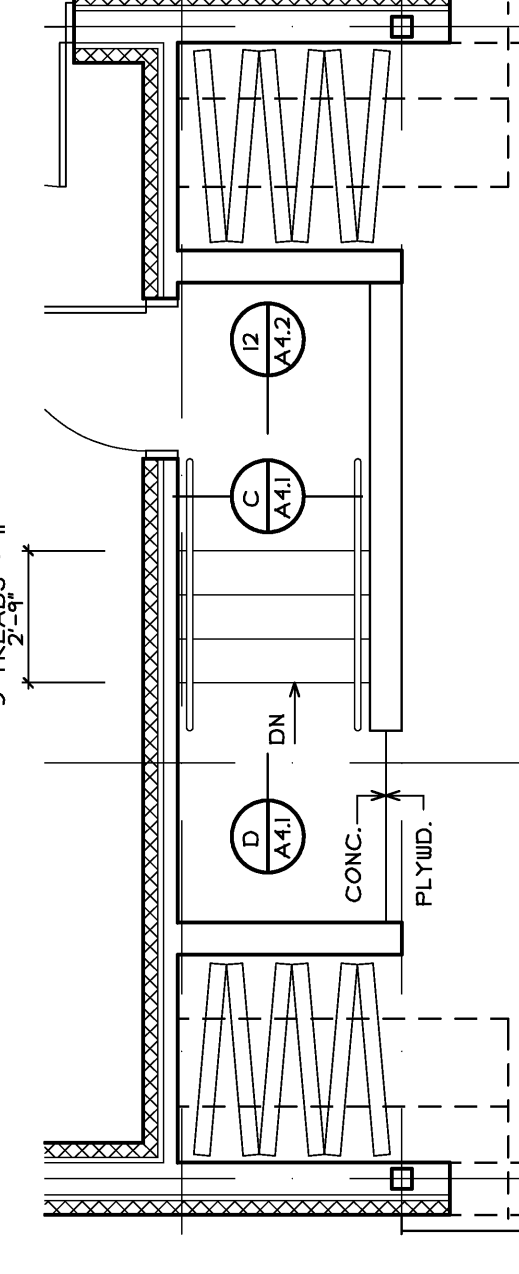
3 STAIR 103 / SECTION
SCALE: 1/4" = 1'-0"



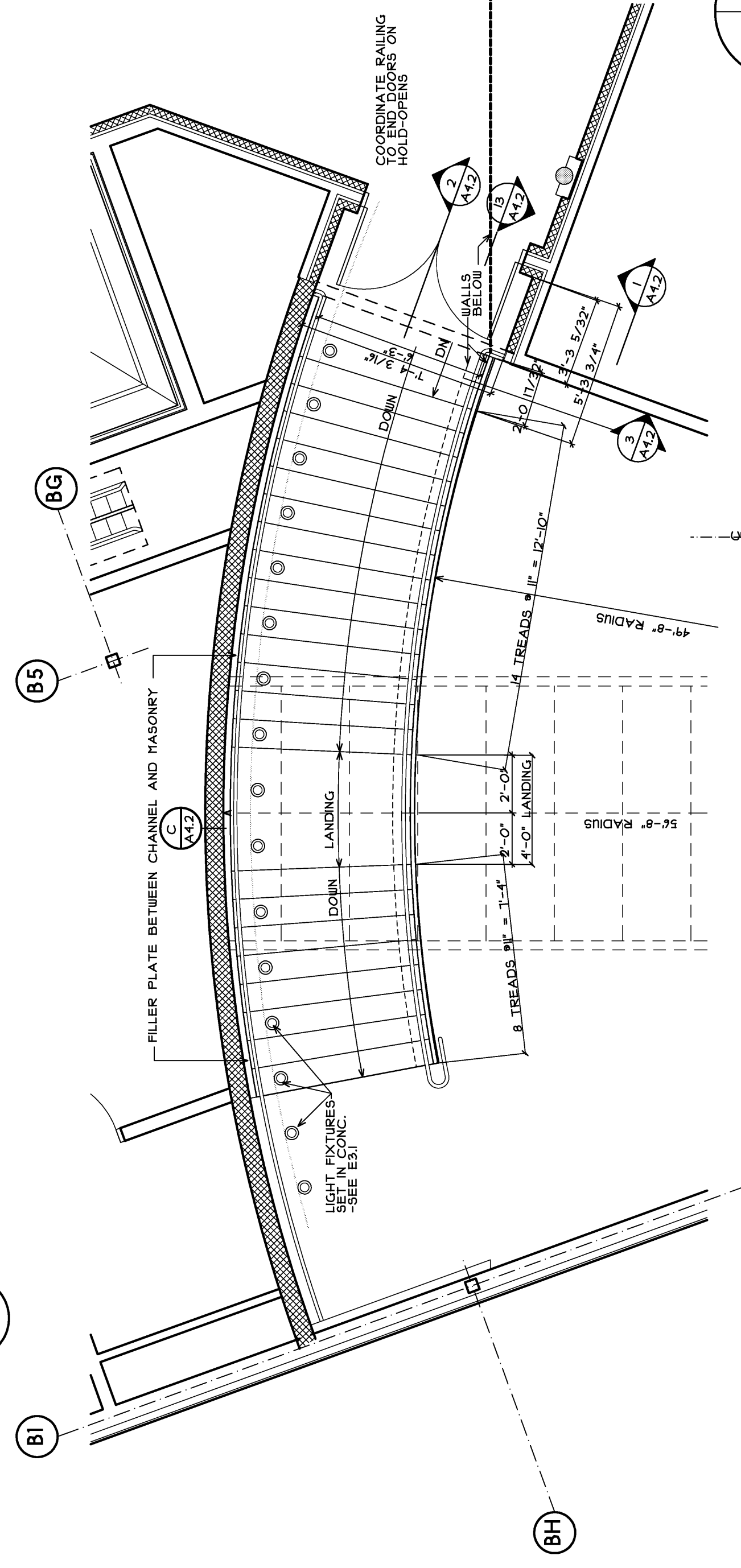
19 MAIN LOBBY STAIRS
SCALE: 1/4" = 1'-0"



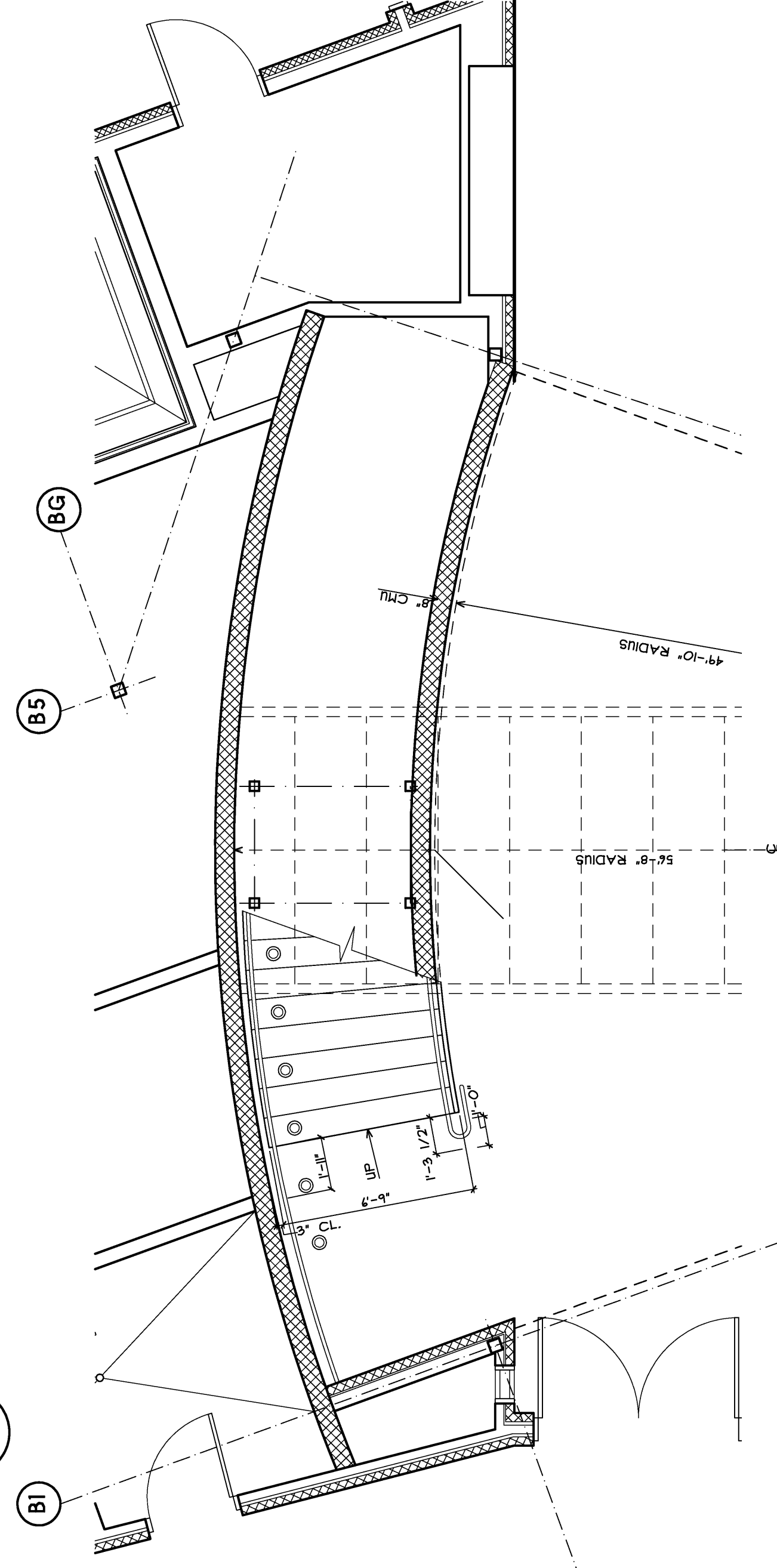
12 STAIR 319 / SECTION
SCALE: 1/4" = 1'-0"



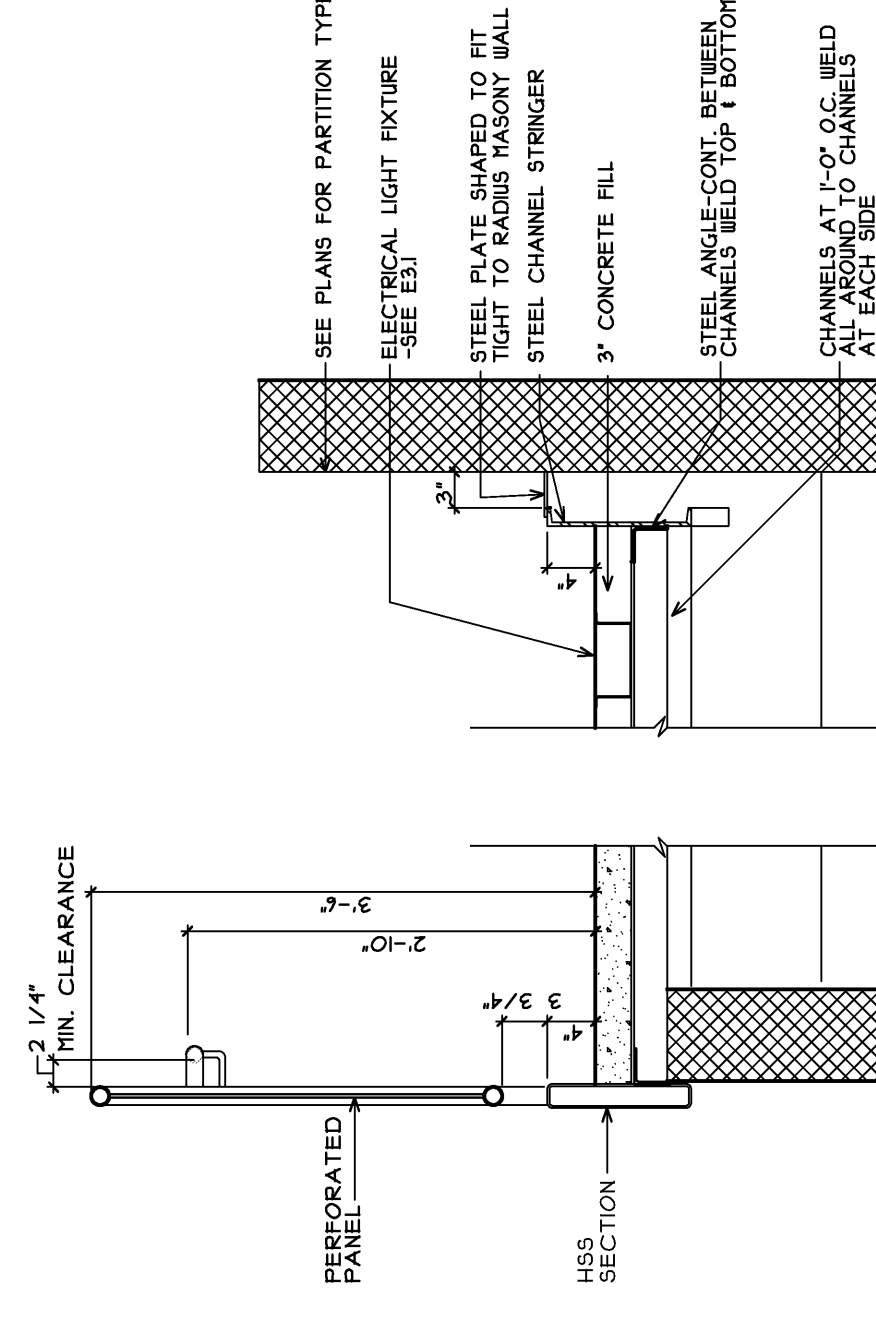
11 STAIR 319 / PLAN
SCALE: 1/4" = 1'-0"



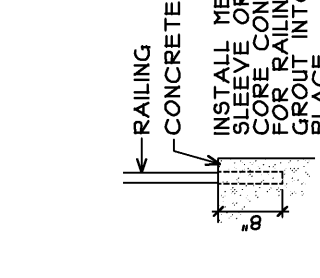
4 STAIR 103 / SECOND FLOOR PLAN
SCALE: 1/4" = 1'-0"



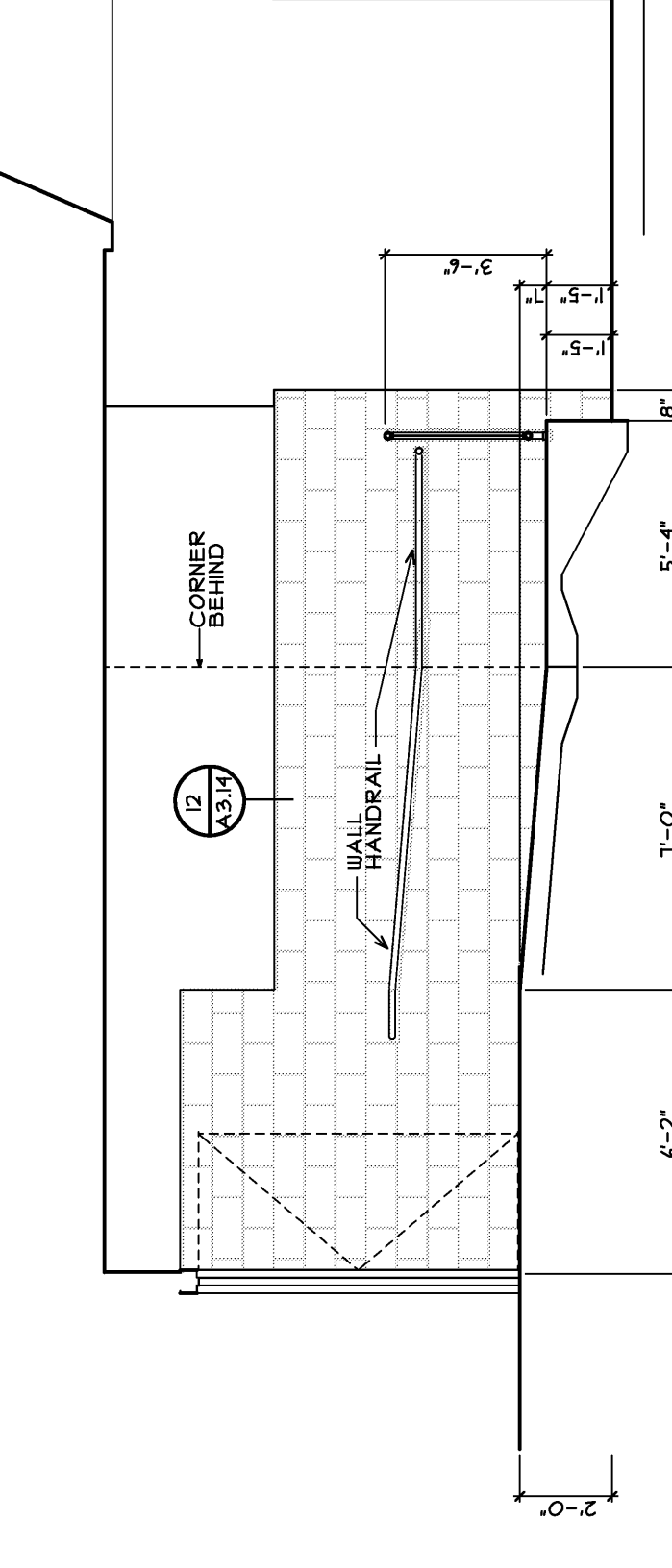
5 STAIR 103 / FIRST FLOOR PLAN
SCALE: 1/4" = 1'-0"



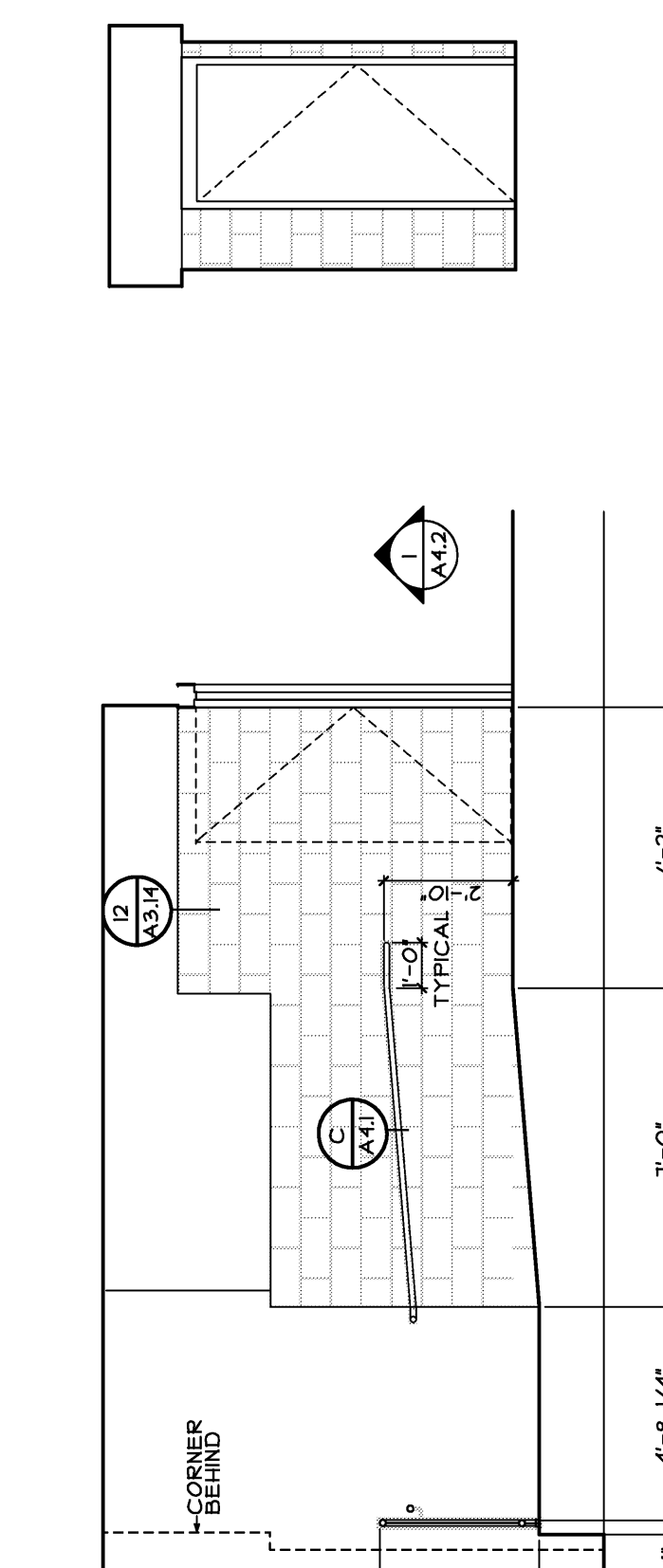
C DETAIL 9 LOBBY STAIR LANDING
SCALE: 3/4" = 1'-0"



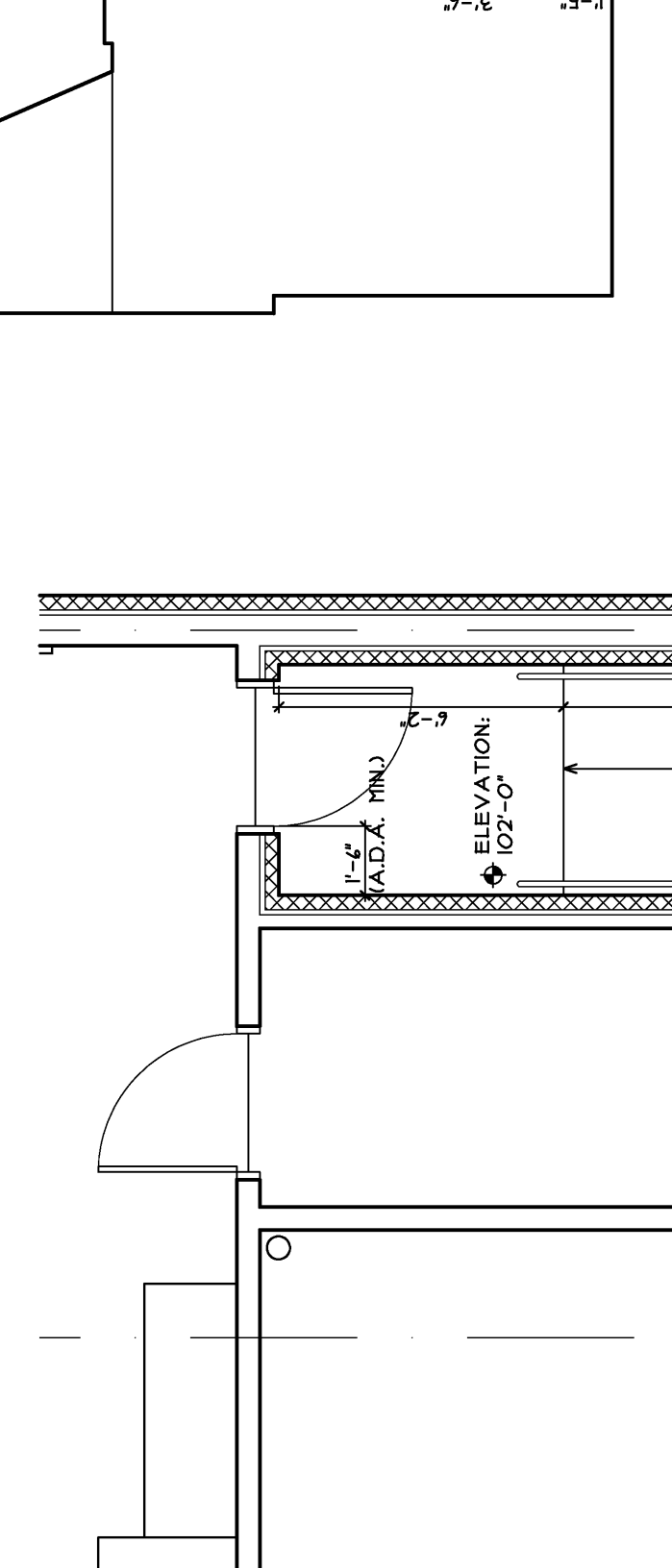
B RAMP RAIL ATTACHMENT
SCALE: 1/2" = 1'-0"



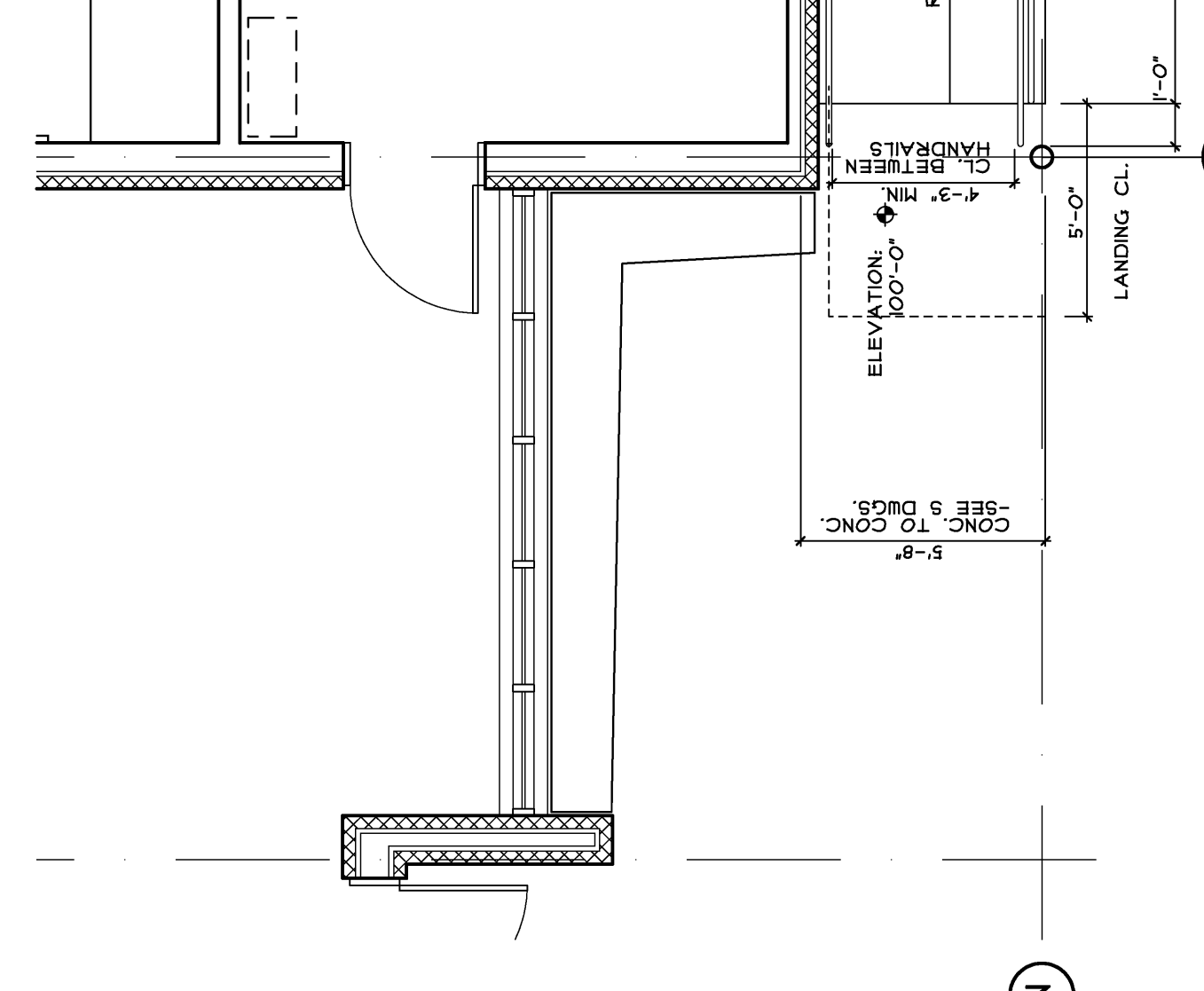
7 RAMP 313
SCALE: 1/4" = 1'-0"



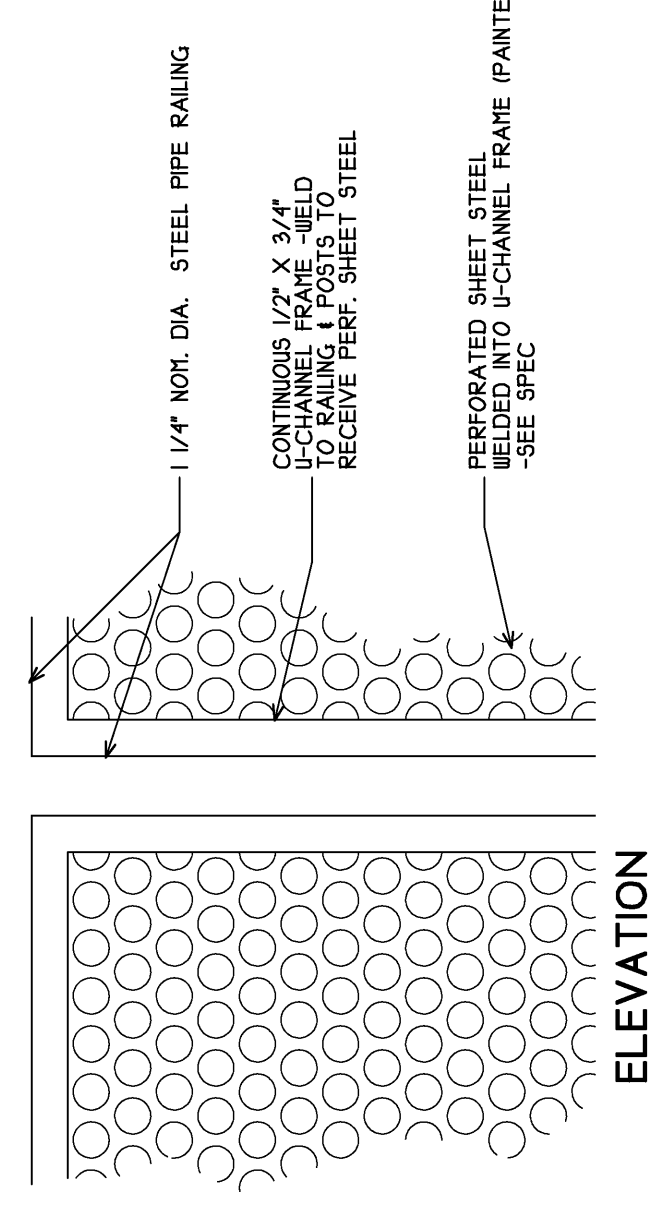
8 RAMP 313
SCALE: 1/4" = 1'-0"



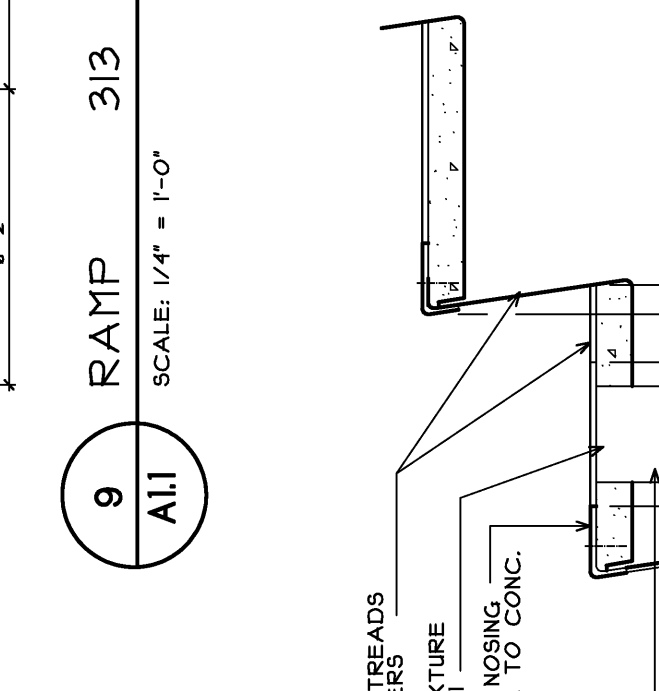
9 RAMP 313
SCALE: 1/4" = 1'-0"



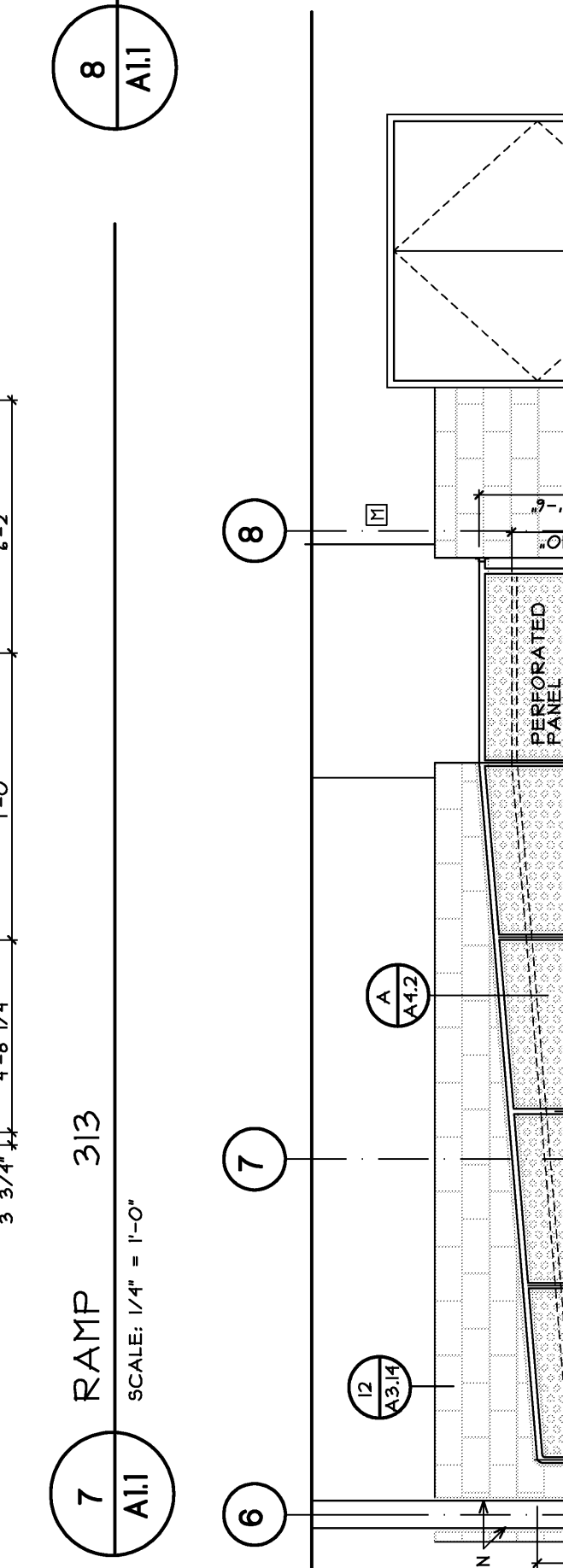
6 PARTIAL PLAN AT RAMP 313
SCALE: 1/4" = 1'-0"



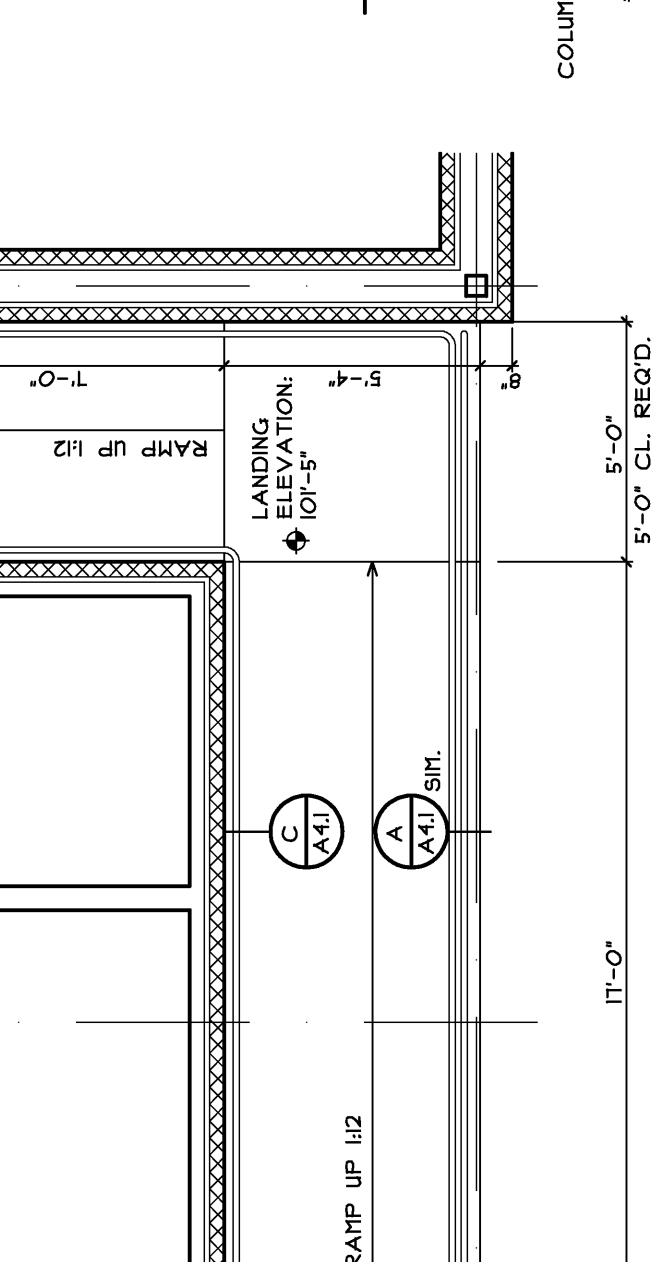
A GUARDRAIL INFILL PANEL
SCALE: 3" = 1'-0"



18 TYPICAL STAIR FINISH
SCALE: 1/2" = 1'-0"



10 RAMP 313
SCALE: 1/4" = 1'-0"



10 RAMP 313
SCALE: 1/4" = 1'-0"

	East End Elementary School Portland Public Schools Portland, Maine	Job No.: 0309 Date: July 15, 2004 Drawn by: jph Checked by: jph Drawing Title: Stair Sections Ramp Details	<h1 style="font-size: 2em;">A4.2</h1>
	Consultants: Delauch-Hartman Associates 100 Congress Street Portland, ME 04101 Phone: 603.761.9111 Fax: 603.761.9105 Email: info@delahartman.com	Reviewers: 	