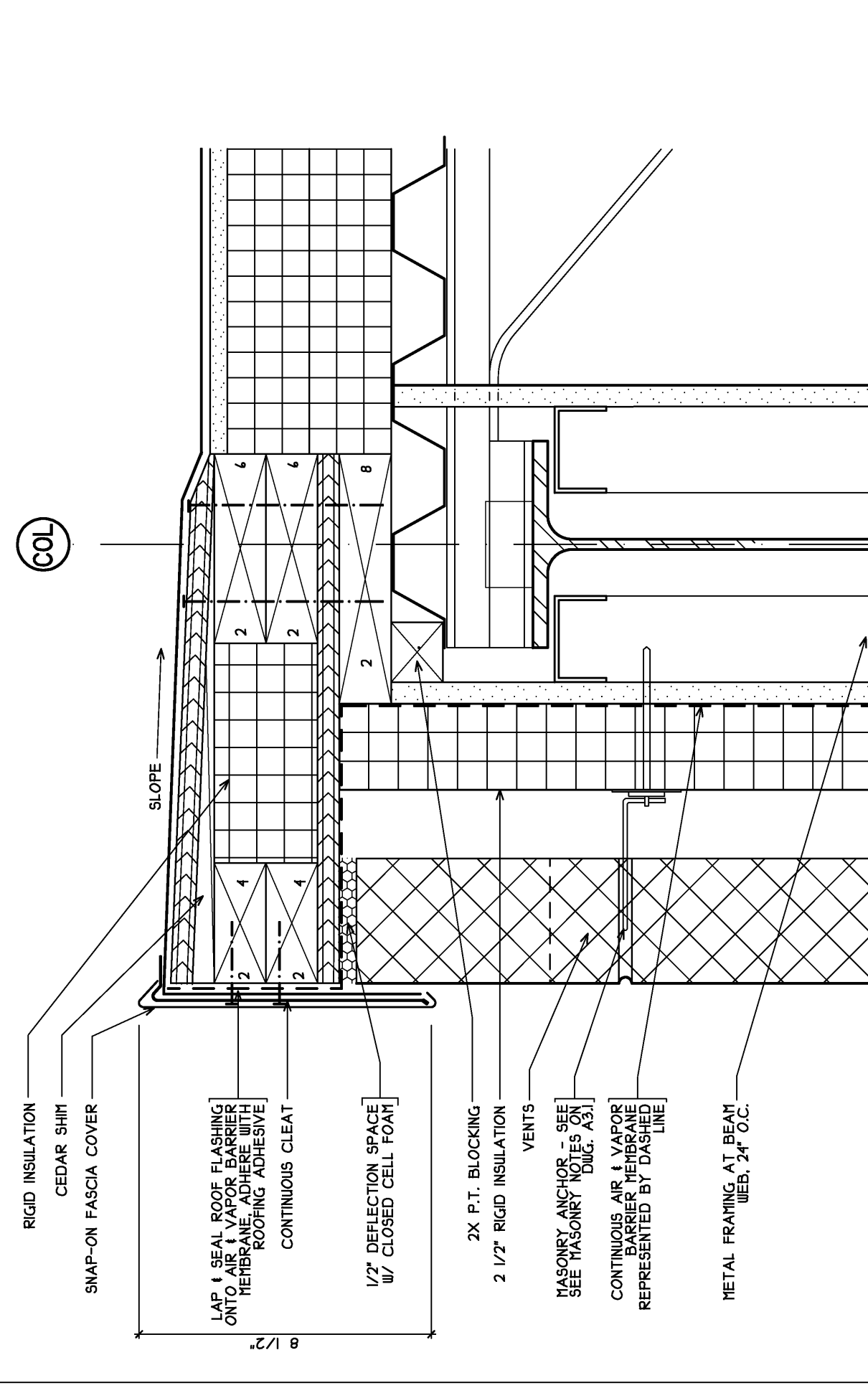
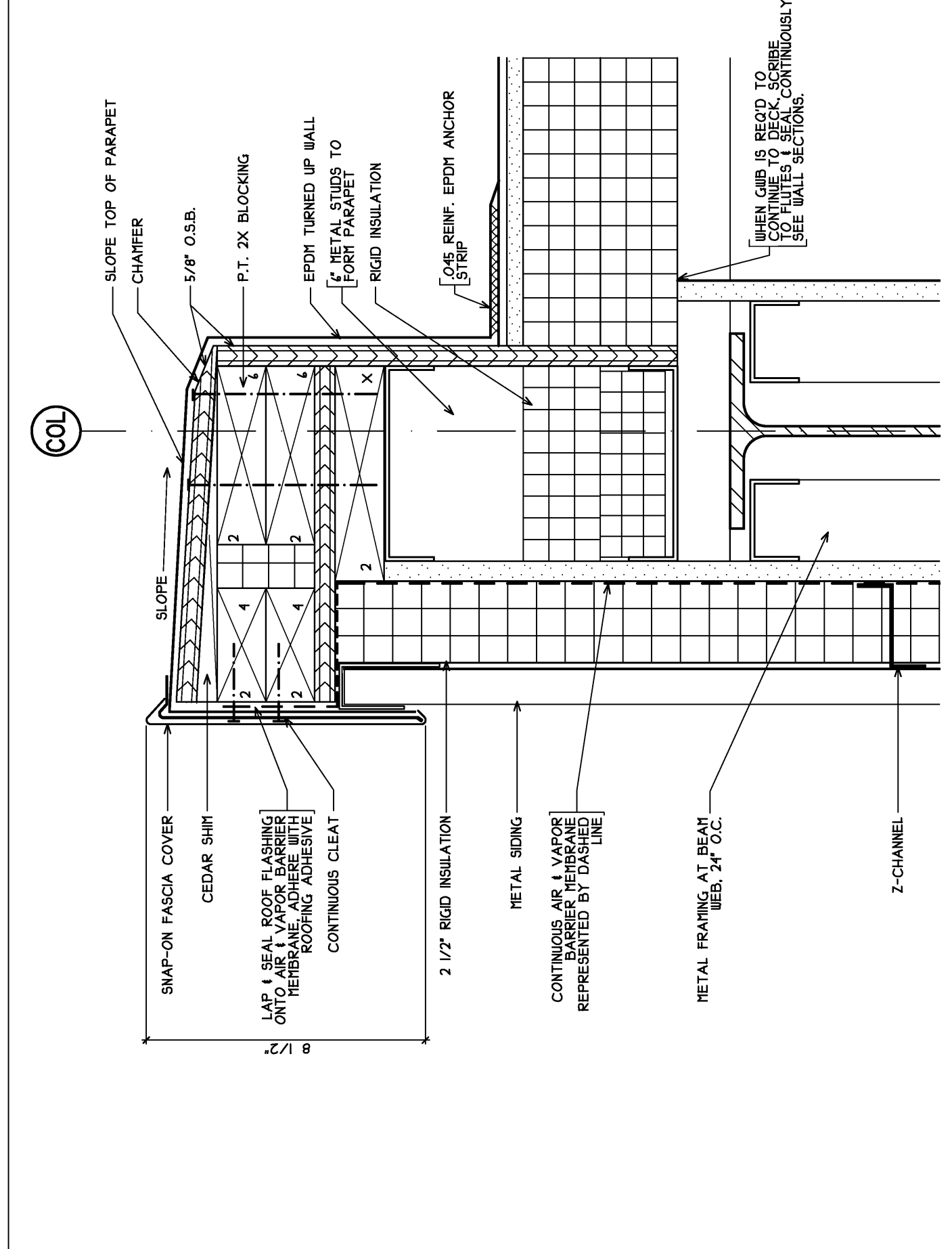


12 ROOF DETAIL - PARAPET & MASONRY VENEER
SCALE: 3" = 1'-0"

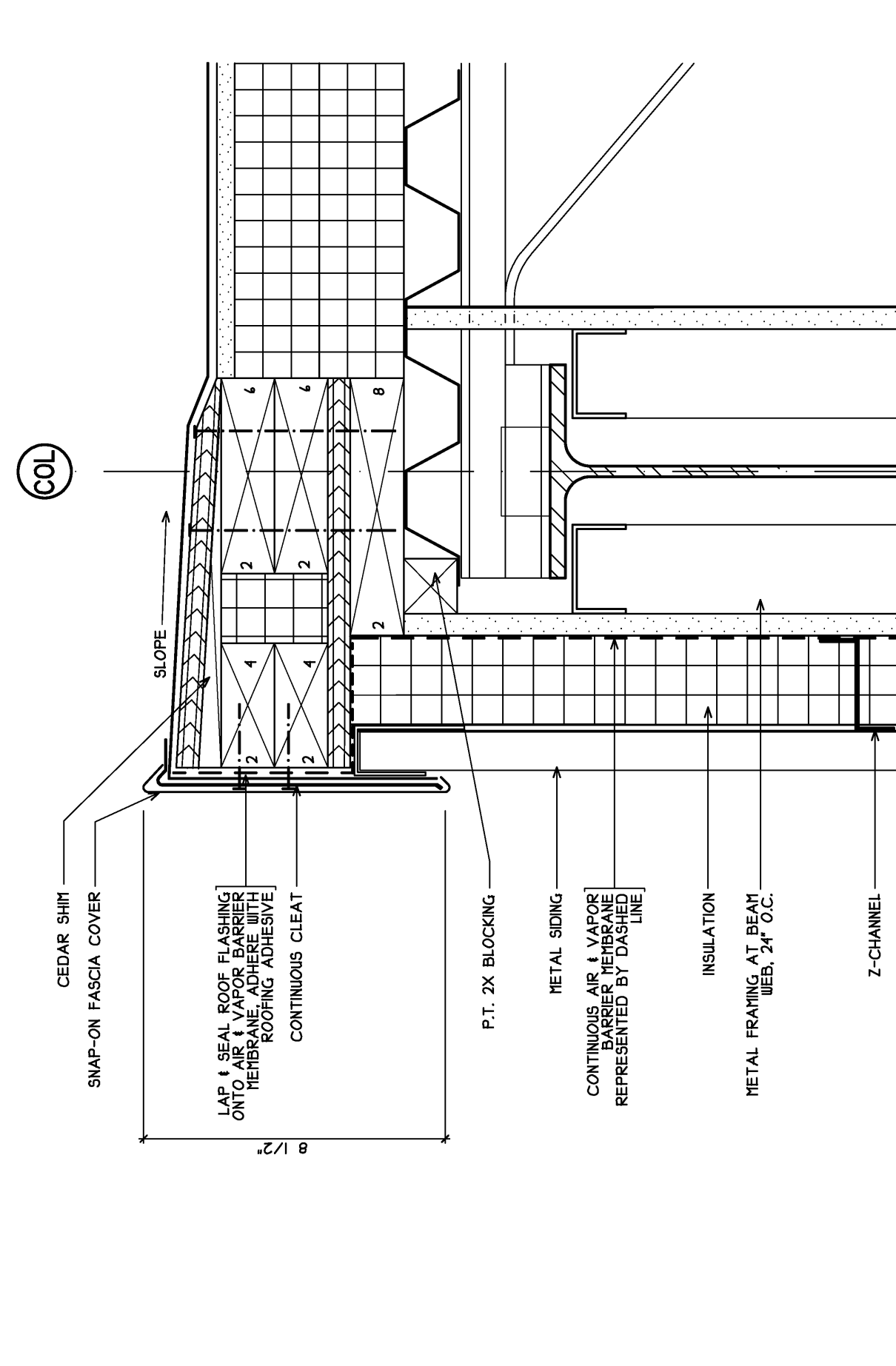
SEE A3.1.05, TYP. ROOF CONSTRUCTION NOTES



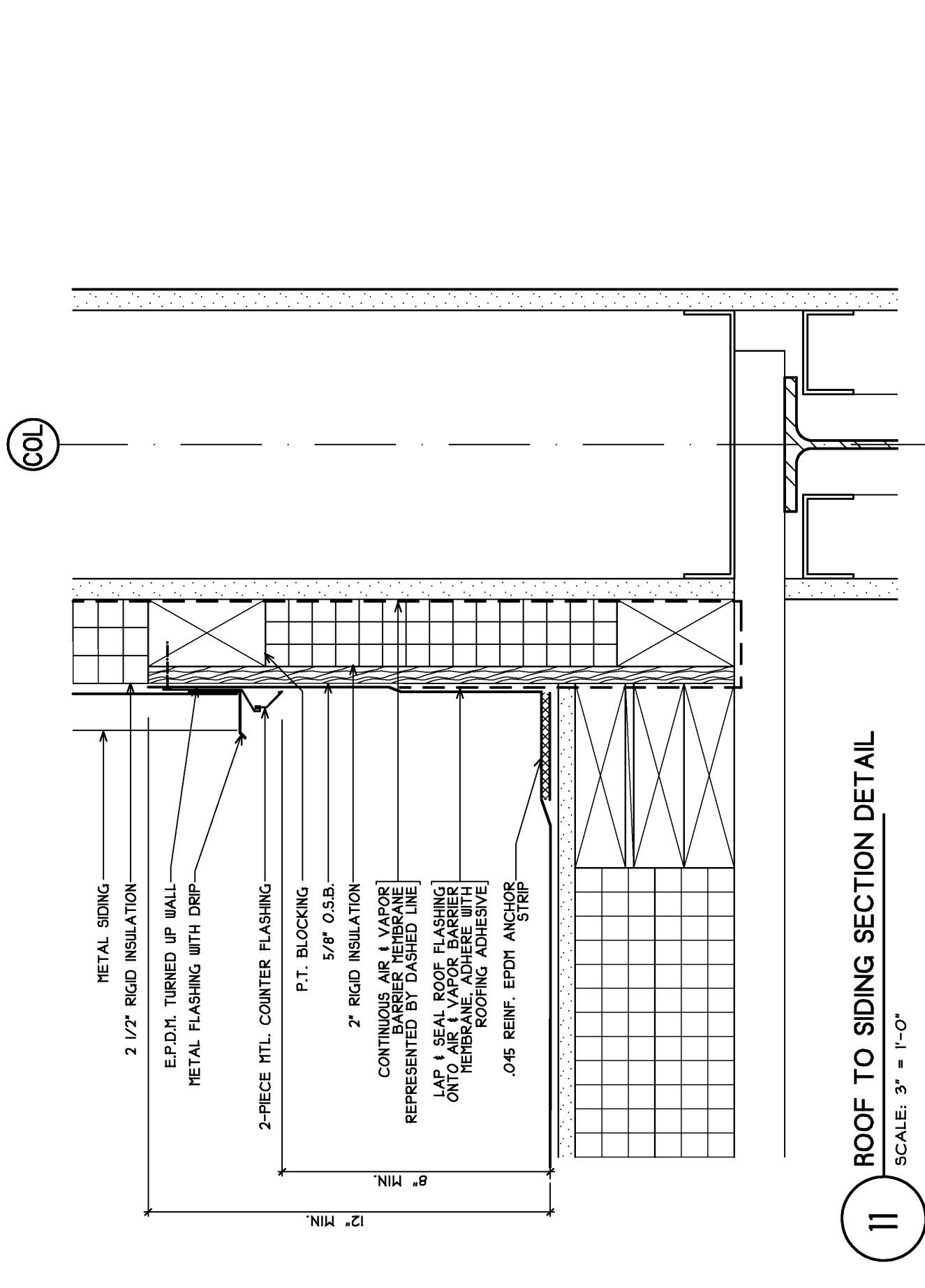
13 ROOF DETAIL - PARAPET & METAL SIDING
SCALE: 3" = 1'-0"



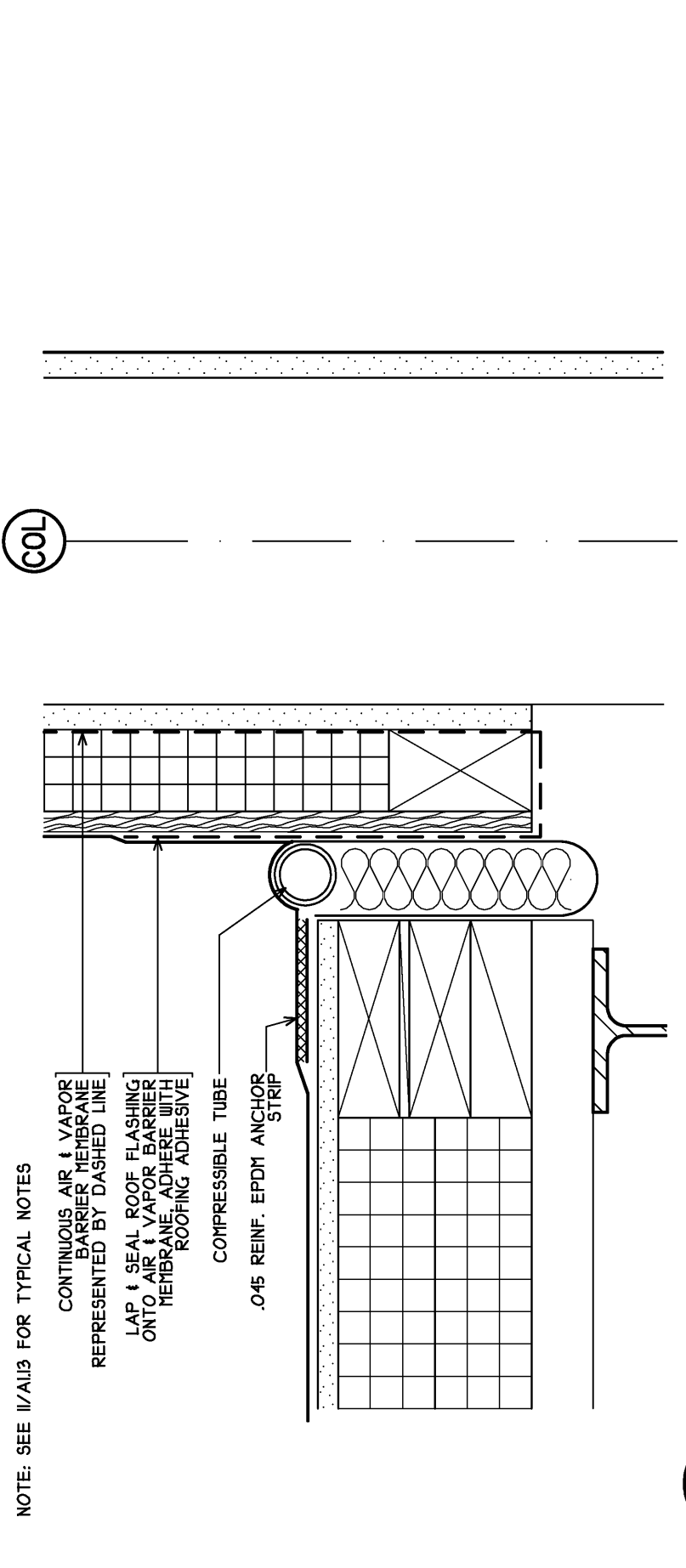
9 ROOF DETAIL - PARAPET & METAL SIDING
SCALE: 3" = 1'-0"



10 ROOF DETAIL - ROOF EDGE & METAL SIDING
SCALE: 3" = 1'-0"

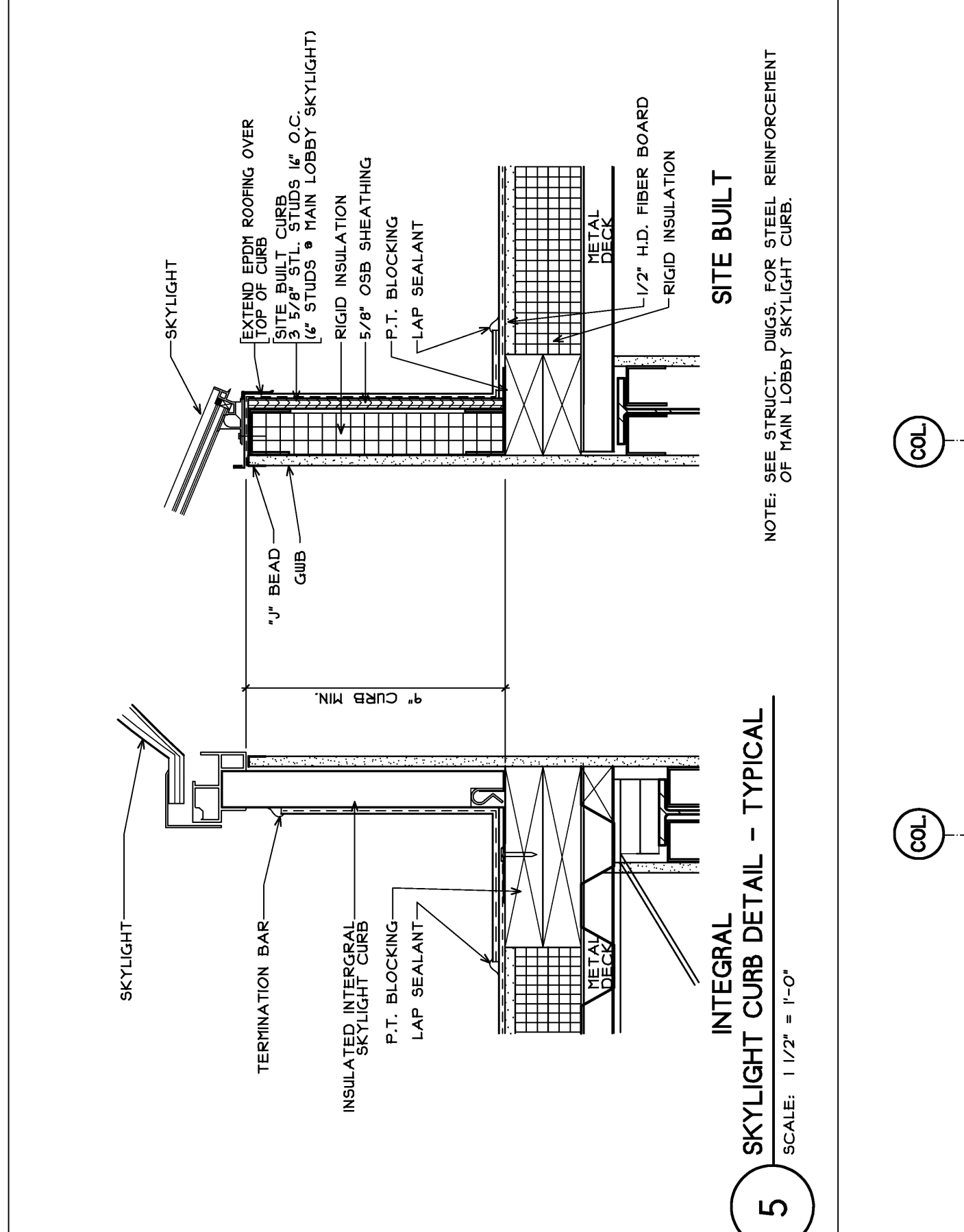


11 ROOF TO SIDING SECTION DETAIL
SCALE: 3" = 1'-0"



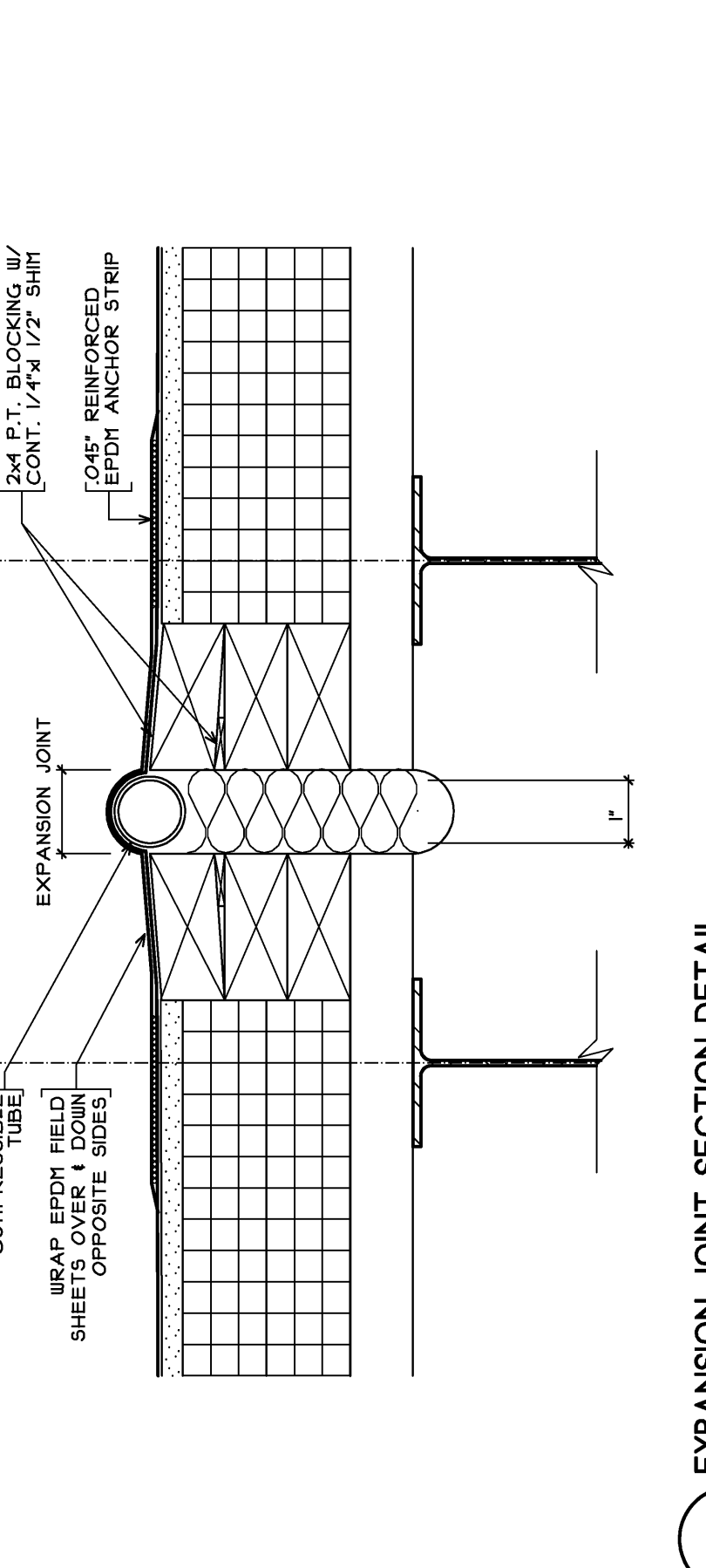
11A ROOF TO SIDING SECTION DETAIL & EXPANSION JOINT
SCALE: 3" = 1'-0"

NOTE: SEE 1/4\"/>

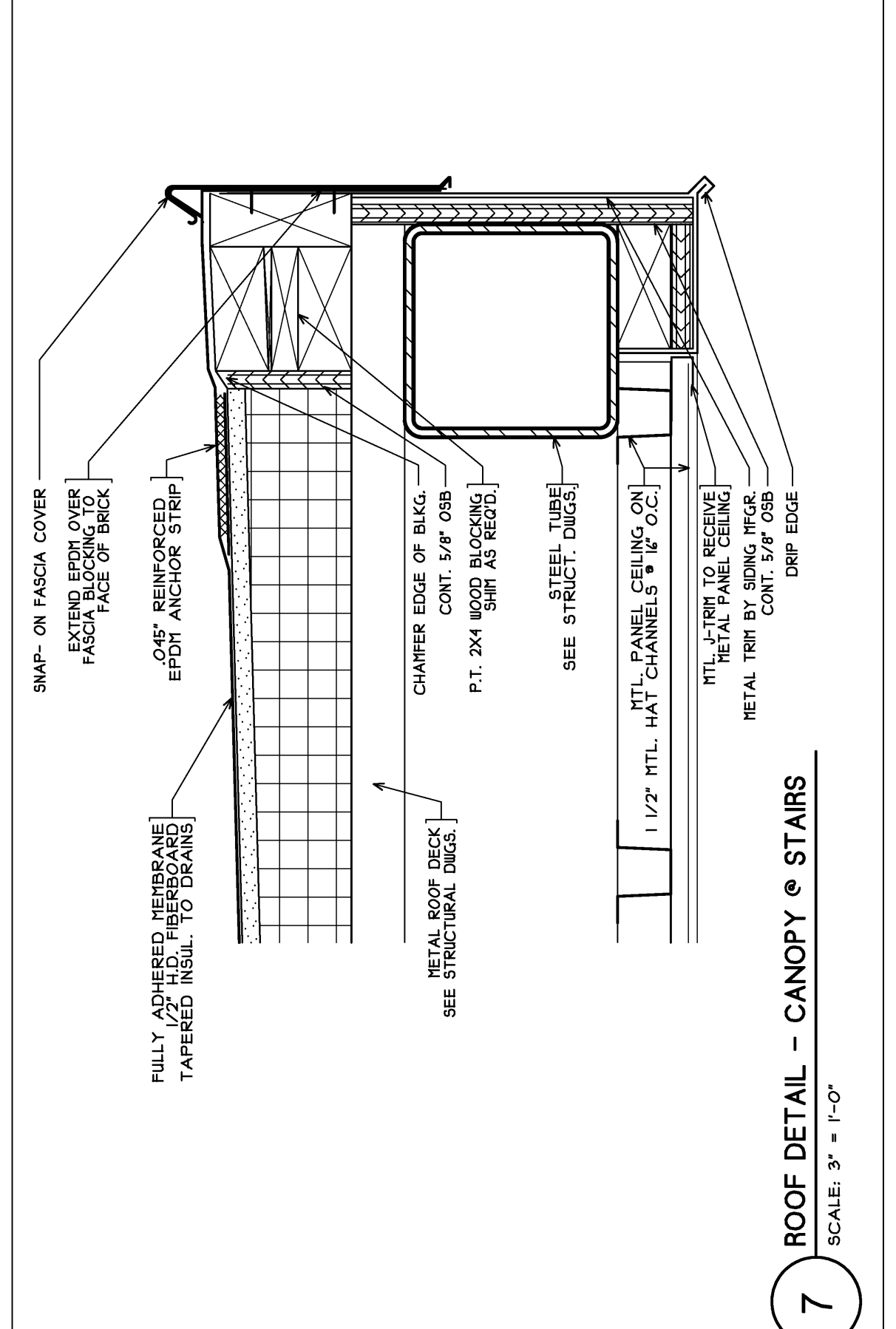


5 SKYLIGHT CURB DETAIL - TYPICAL
SCALE: 1 1/2" = 1'-0"

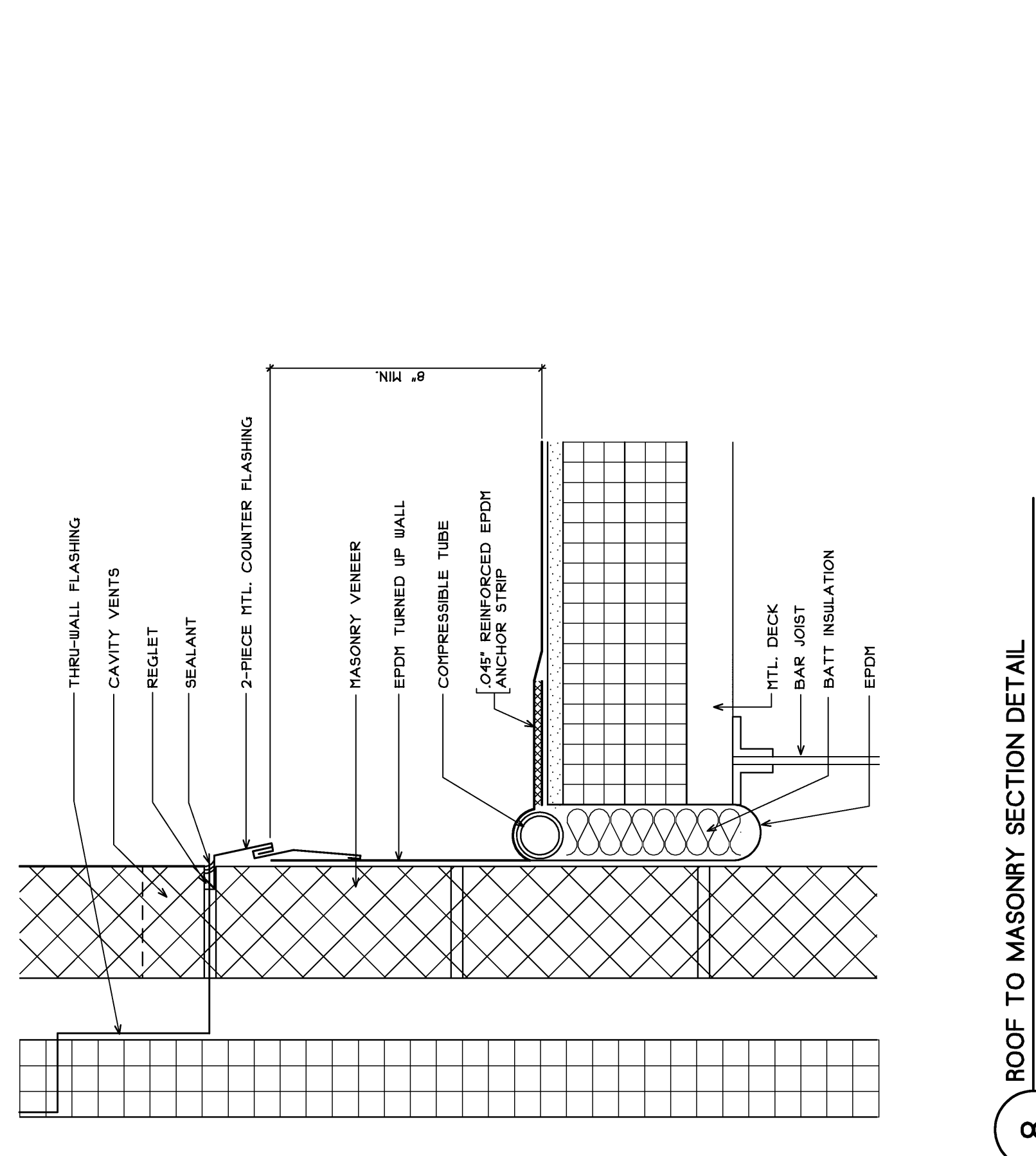
NOTE: SEE STRUCT. DINGS FOR STEEL REINFORCEMENT OF MAIN LOBBY SKYLIGHT CURB.



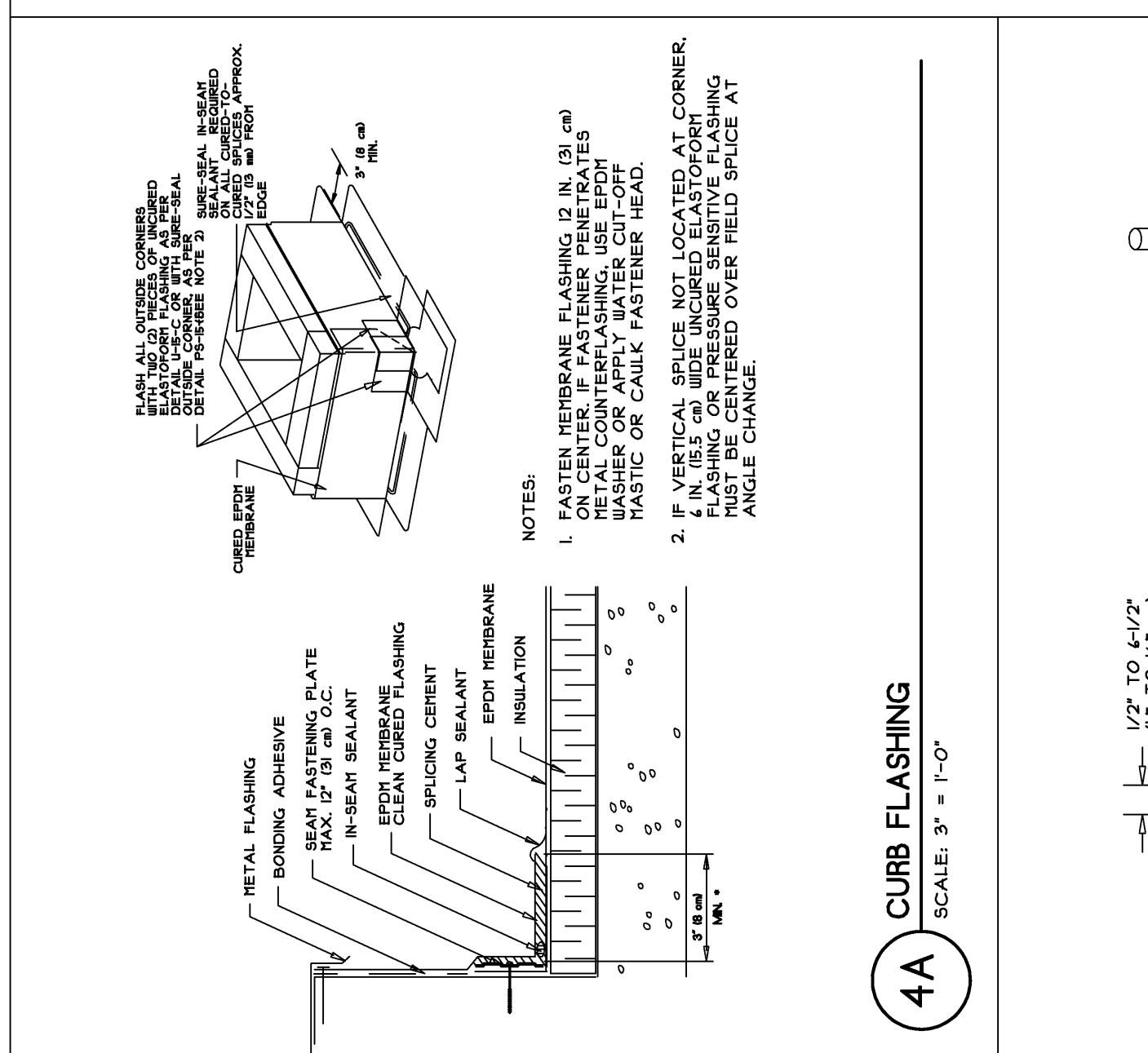
6 EXPANSION JOINT SECTION DETAIL
SCALE: 3" = 1'-0"



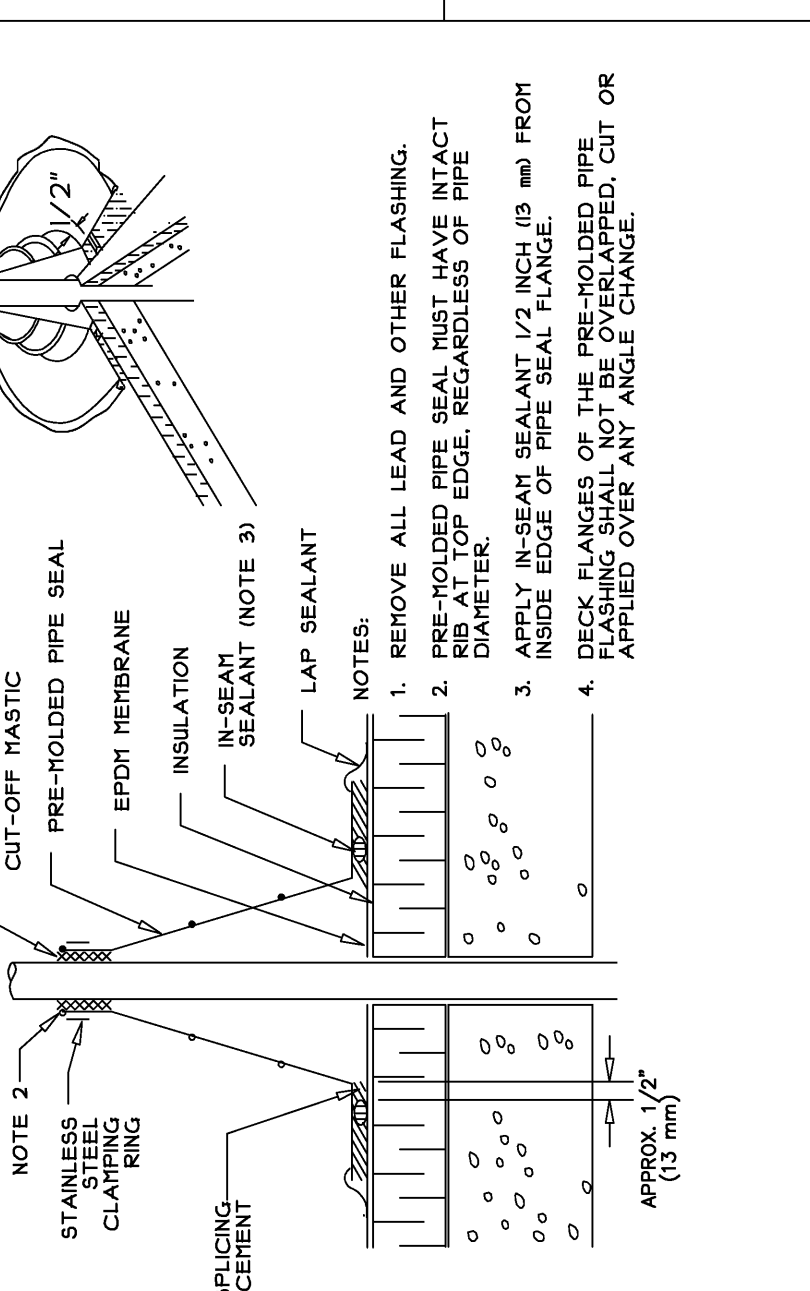
7 ROOF DETAIL - CANOPY & STAIRS
SCALE: 3" = 1'-0"



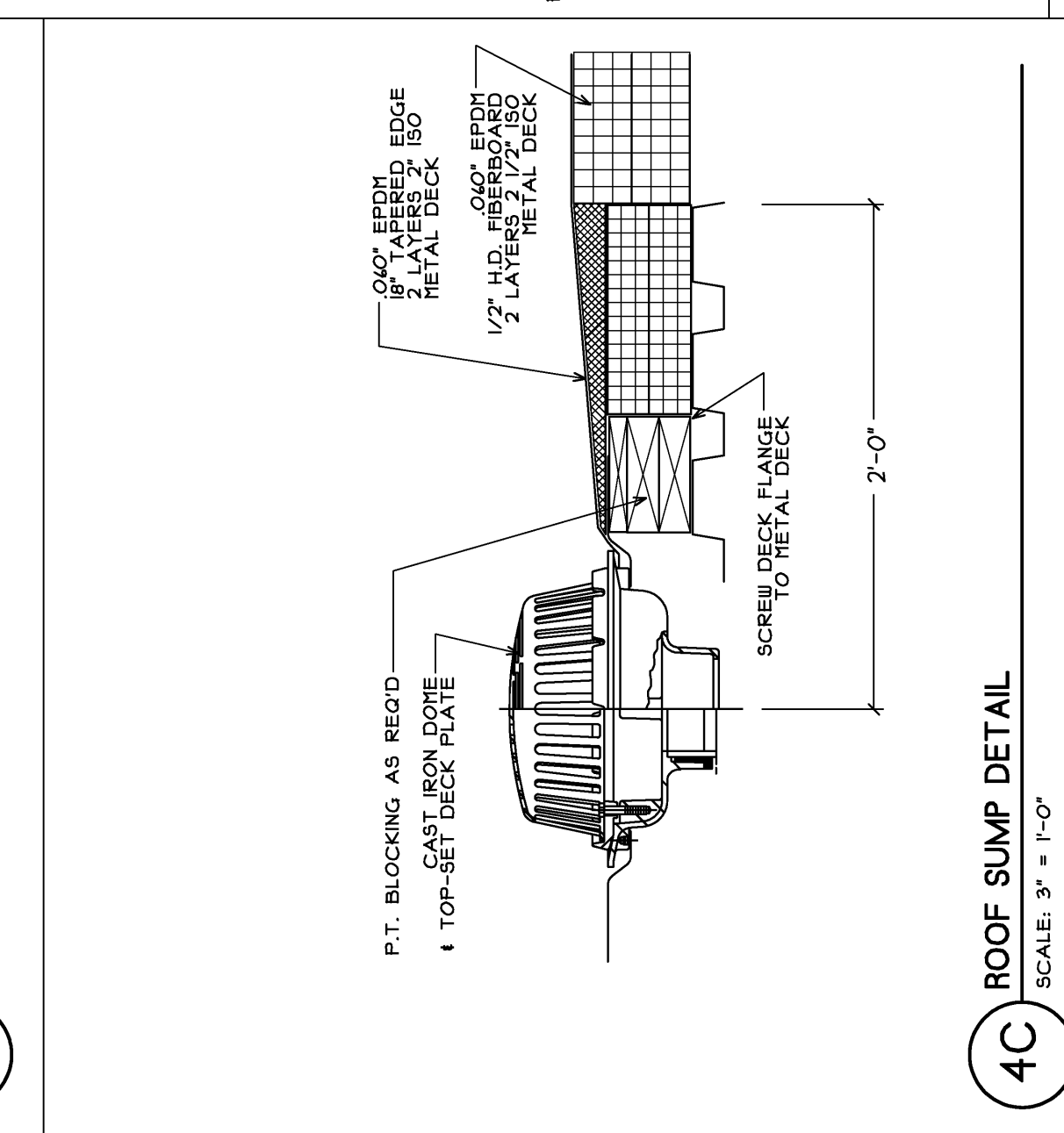
8 ROOF TO MASONRY SECTION DETAIL
SCALE: 3" = 1'-0"



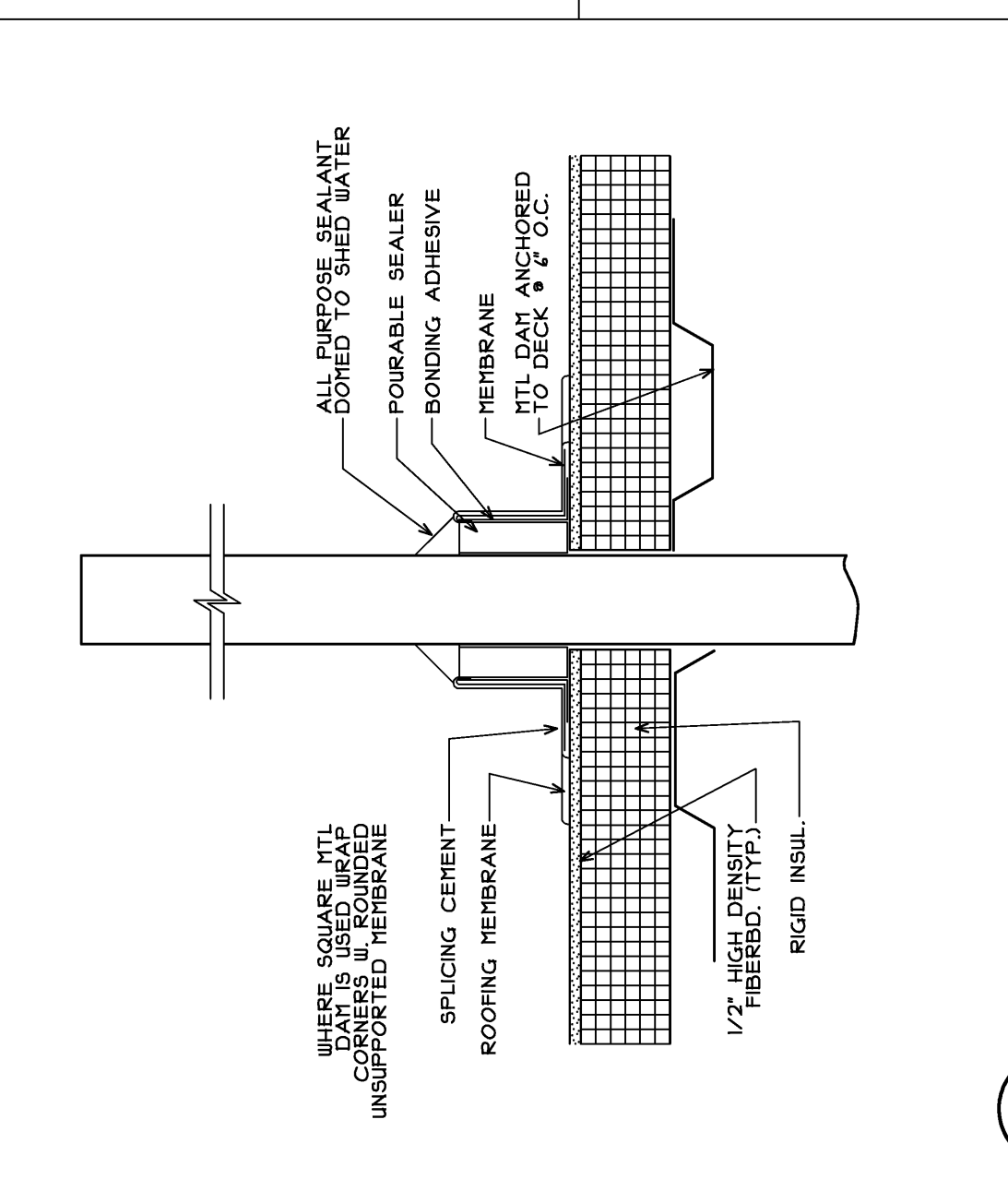
4A CURB FLASHING
SCALE: 3" = 1'-0"



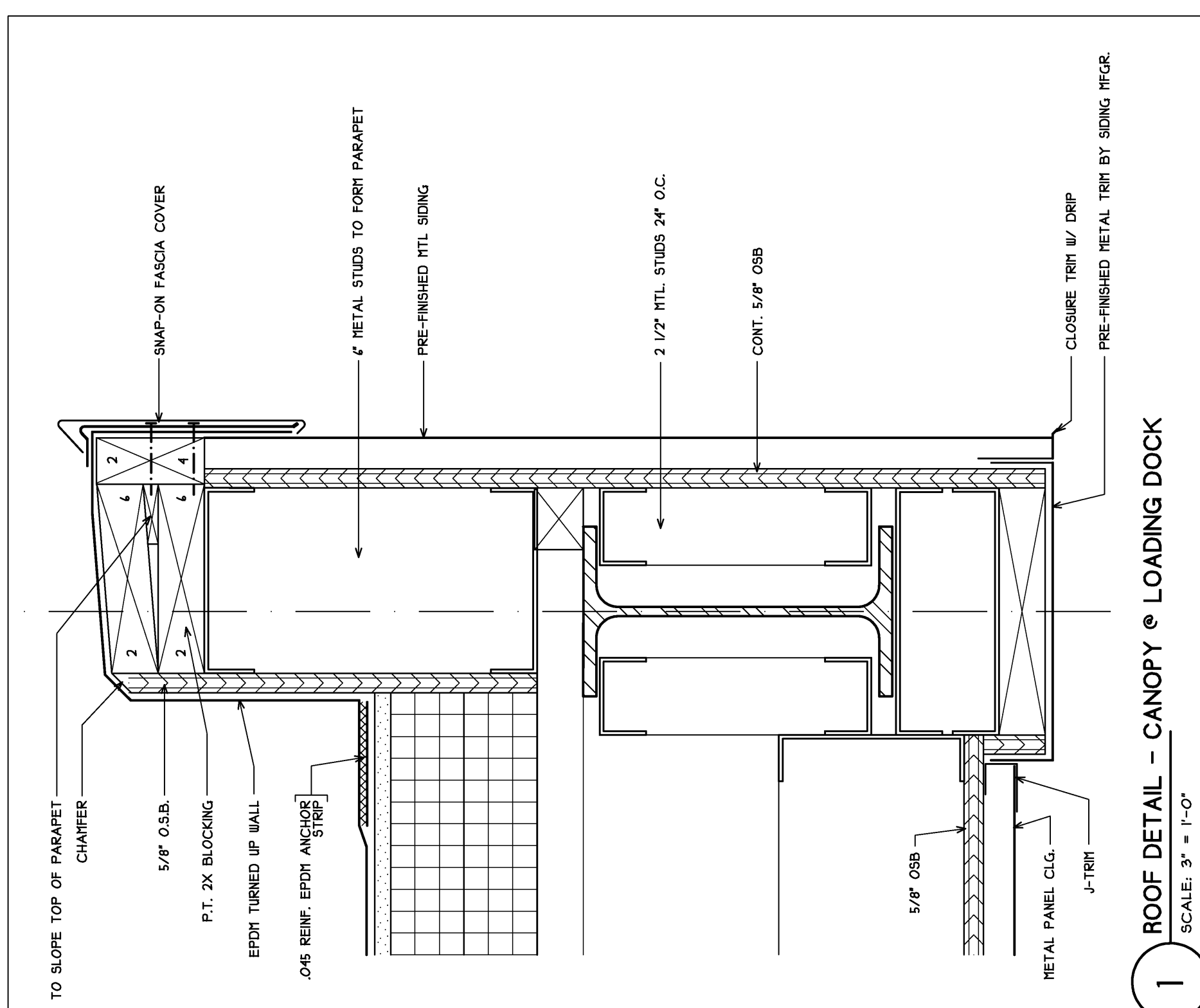
4B PRE-MOLDED VENT PIPE FLASHING
SCALE: 3" = 1'-0"



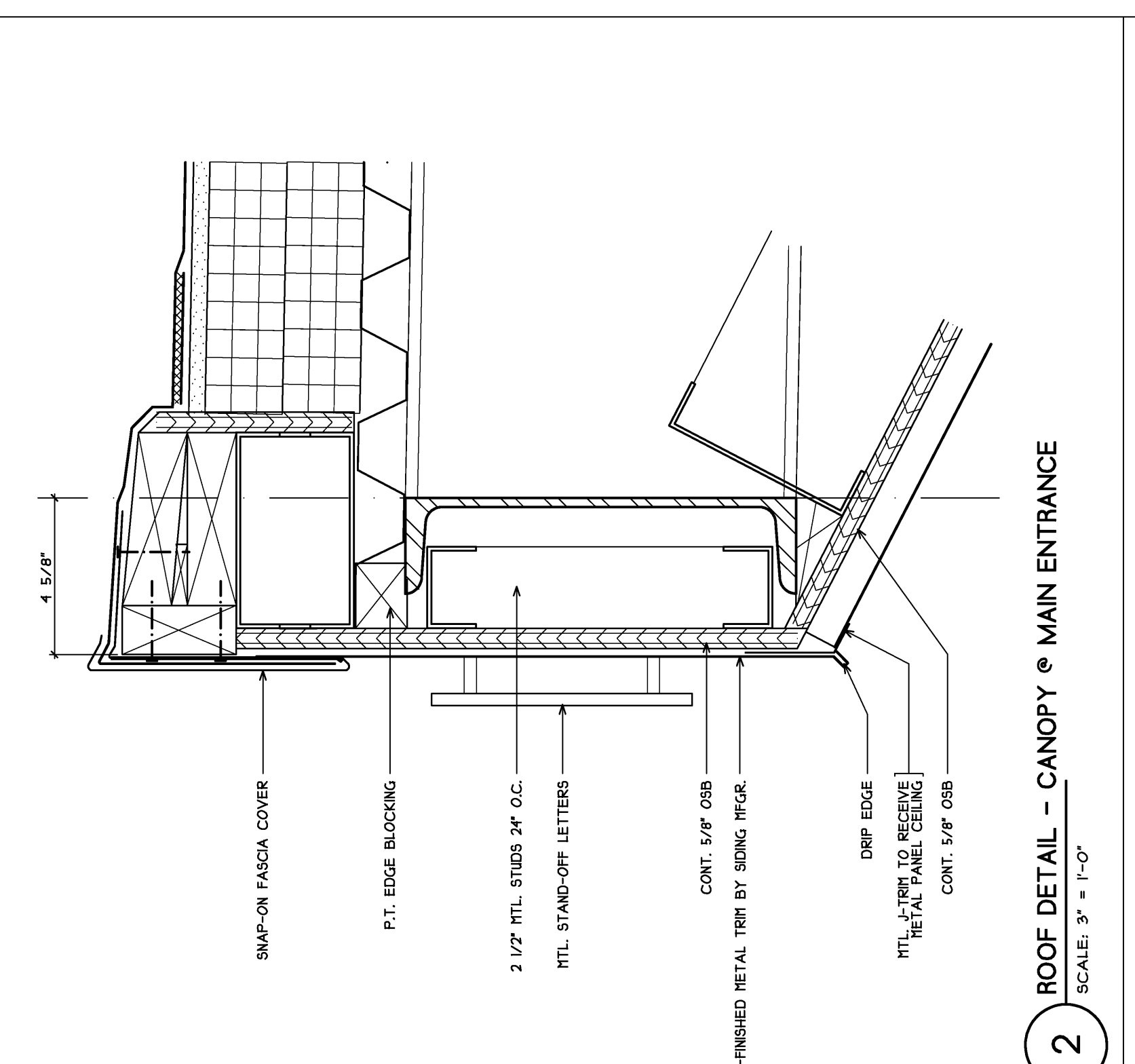
4C ROOF SUMP DETAIL
SCALE: 3" = 1'-0"



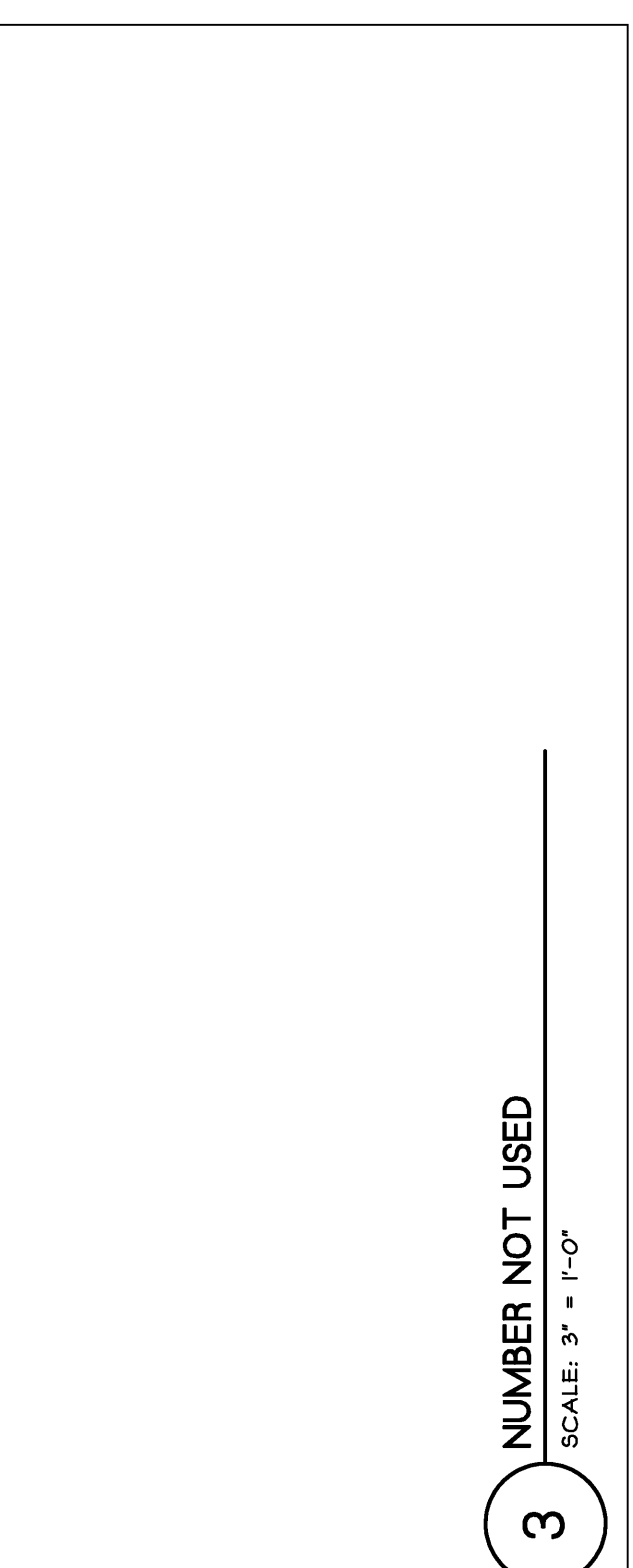
4D POURABLE SEALER POCKET
SCALE: 3" = 1'-0"



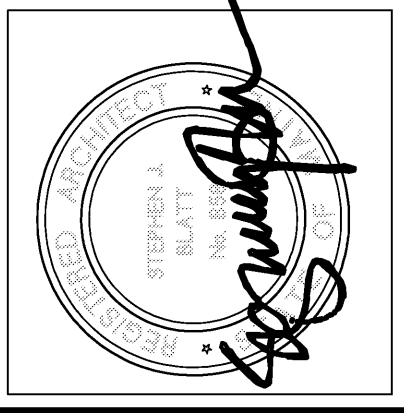
1 ROOF DETAIL - CANOPY & LOADING DOCK
SCALE: 3" = 1'-0"



2 ROOF DETAIL - CANOPY & MAIN ENTRANCE
SCALE: 3" = 1'-0"



3 NUMBER NOT USED
SCALE: 3" = 1'-0"



STEPHEN J. SZYMANSKI
Professional Engineer
License No. 10000
State of Maine
2017/01/29/11
2021/12/10/05
szymanski@seco.com

Consultants
Civil Engineer
Landscape Architect
Structural Engineer
Mechanical Engineer
Electrical Engineer
Barrett Design
James Dabbe
TJM Consulting
Fore Solutions

East End Elementary School
Portland, Maine
AR No.: 0309
Date: July 15, 2024
Scale: 3" = 1'-0"
Checked by: jh
Drawn by: jh
Roof Details

A1.13