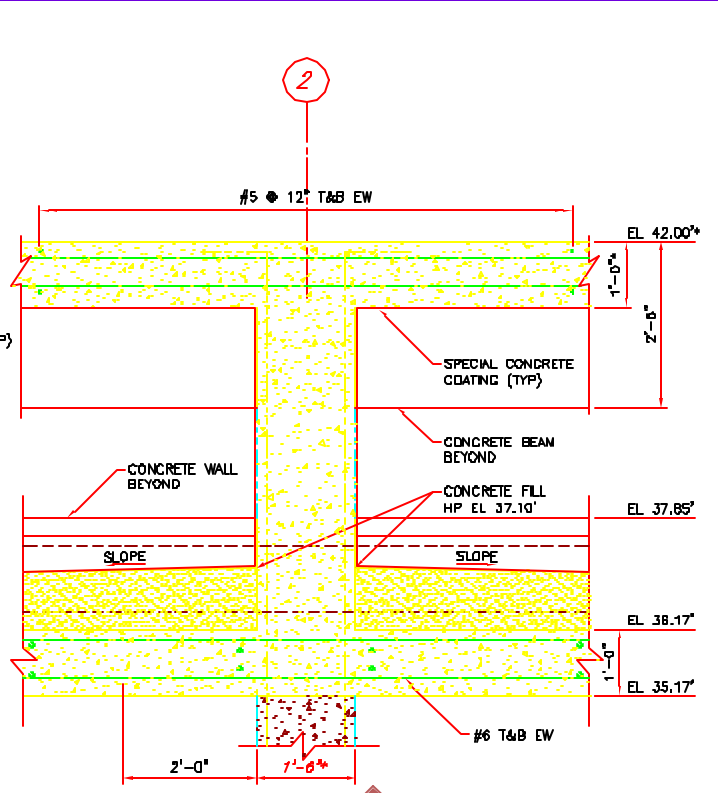
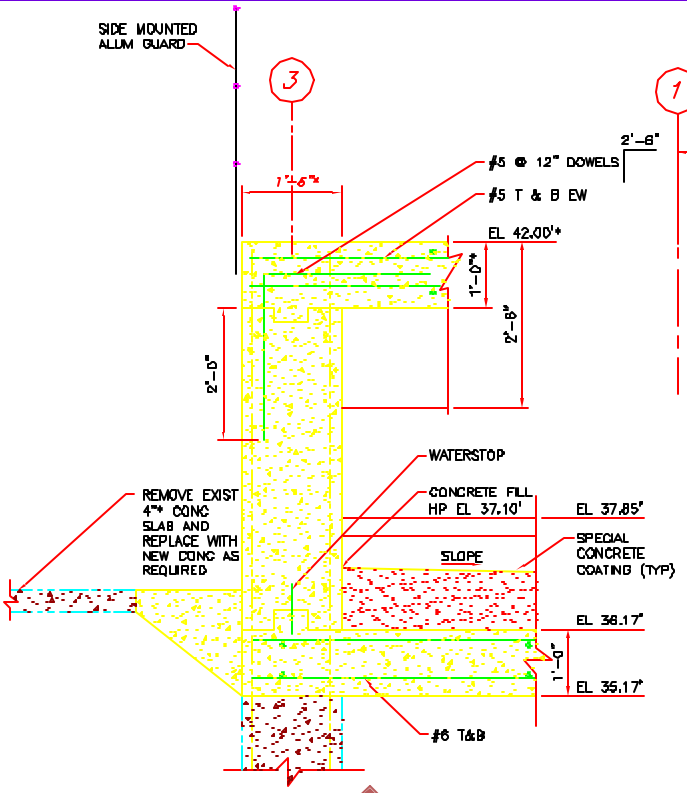


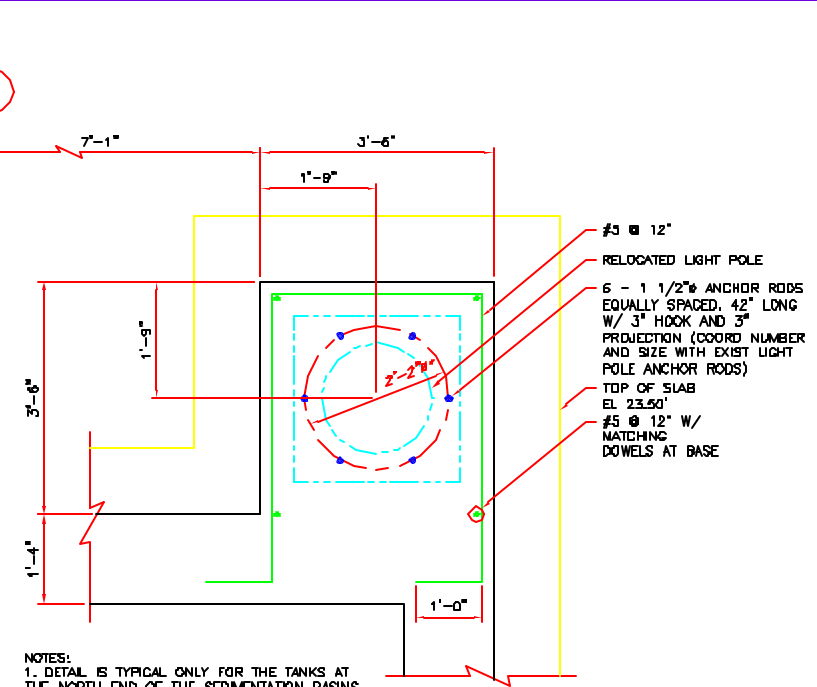
SECTION 1
SCALE: 3/4"=1'-0"



SECTION 2
SCALE: 3/4"=1'-0"

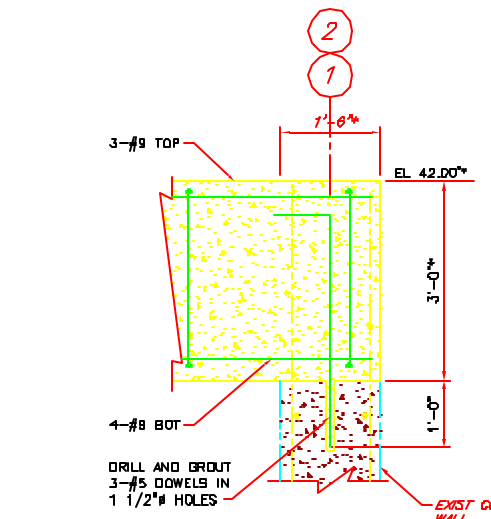


SECTION 3
SCALE: 3/4"=1'-0"

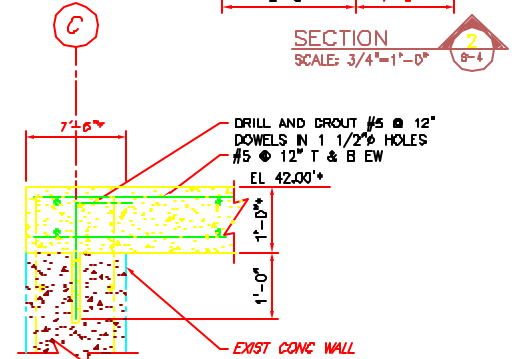


DETAIL B
SCALE: 3/4"=1'-0"

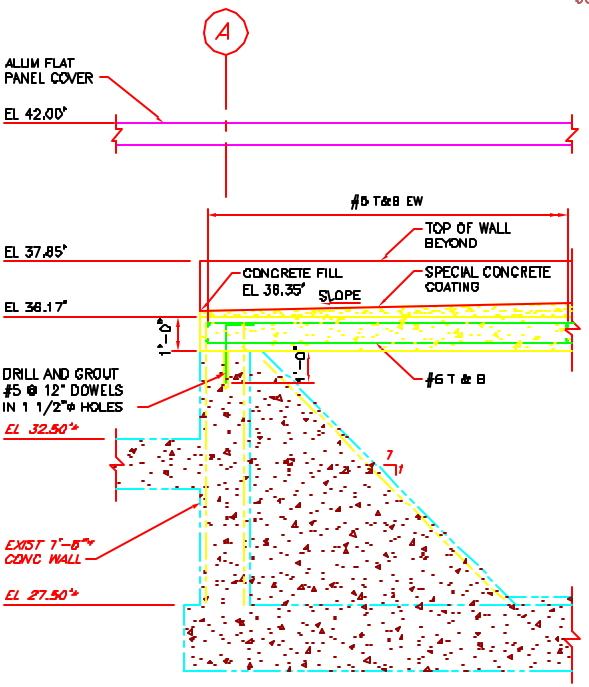
NOTES:
1. DETAIL IS TYPICAL ONLY FOR THE TANKS AT THE NORTH END OF THE SEDIMENTATION BASINS.
2. WALL REINFORCING NOT SHOWN FOR CLARITY



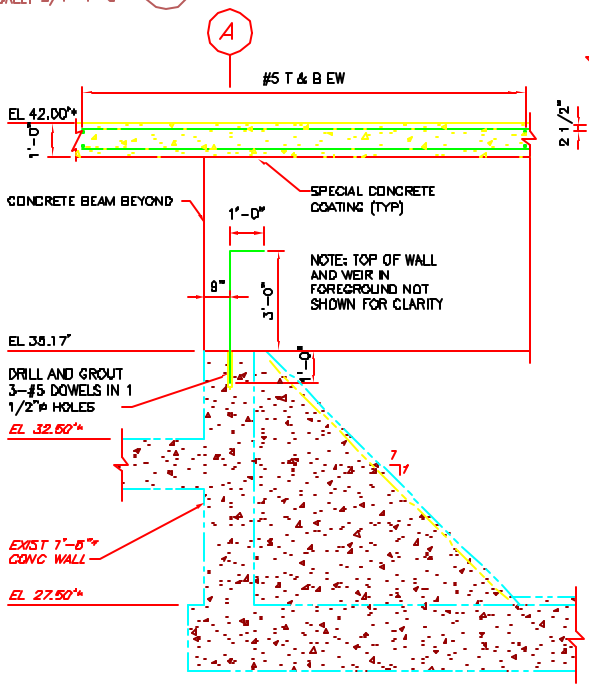
DETAIL K
SCALE: 3/4"=1'-0"



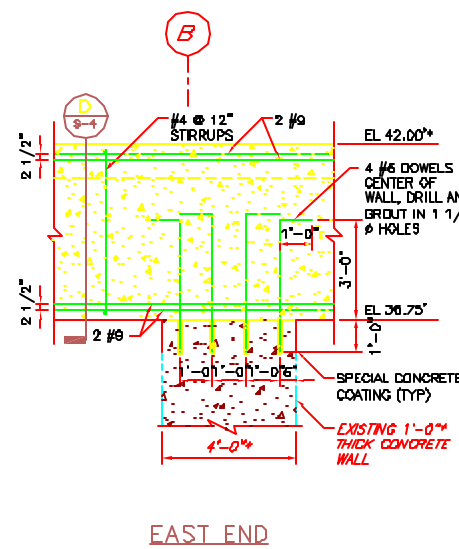
DETAIL L
SCALE: 3/4"=1'-0"



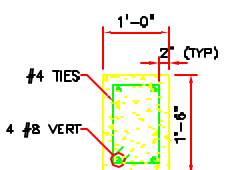
SECTION 4
SCALE: 3/8"=1'-0"



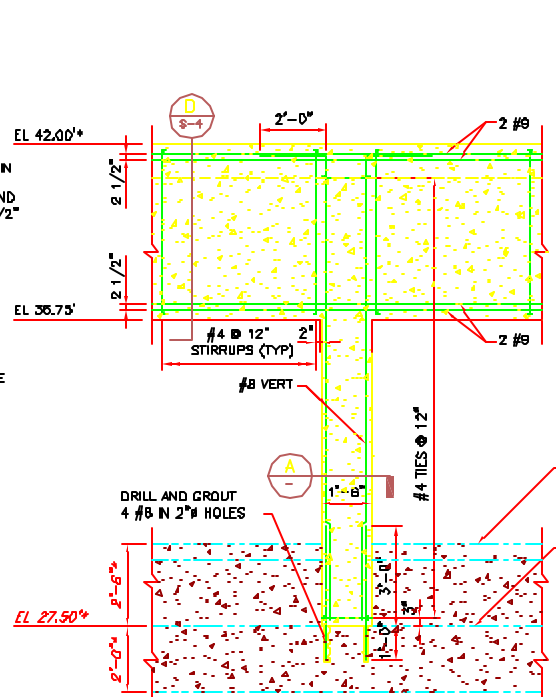
SECTION 5
SCALE: 3/8"=1'-0"



EAST END

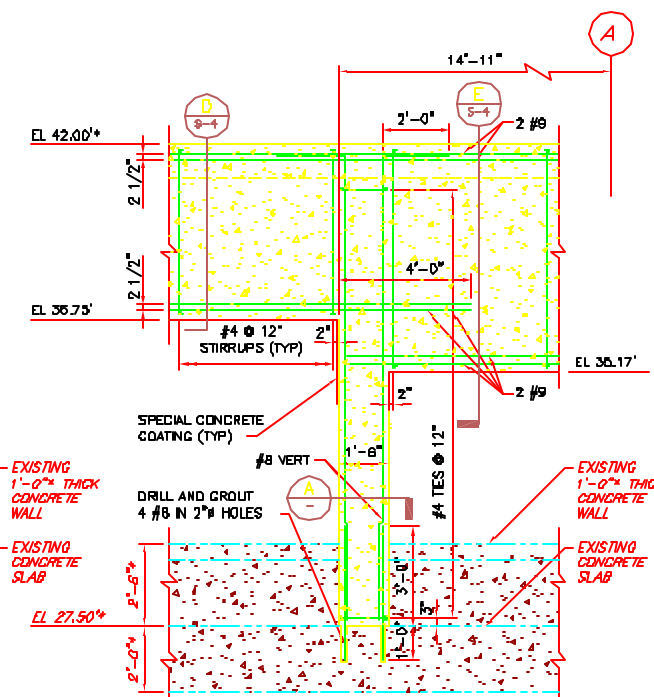


DETAIL A
SCALE: 3/4"=1'-0"



INTERIOR

TYPICAL COLUMN AND BEAM ELEVATION
SCALE: 3/8"=1'-0"



WEST END

NOTES:

- * INDICATES DIMENSIONS AND/OR ELEVATIONS TAKEN FROM THE FOLLOWING RECORD DRAWINGS:
A. POLLUTION ABATEMENT FACILITIES - CONTRACT NO. 5 WASTEWATER TREATMENT PLANT, PORTLAND WATER DISTRICT, BY CAMP DRESSER & MCKEE INC. DATED FEBRUARY 1973.
B. GRIT REMOVAL AND FLOW SPLITTING FACILITIES UPGRADE, PORTLAND WATER DISTRICT, PORTLAND, MAINE BY WRIGHT-PIERCE DATED MARCH 2000.
GENERAL CONTRACTOR SHALL FIELD VERIFY ALL DIMENSIONS AND ELEVATIONS AND NOTIFY THE ENGINEER OF ANY DISCREPANCIES.
- FOR GENERAL STRUCTURAL NOTES AND STANDARD DETAILS SEE DRAWINGS S-17, S-18 AND S-18.

| NO. | DATE | BY | CHKD. | APP'D. | REVISIONS |
|-----|------|----|-------|--------|-----------|
| 1 | | | | | |
| 2 | | | | | |
| 3 | | | | | |
| 4 | | | | | |
| 5 | | | | | |
| 6 | | | | | |
| 7 | | | | | |
| 8 | | | | | |
| 9 | | | | | |
| 10 | | | | | |
| 11 | | | | | |
| 12 | | | | | |
| 13 | | | | | |
| 14 | | | | | |
| 15 | | | | | |
| 16 | | | | | |
| 17 | | | | | |
| 18 | | | | | |
| 19 | | | | | |
| 20 | | | | | |
| 21 | | | | | |
| 22 | | | | | |
| 23 | | | | | |
| 24 | | | | | |
| 25 | | | | | |
| 26 | | | | | |
| 27 | | | | | |
| 28 | | | | | |
| 29 | | | | | |
| 30 | | | | | |
| 31 | | | | | |
| 32 | | | | | |
| 33 | | | | | |
| 34 | | | | | |
| 35 | | | | | |
| 36 | | | | | |
| 37 | | | | | |
| 38 | | | | | |
| 39 | | | | | |
| 40 | | | | | |
| 41 | | | | | |
| 42 | | | | | |
| 43 | | | | | |
| 44 | | | | | |
| 45 | | | | | |
| 46 | | | | | |
| 47 | | | | | |
| 48 | | | | | |
| 49 | | | | | |
| 50 | | | | | |
| 51 | | | | | |
| 52 | | | | | |
| 53 | | | | | |
| 54 | | | | | |
| 55 | | | | | |
| 56 | | | | | |
| 57 | | | | | |
| 58 | | | | | |
| 59 | | | | | |
| 60 | | | | | |
| 61 | | | | | |
| 62 | | | | | |
| 63 | | | | | |
| 64 | | | | | |
| 65 | | | | | |
| 66 | | | | | |
| 67 | | | | | |
| 68 | | | | | |
| 69 | | | | | |
| 70 | | | | | |
| 71 | | | | | |
| 72 | | | | | |
| 73 | | | | | |
| 74 | | | | | |
| 75 | | | | | |
| 76 | | | | | |
| 77 | | | | | |
| 78 | | | | | |
| 79 | | | | | |
| 80 | | | | | |
| 81 | | | | | |
| 82 | | | | | |
| 83 | | | | | |
| 84 | | | | | |
| 85 | | | | | |
| 86 | | | | | |
| 87 | | | | | |
| 88 | | | | | |
| 89 | | | | | |
| 90 | | | | | |
| 91 | | | | | |
| 92 | | | | | |
| 93 | | | | | |
| 94 | | | | | |
| 95 | | | | | |
| 96 | | | | | |
| 97 | | | | | |
| 98 | | | | | |
| 99 | | | | | |
| 100 | | | | | |

Wright-Pierce
99 Main Street
Topsham, Maine USA 04086
TEL (207) 725-8721 FAX (207) 725-8414

PORTLAND WATER DISTRICT
PORTLAND, MAINE
PRIMARY SEDIMENTATION BASINS
UPGRADE WITH ODOR CONTROL FACILITIES
PRIMARY SEDIMENTATION BASINS
SECTIONS AND DETAILS
DWG S-5
14 OF 79