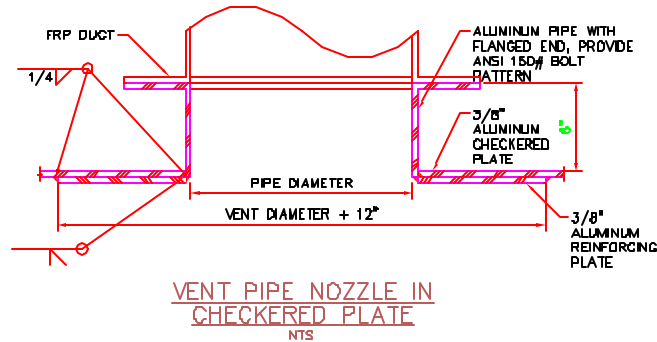
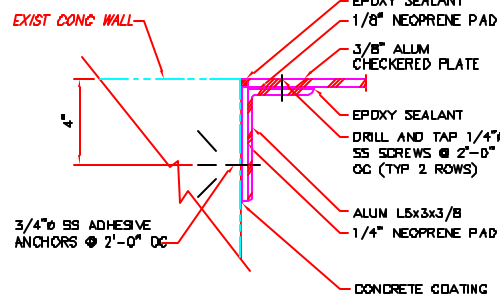


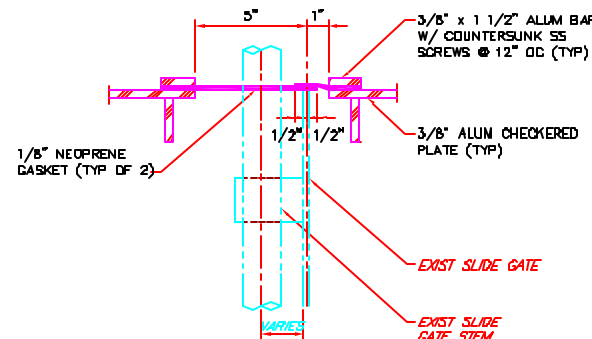
**TOE PLATE**  
NTS



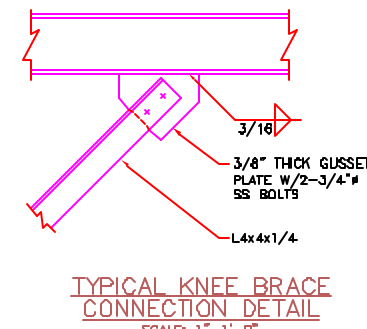
**VENT PIPE NOZZLE IN CHECKERED PLATE**  
NTS



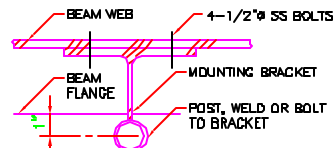
**TYPICAL ALUMINUM CHECKERED PLATE EDGE CONNECTION DETAIL**  
SCALE: 3"=1'-0"



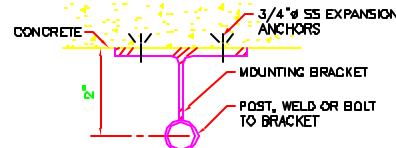
**DETAIL OF CHECKERED PLATE AT EXISTING SLIDE GATES**  
SCALE: 3"=1'-0"



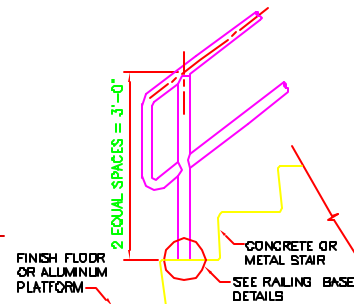
**TYPICAL KNEE BRACE CONNECTION DETAIL**  
SCALE: 1"=1'-0"



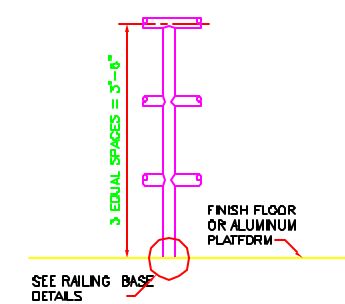
**SIDE MOUNTED RAILING BASE**  
NTS



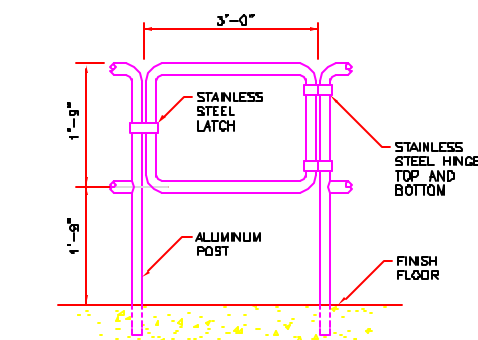
**SIDE MOUNTED RAILING BASE**  
NTS



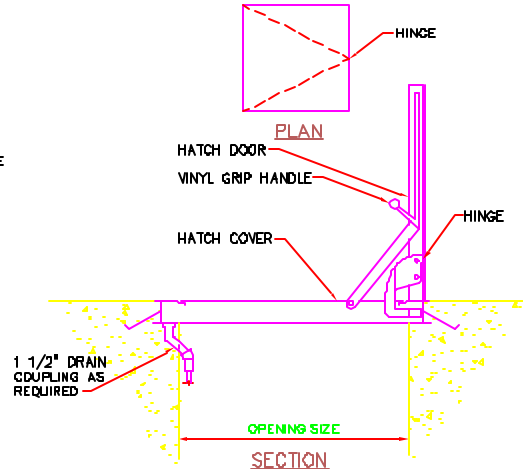
**STAIR RAILING END POST AT BOTTOM**  
NTS



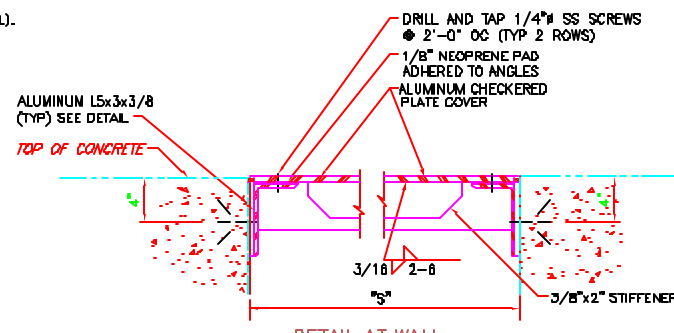
**GUARD RAIL**  
NTS



**SAFETY GATE**  
NTS

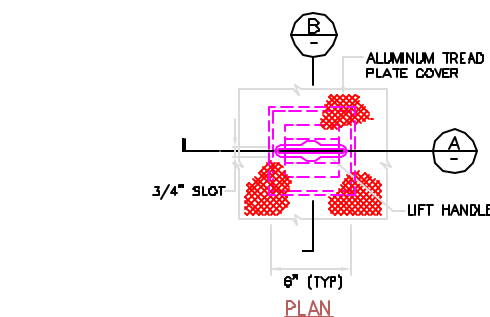


**ALUMINUM HATCH**  
NTS

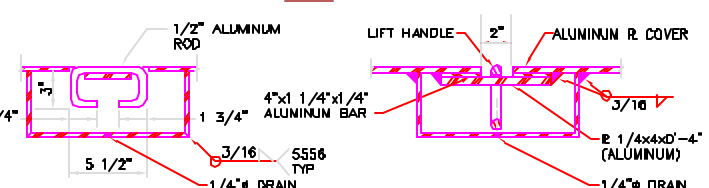


**DETAIL AT WALL**

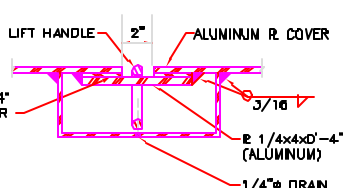
- NOTES:**
1. UNLESS OTHERWISE INDICATED, ALL CHECKERED PLATE SHALL BE ALUMINUM.
  2. ALL CHECKERED PLATES SHALL BE SCREWED IN PLACE AND SEALED WITH NEOPRENE GASKETS. THE INTENT IS TO PROVIDE A SUBSTANTIALLY GAS TIGHT COVERED SYSTEM TO ELIMINATE THE ESCAPE OF ODORS.
  3. ALL CHECKERED PLATES SHALL BE 3/8" THICK AND INCLUDE STIFFENERS AS SHOWN FOR ALL SPANS.
  4. POLYAMIDE EPOXY PAINT ON ALL ALUMINUM EMBEDDED IN OR IN CONTACT WITH CONCRETE.
  5. WIDTH OF ALUMINUM CHECKERED PLATE TO BE 3'-0" MAXIMUM OR THE MAXIMUM WIDTH TO LIMIT THE PLATE SECTION TO 80 POUNDS, WHICHEVER IS LESS. PLATE SECTIONS OVER STOP GATES SHALL BE AS DETAILED IN THIS DRAWING.
  6. PROVIDE STAINLESS STEEL HINGES FOR HINGED PLATES.



**PLAN**



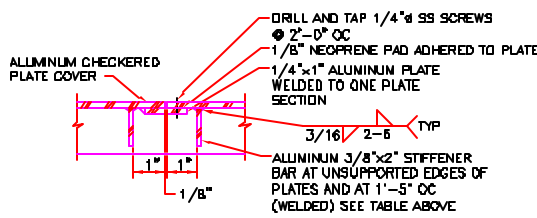
**DETAIL A**



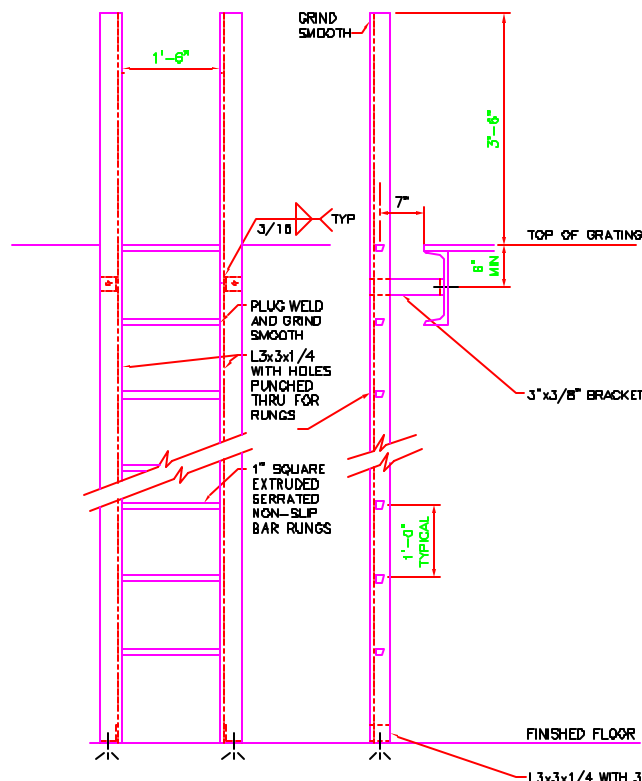
**DETAIL B**

**NOTE: PROVIDE 2 LIFT HANDLES FOR EACH PLATE SECTION**

**LIFT HANDLE**  
NTS

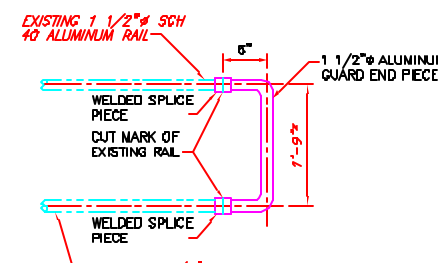


**DETAIL AT JOINT**  
**CHECKERED FLOOR PLATE**  
NTS

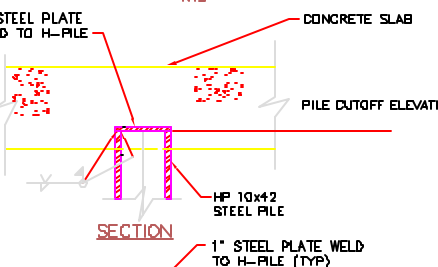


**STEEL LADDER**  
NTS

**NOTE: ALL STEEL SHALL BE HOT-DIPPED GALVANIZED**



**TYPICAL EXISTING CUT RAIL END PIECE**  
NTS



**PILE CONNECTION**  
NTS

NO.	REVISIONS	DATE	BY	CHKD.	APP'D.
1					
2					
3					
4					
5					
6					
7					
8					
9					
10					
11					
12					
13					
14					
15					
16					
17					
18					
19					
20					
21					
22					
23					
24					
25					
26					
27					
28					
29					
30					
31					
32					
33					
34					
35					
36					
37					
38					
39					
40					
41					
42					
43					
44					
45					
46					
47					
48					
49					
50					

**Wright-Pierce**  
99 Main Street  
Topsham, Maine USA 04086  
TEL (207) 725-8721 FAX (207) 725-8414