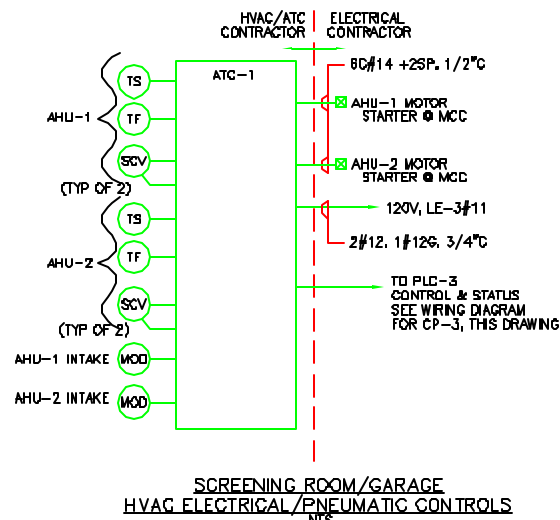
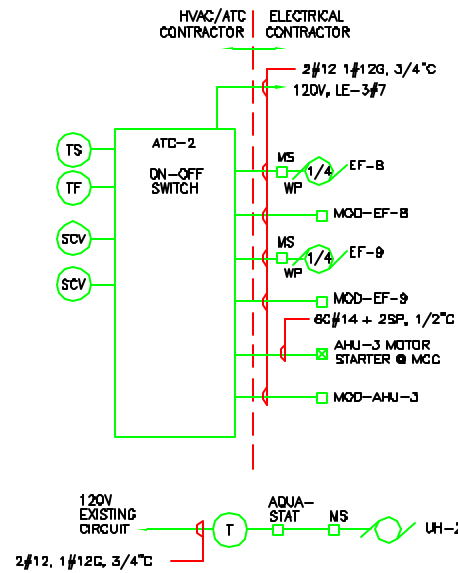


CHEMICAL STORAGE ROOM  
HVAC CONTROLS  
NTS

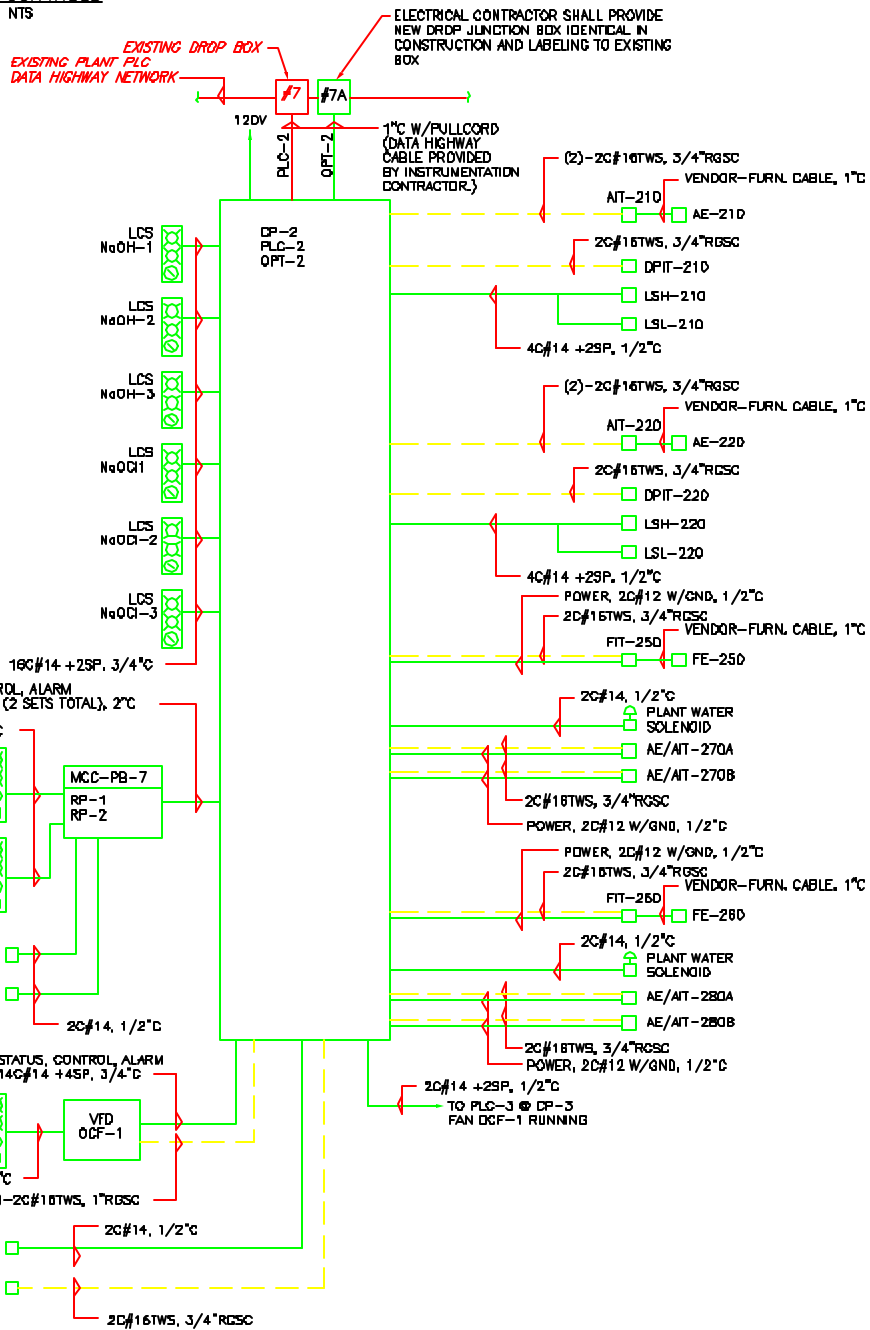


SCREENING ROOM/GARAGE  
HVAC ELECTRICAL/PNEUMATIC CONTROLS  
NTS

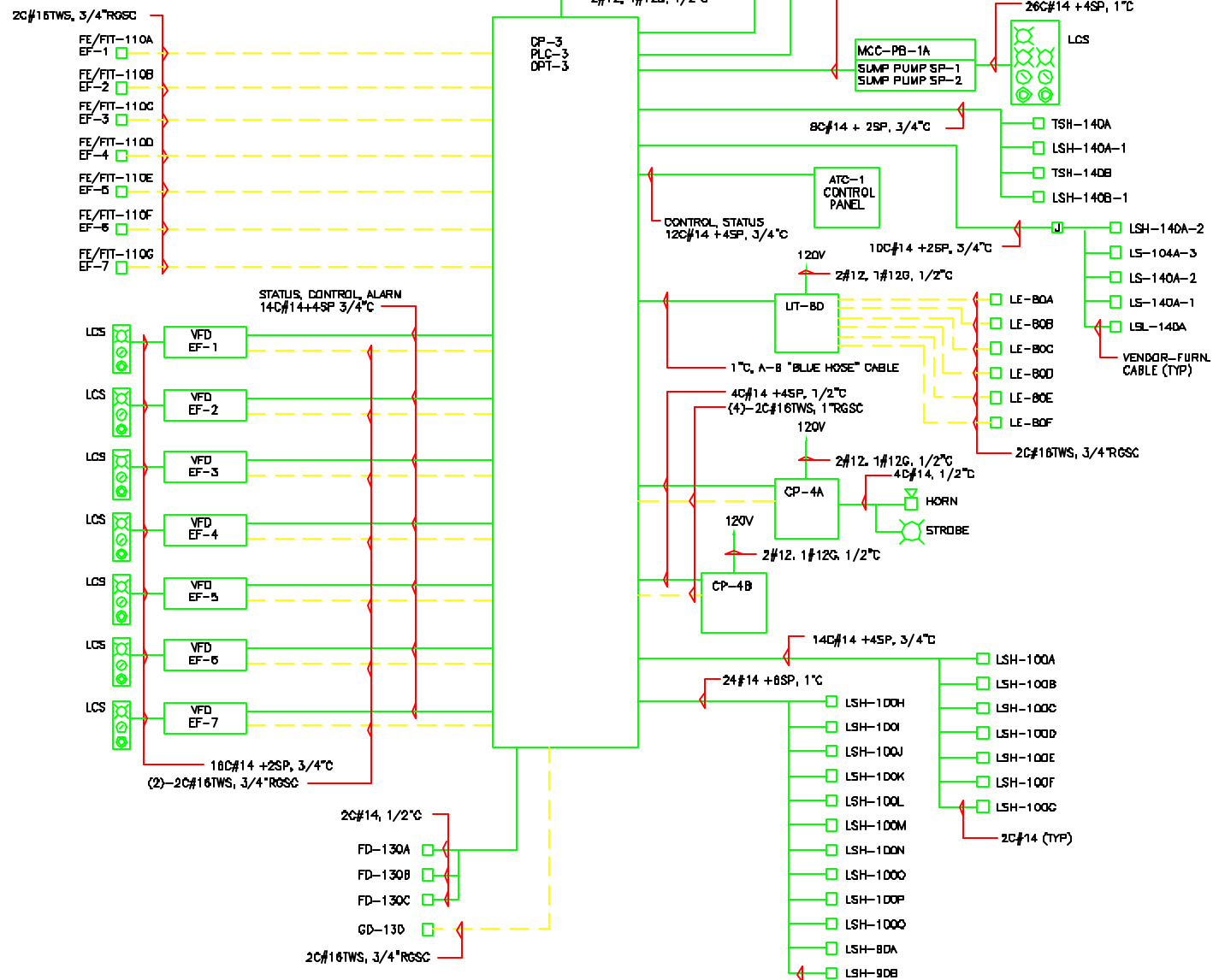


ODOR CONTROL ROOM  
HVAC CONTROLS  
NTS

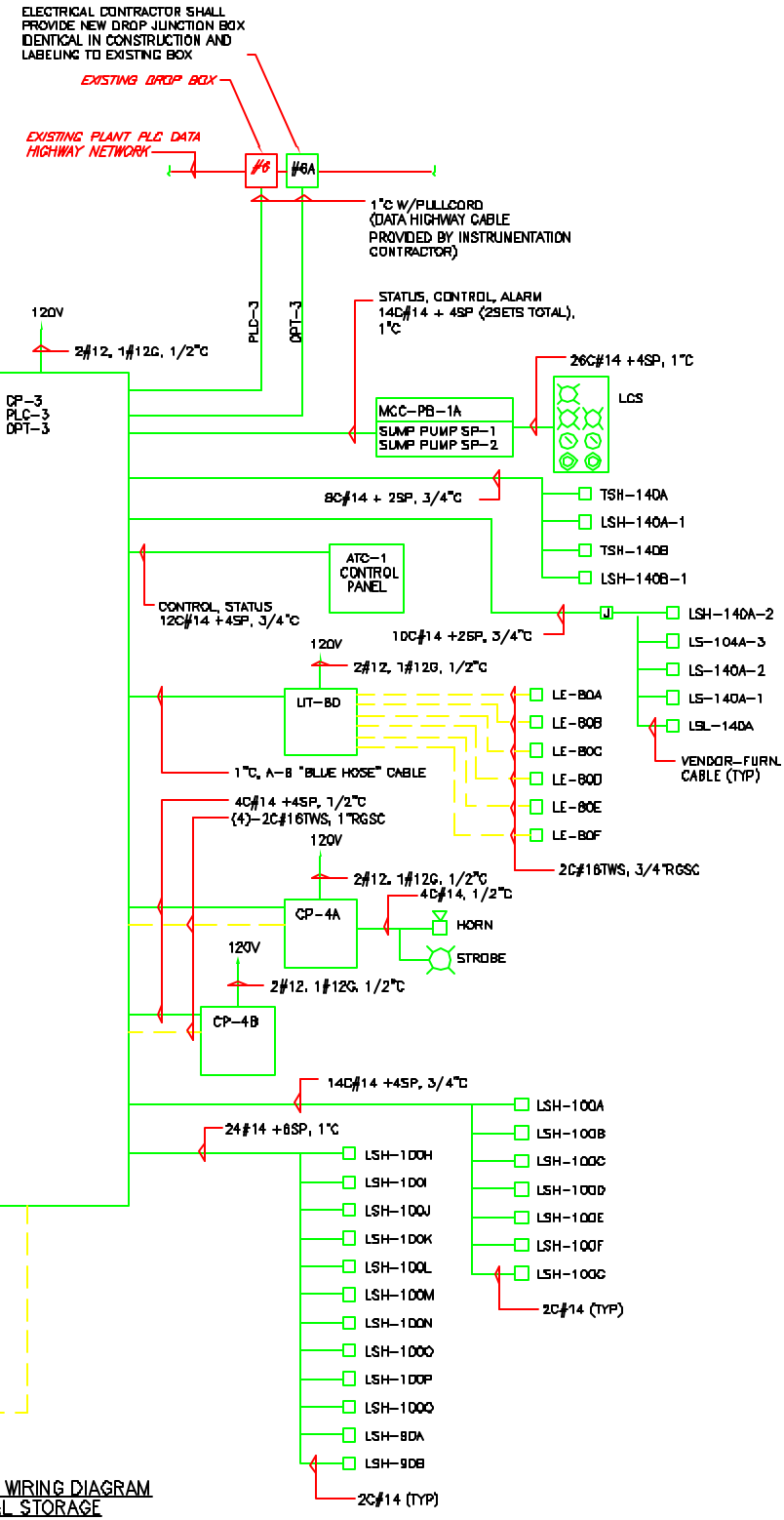
**ABBREVIATIONS**  
 AHU AIR HANDLING UNIT  
 EF EXHAUST FAN  
 MOD MOTOR OPERATED DAMPER  
 SCV STEAM CONTROL VALVE  
 TS FREEZE STAT  
 TF THERMISTAT  
 UH UNIT HEATER



CONTROL AND INSTRUMENTATION WIRING DIAGRAM  
ODOR CONTROL  
NTS



CONTROL AND INSTRUMENTATION WIRING DIAGRAM  
VENTILATION AND CHEMICAL STORAGE  
NTS



ELECTRICAL CONTRACTOR SHALL PROVIDE NEW DROP JUNCTION BOX IDENTICAL IN CONSTRUCTION AND LABELING TO EXISTING BOX  
 EXISTING DROP BOX  
 EXISTING PLANT PLC DATA HIGHWAY NETWORK

REVISIONS	DATE	APP'D	PROJECT NO.	DATE	SCALE



PROJECT NO.	DATE	SCALE



PORTLAND WATER DISTRICT  
 PORTLAND, MAINE  
 PRIMARY SEDIMENTATION BASINS  
 UPGRADE WITH ODOR CONTROL FACILITIES  
 CONTROL AND INSTRUMENTATION DIAGRAMS  
 DWG E-15  
 78 OF 79