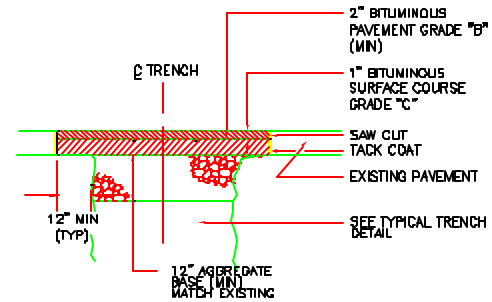
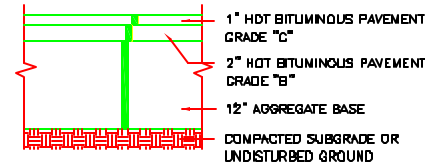


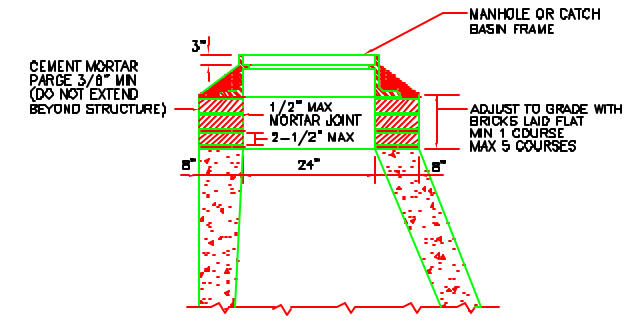
PIPE CROSSING DETAIL  
NTS



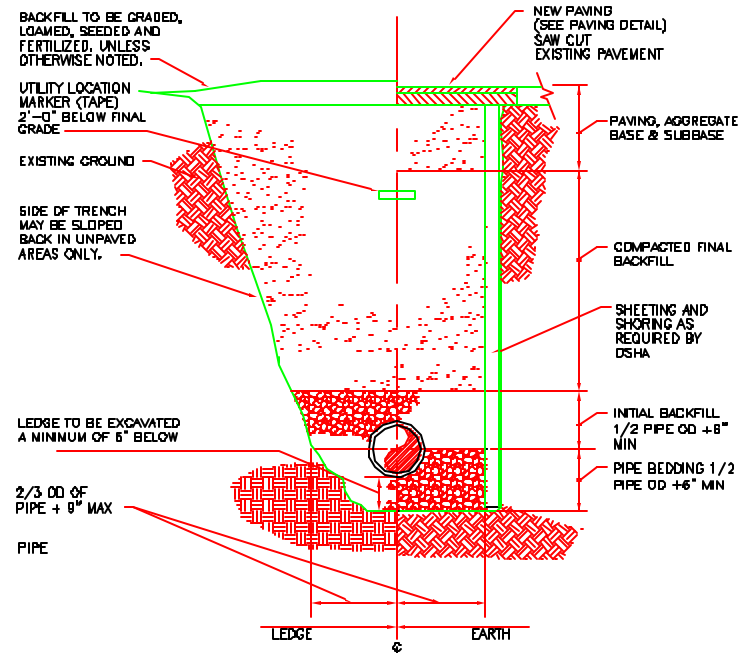
TRENCH PATCH - DRIVES  
NTS



ROADWAY PAVEMENT  
NTS

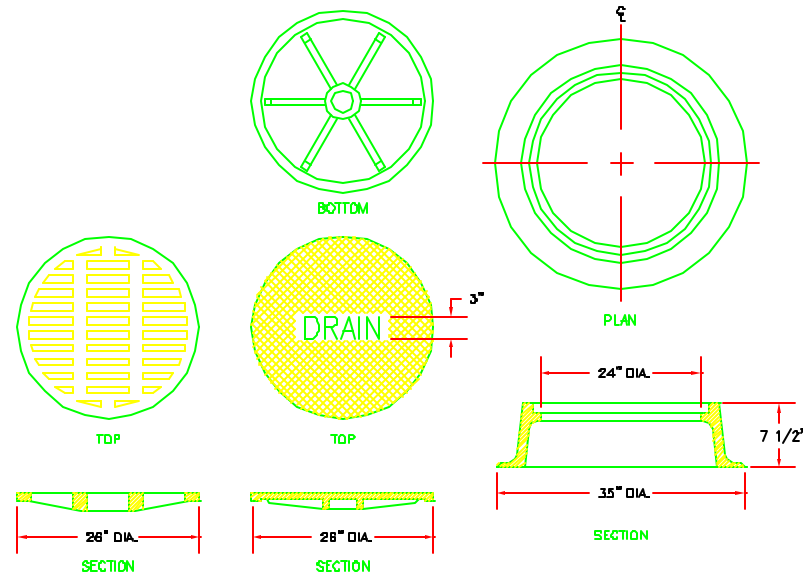


CATCH BASIN/ DRAIN MANHOLE  
FRAME INSTALLATION  
NTS

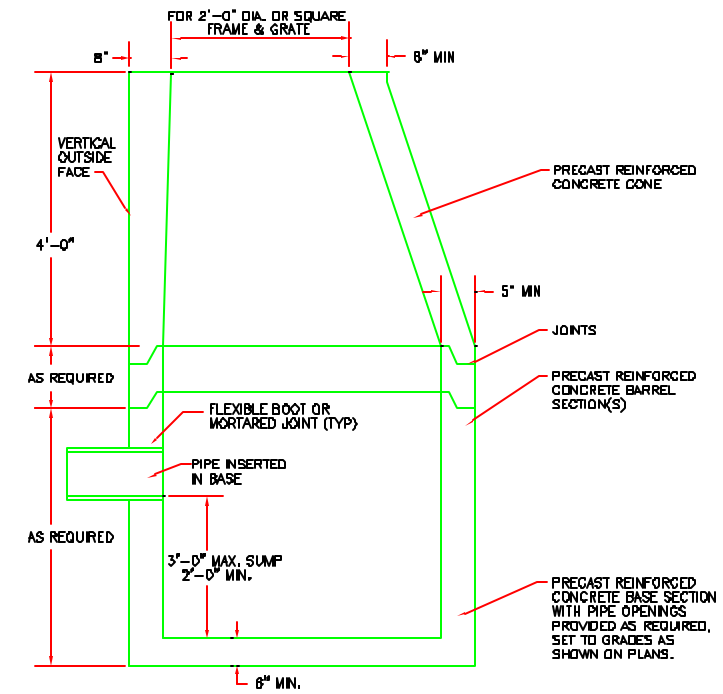


NOTES: 1. ALL EXCAVATION MUST MEET OSHA STANDARDS  
2. SEE SPECIFICATIONS FOR BEDDING AND BACKFILL REQUIREMENTS.

PIPE TRENCH DETAIL  
NTS



CATCH BASIN & DRAIN MANHOLE  
STANDARD COVER AND FRAME  
NTS



4 FT CATCH BASIN  
NTS

CONTRACTOR TO PROVIDE HEAVY DUTY TEE  
HANDLE, LENGTH AS REQUIRED

NO.	DATE	REVISIONS	APPROVED	PROJECT PRINTS
1	4-4-07	ISSUED FOR BIDDING		4-4-07
2	3-4-07	ISSUED FOR BIDDING		3-4-07
3		DATE LOCATED		
4		DATE REVISION		
5		DATE REVISION		
6		DATE REVISION		
7		DATE REVISION		
8		DATE REVISION		
9		DATE REVISION		
10		DATE REVISION		

DRAWN BY: JLN	CHECKED BY: JLN	DATE: 3-14-07
APPROVED BY: JLN	DATE: 3-14-07	
BOOK NO.: 70503A	SCALE: AS SHOWN	

PROJECT NO.: 04006	DATE: 04-03-07
PROJECT NAME: PORTLAND WATER DISTRICT PORTLAND, MAINE PRIMARY SEDIMENTATION BASINS UPGRADE WITH ODOR CONTROL FACILITIES	

**Wright-Pierce**  
99 Main Street, Topsham, Maine USA 04086  
TEL (207) 725-8721 FAX (207) 725-8414

PORTLAND WATER DISTRICT  
PORTLAND, MAINE  
PRIMARY SEDIMENTATION BASINS  
UPGRADE WITH ODOR CONTROL FACILITIES