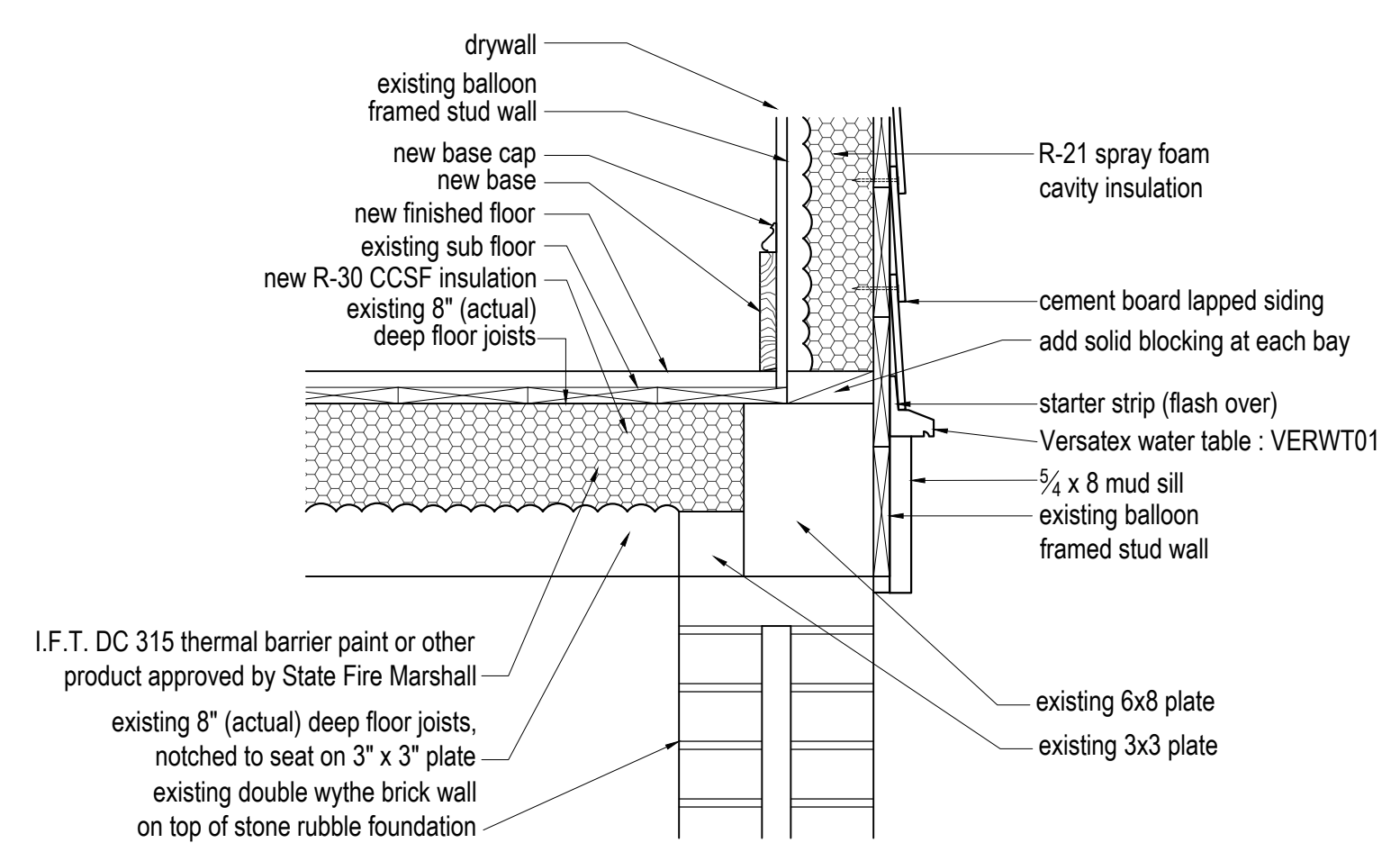
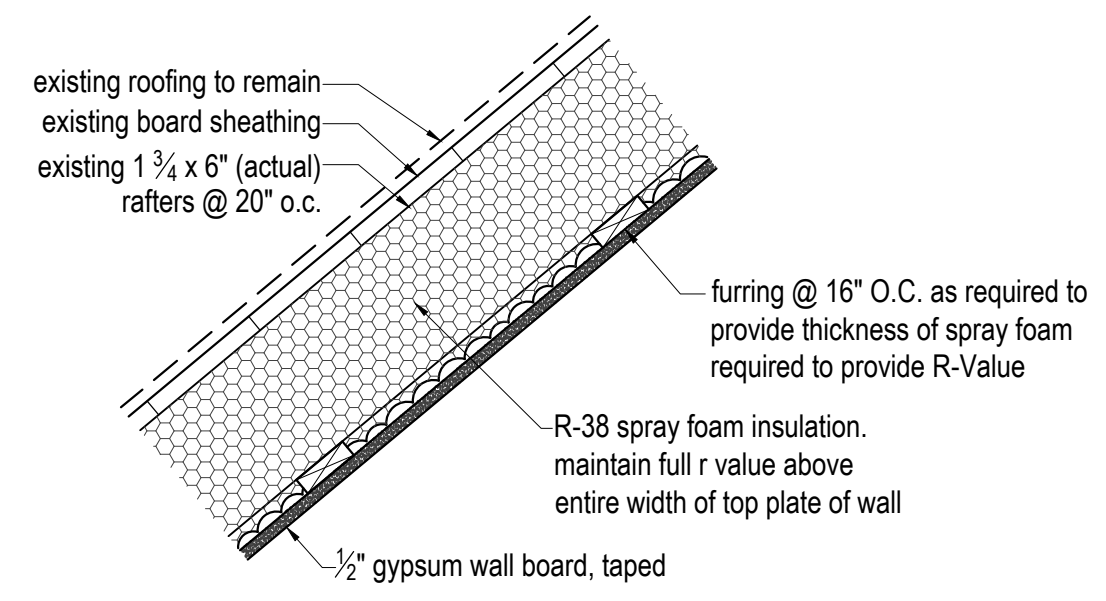


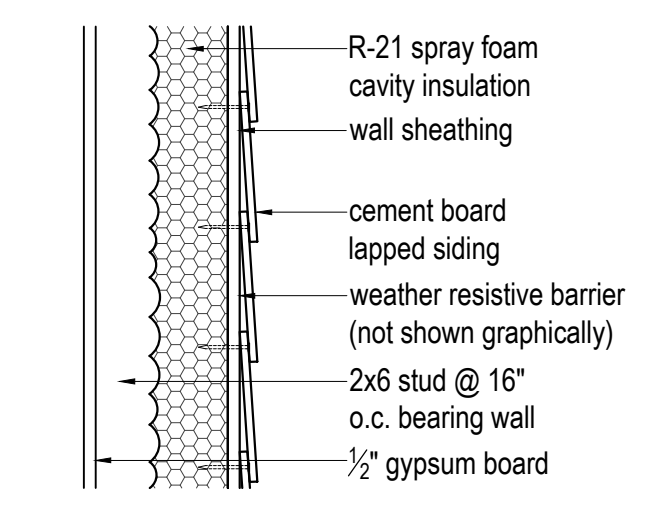
D Roof at Roof Deck (section view)
1-1/2" = 1'-0"



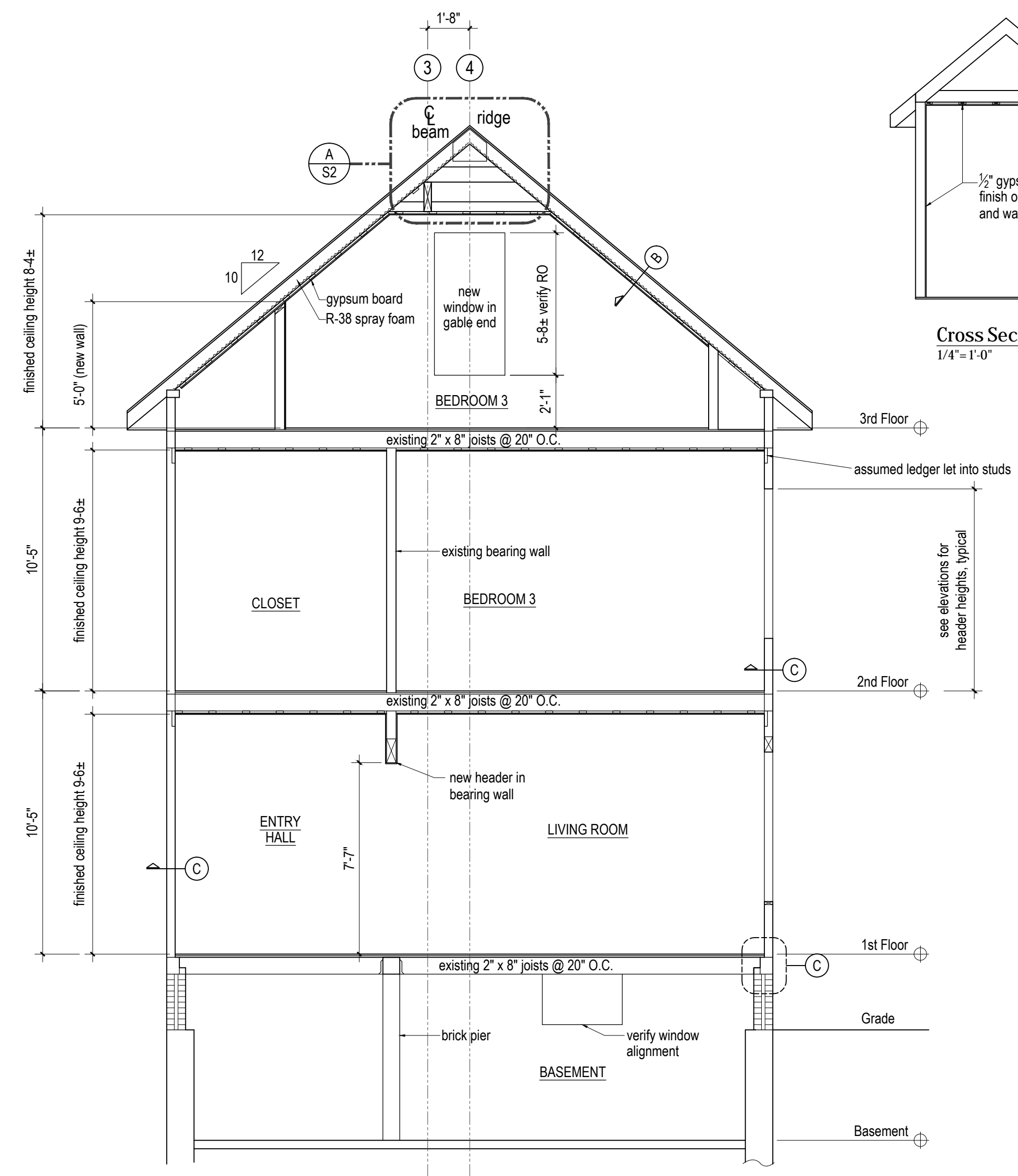
C Insulation at 1st Floor sill and typical exterior wall (section view)
1-1/2" = 1'-0"



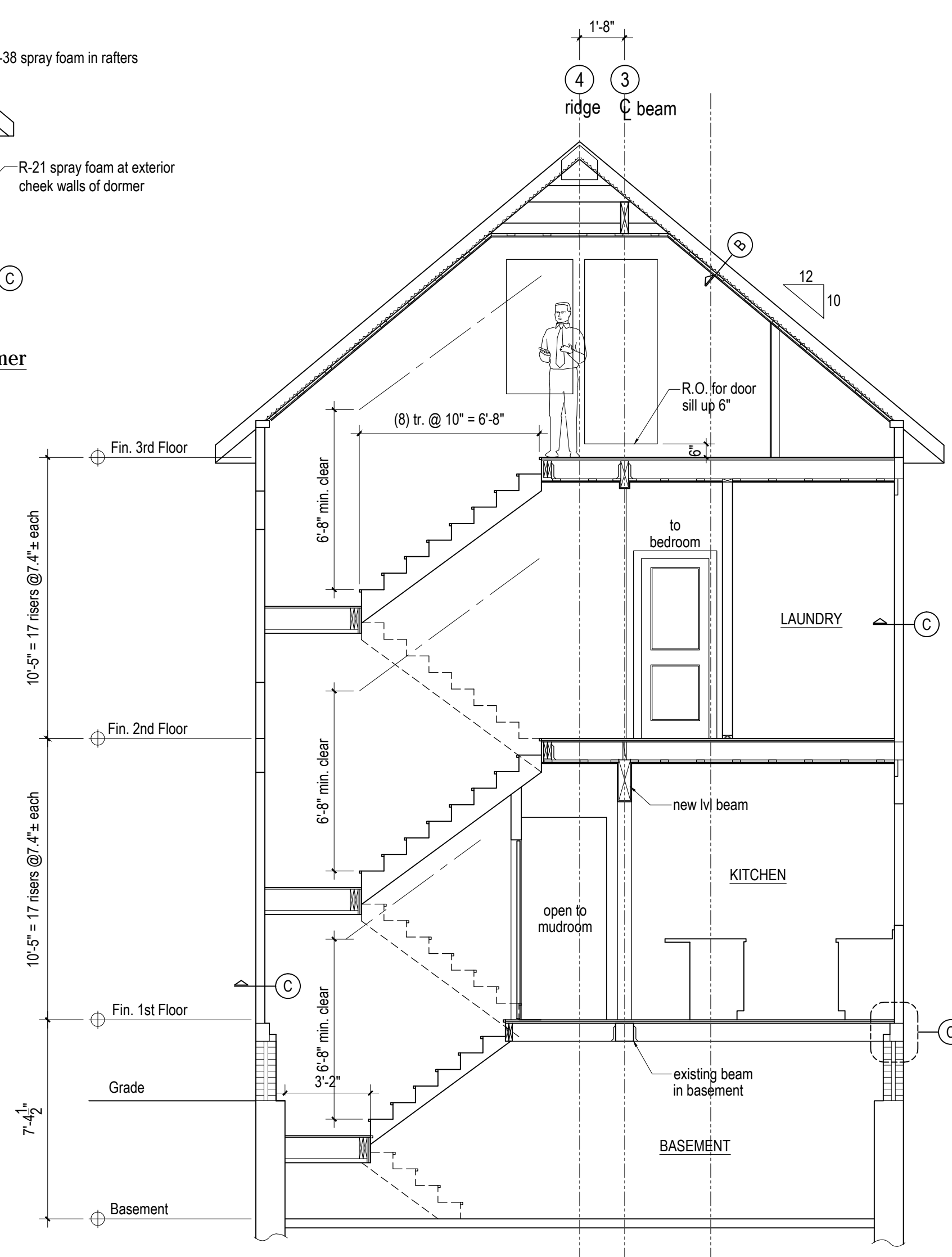
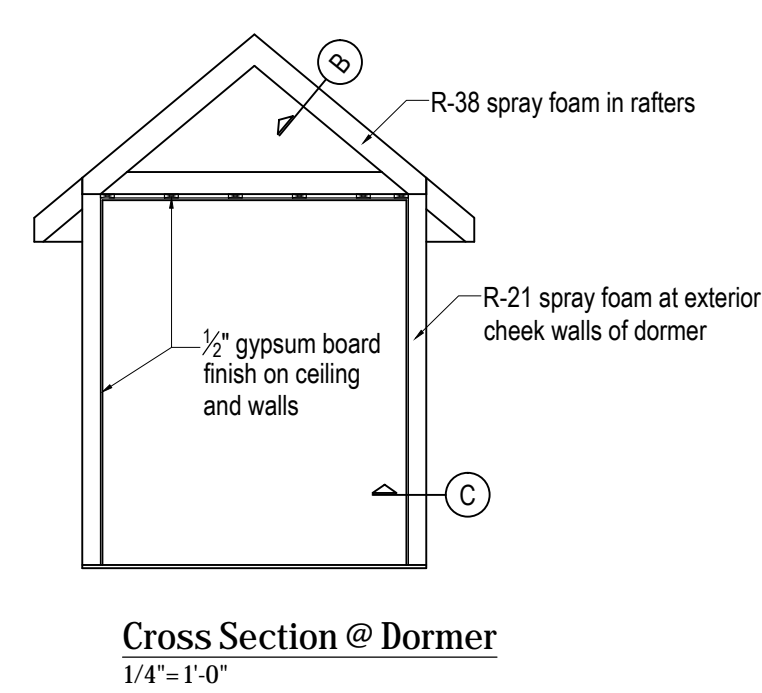
B Roof System (section view)
1-1/2" = 1'-0"



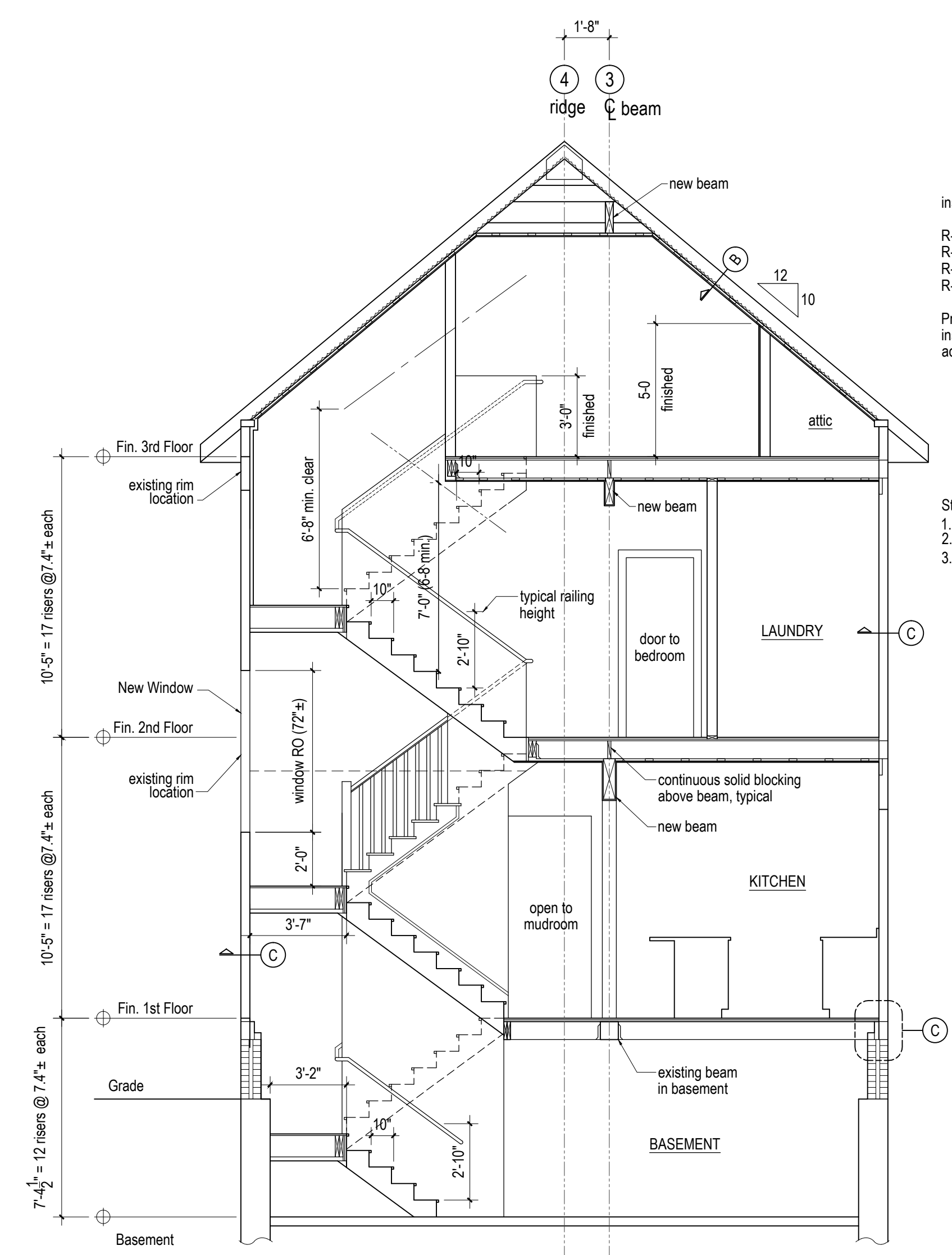
A New Exterior Wall System
1-1/2" = 1'-0"



3 Cross Section
1/4" = 1'-0"



2 Cross Section at Stair
1/4" = 1'-0"



1 Cross Section at Stair
1/4" = 1'-0"

insulation r values:
R-38 Roof
R-21 Walls
R-30 1st floor above basement
R-30 2nd floor above back porch
Provide closed cell spray foam insulation to thickness required to achieve R values

Stair Notes:
1. max. riser height: 7 3/4"
2. min. tread depth: 10"
3. Handrail: 1 1/2" diameter, 34" above leading edge of tread

