

# Border Lite

Cat. No. BL

Cat. No. BL/R

Cat. No. BLG9

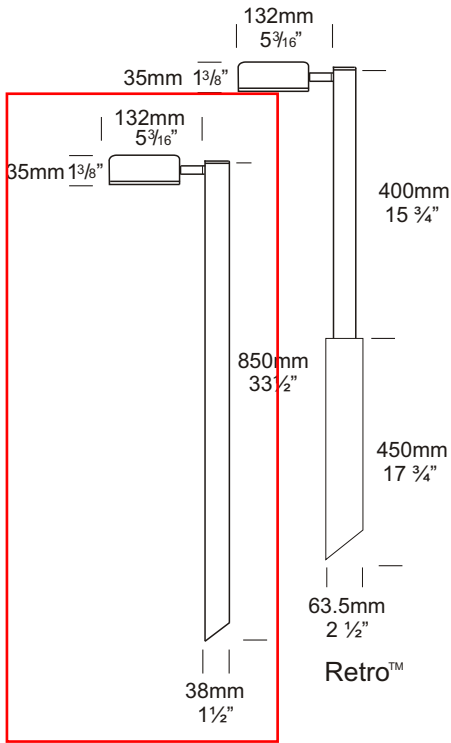


The Border Lite is ideal for path lighting giving a wide spread of light with no upward projection. This luminaire has a fully adjustable arm allowing 360 degree rotation and 0 - 90 degree elevation.

The Retro™, which is a mains option, avoids the need to bury a transformer. The 110/240-12 volt electronic transformer is built into the pole and is a double insulated safety isolating transformer, this changes the luminaire to an IP56 rating.

This luminaire is equipped with Hunza's Anti-Syphon™ (not Retro luminaires) system which has been designed to counter the problem of wicking (siphoning) of water through the supply cable into the lamp housing, causing water to condense and dramatically shorten the life of the lamp, lamp holder and luminaire.

A G9 version of this luminaire is also available for line voltage lamps.



## Ordering Information

### Luminaire Type

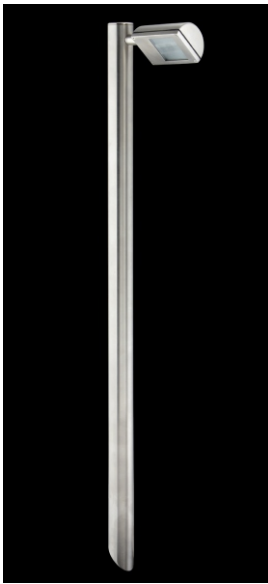
BL - Border Lite

### Material/Finish

BK - Black  
 BZ - Bronze  
 GN - Green  
 STAR - Silver Star  
 WH - White  
 WB - Birch  
 DG - Dark Grey  
 OG - Olive Green  
 RG - Beige  
 PR - Primrose  
 SBZ - Solid Bronze  
 SS - 316 Stainless Steel

### Accessories

CJK150 - Cable Joint Kit  
 LENSBLC - Clear Lens  
 /R - Retro™ Transformer  
 110/240-12 volt  
 G9 - G9 option  
 For LED refer to page 10.4



Ordering Example: BL BZ - Border Lite in Bronze  
 BL/R BK - Border Lite Retro™ Black  
 BLTG9 BK - Border Lite Twin G9 in Black  
 (Accessories ordered separately)

**HUNZA**™ PURE  
 OUTDOOR  
 LIGHTING

**HUNZA FACTORY**  
 130 Felton Mathew Ave  
 Glen Innes  
 Auckland 1072  
 New Zealand

Ph: 64-9-528 9471  
 Fax: 64-9-528 9361  
 hunza@hunza.co.nz  
 www.hunza.co.nz

**INTERNATIONAL CONTACTS:**  
[www.hunza.co.nz/contacts.php](http://www.hunza.co.nz/contacts.php)

Specifications may change without notice.  
 Manufactured in New Zealand.  
 © 2011 Hunza Holdings Ltd.

Ver 1.4

## Luminaire Construction

### Head:

Cast from either 316 Stainless Steel, LG2 Bronze or virgin high corrosion resistant CC401 low copper aluminium alloy, with chromate substrate and high UV resistant polyester powder coat.

**Colours** Black, Bronze, Green, Silver Star, White, Birch, Dark Green, Olive Green, Beige, Primrose.

**Poles:** Aluminium, Copper, 316 Stainless Steel 38mm (1½") x 850mm (33½") tube.

**Retro™:** Pole - 38mm (1½") x 410mm (16") tube.

**Transformer Pole:** 63.5mm (2½") x 440mm (17½").

## Mounting

Pole 850mm (33½") directly mounted into the earth. Retro™ - set in concrete.

## Features

### Cable:

Water resistant rubber with HUNZA™ Anti-Syphon™ water barrier system.

### Lens:

3mm Frosted tempered shatter resistant glass with a Lifetime Warranty.

### Gaskets:

Silicone, 150°C (302°F).

### Lamp Holder:

G4 - 350°C (662°F) ceramic multi contact lamp holder with 250°C (480°F) teflon cables.

G9 - 280°C (536°F) ceramic lamp holder with 250°C (480°F) teflon cables.

### Accessories:

Cable Joint Kit (Cat. CJK150). Not approved for USA /Canada.

Clear Lens (Cat. LENSBLC).

Retro™ transformer 110/240-12 volt (Cat. /R) IP56.

G9 Option (Cat. G9).

*Note: The Hunza Super Spike is not compatible with the 38mm pole.*

**Swivels:** Aluminium and Solid Bronze luminaires - 360° rotation and 0 - 90° elevation, solid brass with anti rust spring.

**Stainless Steel luminaires** - 360° rotation and 0 - 90° elevation, full stainless steel construction.

## Standards

IP56/IP66  UL1838

## Luminaire Weight

12 volt:

Alum .800kg (1lb 8oz)

SS 1.6kg (3lb 8oz)

BRZ 1.7kg (3lb 12oz)

Retro™:

Alum 2.00kg (4lb 6oz)

SS 3.15kg (6lb 15oz)

BRZ 3.4kg (7lb 8oz)

## Power Supply

HUNZA™ Inground or Wall Mount Transformer: not included.

### RETRO™ IP56

HUNZA™ 110/240-12 volt ac potted electronic transformer is built into the pole. Dimmable with a suitable Leadingedge dimmer. \*Note see page 9.3 for details.

### USA and Canada:

HUNZA™ Wall Mount Transformer: not included.

### Luminaire: supplied with

G4 Bi - Pin 20 watt lamp max.

G9 - 25 watt lamp max.

**LED** - Refer sheet no. 10.4

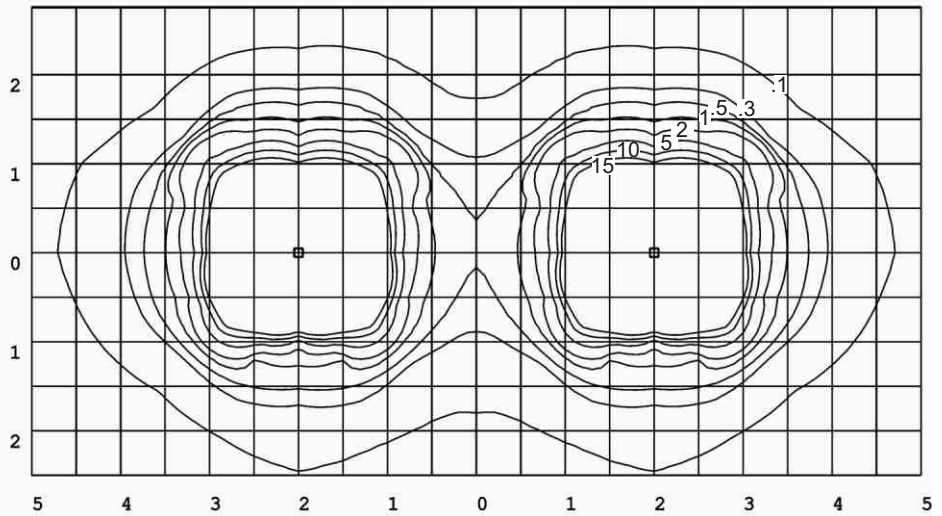
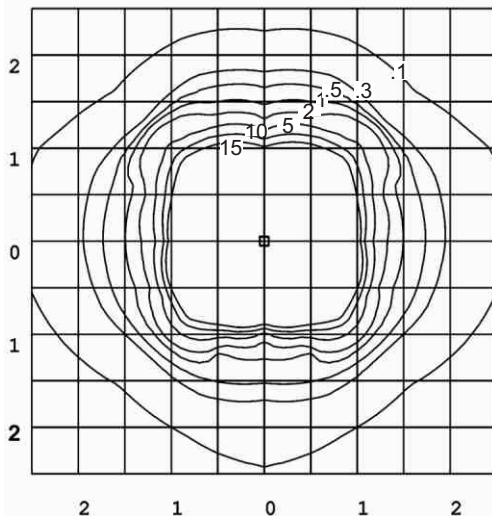
### USA and Canada:

**G4 Bi - Pin 20 watt lamp max.**

G9 - 25 watt lamp max.

**LED** - Refer sheet no. 10.4

## Border Lite G4 20 watt lamp lens height 600mm (24")



**HUNZA™** PURE  
OUTDOOR  
LIGHTING

**HUNZA FACTORY**  
130 Felton Mathew Ave  
Glen Innes  
Auckland 1072  
New Zealand

Ph: 64-9-528 9471  
Fax: 64-9-528 9361  
hunza@hunza.co.nz  
www.hunza.co.nz

**INTERNATIONAL CONTACTS:**  
www.hunza.co.nz/contacts.php

Specifications may change without notice.  
Manufactured in New Zealand.  
© 2011 Hunza Holdings Ltd.

Ver 1.4