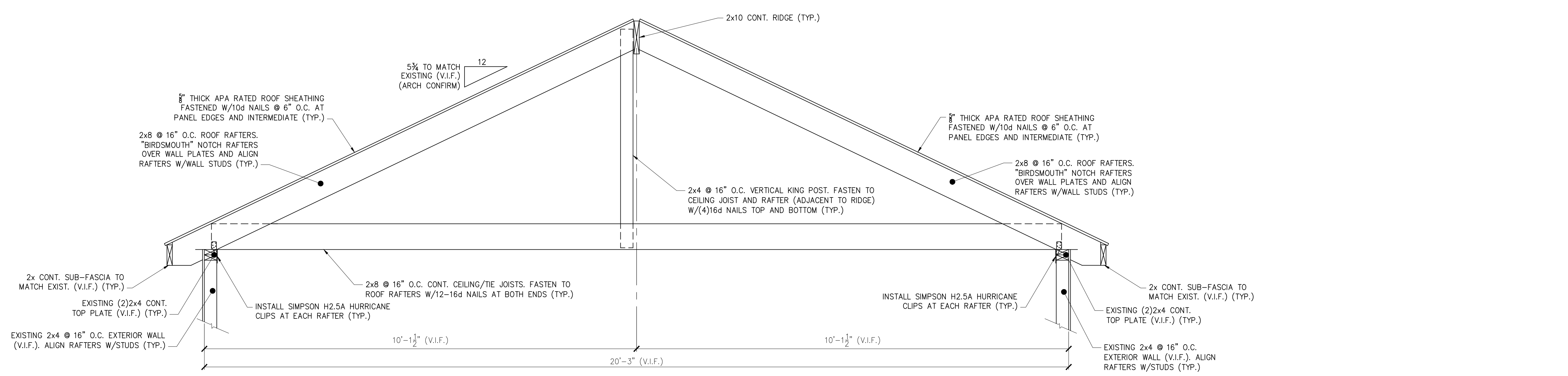
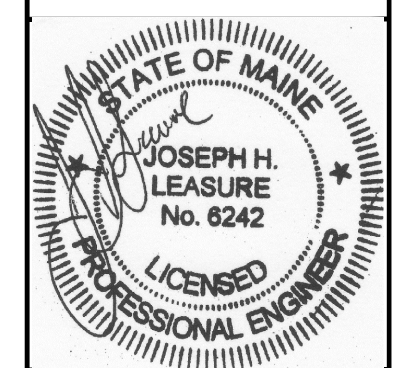


SECTION 1  
3/4" = 1'-0" S2.2/S2.5 S2.2/S2.5



SECTION 2  
3/4" = 1'-0" S2.2/S2.5

L & L STRUCTURAL ENGINEERING SERVICES, INC.  
SIX Q. STREET  
SOUTH PORTLAND, MAINE 04106  
PHONE: (207) 767-4830  
FAX: (207) 799-5432  
EMAIL: JLEASURE@LL-ENG.COM



designed by: JHL	checked by: JHL	date: 06/09/2017	plot date: 06/29/2017	project #: 2017-076
rev.	date	description	approved	
A	06/09/17	PRICING & PERMIT ONLY	JHL	
0	06/15/17	FOR CONSTRUCTION	JHL	
1	06/29/17	REVISED FND/FRAMING	JHL	

BUILDING LOCATED AT  
39 MUNJOY STREET  
PORTLAND, MAINE

S3.1

THESE DRAWINGS HAVE BEEN DEVELOPED BY L&L STRUCTURAL ENGINEERING SERVICES, INC. FOR THE TITLED SET ONLY. THE DRAWINGS ARE THE SOLE PROPERTY OF L&L ENGINEERING SERVICES, INC. AND THEY SHALL NOT BE USED, LENT, COPIED OR ALTERED WITHOUT THE WRITTEN CONSENT OF L&L STRUCTURAL ENGINEERING SERVICES, INC.

FRAMING SECTIONS AND DETAILS