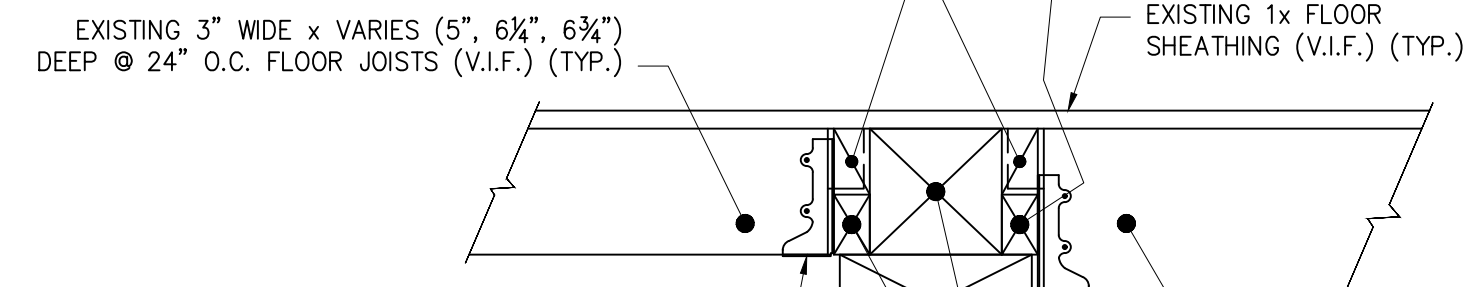
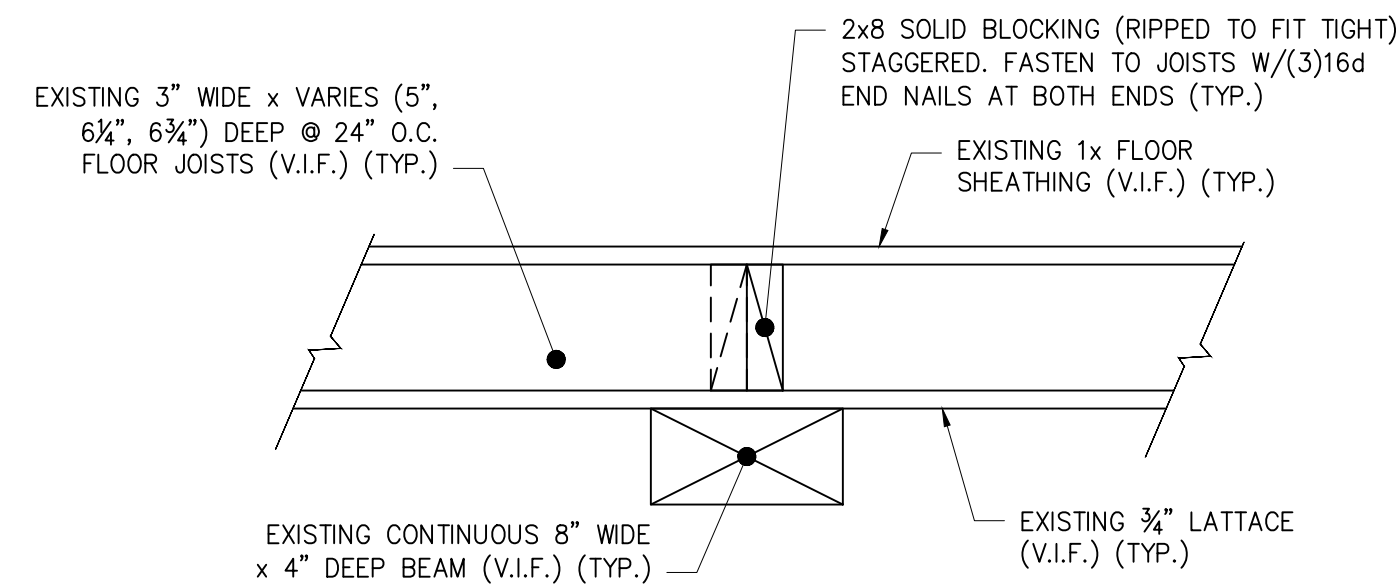


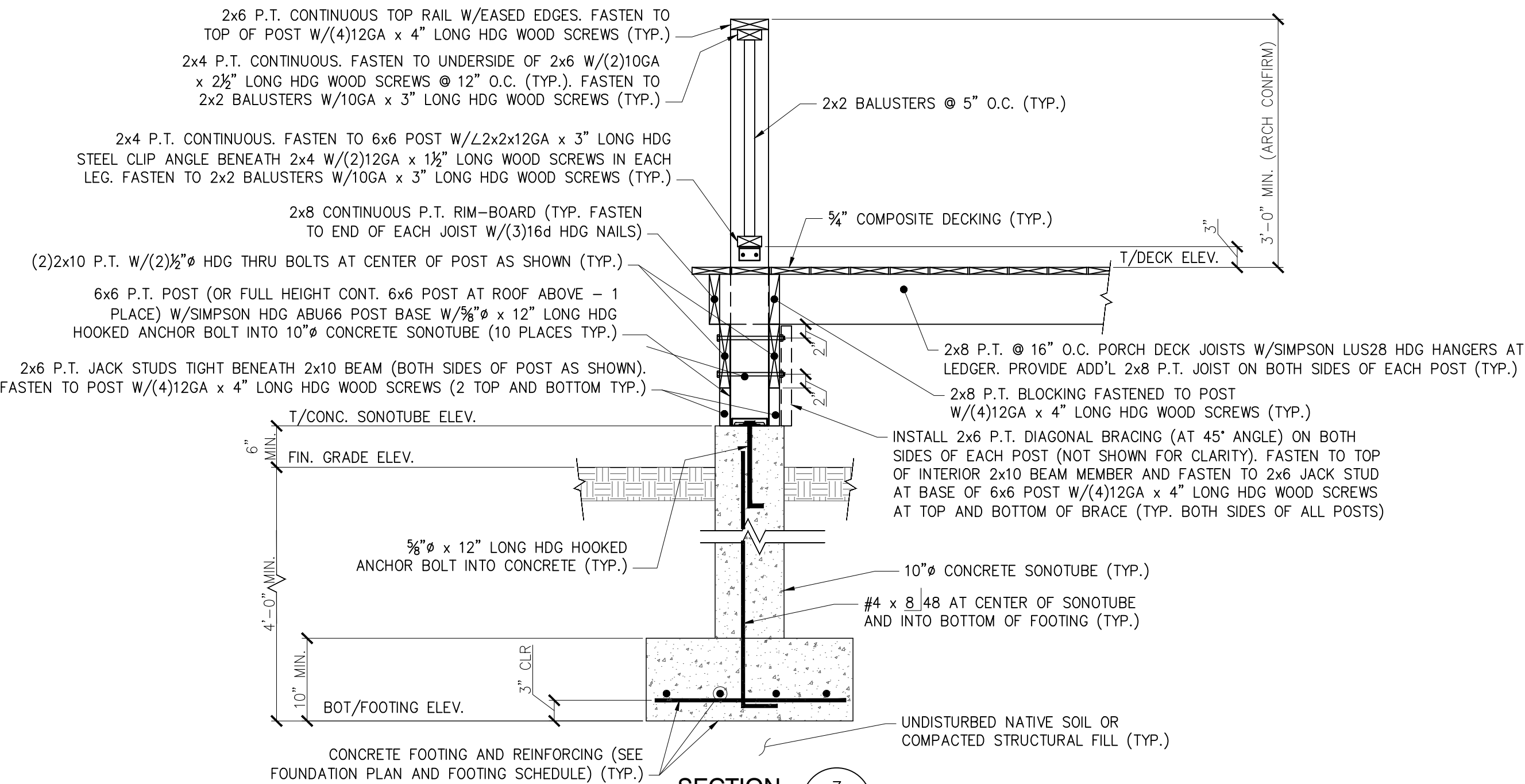
ADD'L 2x SOLID BLOCKING ON TOP OF (E) LEDGER x 1'-0" LONG MIN. FASTEN TO EXISTING 6x6 BEAM W/(2)12GA x 4" LONG WOOD SCREWS AT EACH JOIST (ONE EACH SIDE OF EACH JOIST) (TYP.)



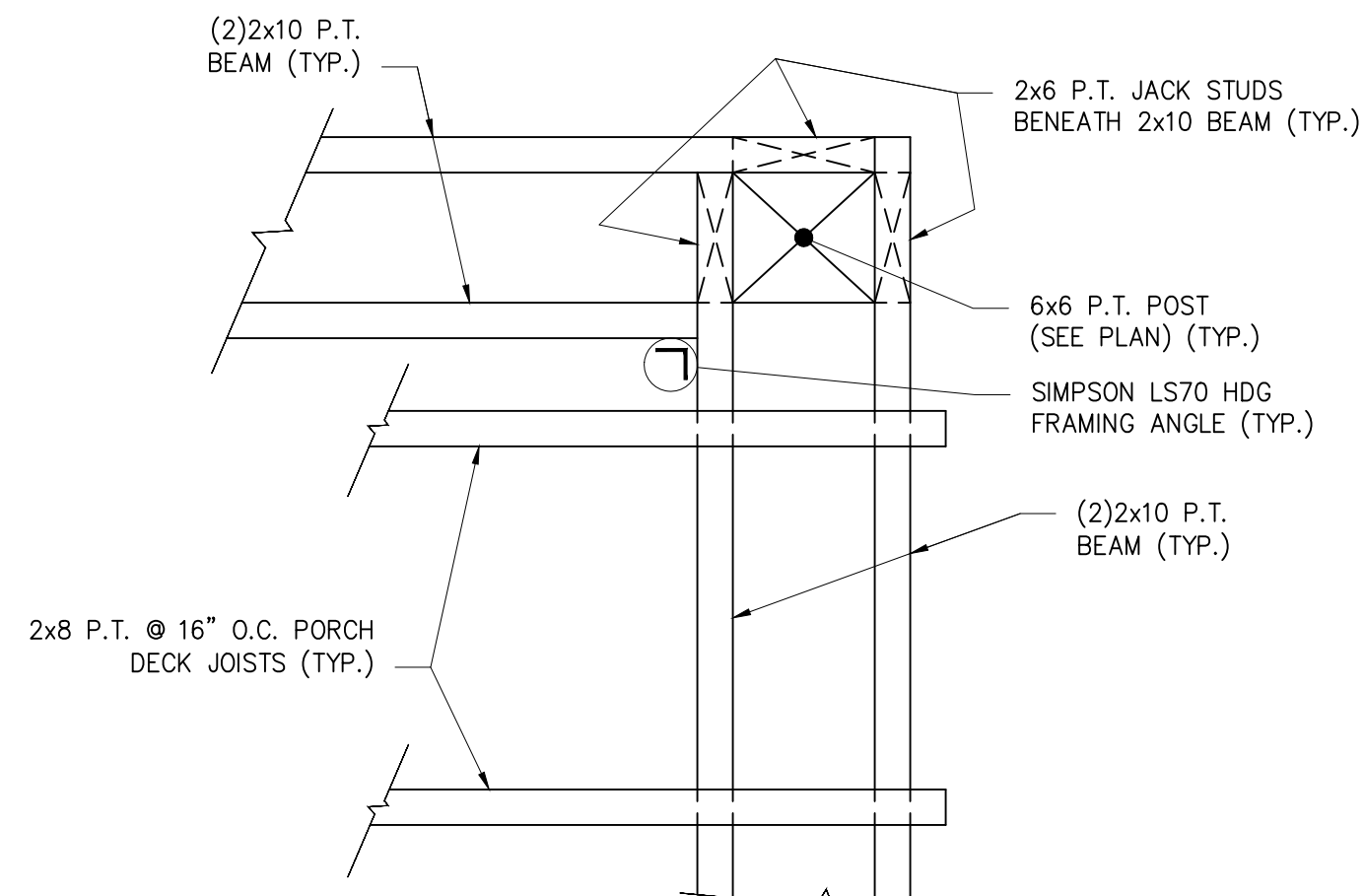
SECTION 1  
1 1/2' = 1'-0" S2.1



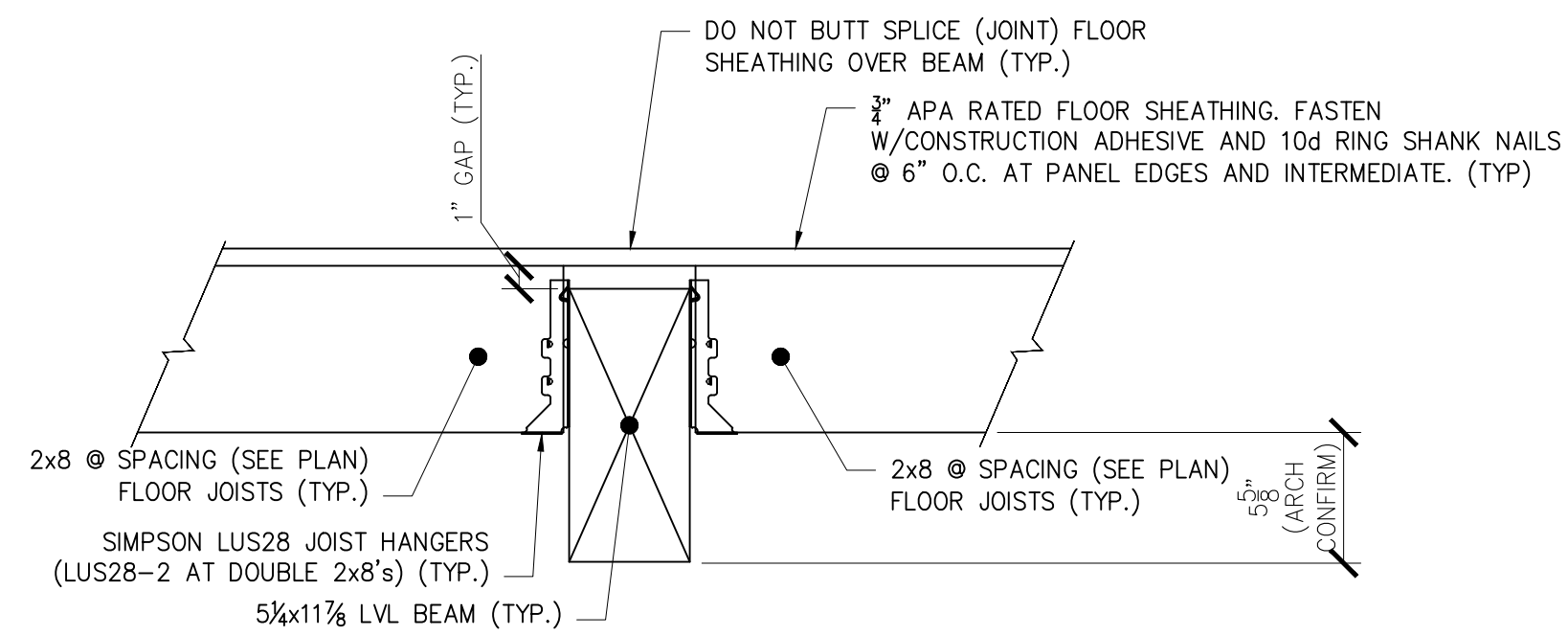
SECTION 2  
1 1/2' = 1'-0" S2.1



SECTION 3  
3/4' = 1'-0" S2.1

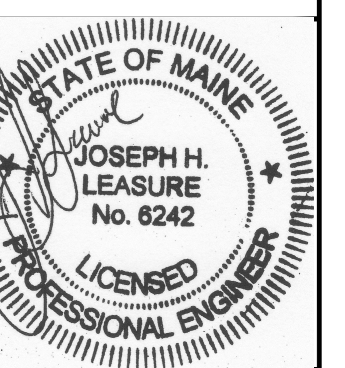


DETAIL A  
1 1/2' = 1'-0" S2.0



SECTION 4  
1 1/2' = 1'-0" S2.1

**L & L STRUCTURAL ENGINEERING SERVICES, INC.**  
 SIX O. STREET  
 SOUTH PORTLAND, MAINE 04106  
 PHONE: (207) 767-4830  
 FAX: (207) 799-5432  
 EMAIL: JLEASURE@L-L-ENG.COM



| rev. | date       | description           | designed by | checked by | scale | date | plot date | project # |
|------|------------|-----------------------|-------------|------------|-------|------|-----------|-----------|
| A    | 06/09/17   | PRECING & PERMIT ONLY | JHL         | JHL        |       |      |           |           |
| 0    | 06/15/17   | FOR CONSTRUCTION      | JHL         | JHL        |       |      |           |           |
| 1    | 06/29/17   | REVISED FND/FRAMING   | JHL         | JHL        |       |      |           |           |
|      | 06/09/2017 |                       |             |            |       |      |           |           |
|      | 06/29/2017 |                       |             |            |       |      |           |           |
|      |            |                       |             |            |       |      |           | 2017-076  |

**BUILDING LOCATED AT**  
 39 MUNJOY STREET  
 PORTLAND, MAINE  
 EXT. DECK FOUND/FRAMING & FRAMING SECTIONS & DETS

**S3.0**

THESE DRAWINGS HAVE BEEN DEVELOPED BY L&L STRUCTURAL ENGINEERING SERVICES, INC. FOR THE TITLED SET ONLY. THE DRAWINGS ARE THE SOLE PROPERTY OF L&L ENGINEERING SERVICES, INC. AND THEY SHALL NOT BE USED, LENT, COPIED OR ALTERED WITHOUT THE WRITTEN CONSENT OF L&L STRUCTURAL ENGINEERING SERVICES, INC.