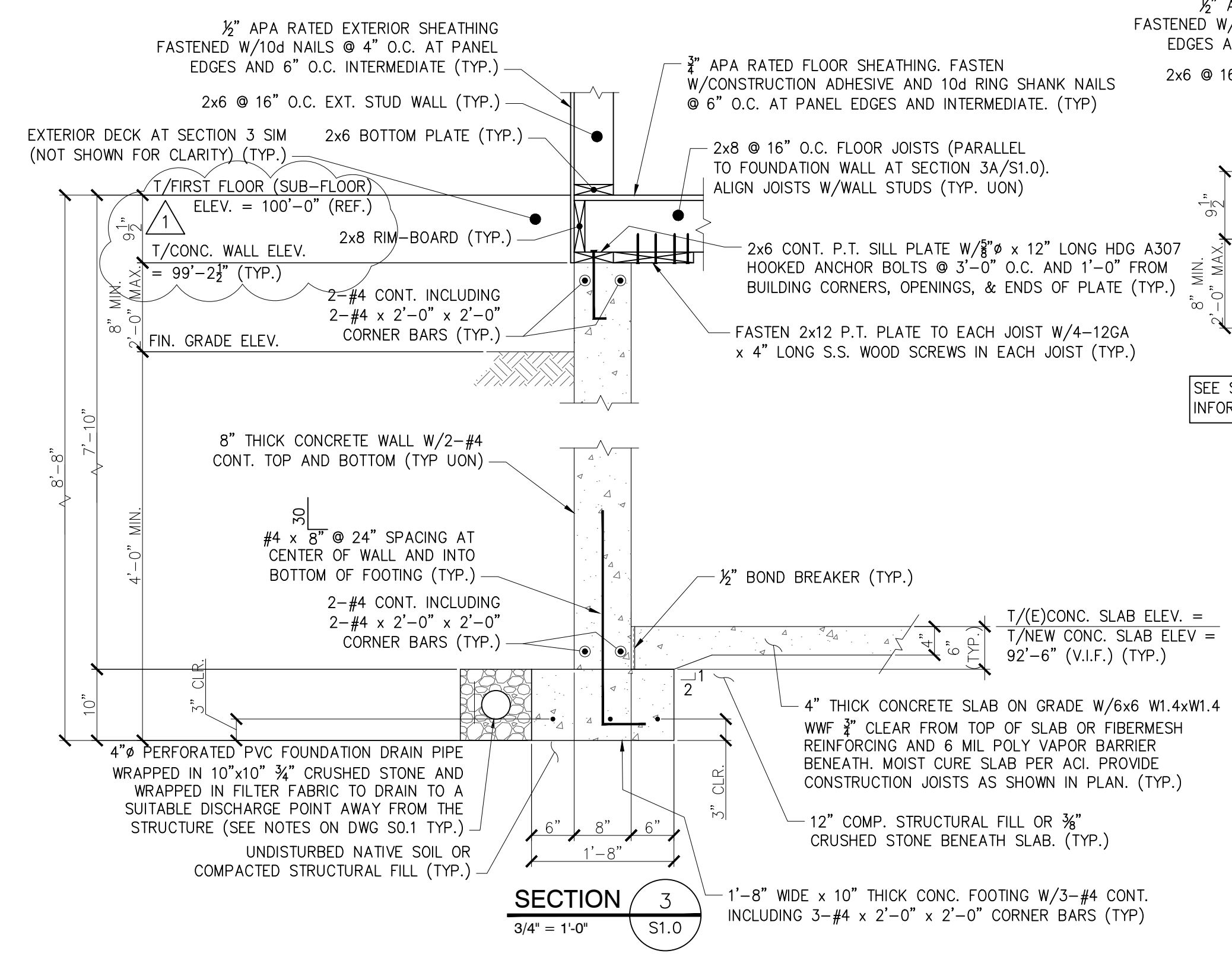
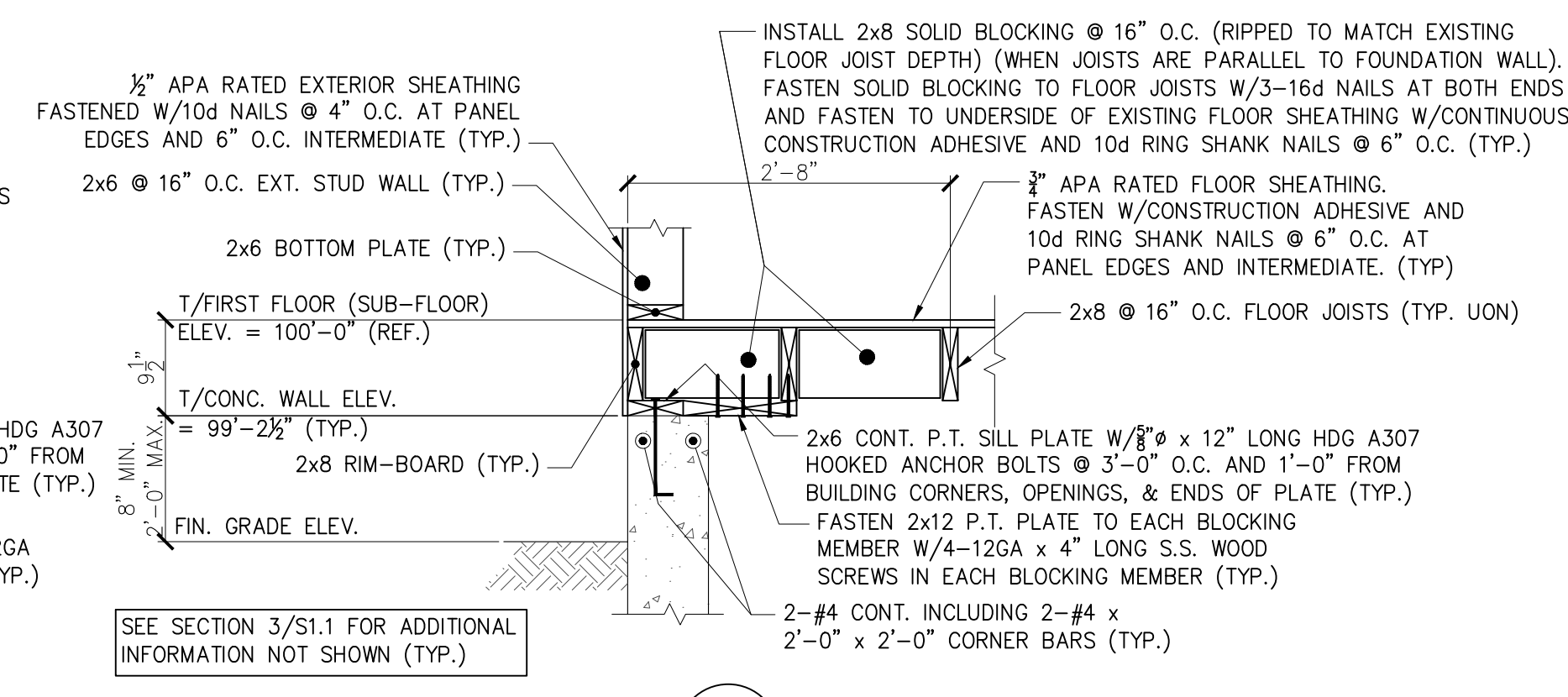


SECTION 1 AT EXISTING FLOOR TO REMAIN
3/4" = 1'-0"



SECTION 3 AT NEW FLOOR
3/4" = 1'-0"



SECTION 3A AT EXISTING FLOOR TO REMAIN
3/4" = 1'-0"

SECTION 1A AT EXISTING FLOOR TO REMAIN
3/4" = 1'-0"

SECTION 2A AT NEW FLOOR
3/4" = 1'-0"

SECTION 2B AT STAIR OPENING
3/4" = 1'-0"

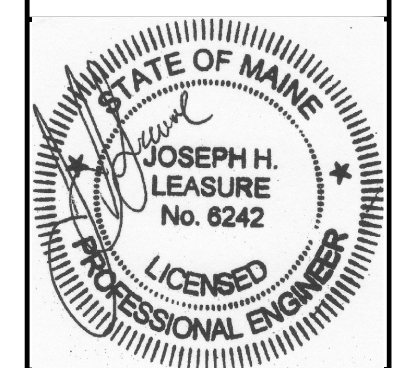
NOT USED

SECTION 2 AT NEW FLOOR
3/4" = 1'-0"

NOT USED

NOT USED

L & L STRUCTURAL ENGINEERING SERVICES, INC.
SIX Q. STREET
SOUTH PORTLAND, MAINE 04106
PHONE: (207) 767-4830
FAX: (207) 799-5432
EMAIL: JLEASURE@L-L-ENG.COM



rev.	date	description	designed by: JHL	checked by: JHL	drawn by: RLM
A	06/09/17	PRICING & PERMIT ONLY			
0	06/15/17	FOR CONSTRUCTION			
1	06/29/17	REVISED FND/FRAMING			
	06/09/2017				
	06/29/2017				

BUILDING LOCATED AT
39 MUNJOY STREET
PORTLAND, MAINE
FOUNDATION SECTIONS AND DETAILS

S1.1

THESE DRAWINGS HAVE BEEN DEVELOPED BY L&L STRUCTURAL ENGINEERING SERVICES, INC. FOR THE TITLED SET ONLY. THE DRAWINGS ARE THE SOLE PROPERTY OF L&L ENGINEERING SERVICES, INC. AND THEY SHALL NOT BE USED, LENT, COPIED OR ALTERED WITHOUT THE WRITTEN CONSENT OF L&L STRUCTURAL ENGINEERING SERVICES, INC.