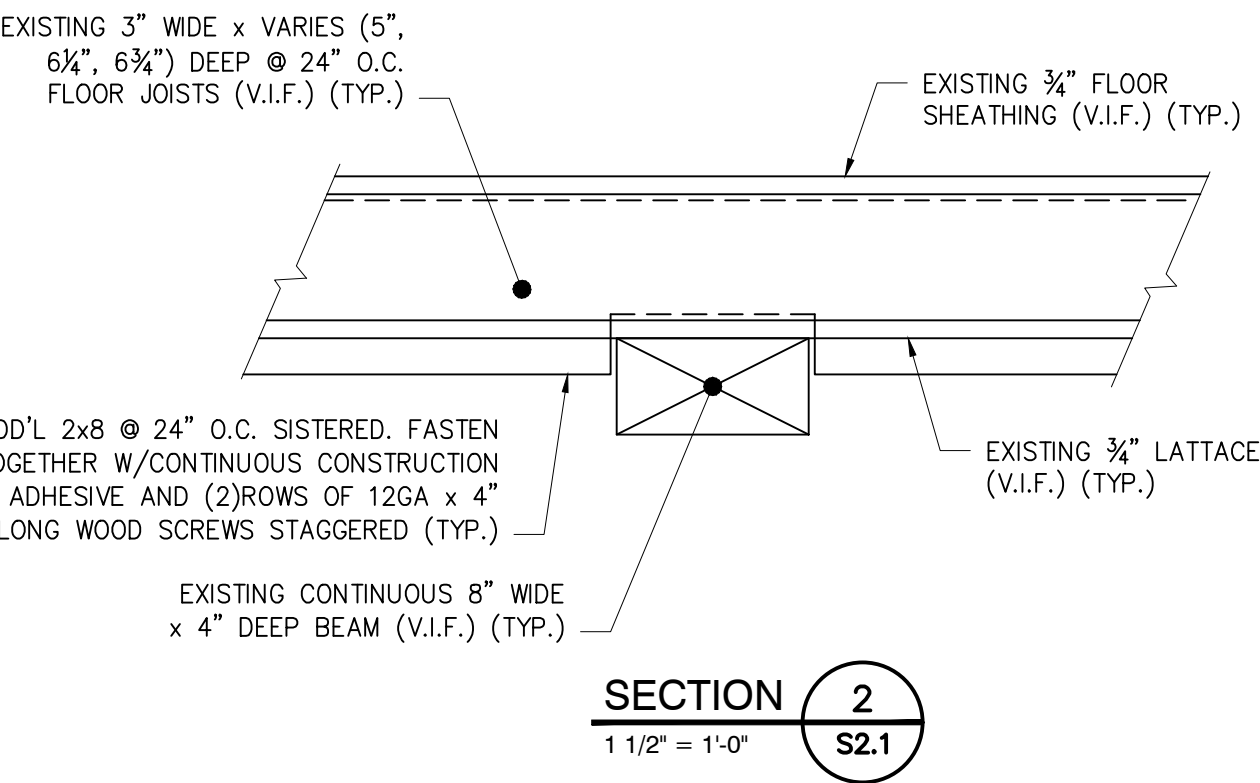
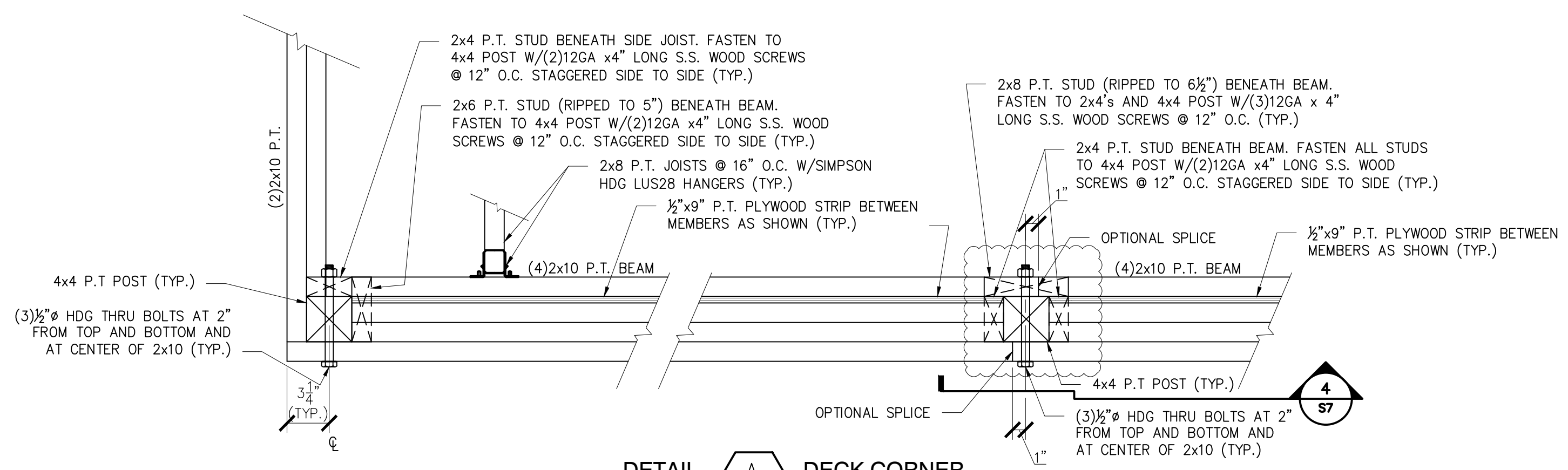


**SECTION 1**  
1 1/2" = 1'-0" S2.1



**SECTION 2**  
1 1/2" = 1'-0" S2.1



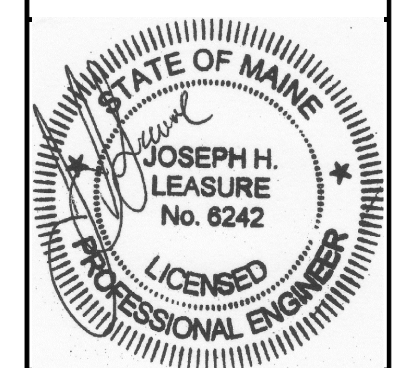
**DETAIL A DECK CORNER**  
1 1/2" = 1'-0"

S8  
S9  
S10  
S11

- NOTES:
1. FASTEN BEAM MEMBERS TOGETHER W/(2)ROWS OF 12GA x 4" LONG S.S. WOOD SCREWS @ 12" O.C. (2" FROM TOP AND BOTTOM OF BEAM) ON BOTH SIDES OF BEAM.
  2. INTERRUPT 2x MEMBERS FASTENED TO POST AT THE TOP AND BOTTOM OF BEAM INSTALLED TIGHT (TYP.).
  3. 4x4 POST SHALL BE CONTINUOUS THRU FLOOR (OR UTILIZE POST SPLICE DETAIL SECTION 4/S7).

**PRELIMINARY  
NOT FOR CONSTRUCTION**

**L & L STRUCTURAL  
ENGINEERING SERVICES, INC.**  
SIX O. STREET  
SOUTH PORTLAND, MAINE 04106  
PHONE: (207) 767-4830  
FAX: (207) 799-5432  
EMAIL: JLEASURE@LL-ENG.COM



rev.	date	description	approved
A	06/09/17	PRICING & PERMIT ONLY	JHL

designed by: JHL  
drawn by: RJW  
checked by: JHL  
scale: AS NOTED  
date: 06/09/2017  
plot date: 06/09/2017  
project #: 2017-076

**BUILDING LOCATED AT**  
39 MUNJOY STREET  
PORTLAND, MAINE  
FRAMING SECTIONS AND DETAILS

**S3.0**

THESE DRAWINGS HAVE BEEN DEVELOPED BY L&L STRUCTURAL ENGINEERING SERVICES, INC. FOR THE TITLED SET ONLY. THE DRAWINGS ARE THE SOLE PROPERTY OF L&L ENGINEERING SERVICES, INC. AND THEY SHALL NOT BE USED, LENT, COPIED OR ALTERED WITHOUT THE WRITTEN CONSENT OF L&L STRUCTURAL ENGINEERING SERVICES, INC.