

Revisions:

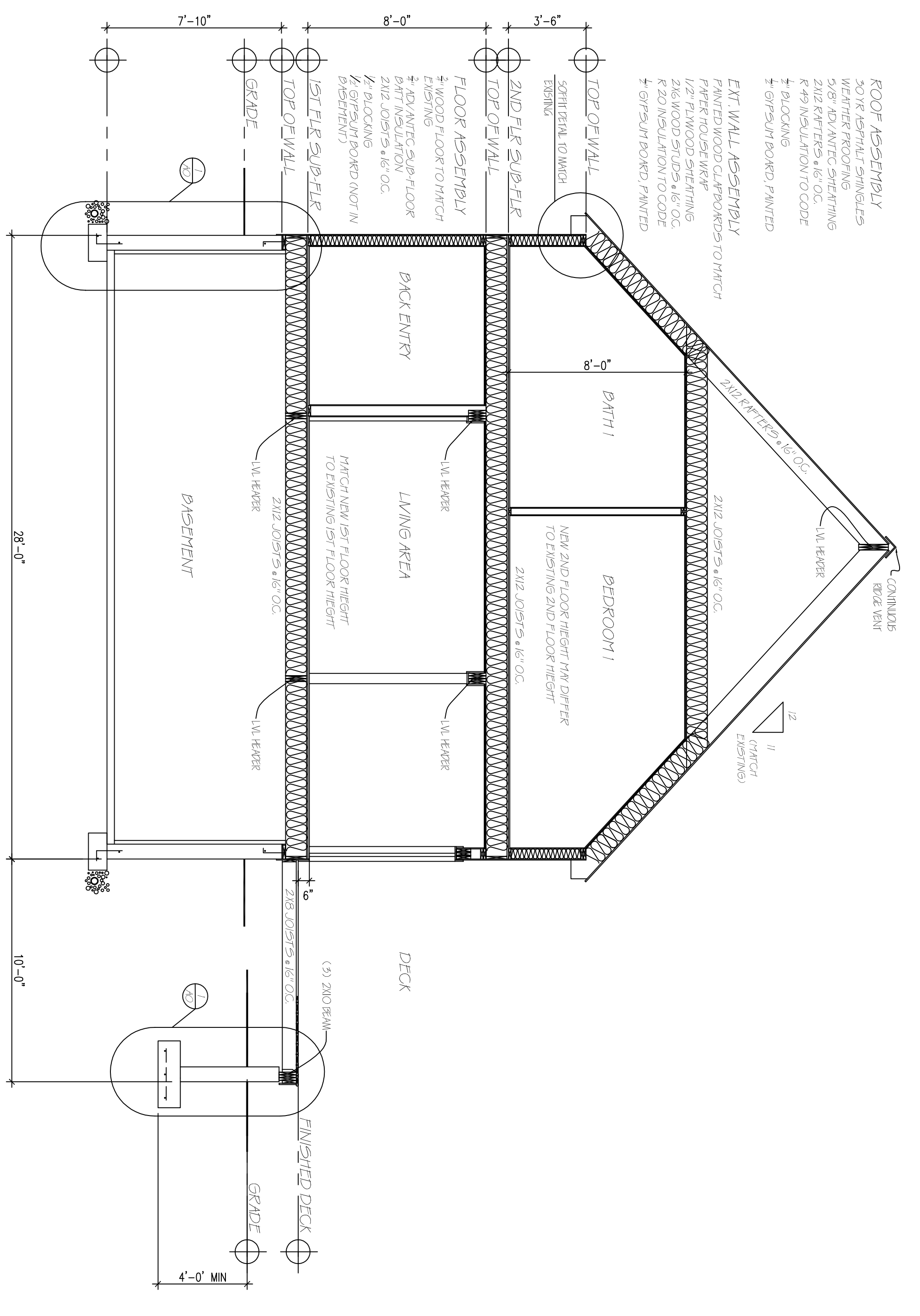
Date: JAN 3, 2017  
 Drawn By: DGR  
 Scale: as shown  
 File: ----

Drawing Title:

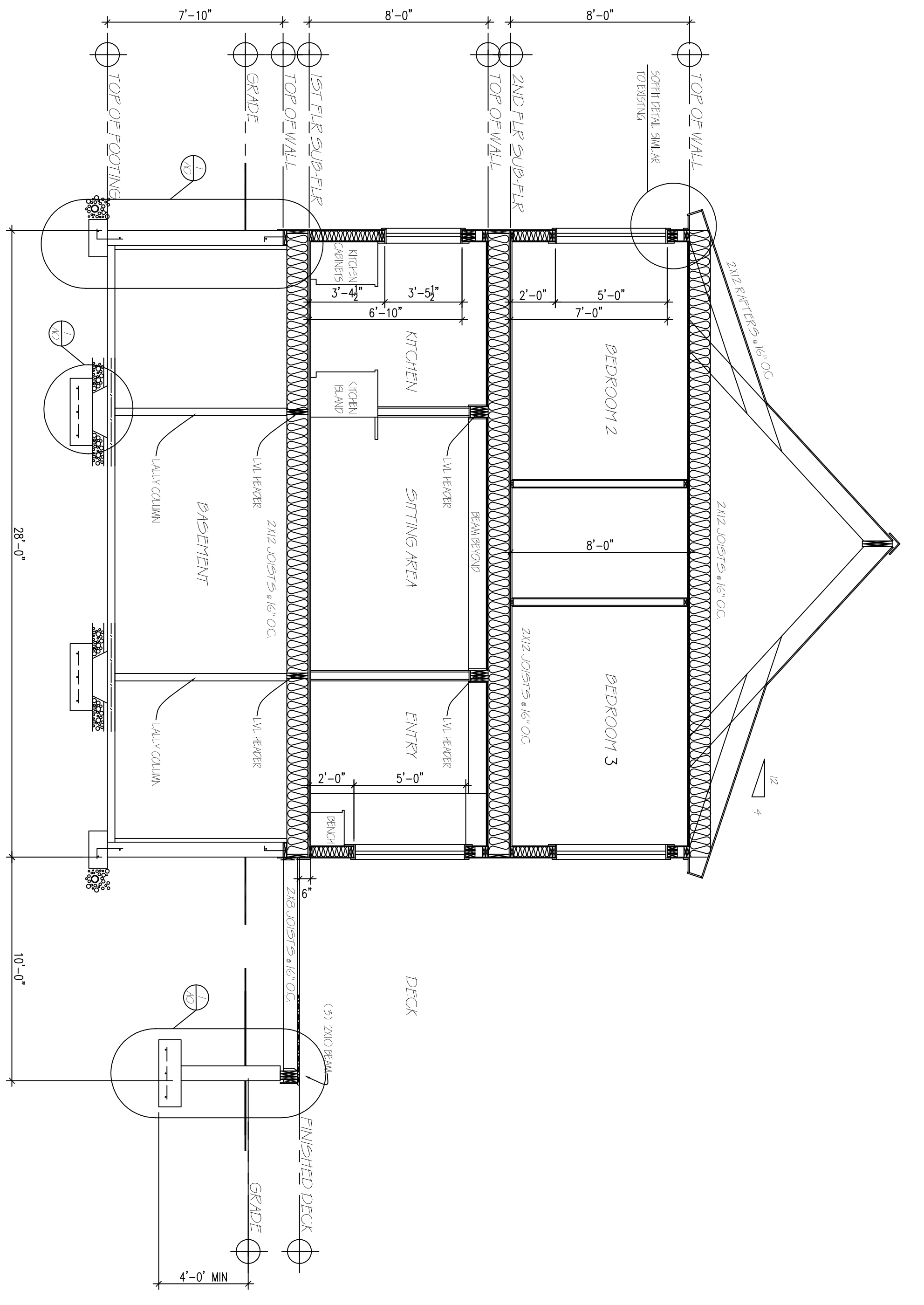
BUILDING SECTIONS

Drawing Number:

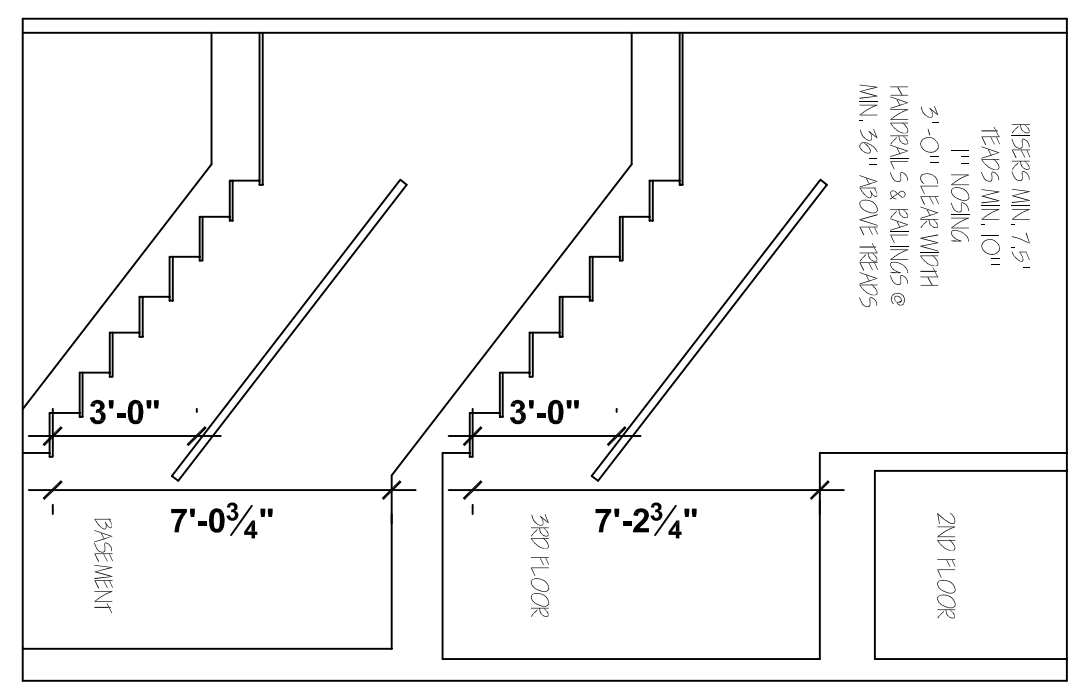
**A5**



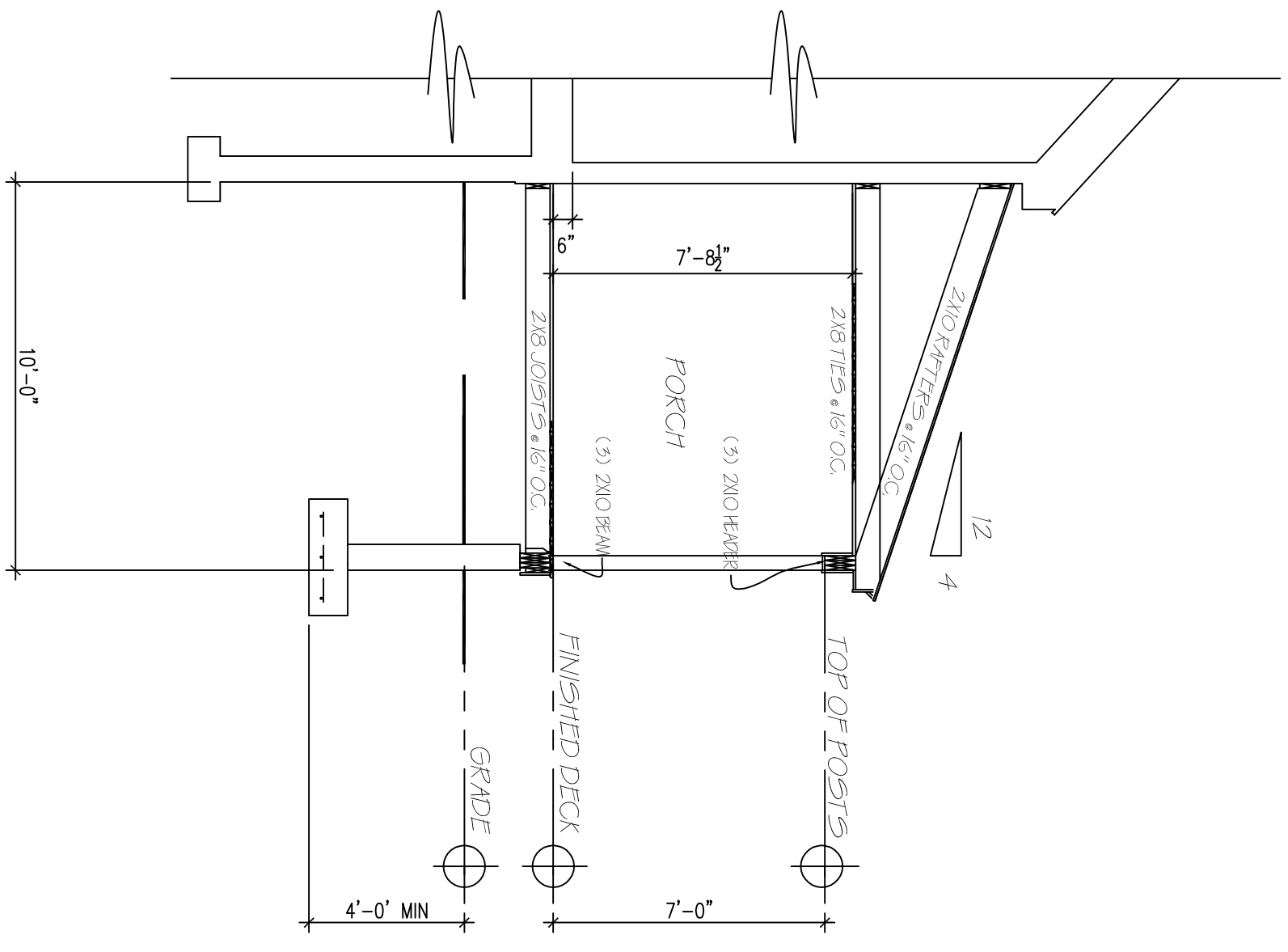
**A** BUILDING SECTION  
 SCALE: 1/4" = 1'-0"



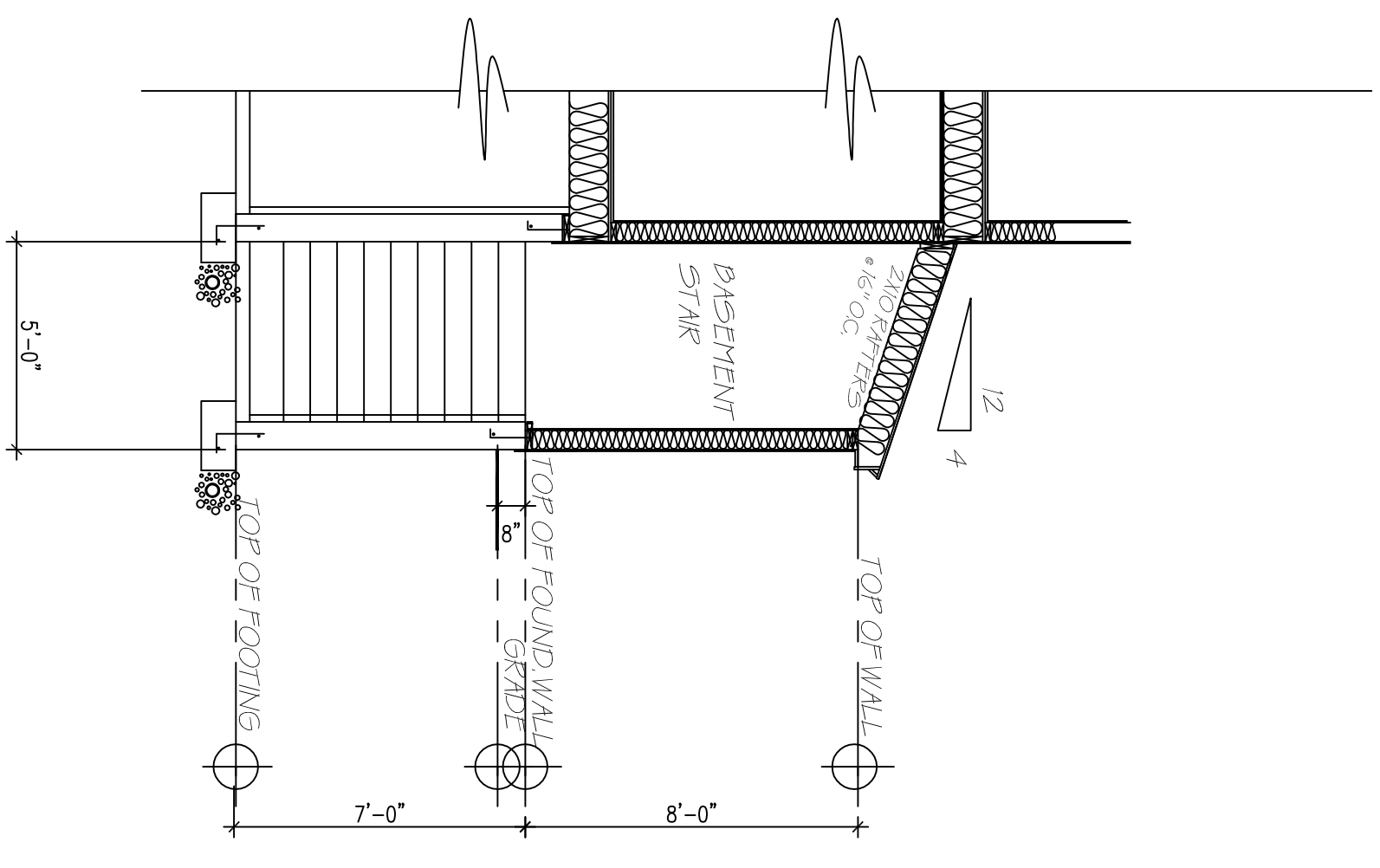
**B** BUILDING SECTION  
 SCALE: 1/4" = 1'-0"



STAR DETAIL  
 SCALE: 1/4" = 1'-0"



**C** BUILDING SECTION  
 SCALE: 1/4" = 1'-0"



**D** BUILDING SECTION  
 SCALE: 1/4" = 1'-0"