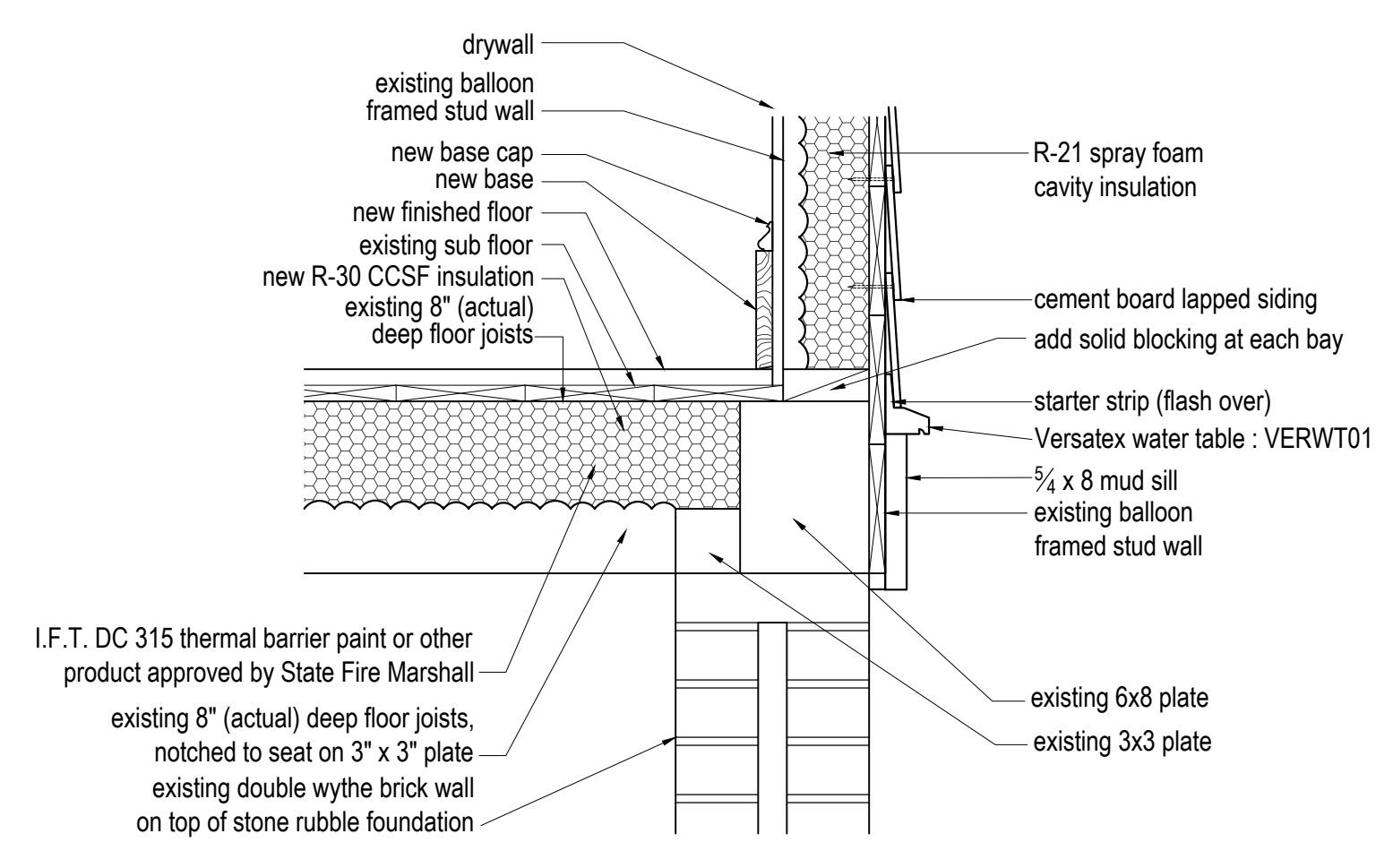
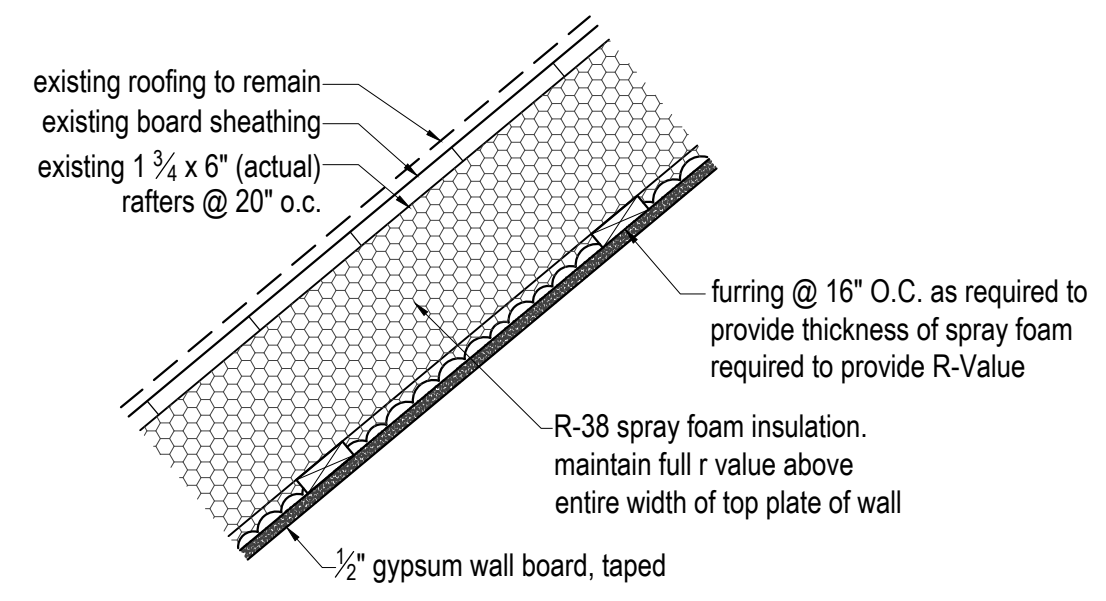


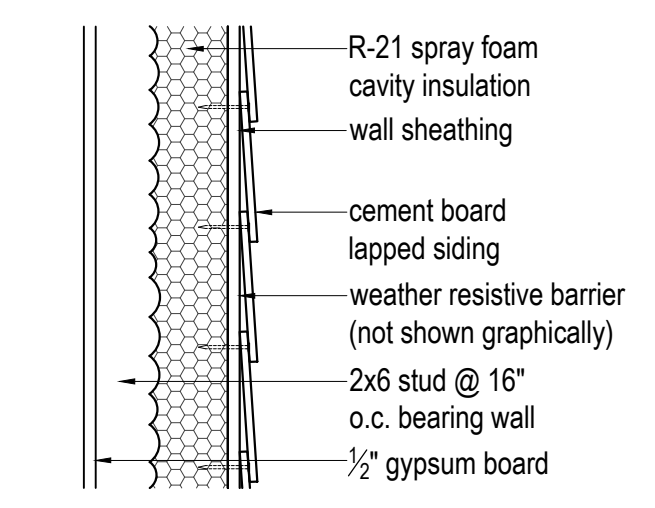
**D** Roof at Roof Deck (section view)  
1-1/2" = 1'-0"



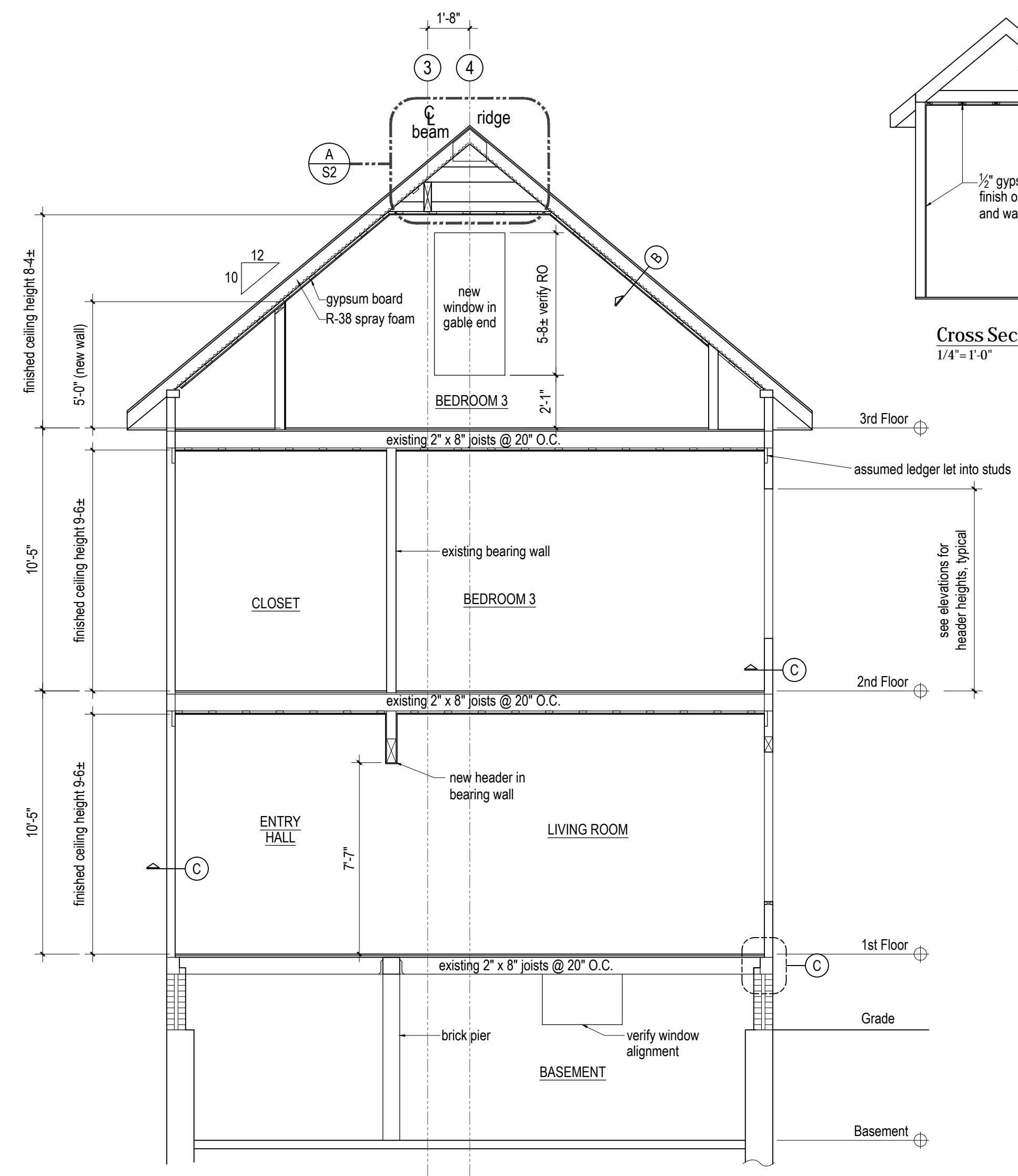
**C** Insulation at 1st Floor sill and typical exterior wall (section view)  
1-1/2" = 1'-0"



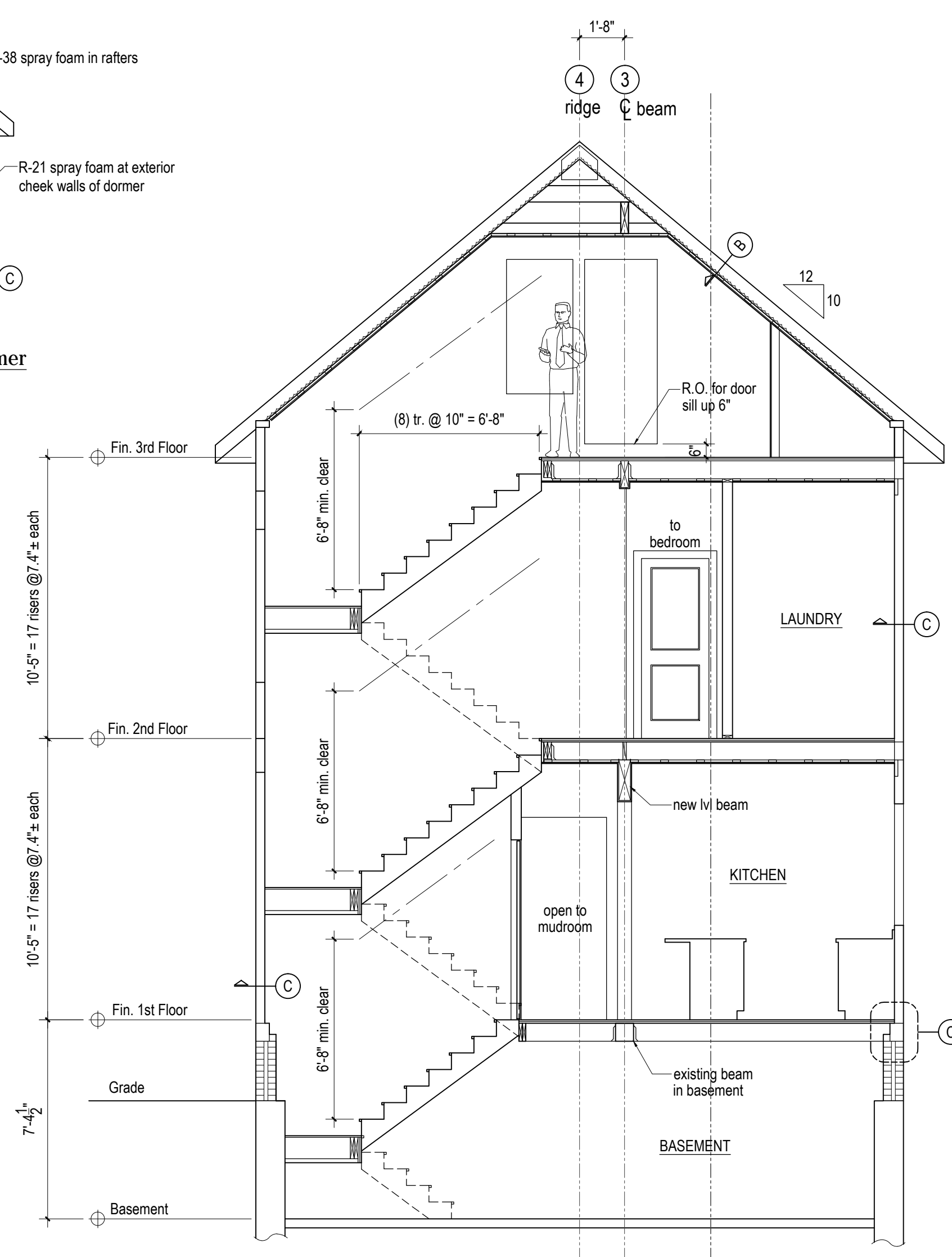
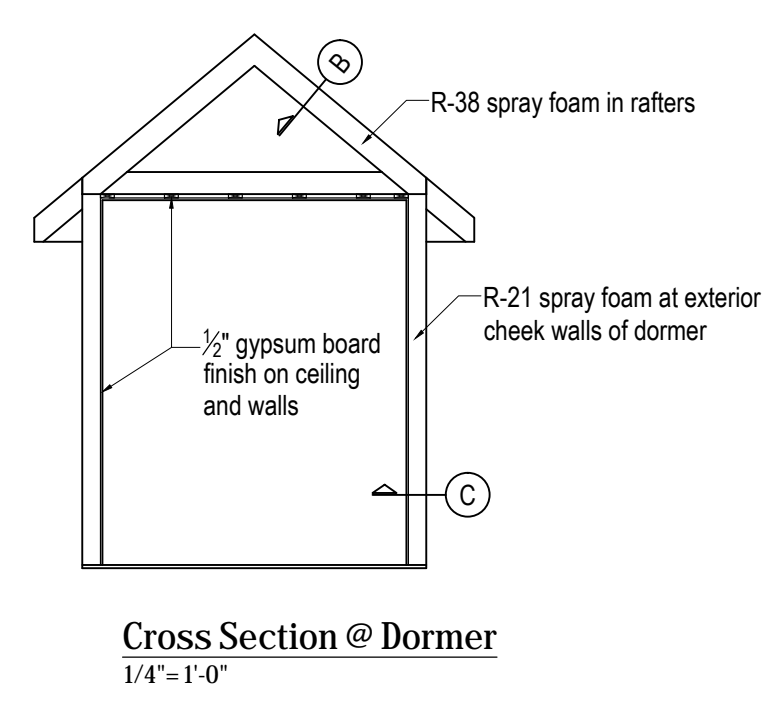
**B** Roof System (section view)  
1-1/2" = 1'-0"



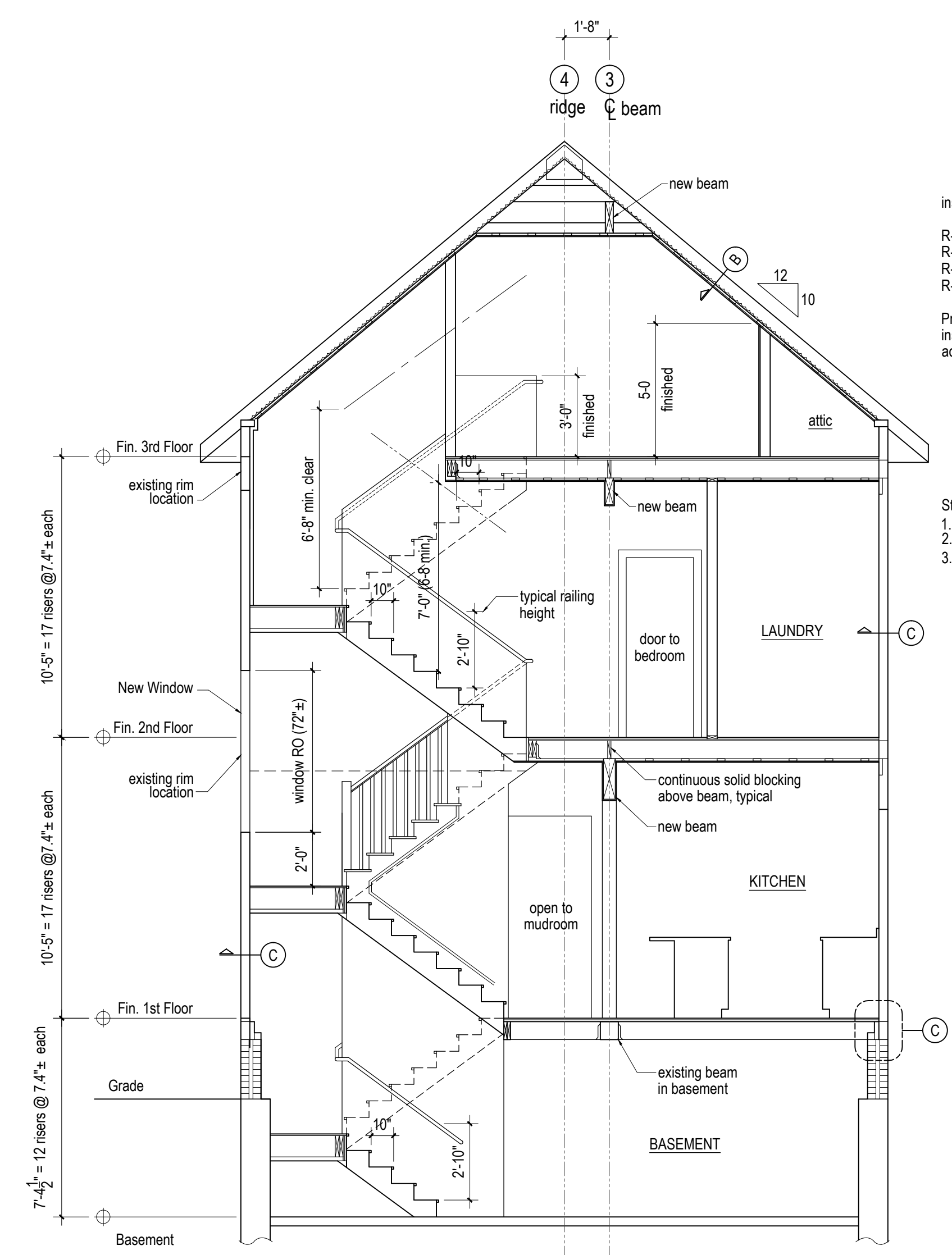
**A** New Exterior Wall System  
1-1/2" = 1'-0"



**3** Cross Section  
1/4" = 1'-0"



**2** Cross Section at Stair  
1/4" = 1'-0"



**1** Cross Section at Stair  
1/4" = 1'-0"

Insulation r values:  
R-38 Roof  
R-21 Walls  
R-30 1st floor above basement  
R-30 2nd floor above back porch  
Provide closed cell spray foam insulation to thickness required to achieve R values

Stair Notes:  
1. max. riser height: 7 3/4"  
2. min. tread depth: 10"  
3. Handrail: 1 1/2" diameter, 34" above leading edge of tread

