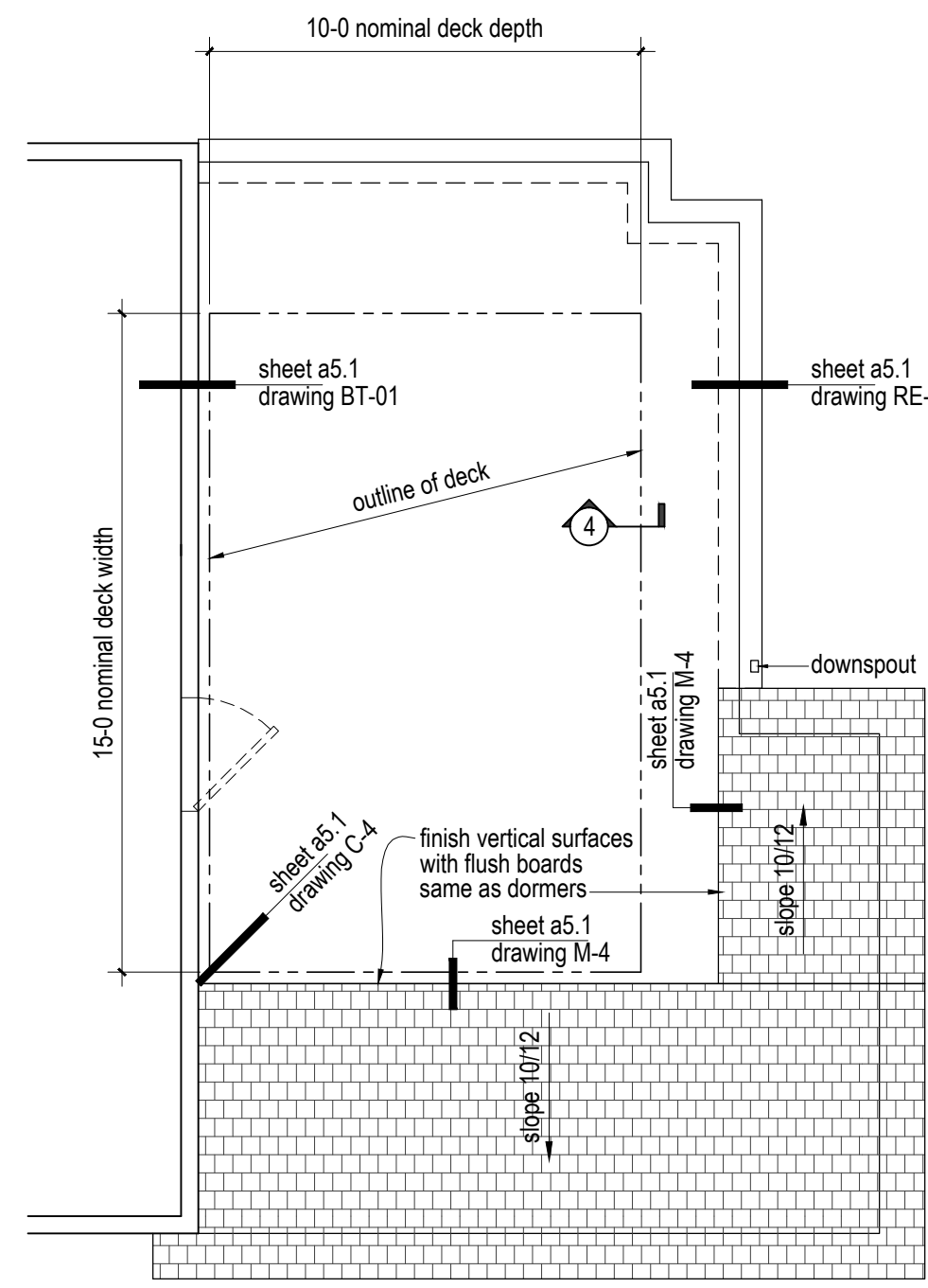
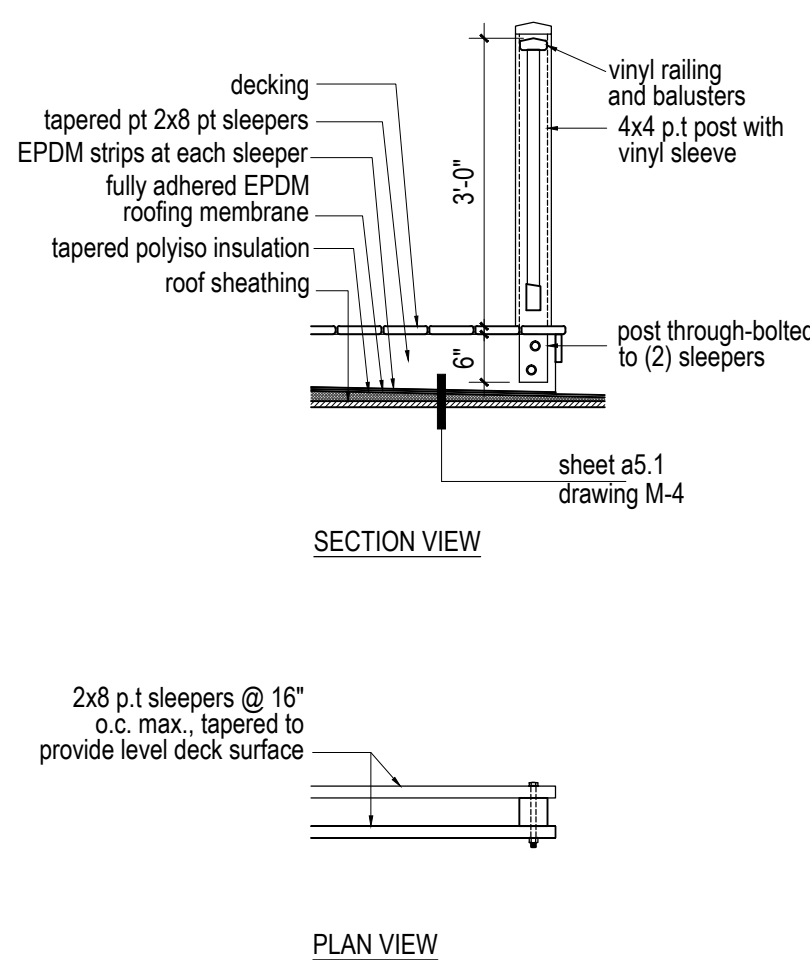


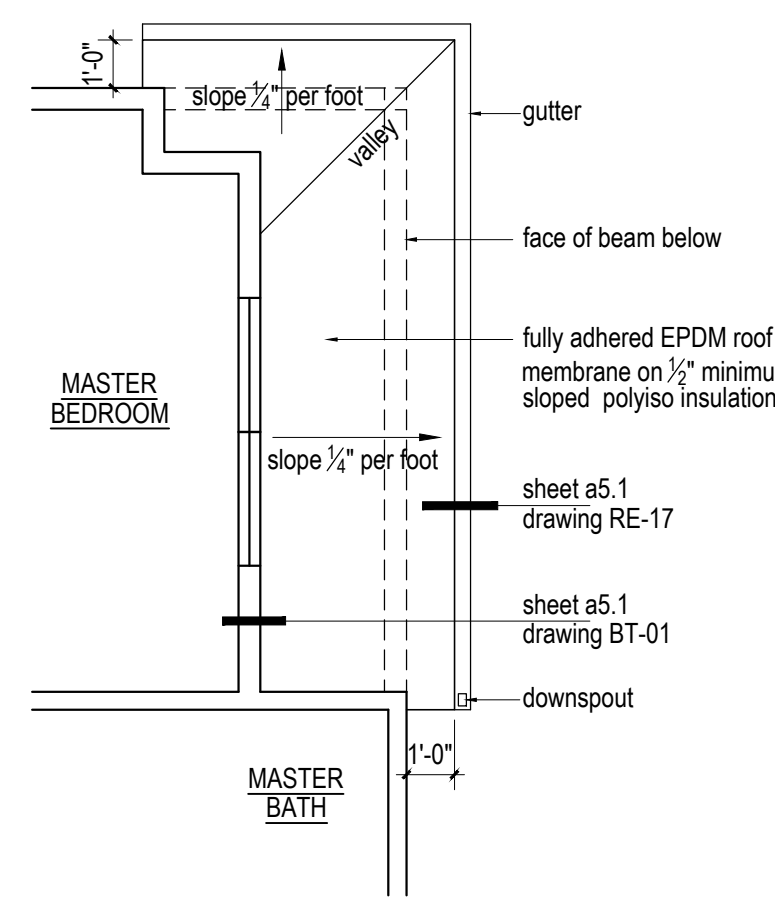
slope of EPDM roofing
1/4"=1'-0"



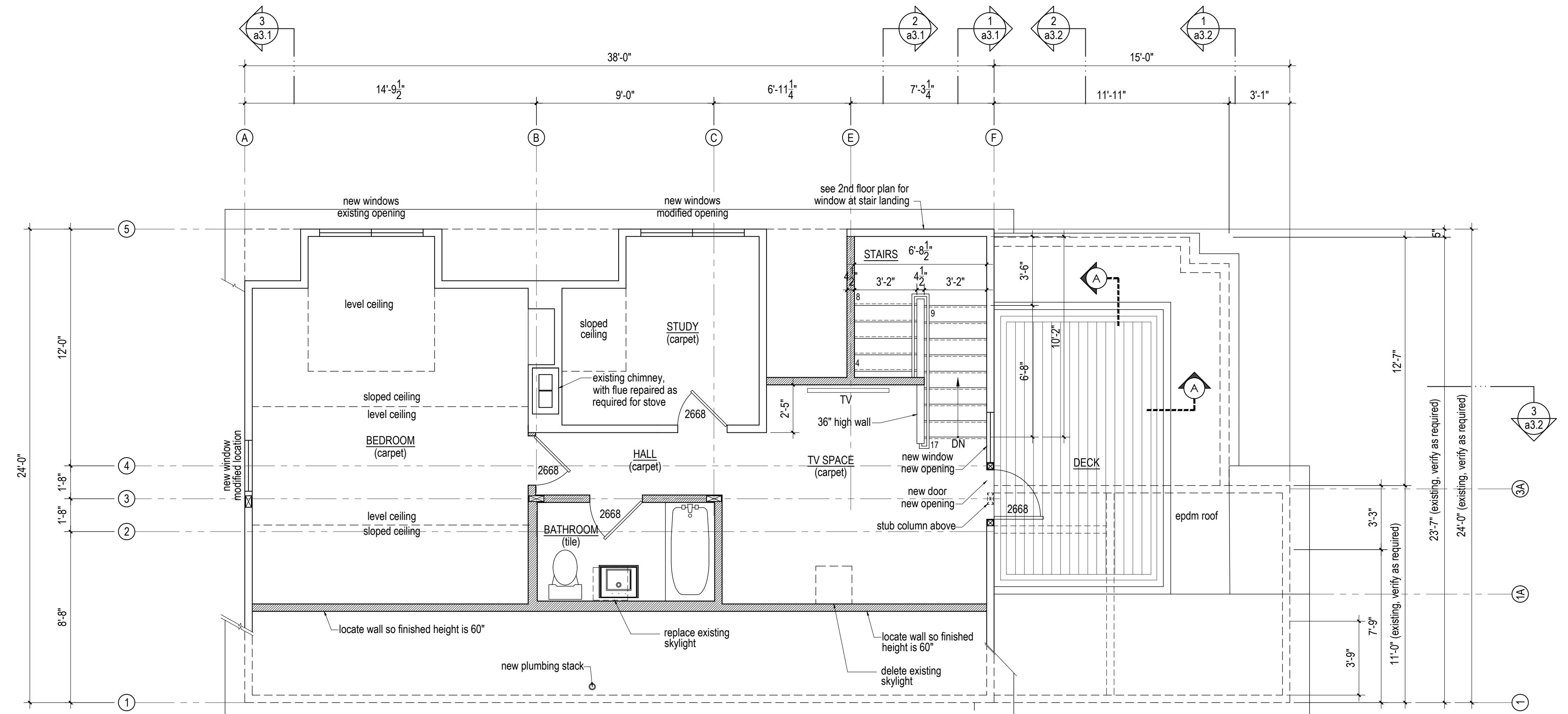
3rd floor roof plan
1/4"=1'-0"



A Roof Deck Railing Detail
1/2"=1'-0"

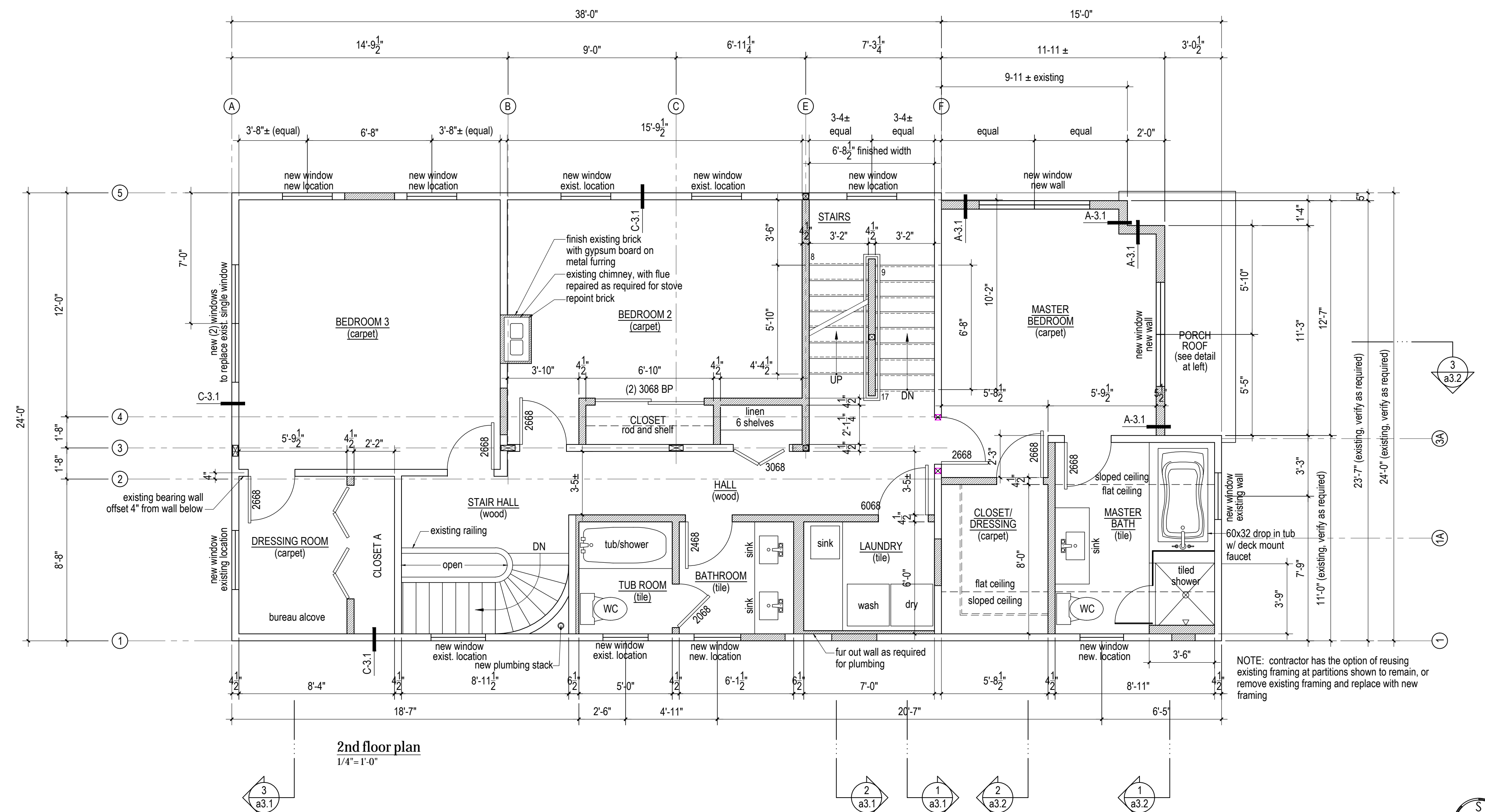


Porch roof plan at 2nd floor
1/4"=1'-0"



3rd floor plan
1/4"=1'-0"

NOTE: contractor has the option of reusing existing framing at partitions shown to remain, or remove existing framing and replace with new framing



2nd floor plan
1/4"=1'-0"

NOTE: contractor has the option of reusing existing framing at partitions shown to remain, or remove existing framing and replace with new framing