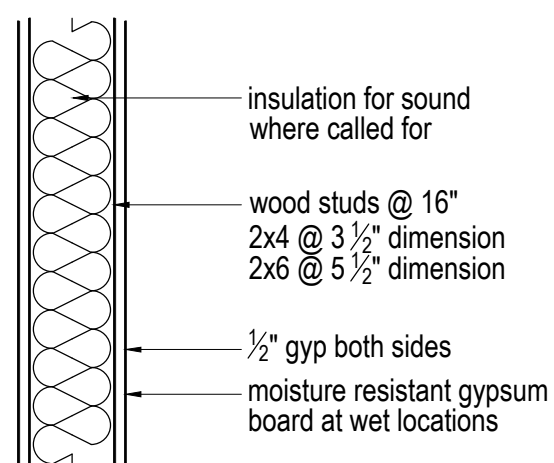
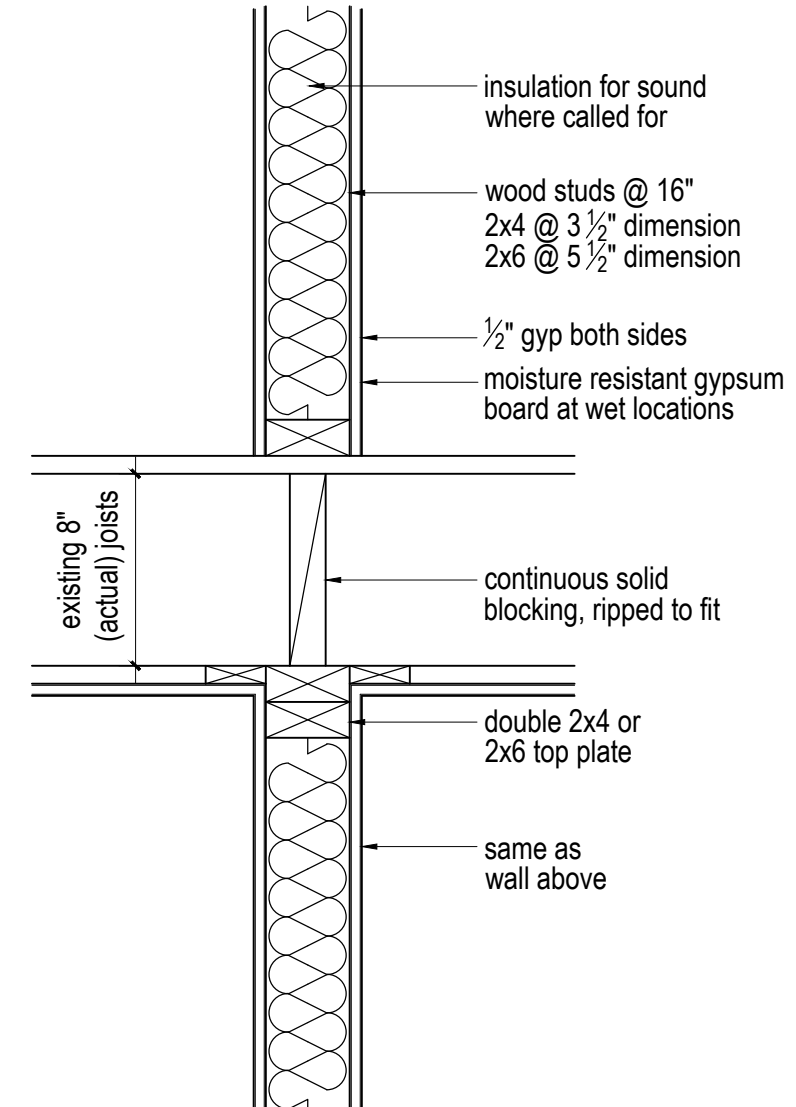


Door Detail



Interior partitions (non-load bearing)

Wall Types and Details
1 1/2" = 1'-0"



Interior Load Bearing Walls (see framing plans for bearing wall locations)

