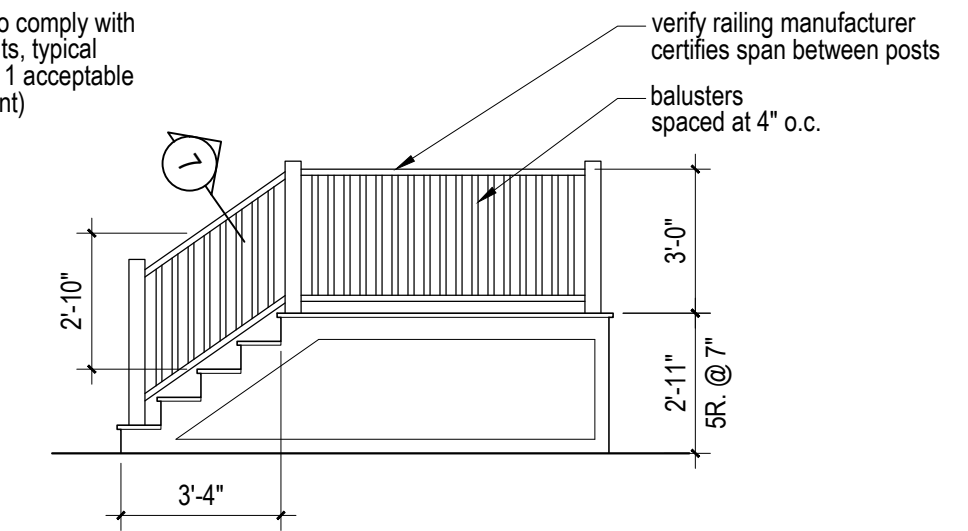
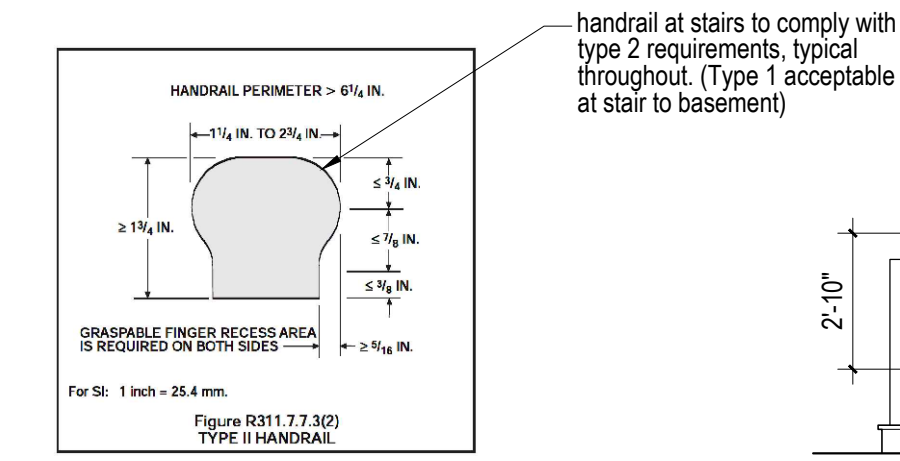


Window & Exterior Door Schedule							
Mark	Designation	Operation	Unit Dimension	Rough Opening	Grille Pattern	Notes	
Marvin Integrity Windows and Doors	A	ITDH 3468 E	Double Hung	2 - 9 1/2 x 5 - 7 3/4	by contractor	6 over 1	Egress Window
	B	ICAP3727	Awning	3-0 x 2-3 1/8	by contractor	2W X 1H	Egress Window
	C	ICA 2959 2W E	Casement	2 - 4 x 4 - 11 1/2	by contractor	2W X 3H	Egress Window
	D	ITDH 3652	Double Hung	2 - 11 1/2 x 4 - 3 3/4	by contractor	6 over 1	
	F	ITDH 3060	Double Hung	2 - 5 1/2 x 4 - 11 1/4	by contractor	6 over 1	
	F	ITDH 3456	Double Hung	2 - 9 1/2 x 4 - 7 3/4	by contractor	6 over 1	Bathroom window
	G	ITDH 2556	Double Hung	1-9 1/2 x 4-7 3/4	by contractor	4 over 1	Bathroom window
	H	IAWN 2535	Awning	2-0 x 2-11 1/2	by contractor	2W X 3H	powder room, master bath
	J	ISFD 6080 XO	Sliding French Door	6' x 8' nom.	by contractor	2W X 4H	
	K	IOFD 2865 XR	outswing french door	2-8 x 6-7 nom.	by contractor	2W X 4H	
	L	ITDH 3056	Double Hung	2-5 1/2 x 4-7 3/4	by contractor	6 over 1	Bathroom window
	Thema Tru	M	S2104 SDL-GBGC	Inswing Exterior Door	3-0 x 6-8	Oak sill with horns for 3/4 X 6 trim	2W X 3H
T.B.D.	N		Inswing Exterior Door	3-0 x 6-8			Replacement for existing

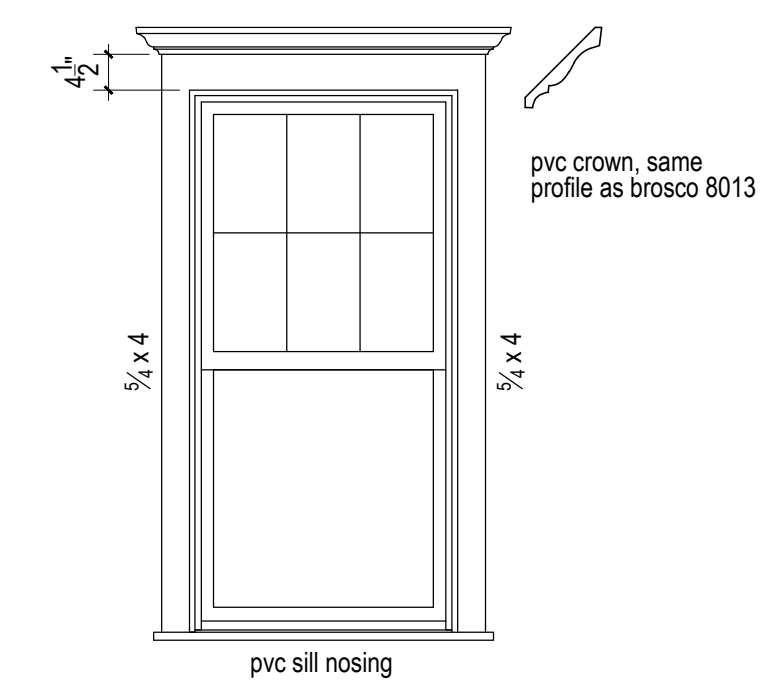
Notes:
1. Window and Door Designations are for Marvin Integrity Ultrex with Wood Interior
2. Grilles shall be SDLS (with spacer bar) in patterns shown
3. Doors to be determined
4. A1 shall be a single unit of A window. A2 shall be (2) A units mullied together. And so on...
5. Coordinate sill with backslash at counter
6. Provide safety glazing at window units indicated on floor plans (SG = Safety Glazing)



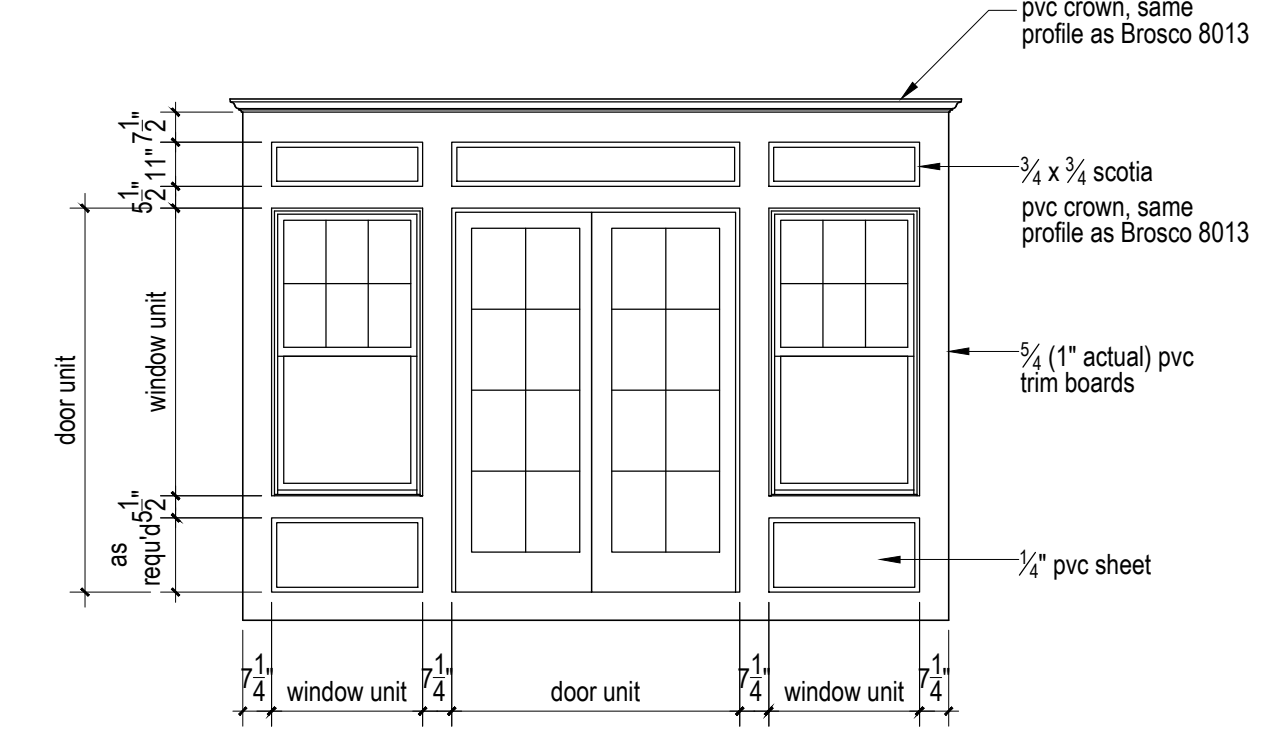
6 Deck and stairs:
1/4"=1'-0"



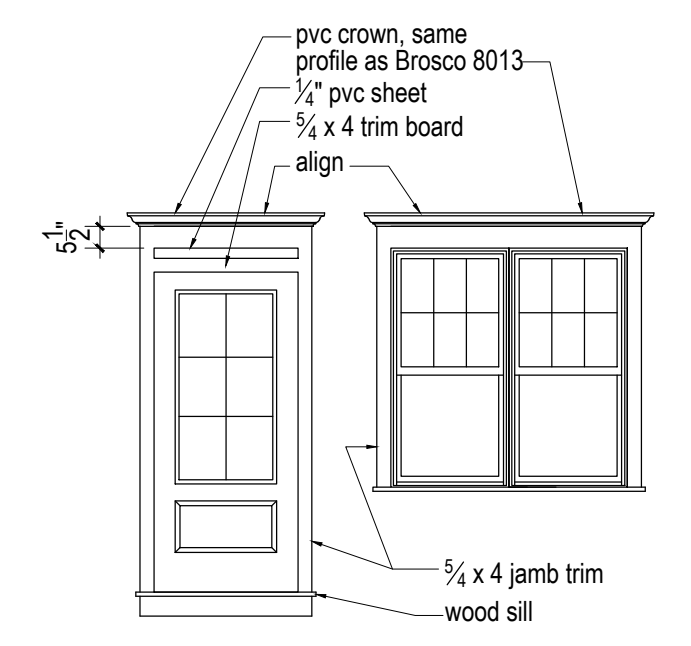
7 Exterior railings and guards:
1/4"=1'-0"



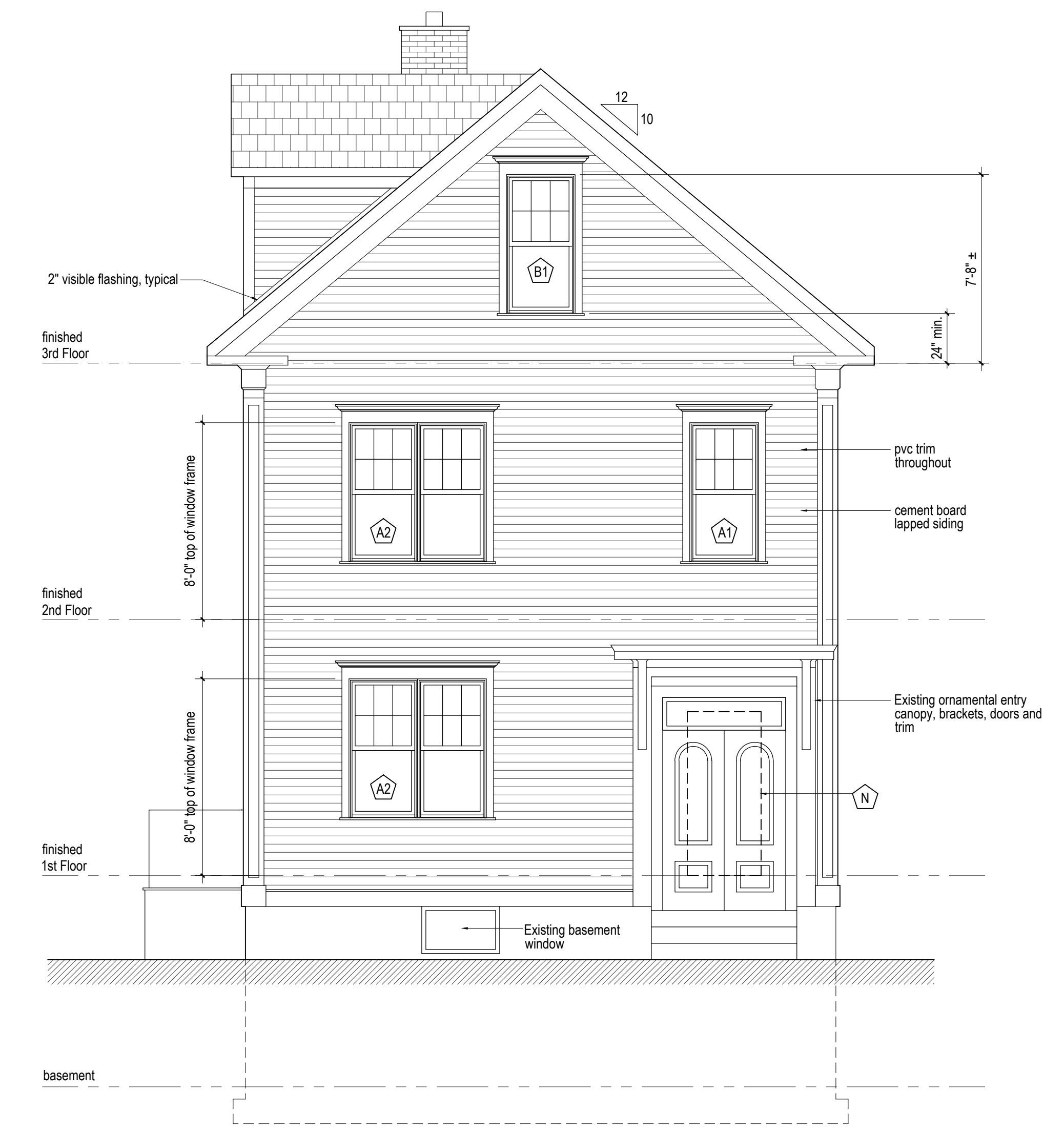
3 Typical Window Trim:
1/2"=1'-0"



4 Dining Room Unit:
1/4"=1'-0"



5 Door at back porch:
1/4"=1'-0"



1 East (front) Exterior Elevation:
1/4"=1'-0"



2 South (side) Exterior Elevation:
1/4"=1'-0"