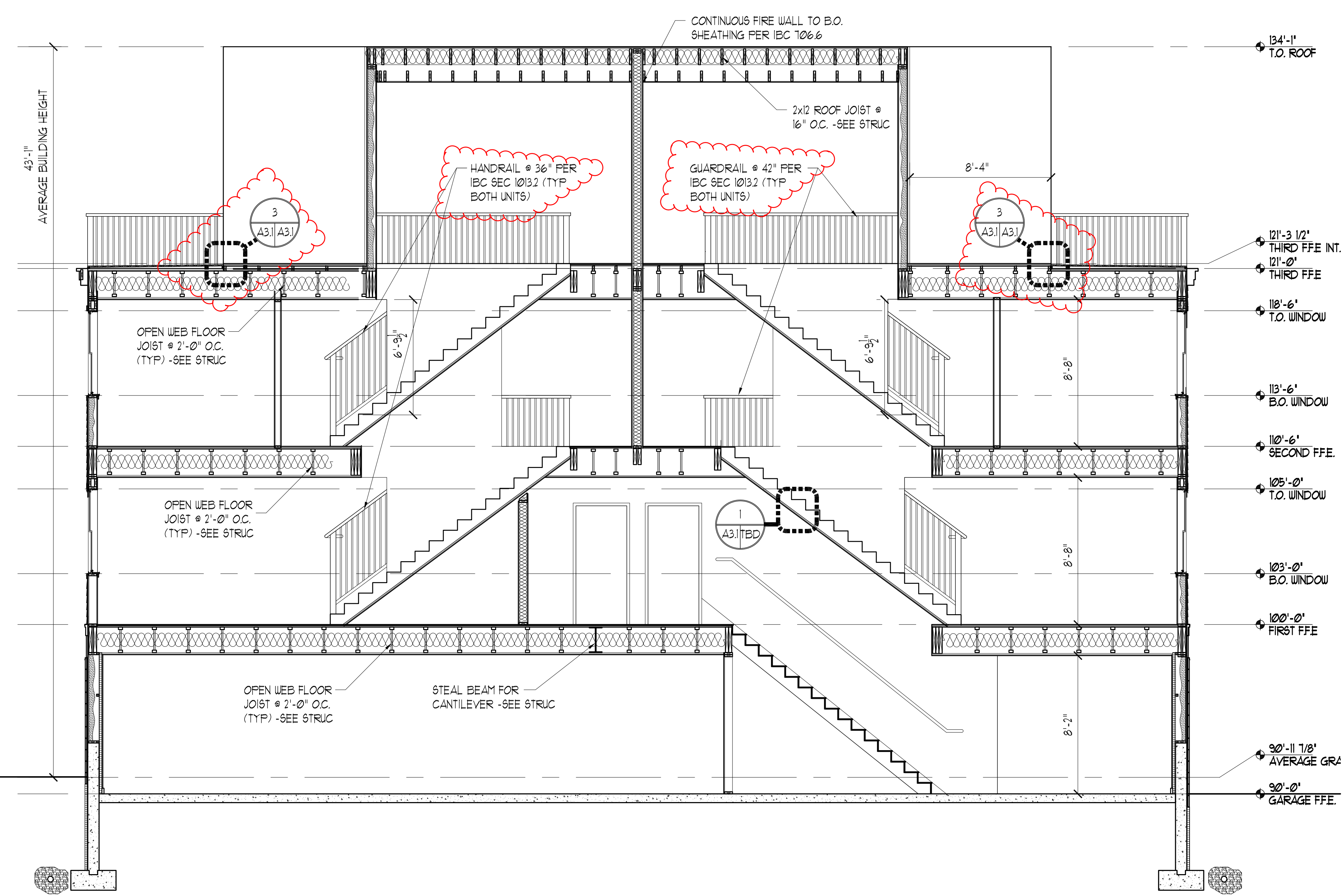
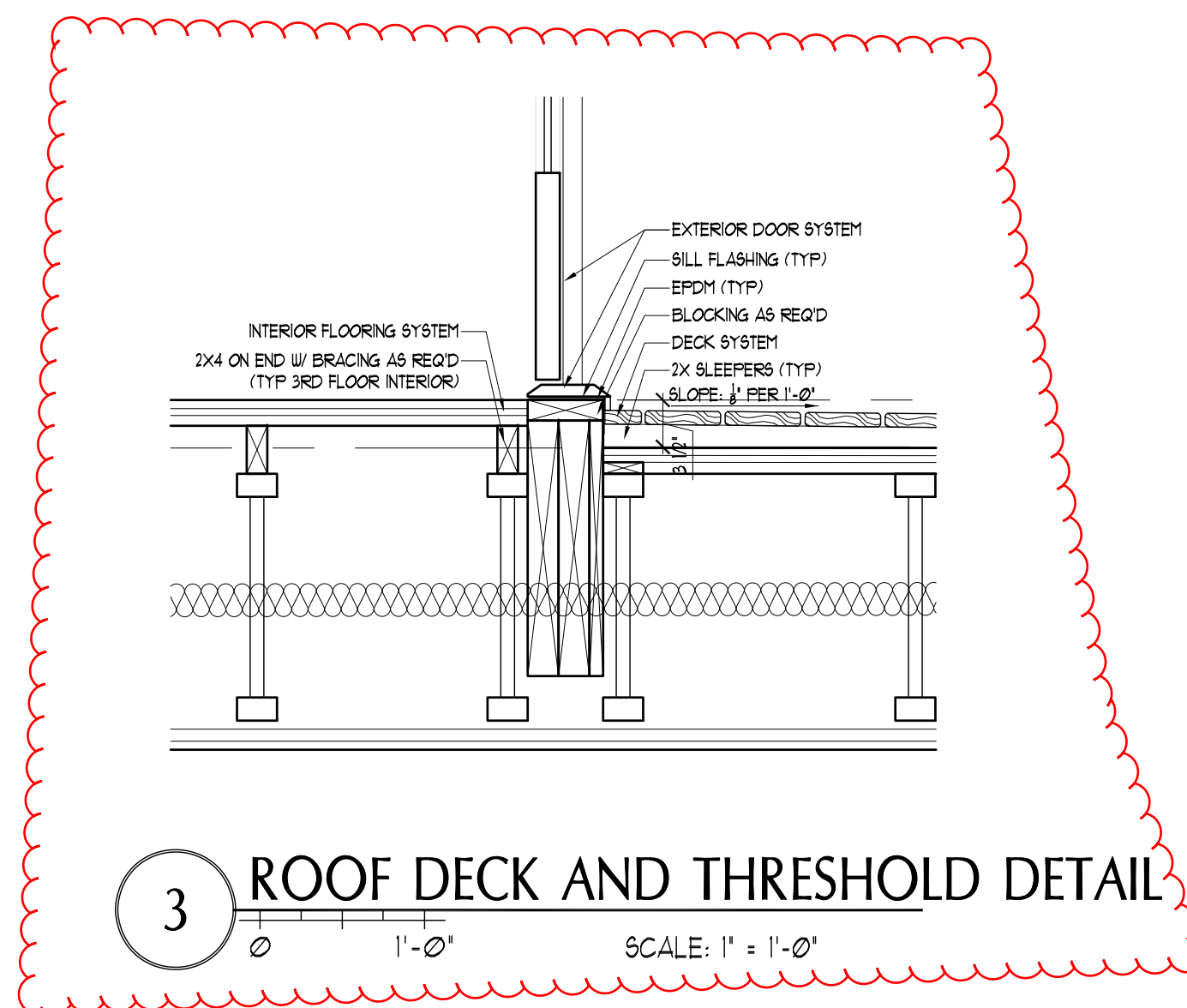


2 BUILDING SECTION
SCALE: 1/4" = 1'-0"



1 BUILDING SECTION
SCALE: 1/4" = 1'-0"



3 ROOF DECK AND THRESHOLD DETAIL
SCALE: 1" = 1'-0"



Consultants:

PERMIT SET

40 O'Brien St CONDOS
40 O'Brien Street
Portland, Maine

#	DATE	DESCRIPTION
1	2-15-18	ZONING REVISIONS
2	3-15-18	CODE ENFORCEMENT
3	4-10-18	CITY PLANNING REV. CODE ENFORCEMENT

Date Issued: OCTOBER 26, 2011
Project Number: 15030
Drawing Scale: AS NOTED

SECTIONS

Drawn By: JAP, TS
Checked By: ACH
A3.1