

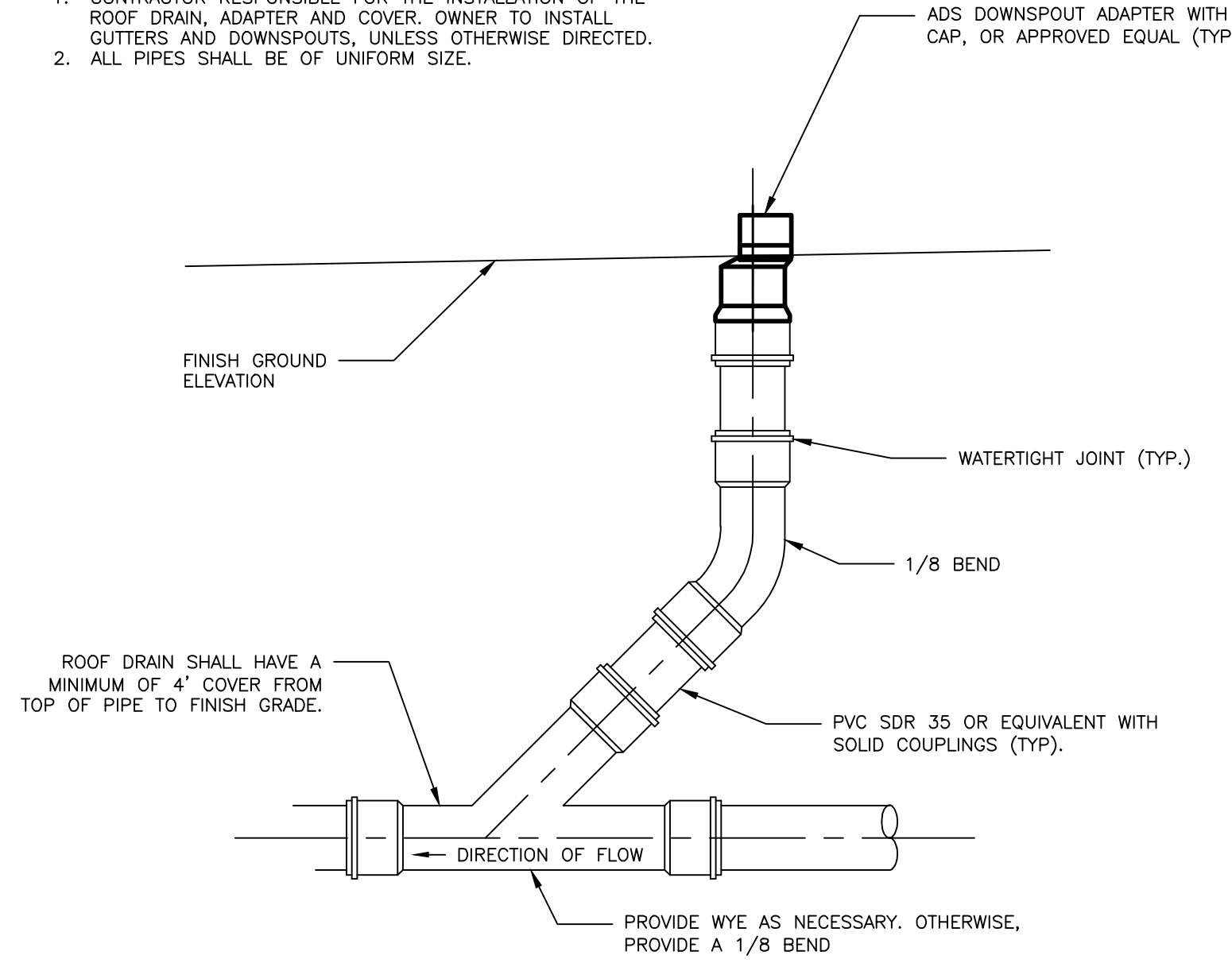
4'-0" DIAMETER PRECAST CATCH BASIN/MANHOLE
NOT TO SCALE

GENERAL NOTES FOR MANHOLES AND CATCH BASINS

1. ALL CONCRETE SHALL HAVE A MINIMUM ULTIMATE COMPRESSIVE STRENGTH OF 4000 LBS. PER SQ. INCH AT THE END OF 28 DAYS, UNLESS OTHERWISE NOTED.
2. MANHOLES MAY BE CONSTRUCTED OF PRECAST REINFORCED CONCRETE, OR CAST IN PLACE.
3. PRECAST REINFORCED CONE BARREL MANUFACTURED PER ASTM SPEC. C-478.
4. ALL STORM AND SEWER MANHOLE COVERS SHALL BE SOLD AND SHALL HAVE ONE 7/8" DIAMETER DRILLED PICK HOLE LOCATED 8" FROM THE CENTER OF THE COVER.
5. ALL SANITARY MANHOLE COVERS SHALL HAVE "SEWER" CAST INTO THE COVER. ALL STORMWATER/RAIN MANHOLE COVERS SHALL HAVE "RAIN" CAST INTO THE COVER.
6. ALL MANHOLE RISERS SHALL BE ETHERIDGE 24" OR APPROVAL EQUAL.
7. SEWER BRICK SHALL CONFORM TO ASTM SPEC. DESIGNATE ON C-32-63, GRADE MA AND SA.
8. ALL SANITARY MANHOLES SHALL HAVE A WATERPROOFING COATING APPLIED TO THE EXTERIOR SURFACE.
9. CATCH BASIN FRAMES FOR TYPE A4 CATCH BASIN CURB INLETS SHALL BE ETHERIDGE DRSA OR APPROVED EQUAL.
10. CASTINGS SHALL CONFORM TO ASTM DESIGNATION A48-CLASS 35.
11. EXISTING MANHOLES, CATCH BASINS, FRAMES, AND COVERS SHALL BE SALVAGED BY THE CONTRACTOR, AND SHALL REMAIN THE PROPERTY OF THE CITY OF PORTLAND.

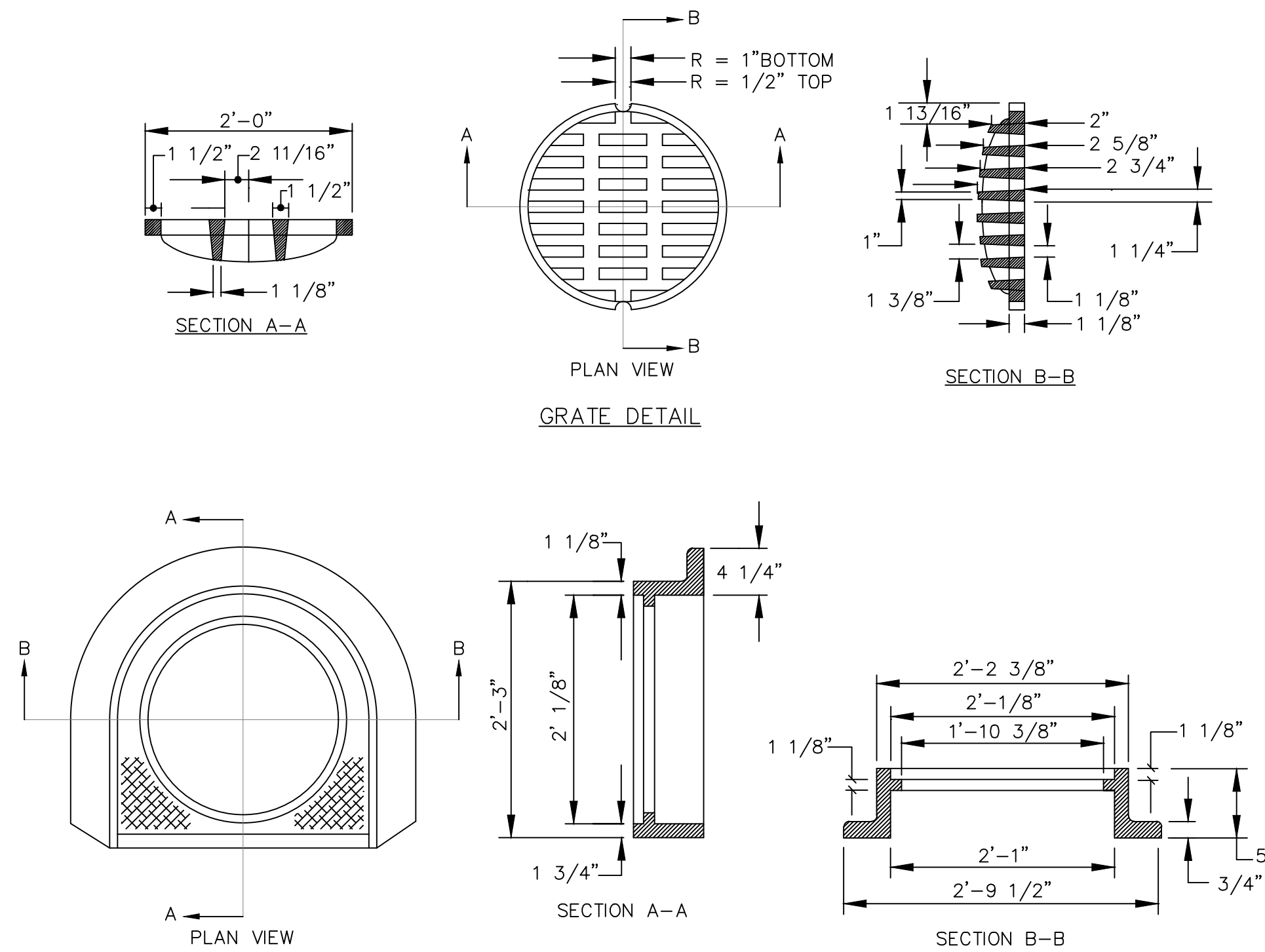
NOTES:

1. CONTRACTOR RESPONSIBLE FOR THE INSTALLATION OF THE ROOF DRAIN, ADAPTER AND COVER. OWNER TO INSTALL GUTTERS AND DOWNSPOUTS, UNLESS OTHERWISE DIRECTED.
2. ALL PIPES SHALL BE OF UNIFORM SIZE.



ROOF DRAIN DETAIL
NOT TO SCALE

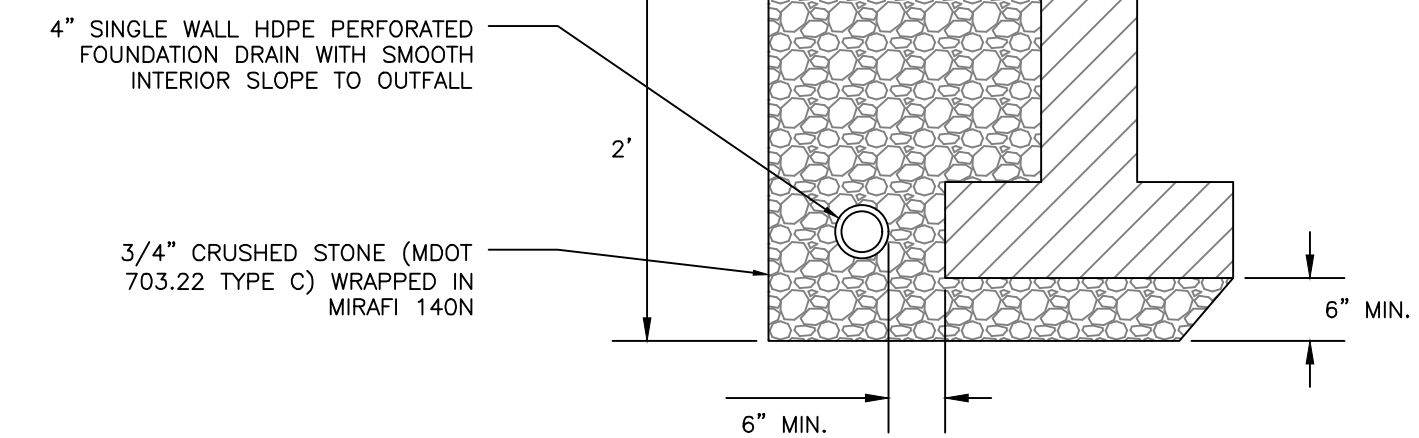
1. APPROVED CATCH BASIN FRAMES:
 - 1.1. EAST JORDAN = 7375Z
 - 1.2. NEENAH = R-3248
 - 1.3. OR APPROVED EQUAL
2. APPROVED CATCH BASIN GRATES
 - 2.1. EAST JORDAN = 2440M
 - 2.2. NEENAH = R-3248
 - 2.3. OR APPROVED EQUAL



CATCH BASIN FRAME & GRATE
NOT TO SCALE

NOTES:

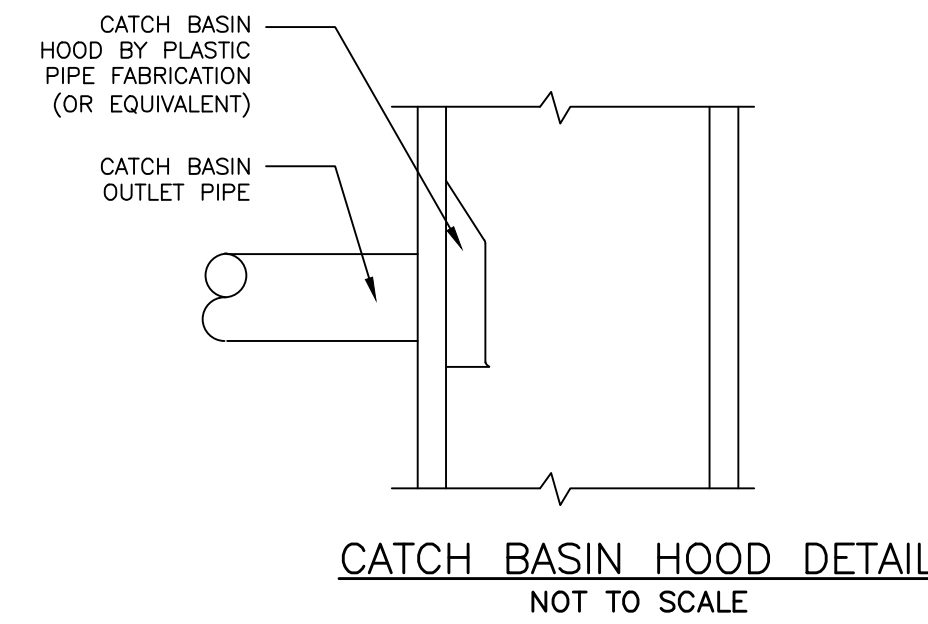
1. REFER TO THE BUILDING ARCHITECTS PLANS FOR THE BUILDING FOUNDATION, BACKFILL, ROOF DRAIN, SIDEWALK AND OTHER DETAILS.
2. PERFORATIONS IN UNDERDRAIN PIPE SHALL BE ORIENTED DOWN.



FOUNDATION DRAIN DETAIL
NOT TO SCALE

NOTES:

1. INSTALL CATCH BASIN HOODS IN ALL CATCH BASINS WITH A 12" OR 15" OUTLET PIPE.
2. PREFERRED STYLE DESIGNED TO ELIMINATE CEMENTING OF THE TRAP.
3. REFER TO MANUFACTURER'S RECOMMENDATIONS FOR INSTALLATION REQUIREMENTS



PERMIT LEVEL
NOT ISSUED FOR
CONSTRUCTION

ISSUED FOR	BY
CITY APP.	WHS
	10/31/17

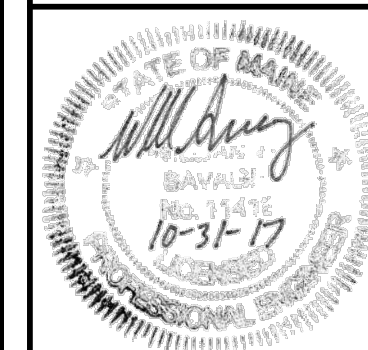
DRAWING NAME:	DRAINAGE DETAILS
PROJECT NAME:	40 O'BRIEN STREET RESIDENTIAL INFILL
CLIENT:	215 FORESIDE ROAD, LLC.
	215 FORESIDE ROAD FALMOUTH, MAINE 04105

A C C O R N
ENGINEERING, INC.

AS A PROFESSIONAL ENGINEER, I HEREBY CERTIFY THAT I AM A LICENSED PROFESSIONAL ENGINEER IN THE STATE OF MAINE, LICENSE NO. 10049. I HAVE REVIEWED THIS DRAWING AND AM NOT PROVIDING ANY DESIGN SERVICES TO THE CLIENT. I AM NOT PROVIDING ANY DESIGN SERVICES TO THE CLIENT. I AM NOT PROVIDING ANY DESIGN SERVICES TO THE CLIENT.

158 DANFORTH ST. PORTLAND, MAINE 04102
(207) 775-2655

FILE:	1070_CIVIL
JN:	1070
SCALE:	NTS
DESIGNED BY:	WHS
DRAWN BY:	ADG
CHECKED BY:	WHS



DRAWING NO.
C-44