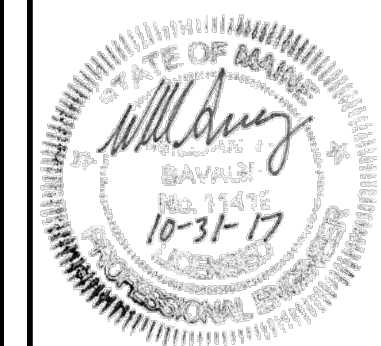


| | |
|------------|----------|
| ISSUED FOR | BY |
| CITY APP. | WHS |
| | 10/31/17 |

DRAWING NAME: **SITE DETAILS - 1**
 PROJECT NAME: **40 O'BRIEN STREET RESIDENTIAL INFILL**
 CLIENT: **215 FORESIDE ROAD, LLC.**
 215 FORESIDE ROAD FAUMOTH, MAINE 04105

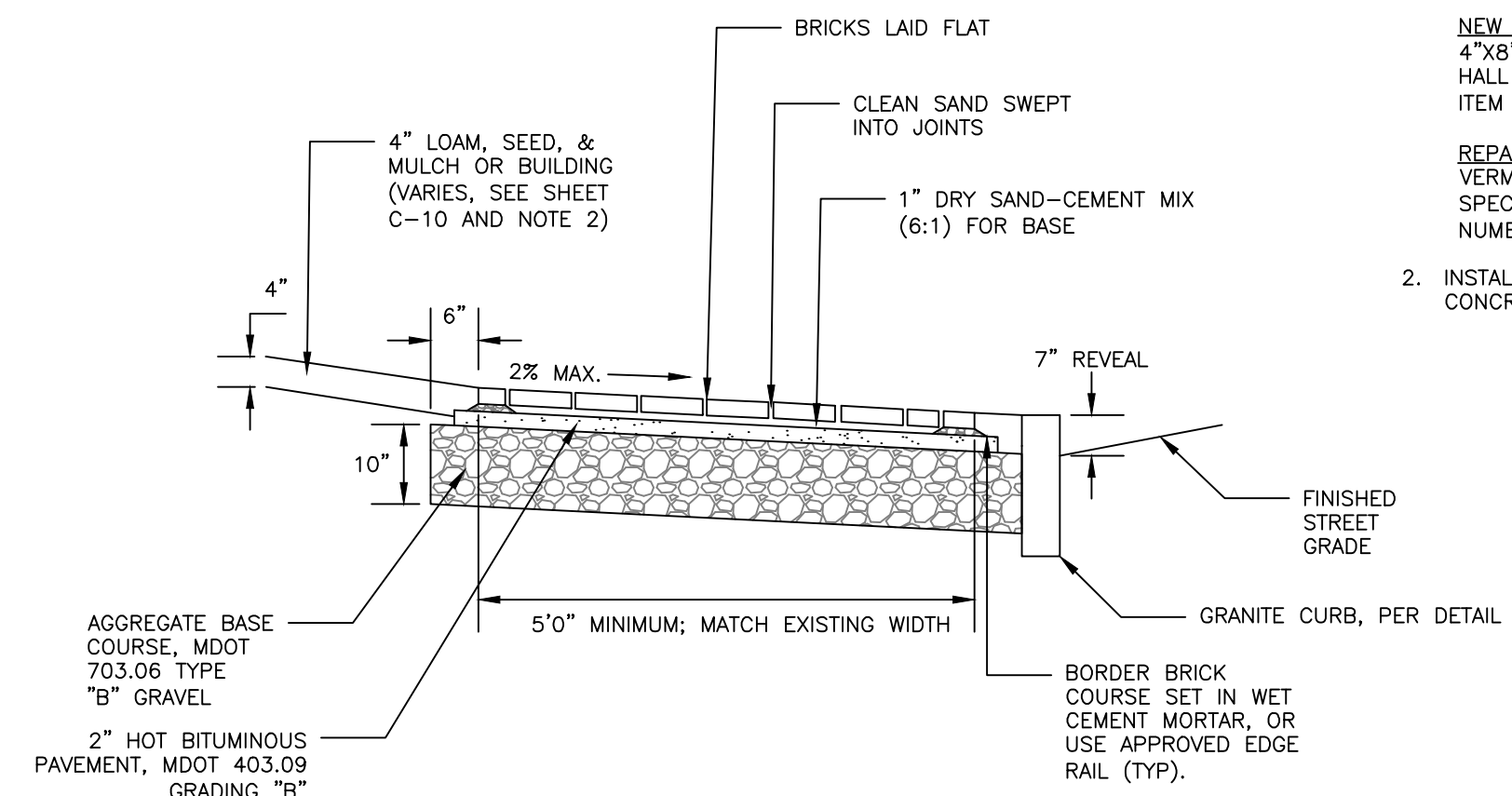
A C O R N
 ENGINEERING, INC.
 158 BANKFOURTH ST. PORTLAND, MAINE 04102
 (207) 775-2655

| | |
|--------------|------------|
| FILE: | 1070_CIVIL |
| JN: | 1070 |
| SCALE: | NTS |
| DESIGNED BY: | WHS |
| DRAWN BY: | ADG |
| CHECKED BY: | WHS |

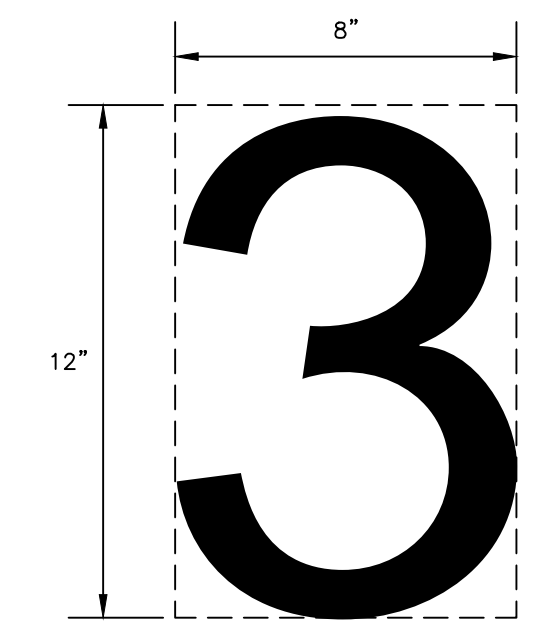


DRAWING NO.
C-40

- NOTES:**
- BRICKS TO BE USED:
 - NEW CONSTRUCTION:** 4"x8" PINE HALL PATHWAY PAVER BRICK; MFG. BY PINE HALL BRICK CO., MADISON, NORTH CAROLINA. LACHANCE ITEM #193623; PINE HALL PATHWAY PAVER BRICK.
 - REPAIR/MAINTENANCE TO EXISTING BRICK SIDEWALKS:** VERMONT PAVER; SUPPLIED BY GAGNE AND SONS. SPECIFICATION NUMBER: "VERMONT PAVER BRICK", ITEM NUMBER #VBBB
 - INSTALL BRICK FLUSH UP TO BUILDING, PAVEMENT, STAIRS, CONCRETE SURFACES, CURB OR LANDSCAPED AREAS.

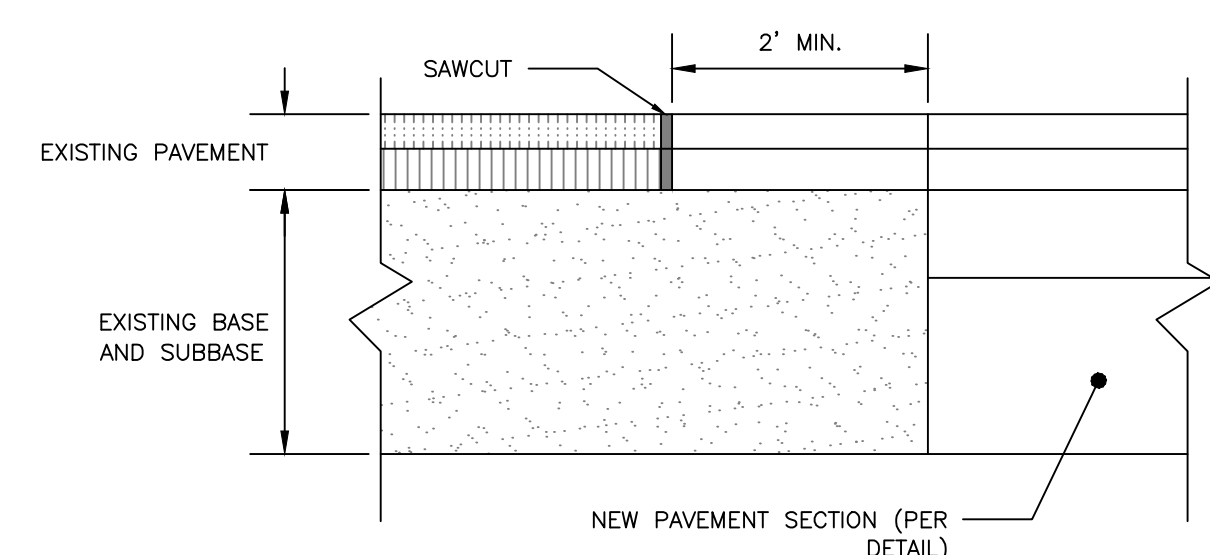


BRICK SIDEWALK WITH BITUMINOUS BASE DETAIL
NOT TO SCALE



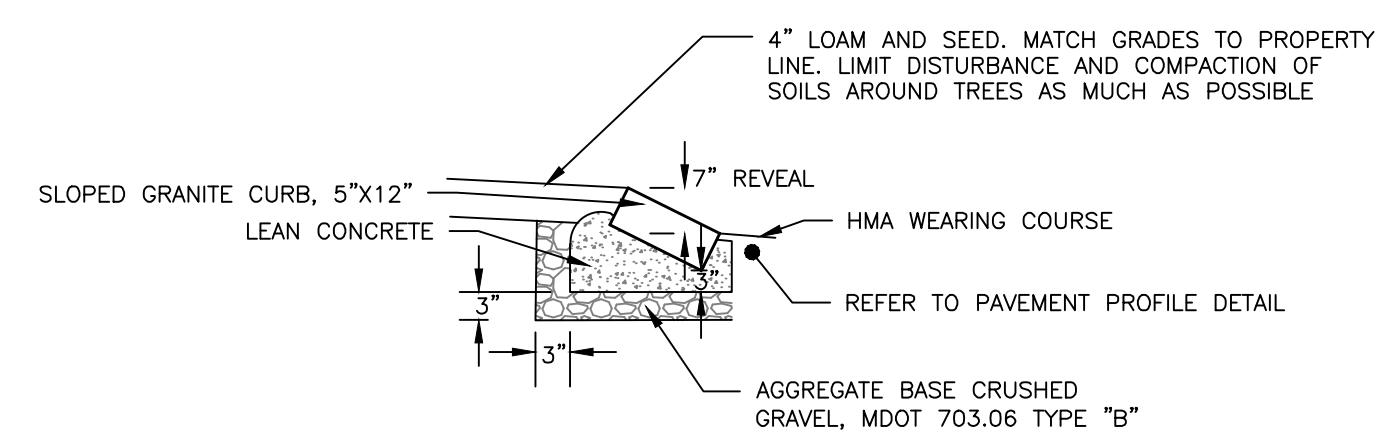
- NOTES:**
- NUMBERS TO BE PAINTED AS THE SAME COLOR AS THE CORRESPONDING PARKING SPACE.
 - BOTTOM OF NUMBER TO BE FLUSH WITH THE FRONT OF THE PARKING SPACE.
- PARKING STALL NUMBER DETAIL**
NOT TO SCALE

- NOTES:**
- SAWCUT EXISTING PAVEMENT AND REMOVE 2' STRIP OF EXISTING PAVEMENT. APPLY BITUMINOUS TACK COAT PRIOR TO PLACEMENT OF NEW BITUMINOUS PAVEMENT.
 - THE NEW PAVEMENT SECTION SHALL MEET THE CITY OF PORTLAND LOCAL BITUMINOUS PAVEMENT SECTION DETAIL AT A MINIMUM OR THE EXISTING PAVEMENT AND AGGREGATE BASE AND SUBBASE DEPTH WHICHEVER IS GREATER.

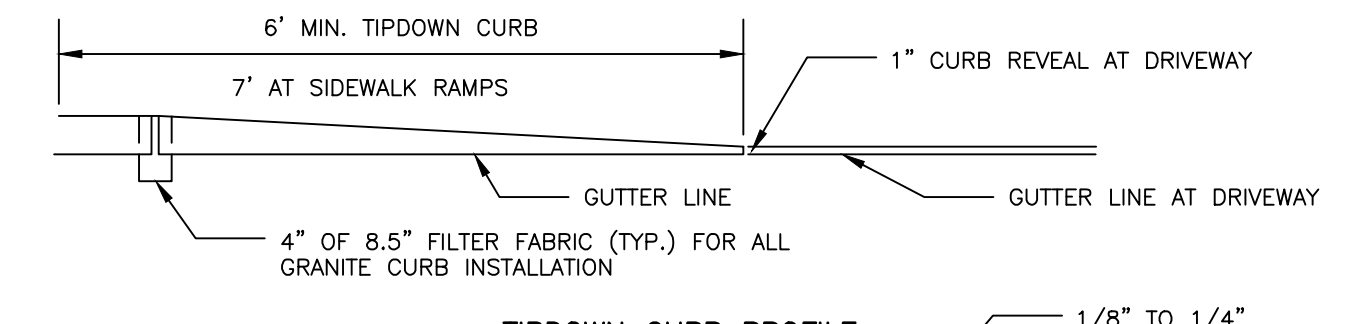


PAVEMENT SAWCUT DETAIL
NOT TO SCALE

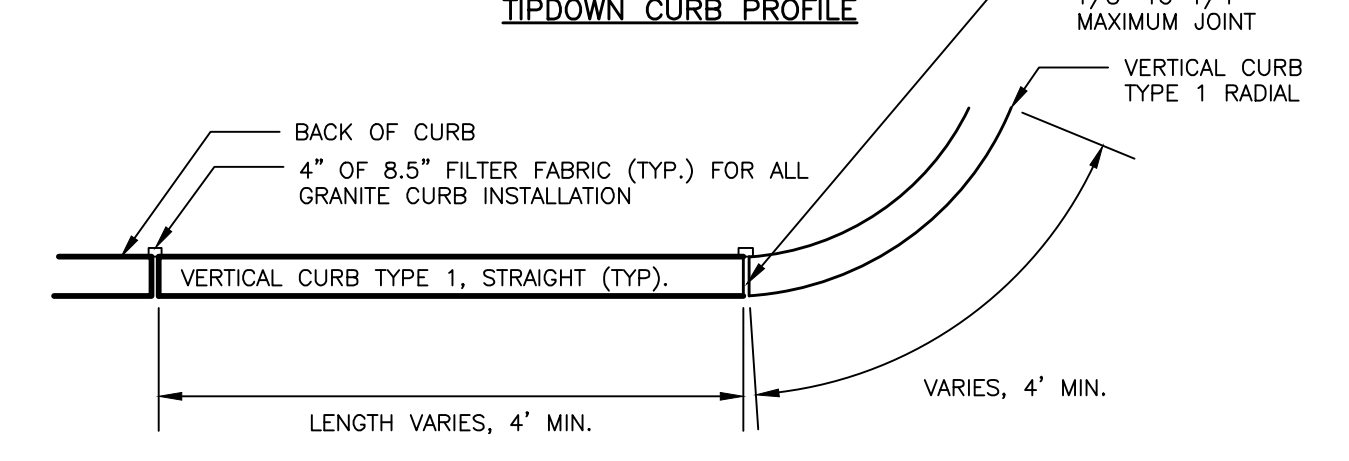
- NOTES:**
- NO INDIVIDUAL PIECES OF CURB ARE TO BE SHORTER THAN 4 LF WITH THE EXCEPTION OF RADIAL CURB.
 - CURB TO BE RESET IN ACCORDANCE WITH MDOT 609.08.
 - CONCRETE SHALL BE MIN. 4,000 PSI
 - INSTALL MORTAR IN BETWEEN GAPS OF CURB



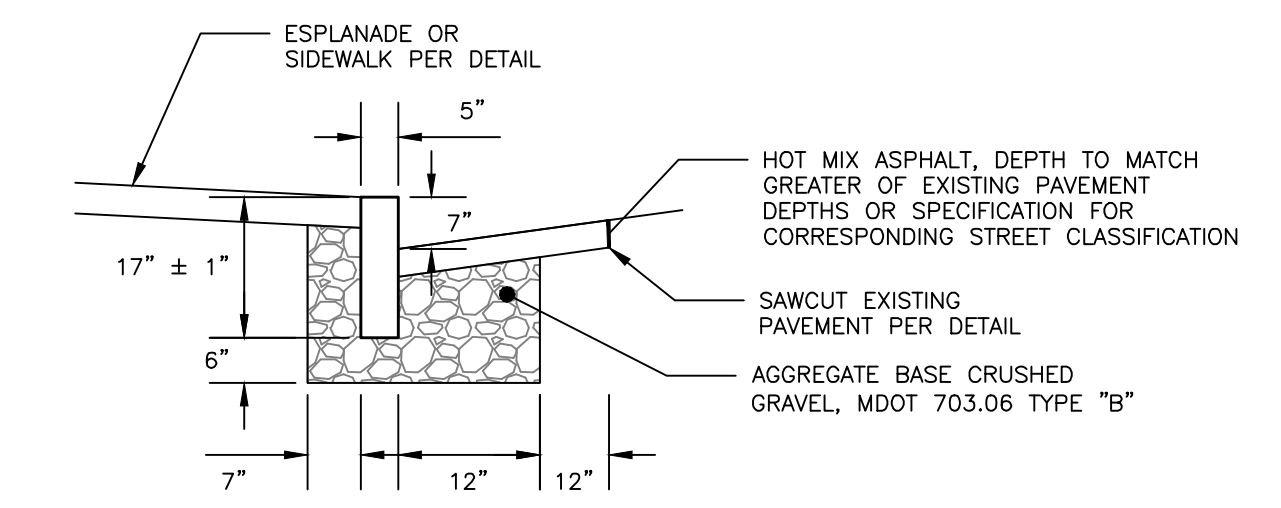
SLOPED GRANITE CURB WITH CONCRETE HAUNCH
NOT TO SCALE



TIPDOWN CURB PROFILE



VERTICAL GRANITE CURB PLAN VIEW

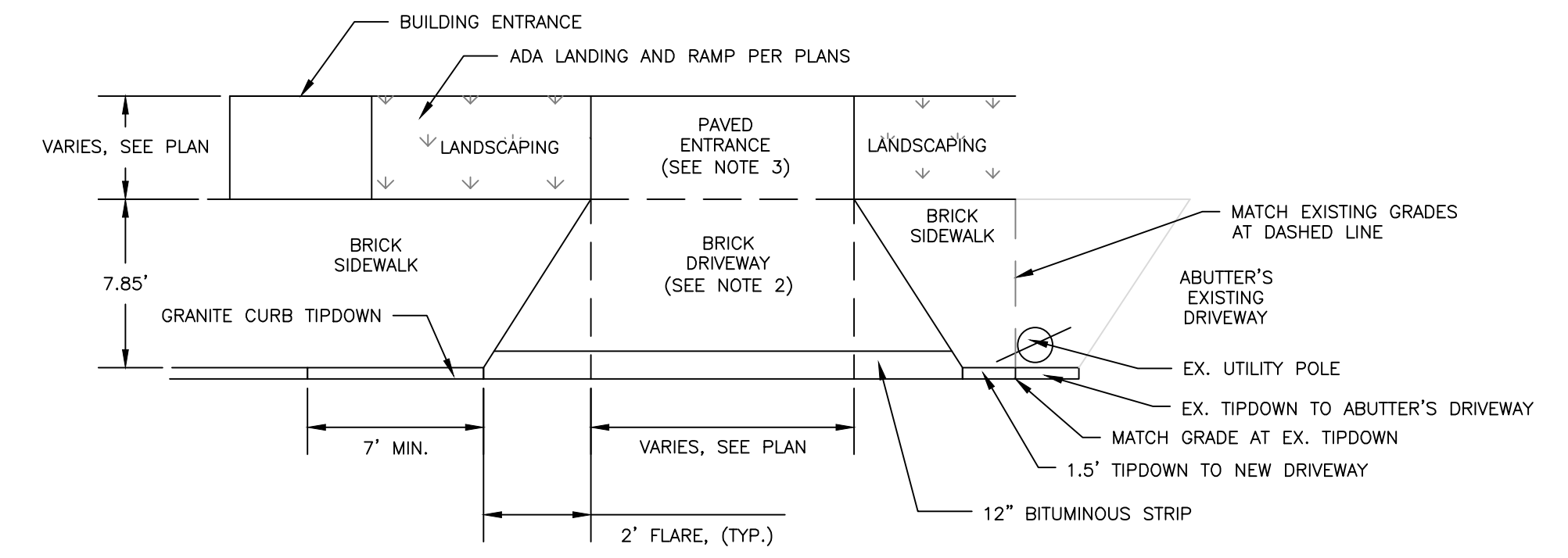


VERTICAL GRANITE CURB CROSS SECTION

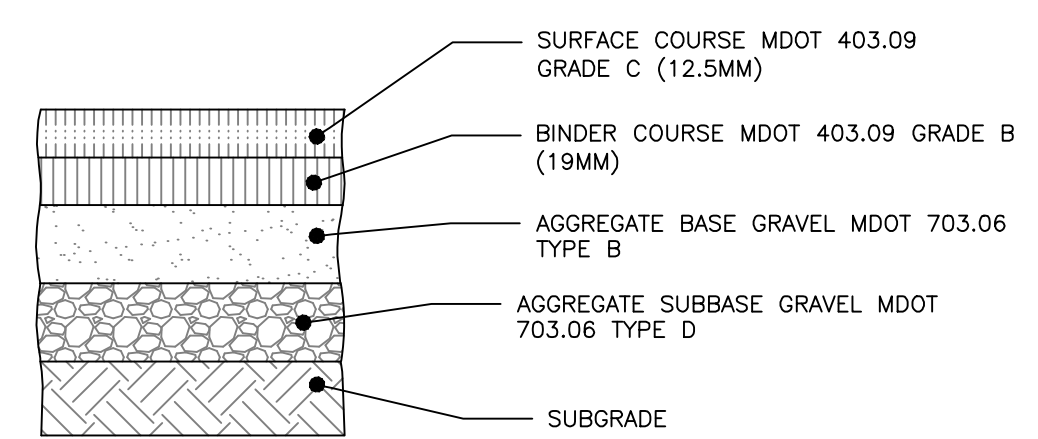
- NOTES:**
- CURB SHALL BE RESET IN ACCORDANCE WITH MDOT 609.08 WITH THE EXCEPTION OF CURB SPACING TO BE INSTALLED PER DETAIL.

VERTICAL GRANITE CURB AND TIPDOWN INSTALLATION IN EXISTING STREETS DETAIL
NOT TO SCALE

- NOTES:**
- REFER TO GRADING & DRAINAGE PLAN FOR SITE GRADING
 - REFER TO BRICK DRIVEWAY APRON WITH BITUMINOUS BASE DETAIL FOR APRON CROSS-SECTION
 - REFER TO BITUMINOUS PAVEMENT PROFILE
 - MATERIALS/DETAILS OF DRIVEWAY APRON TO BE APPROVED BY CITY (DPW AND PLANNING) PRIOR TO IMPLEMENTATION



DRIVEWAY APRON LAYOUT DETAIL
NOT TO SCALE

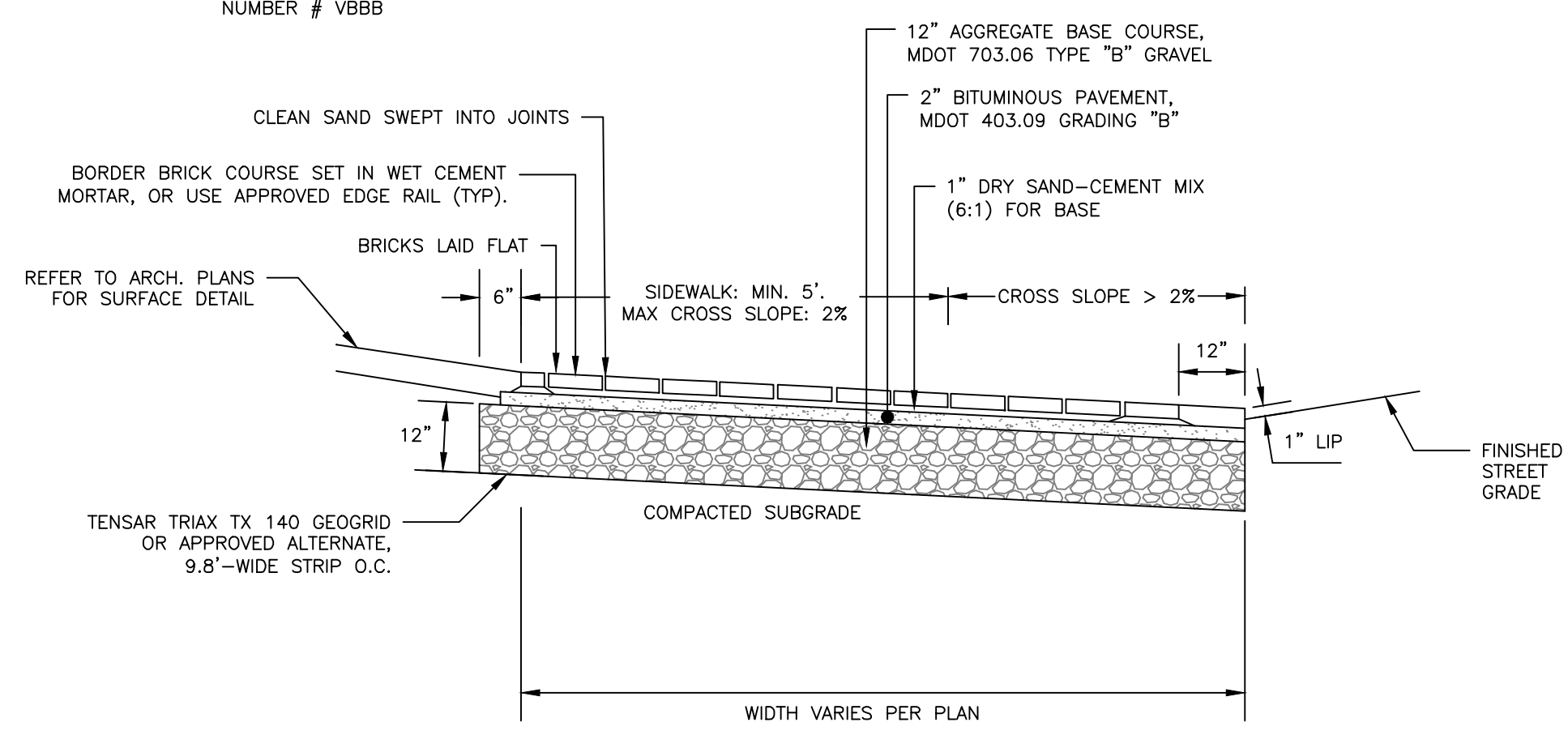


NOTE: COMPACT SUBGRADE TO 95% MAXIMUM DRY DENSITY IN ACCORDANCE WITH ASTM D-1557

| STANDARD | THICKNESS OF LAYERS | LAYERS |
|----------|---------------------|---------------------------------------------|
| 1-1/2" | | SURFACE COURSE MDOT 403.09 GRADE C (12.5mm) |
| 2" | | BINDER COURSE MDOT 403.09 GRADE B (19mm) |
| 3" | | AGGREGATE BASE GRAVEL MDOT 703.06 TYPE B |
| 15" | | AGGREGATE SUBBASE GRAVEL MDOT 703.06 TYPE D |

LOCAL BITUMINOUS PAVEMENT PROFILE: O'BRIEN ST. & DRIVEWAY
NOT TO SCALE

- BRICKS TO BE USED:**
- NEW CONSTRUCTION:** 4"x8" PINE HALL PATHWAY PAVER BRICK; MFG. BY PINE HALL BRICK CO., MADISON, NORTH CAROLINA. LACHANCE ITEM #193623; PINE HALL PATHWAY PAVER BRICK.
- REPAIR/MAINTENANCE TO EXISTING BRICK SIDEWALKS:** VERMONT PAVER; SUPPLIED BY GAGNE AND SONS. SPECIFICATION NUMBER: "VERMONT PAVER BRICK", ITEM NUMBER #VBBB



BRICK DRIVEWAY APRON WITH BITUMINOUS BASE DETAIL
NOT TO SCALE

PERMIT LEVEL
 NOT ISSUED FOR
 CONSTRUCTION