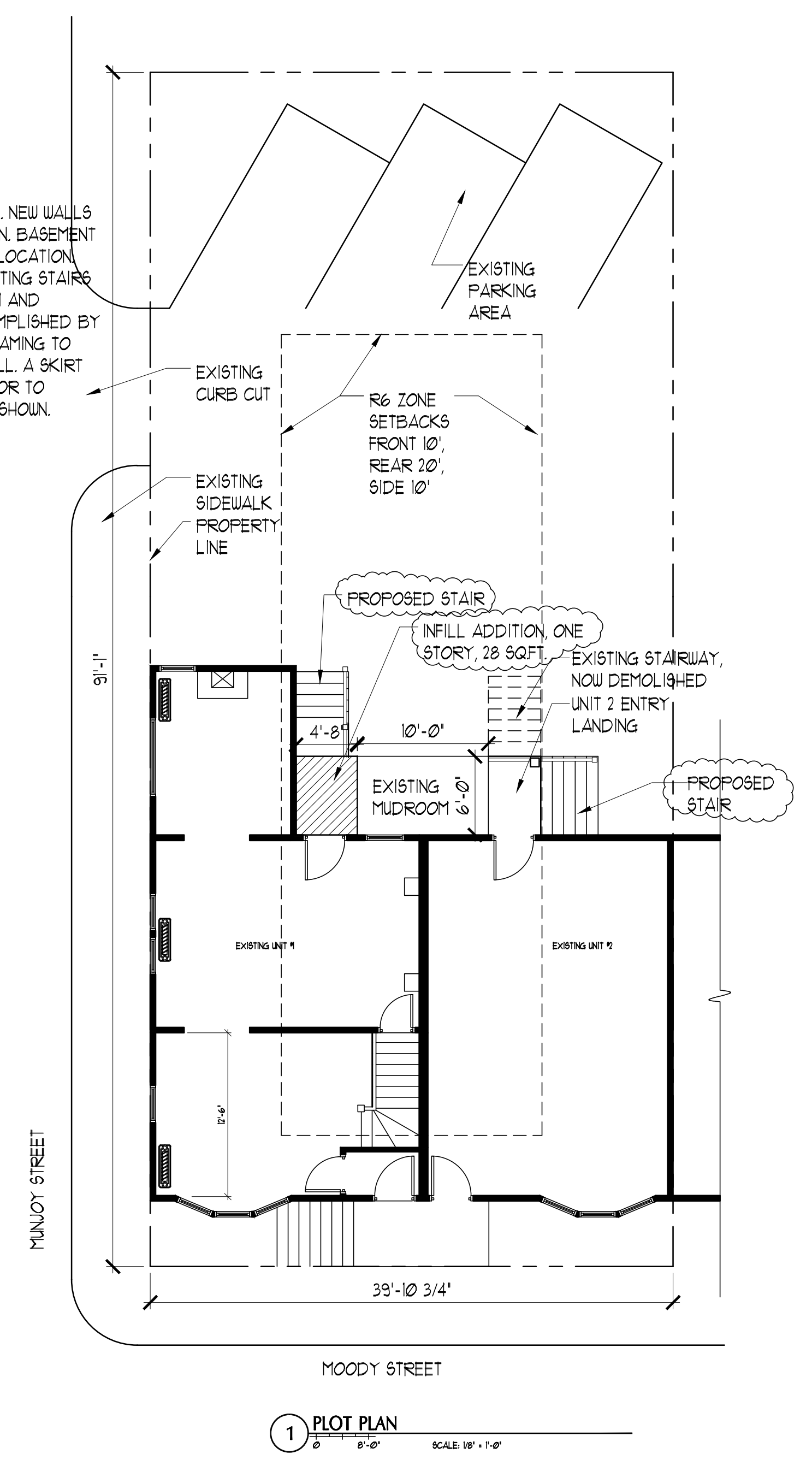
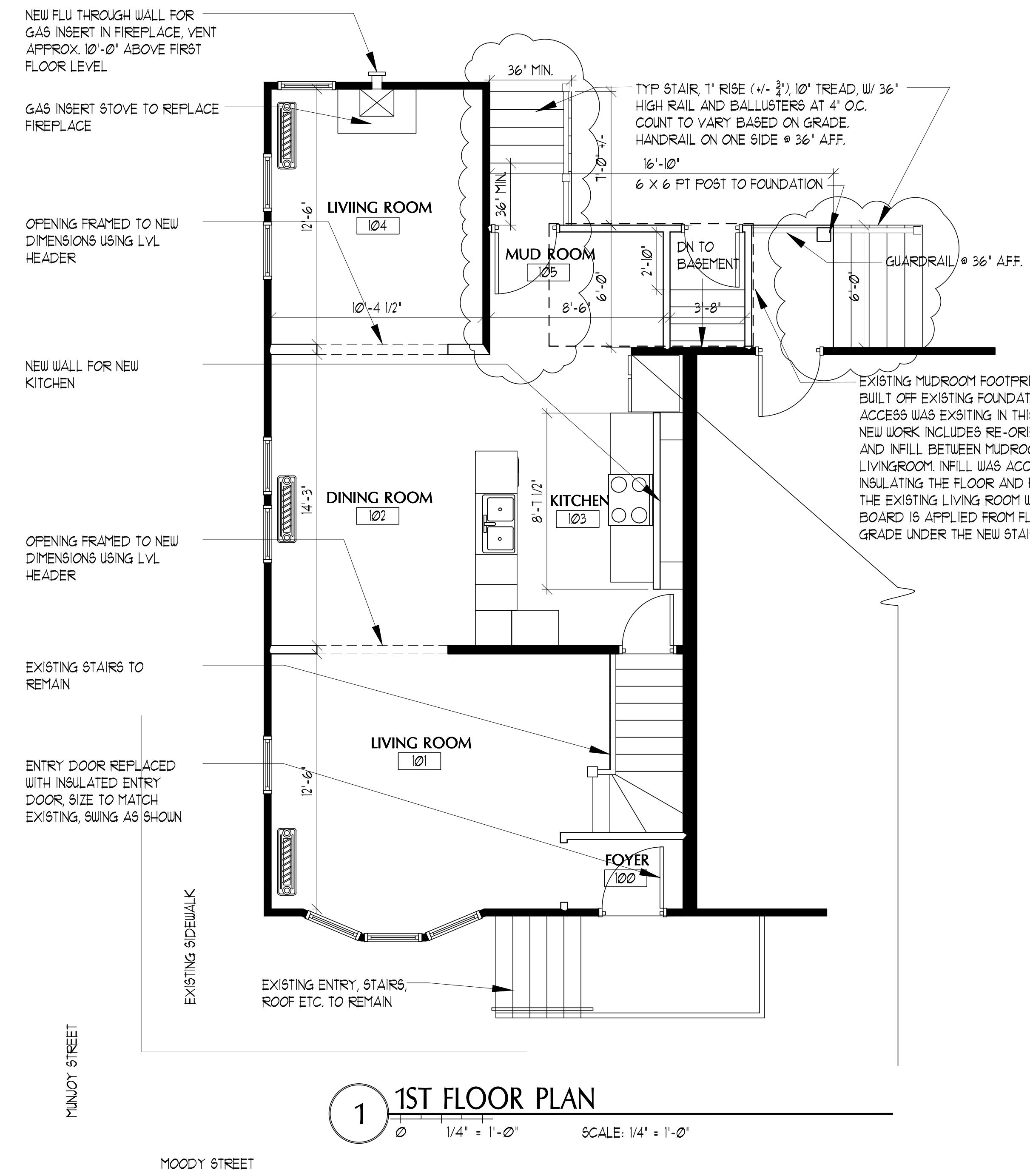
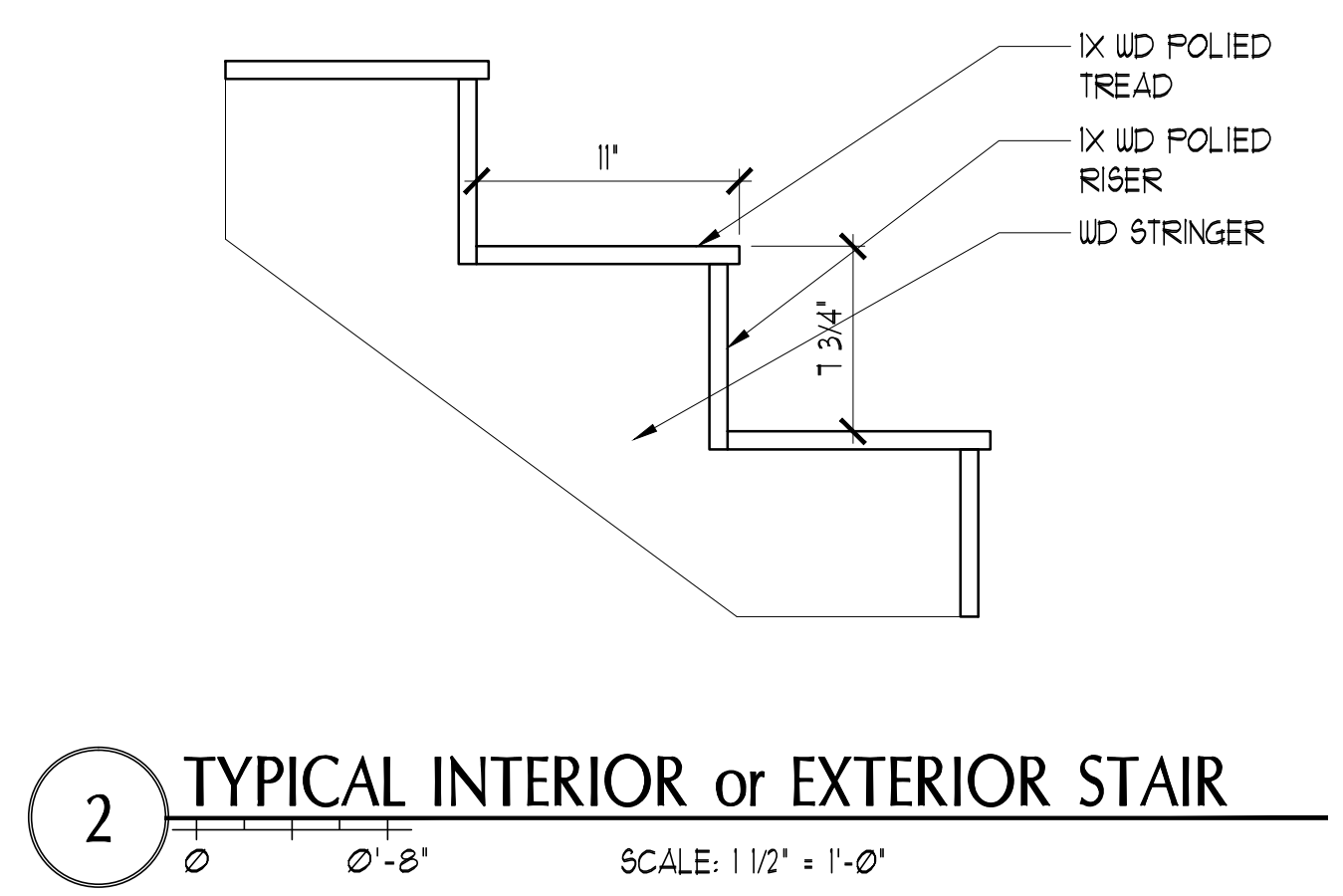
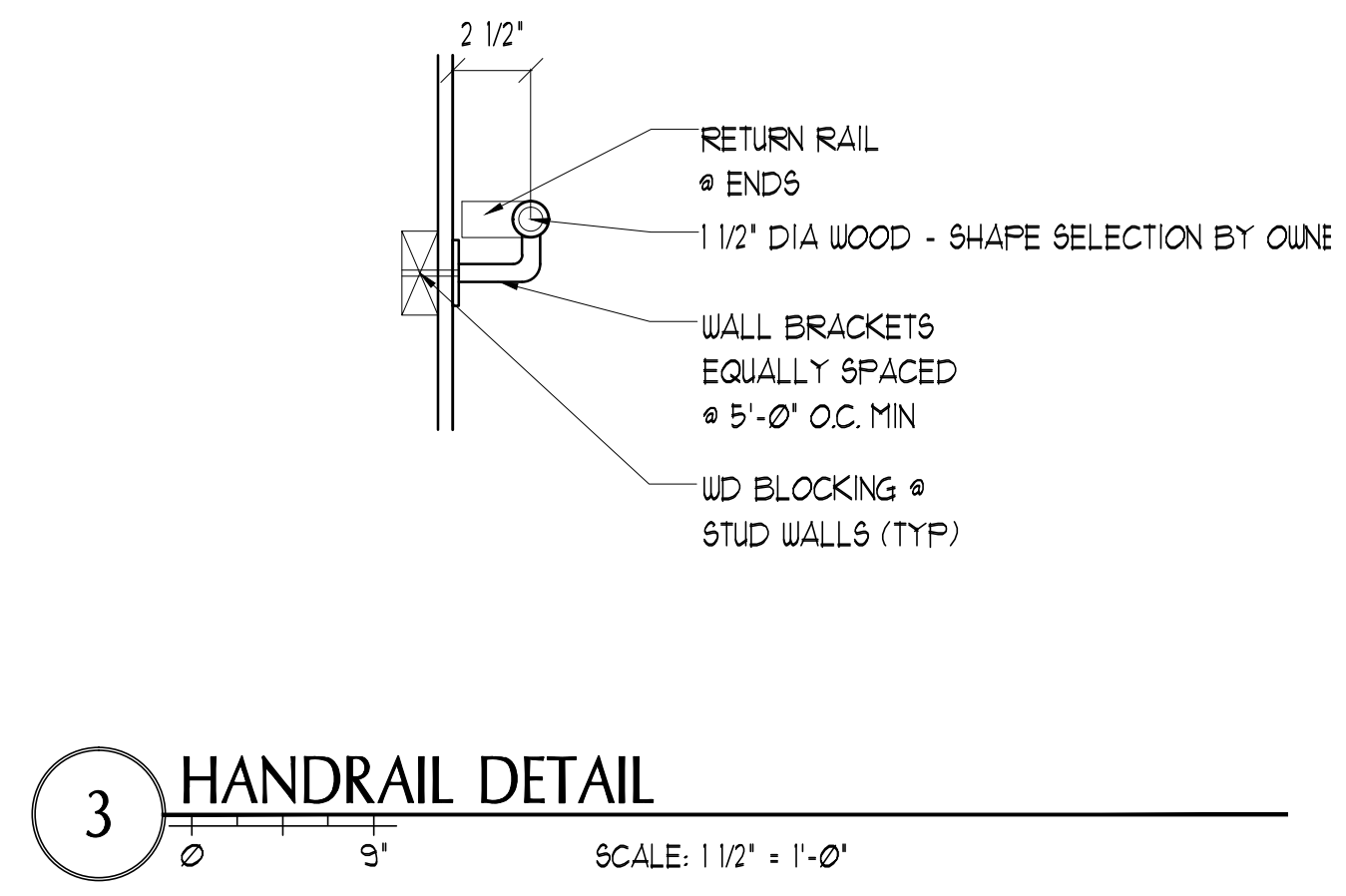
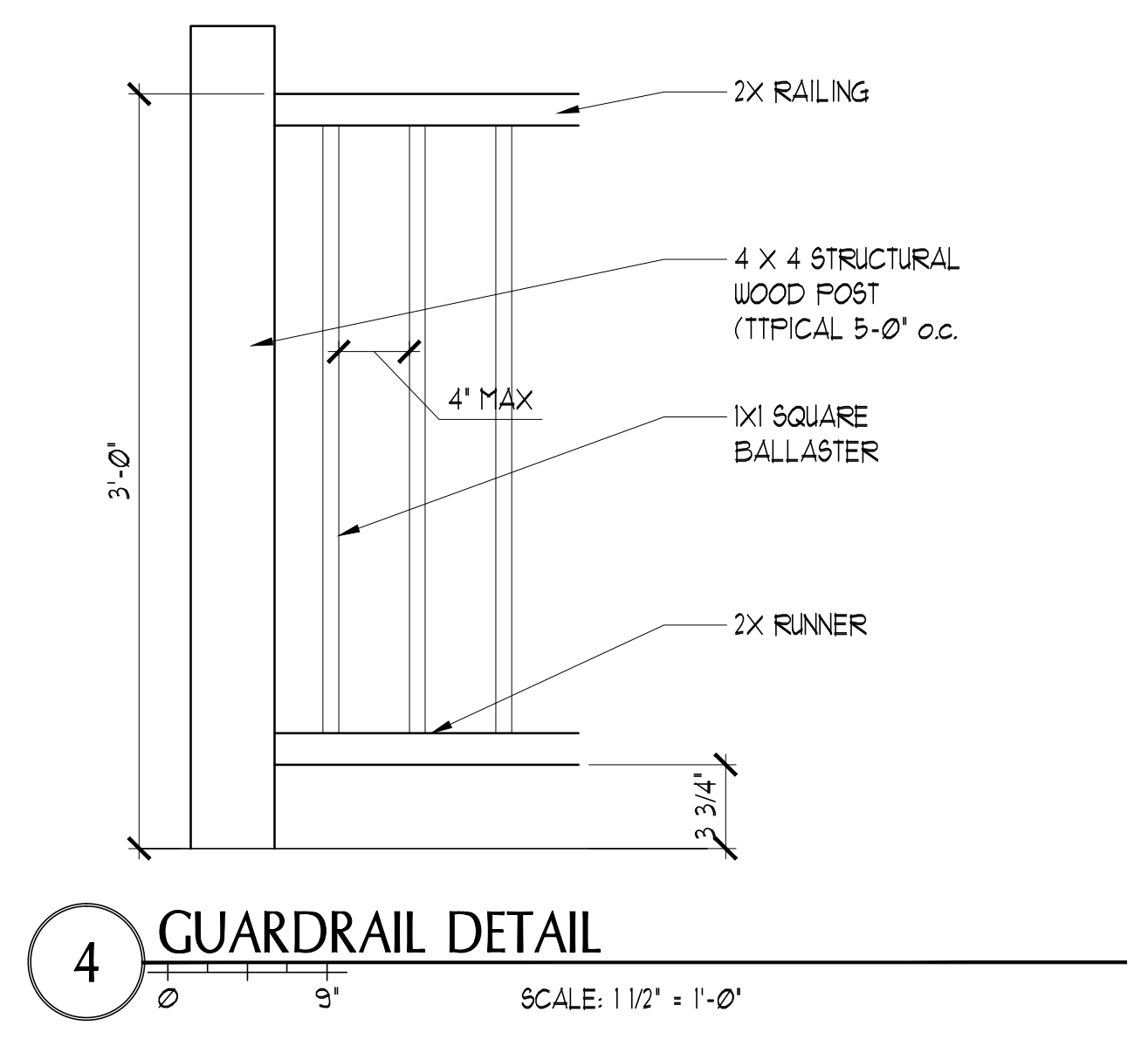


#	DATE	DESCRIPTION
1	10.11.13	RE-ENTRY REV
REVISIONS		
Date Issued: 10.21.13		
Project Number: 13202		
Drawing Scale: AS NOTED		
SHEET NAME		
FLOOR PLAN, PLOT PLAN AND DETAILS		
Drawn By:	KJS	
Checked By:	JCC	

IF THIS SHEET IS NOT 24 X 36 IT IS A REDUCED SCALE PRINT - SCALE ACCORDINGLY



1 PLOT PLAN SCALE: 1/8" = 1'-0"