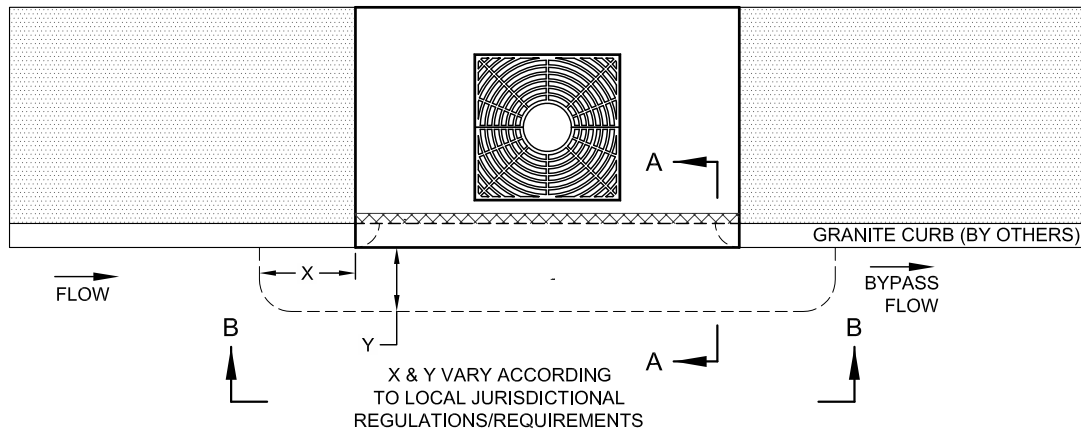
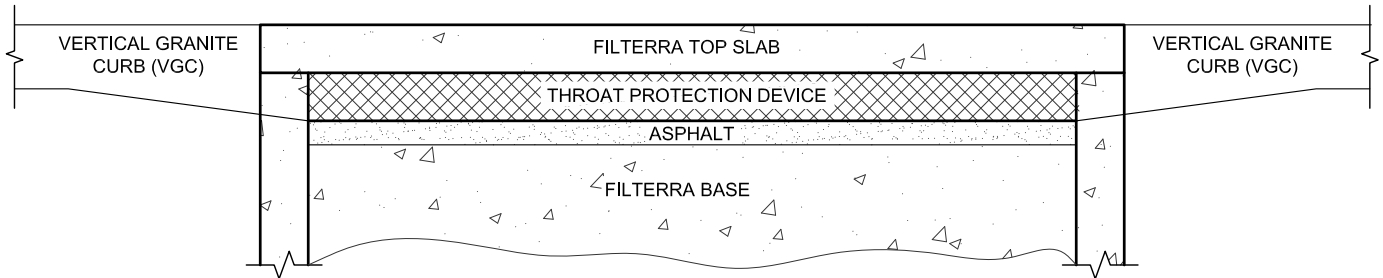


R:\COMMUNICATIONS\DEVELOPMENT\FILTERRA\DRAWINGS TO UPDATE STANDARDS\WORK IN PROGRESS\FILTERRA THROAT OPENING GRANITE MOD DTL.DWG 3/24/2015 4:25 PM



PLAN VIEW

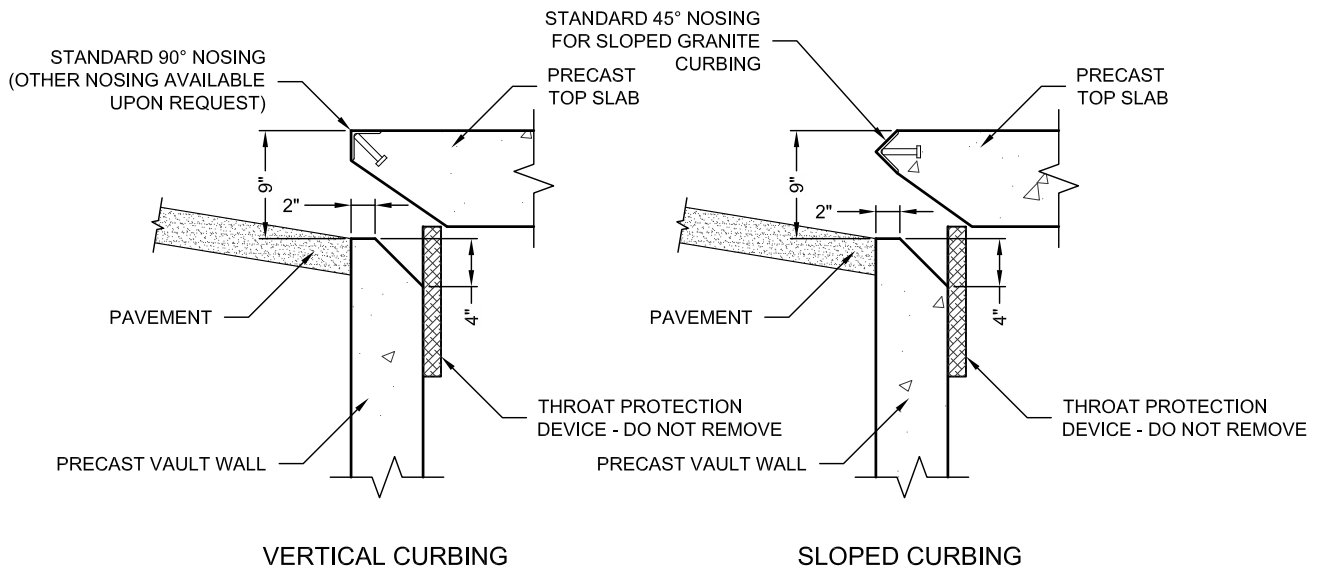
SCALE: 1/4" = 1'-0"



NOTE: CONTRACTOR RESPONSIBLE FOR PROVIDING EROSION & SEDIMENT INLET PROTECTION. THE MEDIA SURFACE MUST NOT RECEIVE ANY CONSTRUCTION SEDIMENT OR DEBRIS.

SECTION VIEW B-B

SCALE: 1/2" = 1'-0"



SECTION VIEW A-A

SCALE: 3/4" = 1'-0"



THIS PRODUCT MAY BE PROTECTED BY ONE OR MORE OF THE FOLLOWING U.S. PATENTS: 6,277,274; 6,569,321; 7,026,495; 7,425,091; 7,033,412. RELATED FOREIGN PATENTS.

The design and information shown on this drawing is provided as a service to the project owner, engineer and contractor by Contech Engineered Solutions LLC or one of its affiliated companies ("Contech"). Neither this drawing, nor any part thereof, may be used, reproduced or modified in any manner without the prior written consent of Contech. Failure to comply is done at the user's own risk and Contech expressly disclaims any liability or responsibility for such use. If discrepancies between the supplied information upon which the drawing is based and actual field conditions are encountered as site work progresses, these discrepancies must be reported to Contech immediately for re-evaluation of the design. Contech accepts no liability for designs based on missing, incomplete or inaccurate information supplied by others.

CONTECH
ENGINEERED SOLUTIONS LLC
www.ContechES.com

9025 Centre Pointe Dr., Suite 400, West Chester, OH 45069
800-338-1122 513-645-7000 513-645-7993 FAX

**FILTERRA MODIFIED THROAT OPENING
FOR GRANITE CURBING - NE
DETAIL**

DATE: 03/24/15

FILE NAME: FILTERRA THROAT OPENING GRANITE MOD DTL

DRAWN: SCK

CHECKED: XXX