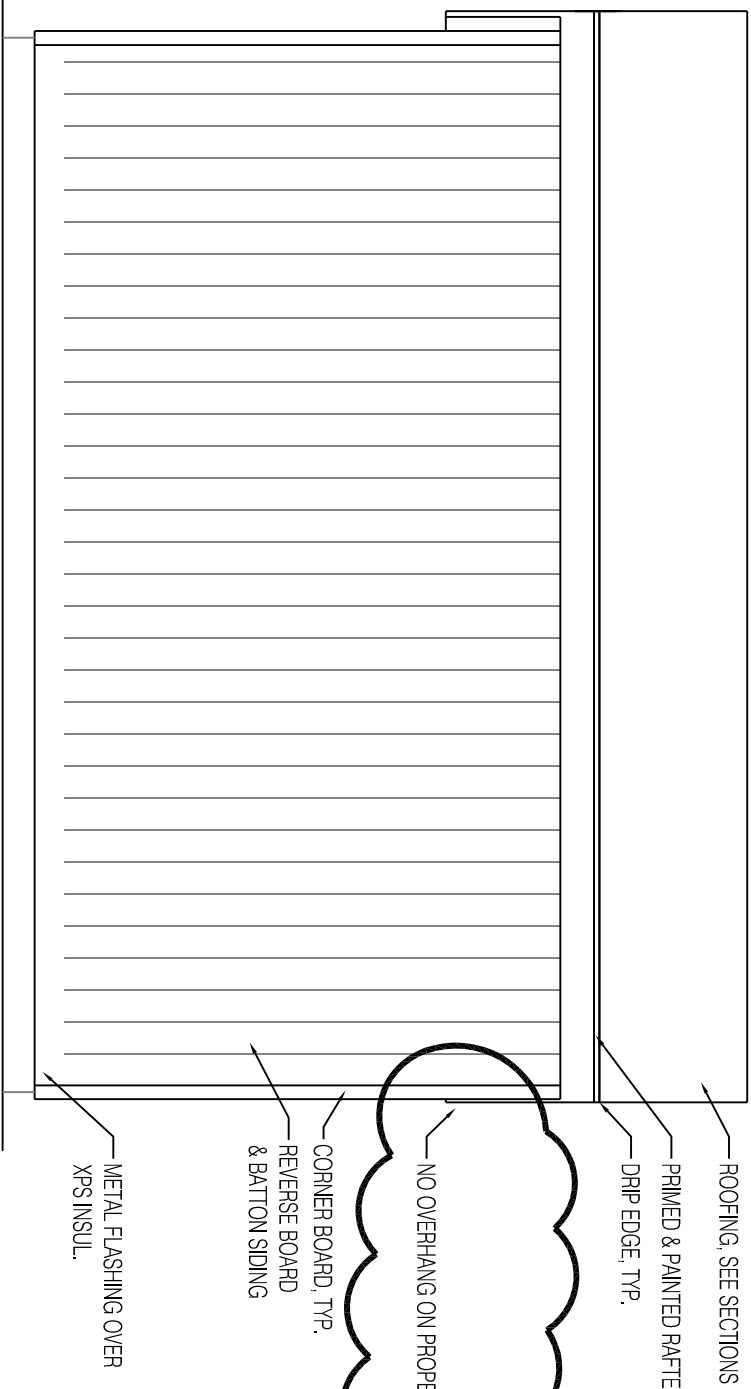
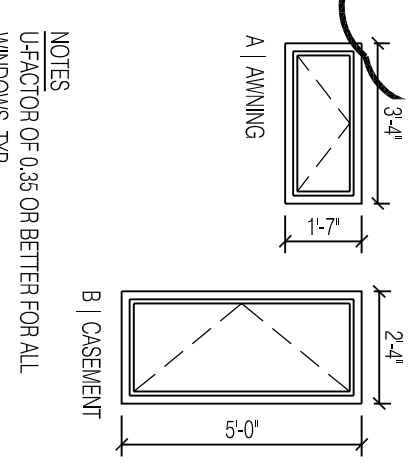


**1** South Elevation  
1/4" = 1'-0"

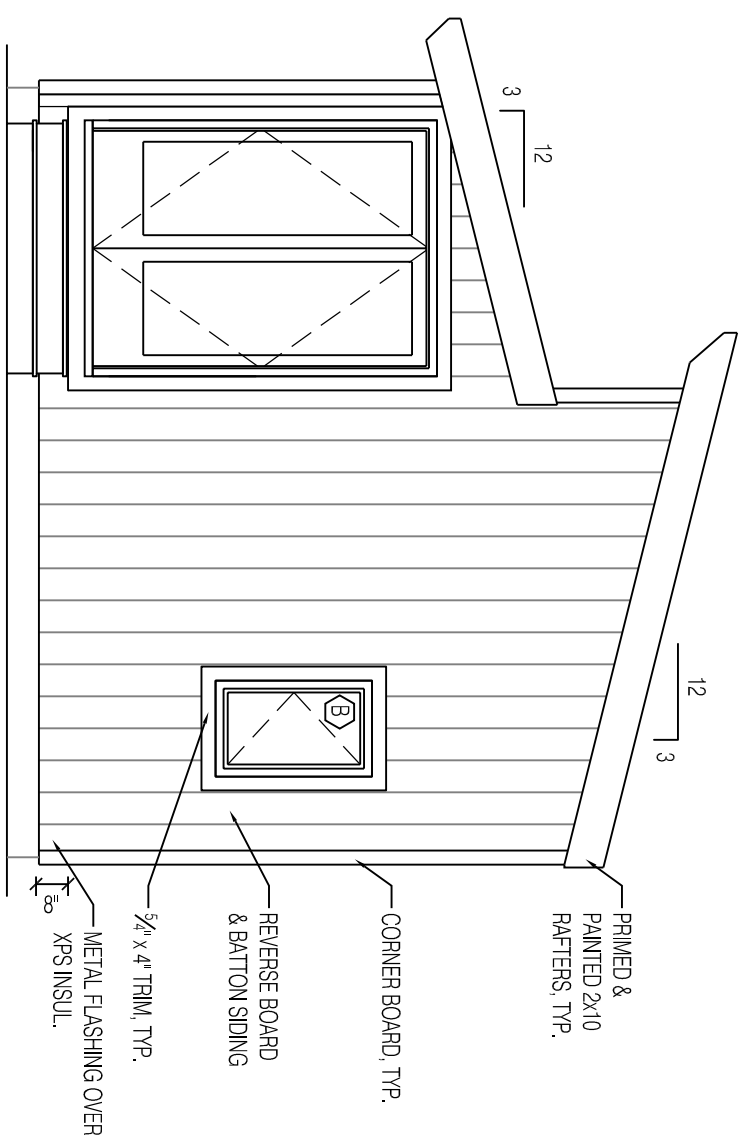


**2** West Elevation  
1/4" = 1'-0"

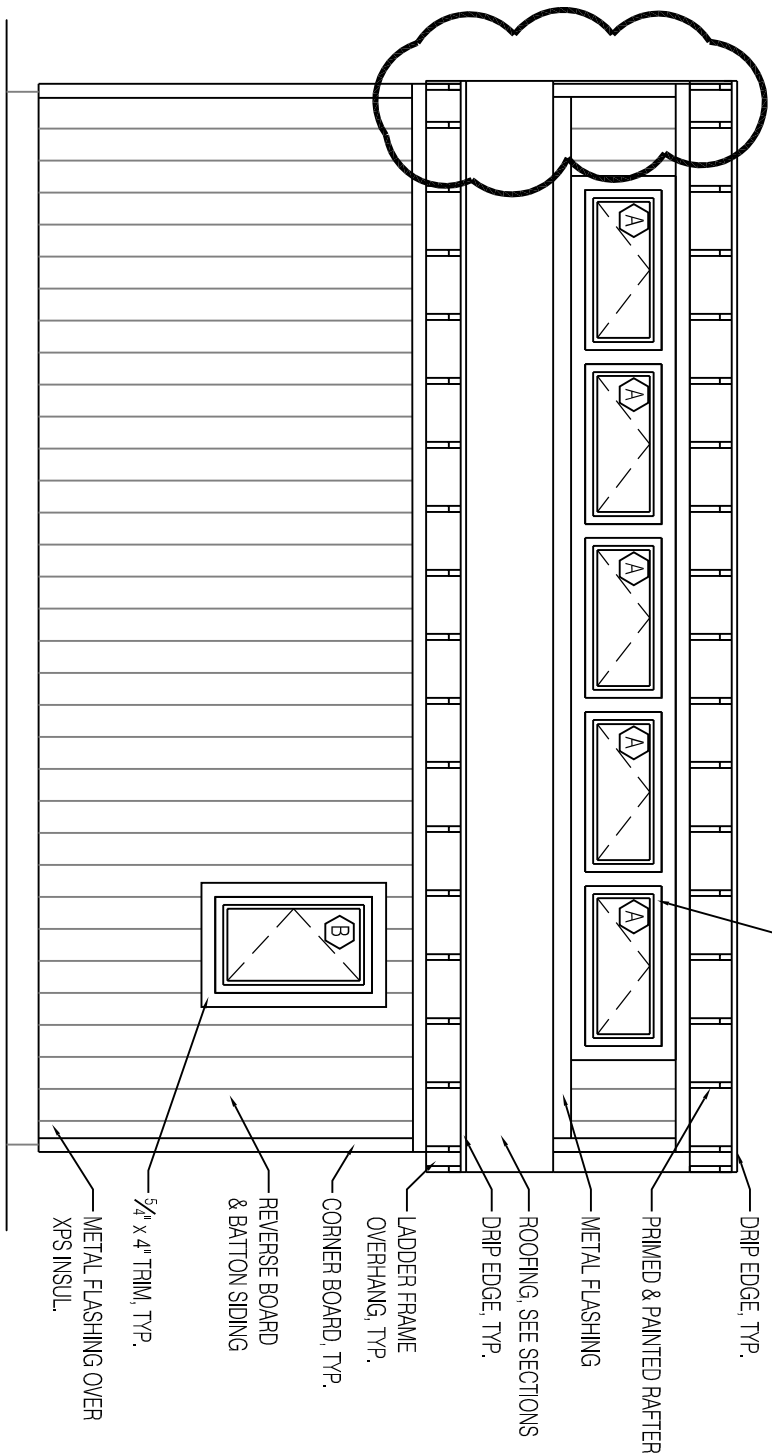


**5** WINDOWS  
1/4" = 1'-0"

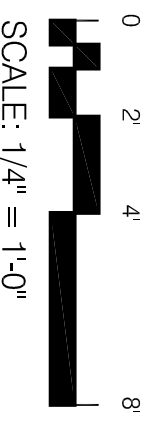
NOTES  
U-FACTOR OF 0.35 OR BETTER FOR ALL WINDOWS, TYP.



**3** North Elevation  
1/4" = 1'-0"



**4** East Elevation  
1/4" = 1'-0"



<b>A-2.1</b>
DATE: 3.31.2015
DRAWN BY: BB