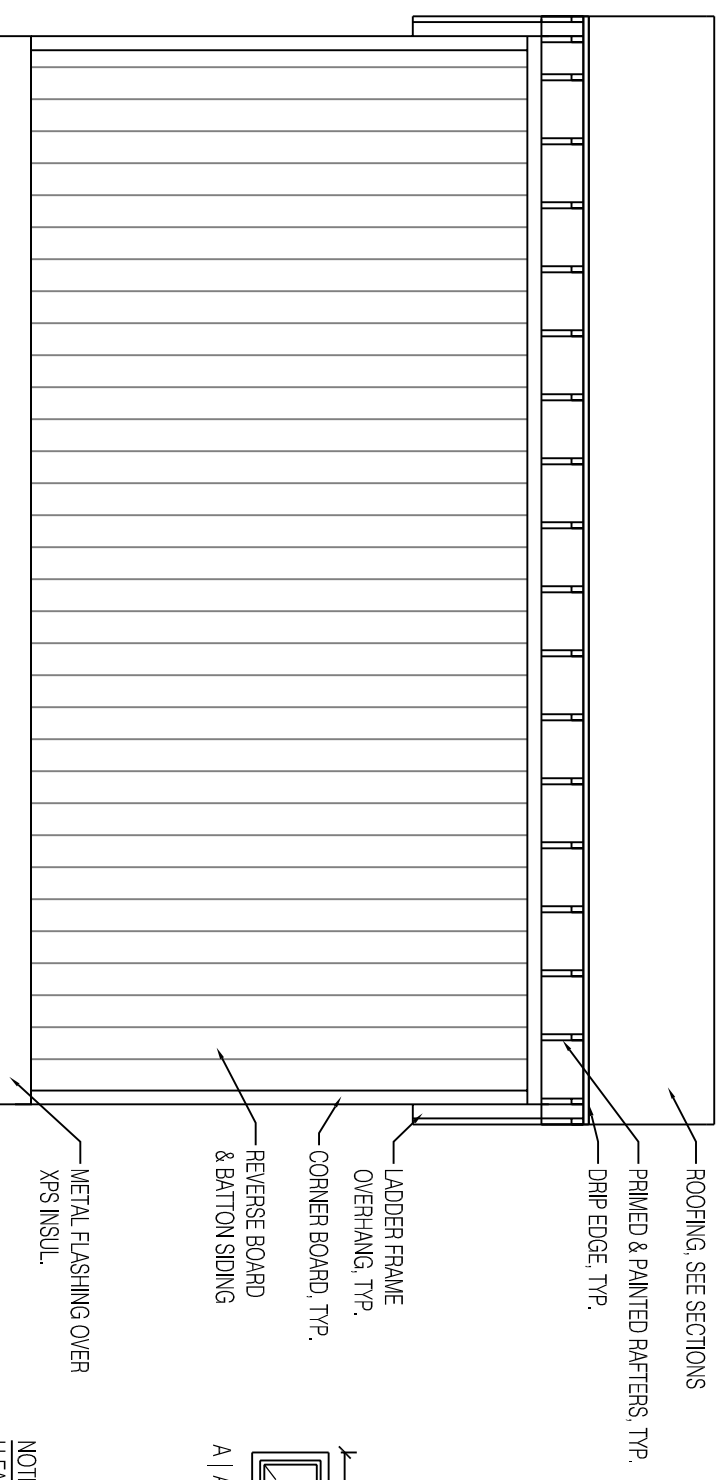
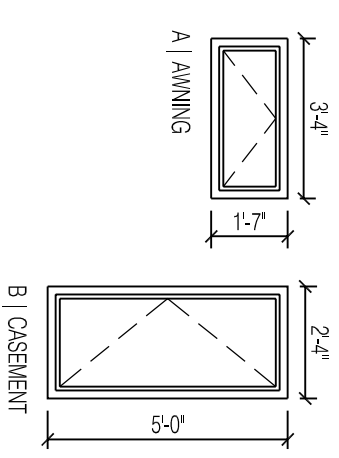


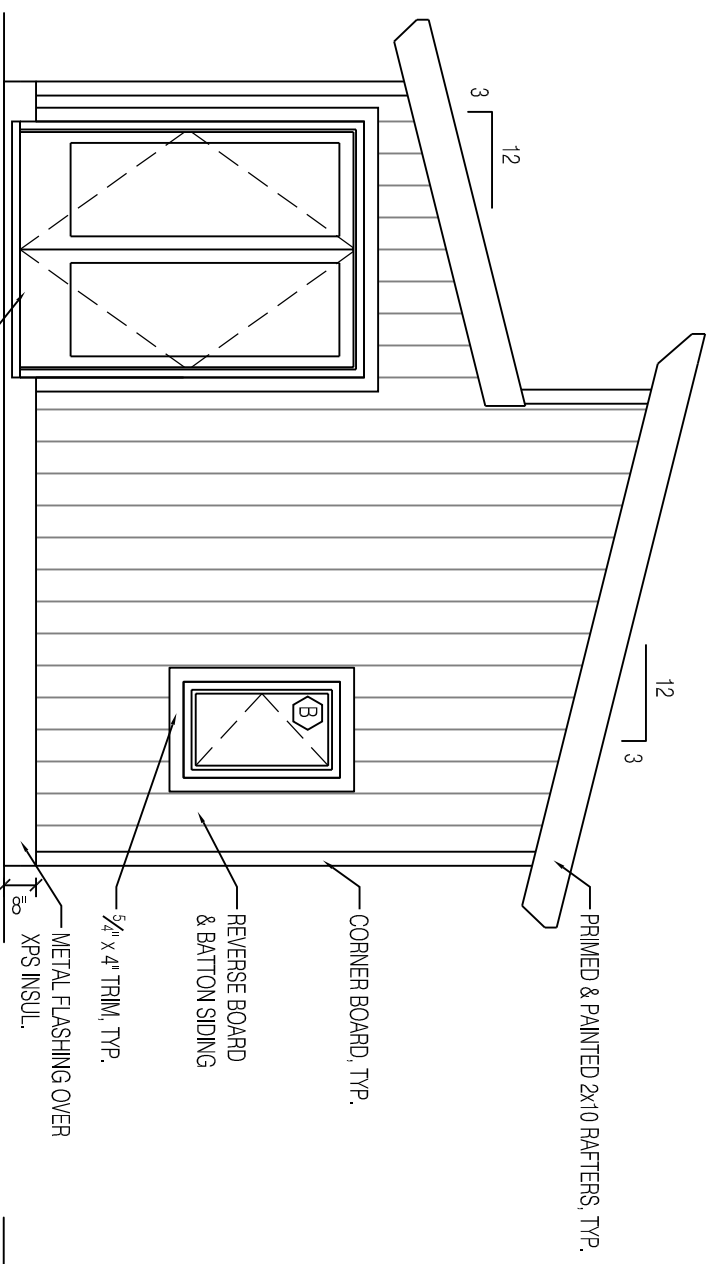
1 South Elevation
1/4" = 1'-0"



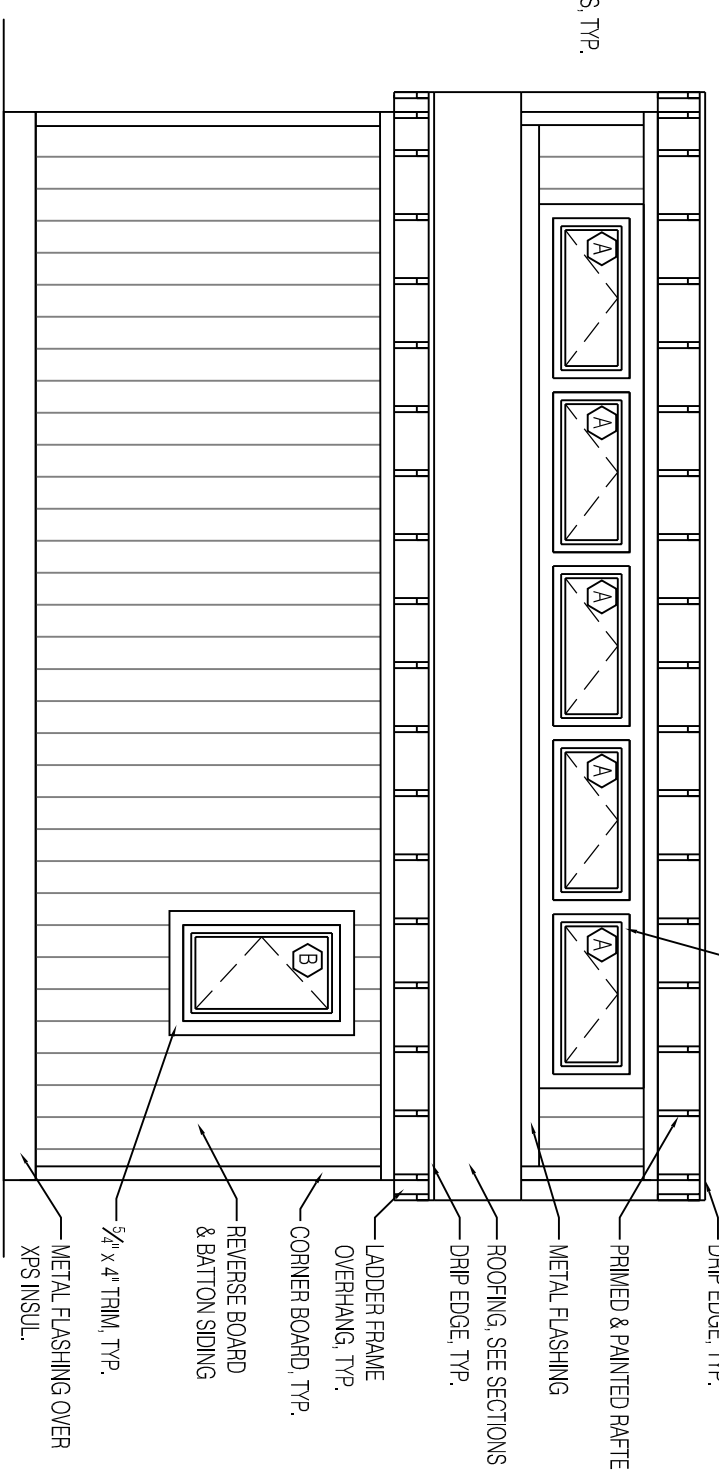
2 West Elevation
1/4" = 1'-0"



NOTES
U-FACTOR OF 0.35 OR BETTER FOR ALL WINDOWS, TYP.
5 WINDOWS
1/4" = 1'-0"



3 North Elevation
1/4" = 1'-0"



4 East Elevation
1/4" = 1'-0"

DATE:	8.14.2014
DRAWN BY:	BB
A-2.1	