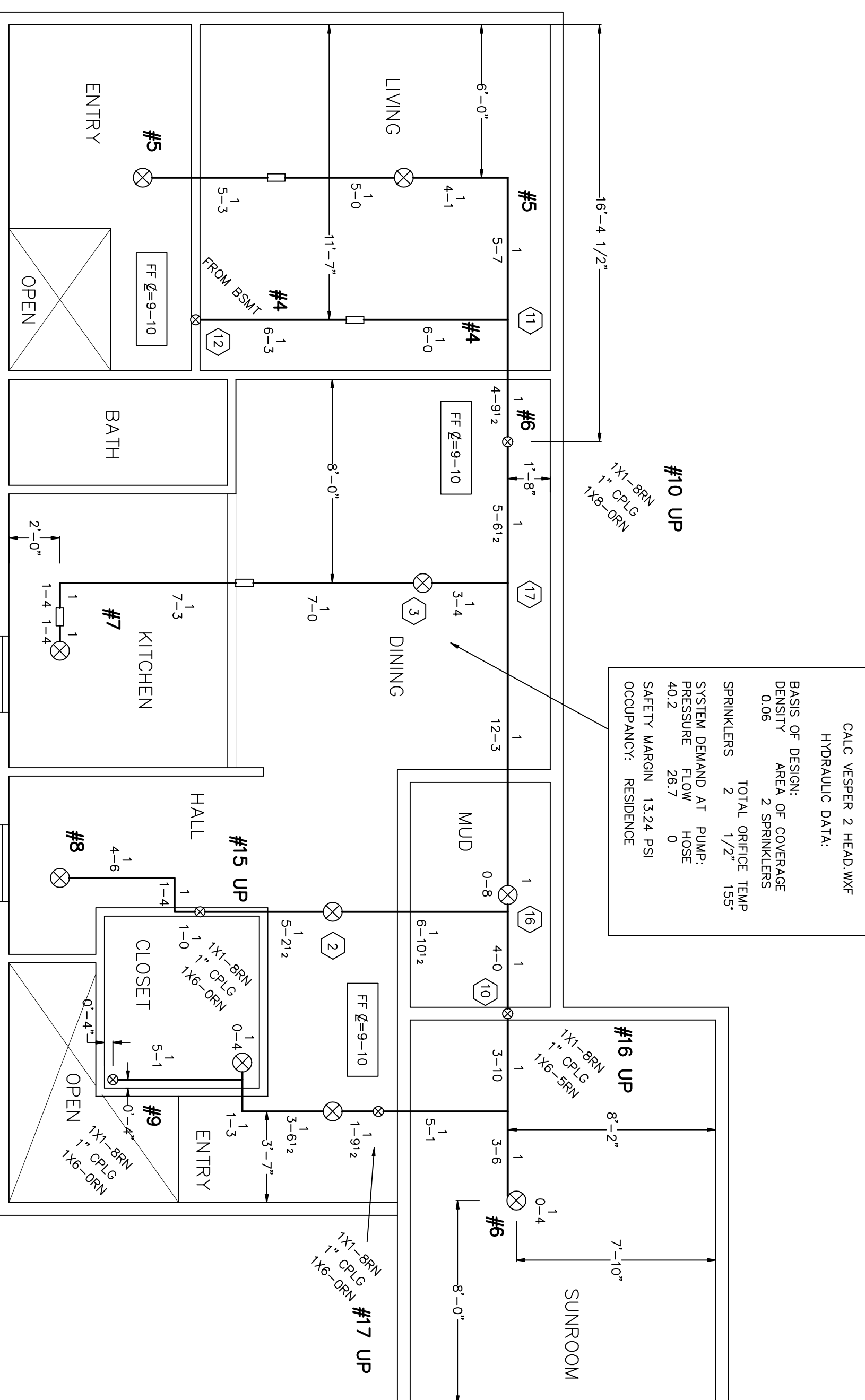


CALC WESPER  
HYDRAULIC DATA

BASE OF DESIGN: 1  
DENSITY: 0.08  
AREA OF COVERAGE: 1  
SPRINKLER: 1  
TOTAL OFFICE TEMP: 155  
TOTAL OFFICE TEMP: 155  
SYSTEM DESIGN AT PUMP: 418  
SYSTEM DESIGN AT HOSE: 18  
PRESSURE: 287  
FLOW: 0  
SAFETY MARGIN: 13.24 PSI  
OCCUPANCY: RESIDENCE

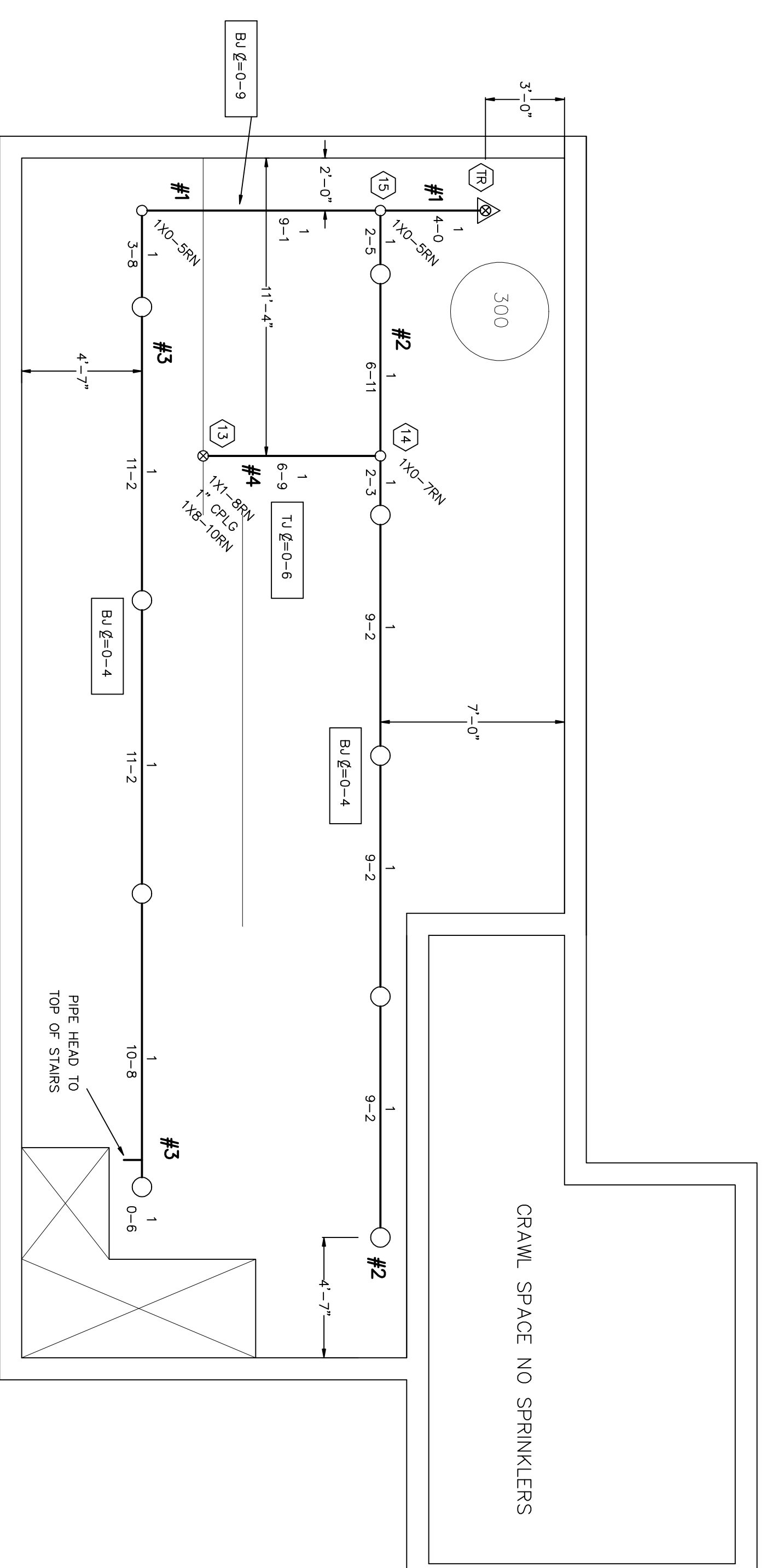
SECOND FLOOR



CALC WESPER 2 HEAD W/FF  
HYDRAULIC DATA

BASE OF DESIGN: 1  
DENSITY: 0.08  
AREA OF COVERAGE: 2  
SPRINKLER: 1  
TOTAL OFFICE TEMP: 155  
TOTAL OFFICE TEMP: 155  
SYSTEM DESIGN AT PUMP: 40.2  
SYSTEM DESIGN AT HOSE: 28.7  
PRESSURE: 40.2  
FLOW: 0  
SAFETY MARGIN: 13.24 PSI  
OCCUPANCY: RESIDENCE

FIRST FLOOR



BASEMENT

GENERAL NOTES

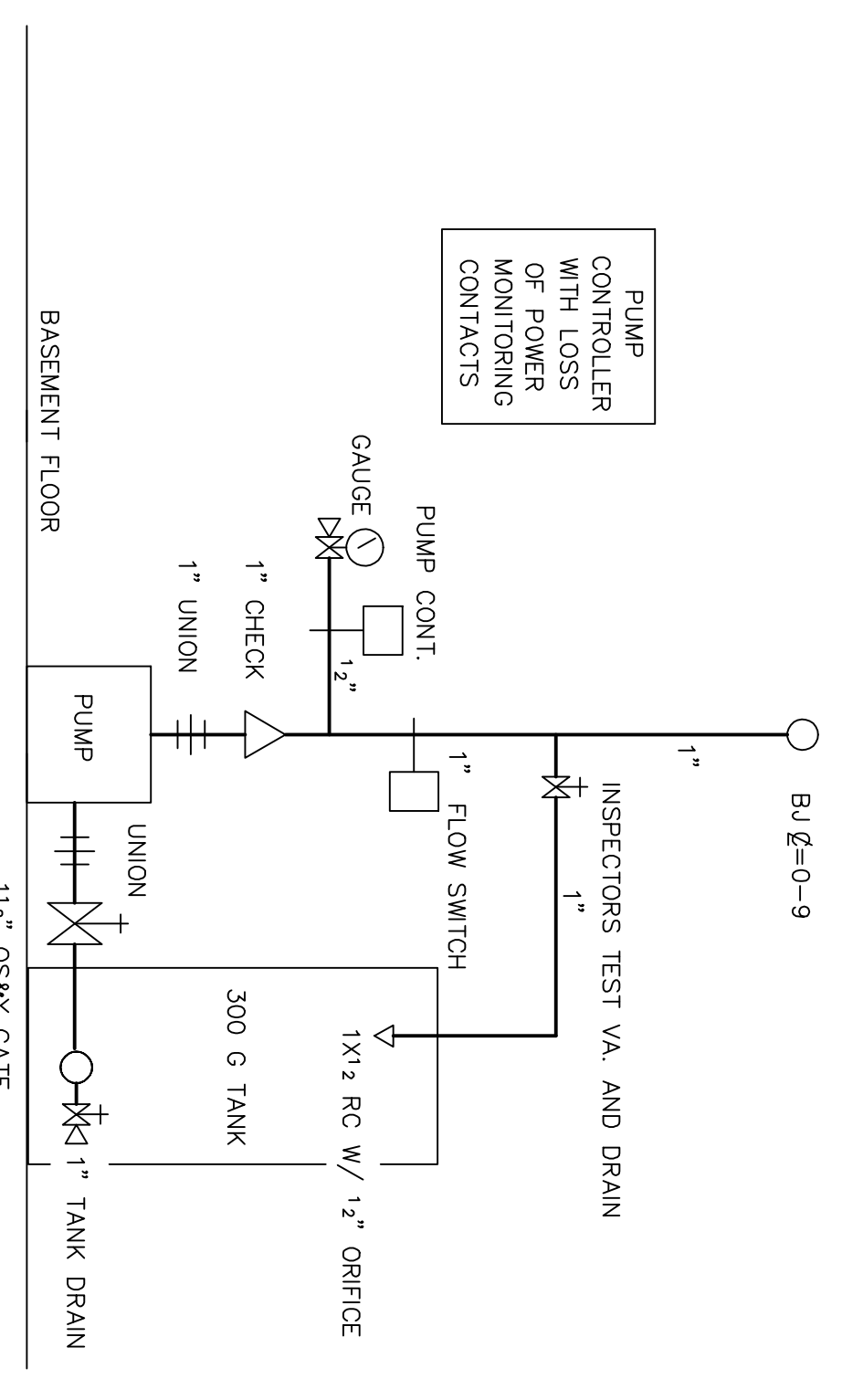
BUYER/OWNER TO MAINTAIN A TEMPERATURE OF ABOVE 40°F, INCLUDING AREAS PROPERLY INSULATED TO MAINTAIN 40°F, TO PREVENT THE SPRINKLER SYSTEM FROM FREEZING.  
ALL DIMENSIONS ARE CENTER TO CENTER U/N  
ALL PIPE TO SCH 40 BLACK STEEL  
ALL SREWED FITTINGS TO BE STD. WT. C.I. BLACK U/N  
ALL DIMENSIONS FROM FACE OF STUDS

LEGEND

- ▷ VIKING FREEDOM RES. WHITE SIDEWALLS LIVING SPACE
- 165" VIKING O R BRASS UPRIGHT BASEMENT
- ⊗ VIKING FREEDOM RES. WHITE CONCEALED PENDENT LIVING SPACE
- J  $\bar{L}$ =XX BOTTOM OF JOISTS TO CENTERLINE OF PIPE
- TU  $\bar{L}$ =XX TOP OF JOISTS TO CENTERLINE OF PIPE
- BU  $\bar{L}$ =XX BOTTOM OF JOISTS TO CENTERLINE OF PIPE
- RISE OR DROP NIPPLE
- ⊗ RISER BETWEEN FLOORS

SYSTEM CLASSIFICATION

A WET PIPE NFPA #13D SPRINKLER SYSTEM TO BE INSTALLED IN ALL AREAS OF THE RESIDENCE TO MEET NFPA, STATE, AND CITY OF PORTLAND CODES.



RISER SECTION

REVISIONS	DATE	APPROVED BY	DATE	SUPERVISED BY	HAKK 1-21-12	TITLE

DEAN & ALLYN, INC.  
FIRE PROTECTION - SPECIAL HAZARD  
PO BOX 709, GRAY, MAINE 04039  
(207)857-5846 FAX: (207)857-5847