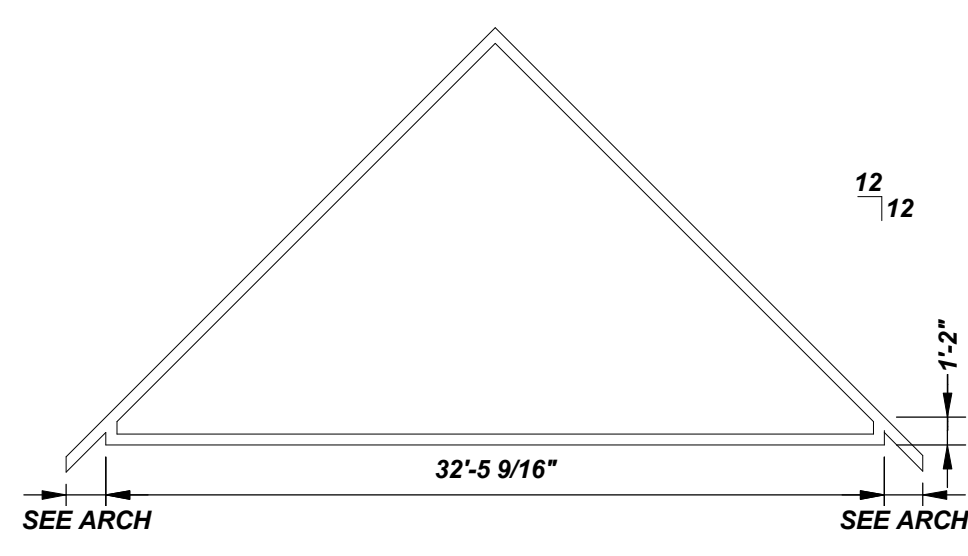


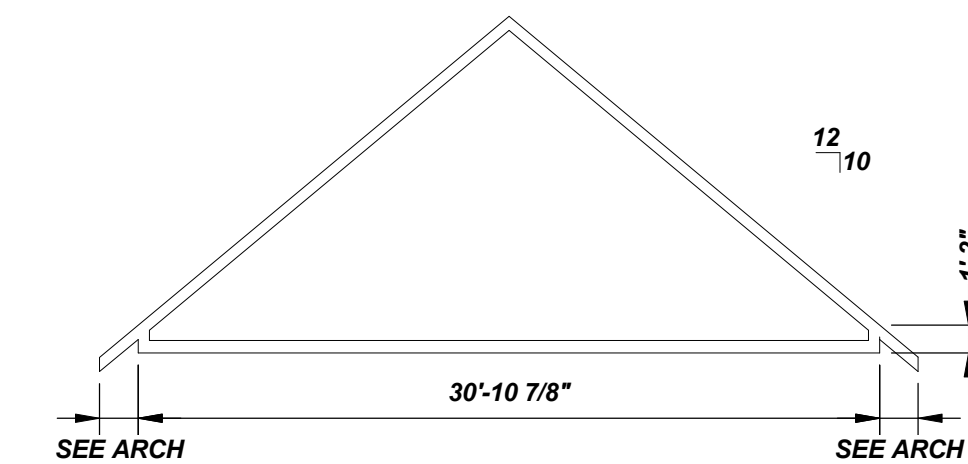
SECOND FLOOR FRAMING PLAN (BUILDING A, OTHERS SIM)

- 1/8"=1'-0"
 NOTES:
 1. TOP OF 3/4" SHEATHING EL 132'-5 1/2" BUILDING A, 131'-5 1/2" BUILDING B, 133'-11 1/2" BUILDING C/D.
 2. --- INDICATES SPAN OF 3/4" T&G SHEATHING, U.N.O.
 3. [Symbol] INDICATES 2x4/2x6 BEARING WALL ALIGNED W/STRUCTURAL FRAMING ABOVE. AT LOCATIONS WHERE PLYWOOD SHTG IS NOT ATTACHED TO STUDS, PROVIDE SOLID BLKG AT 1/3 POINTS.

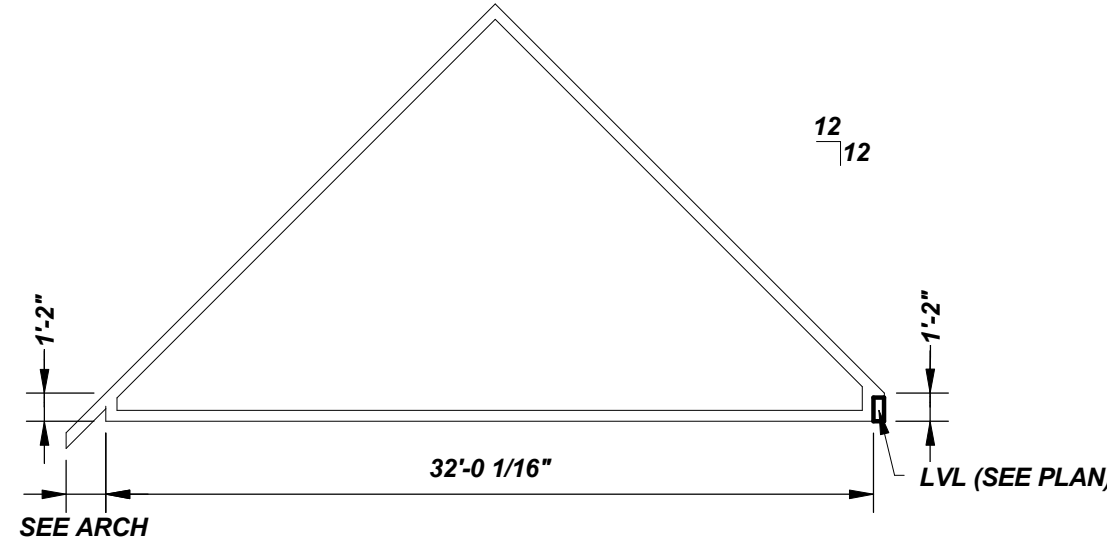
HEADER SCHEDULE	
MARK	TYPE
H1	(2)2x8 BOX
H2	(2)2x10 BOX
ALL HEADERS HAVE (1)2x6/2x4 JACK STUD & (1)2x6/2x4 KING STUD, U.N.O.	



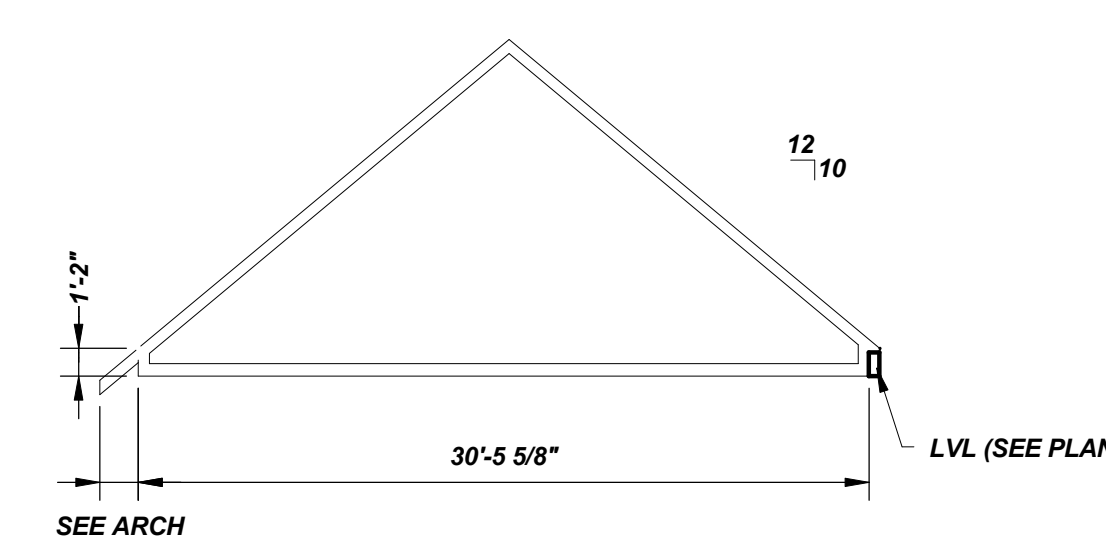
TRUSS T1



TRUSS T3



TRUSS T2



TRUSS T4

TRUSS ELEVATIONS
 1/8"=1'-0"

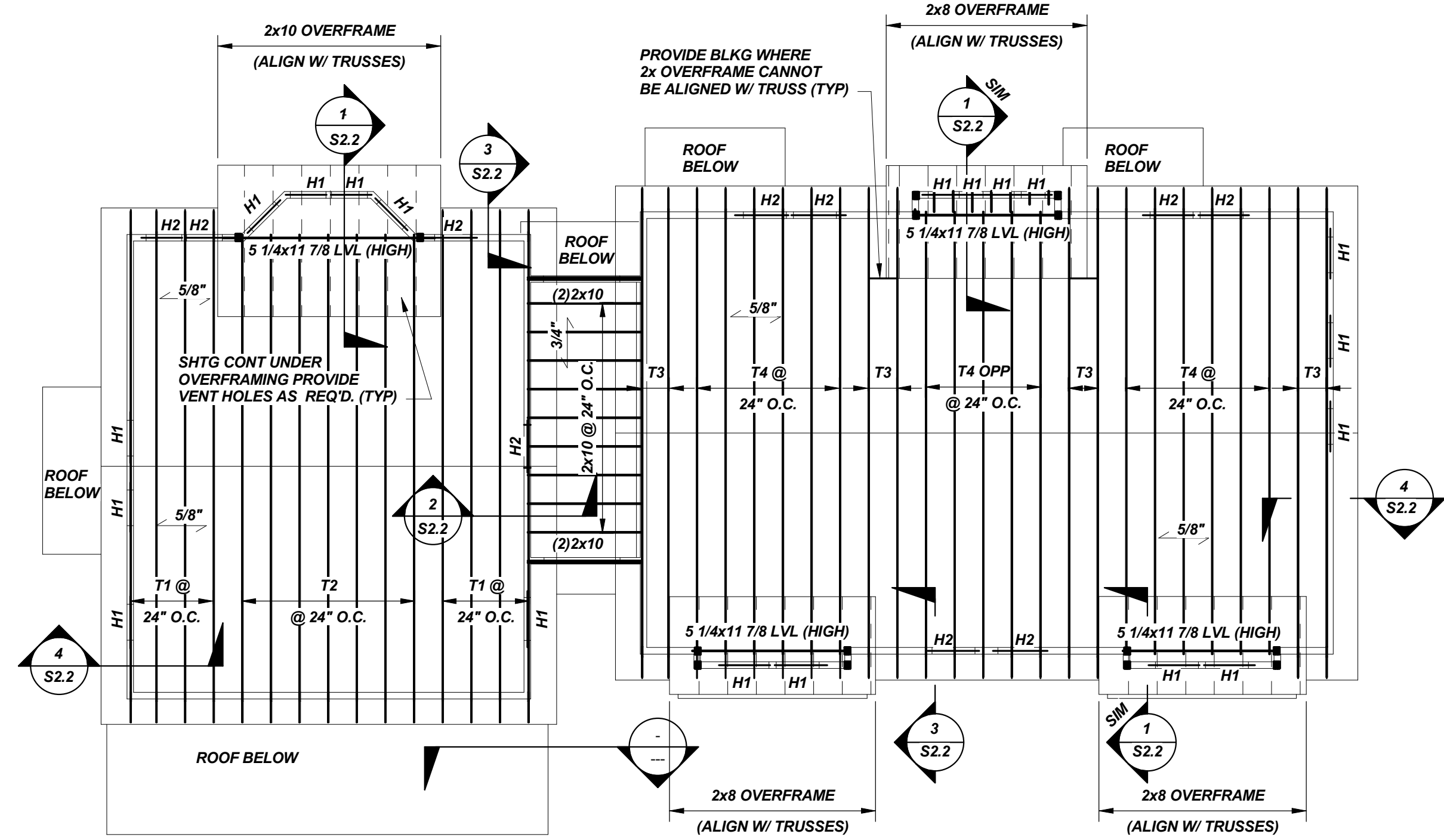
TRUSS DESIGN LOADS
 THE FOLLOWING DESIGN LOADS SHALL BE USED FOR THE DESIGN OF THE TRUSSES, UNLESS NOTED OTHERWISE.

TOP CHORD DEAD LOAD.....10 PSF
 TOP CHORD SNOW LOAD.....46 PSF
 TOP CHORD SNOW LOAD.....60 PSF (MAX UNBALANCED)
 BOT CHORD DEAD LOAD.....10 PSF

TRUSS ELEVATIONS SHOWN ARE FOR TYPICAL CONDITIONS. ADDITIONAL TRUSSES SIMILAR TO TRUSSES SHOWN MAY BE REQUIRED. SEE FRAMING PLANS & ARCHITECTURAL DWGS FOR ADDITIONAL INFORMATION.

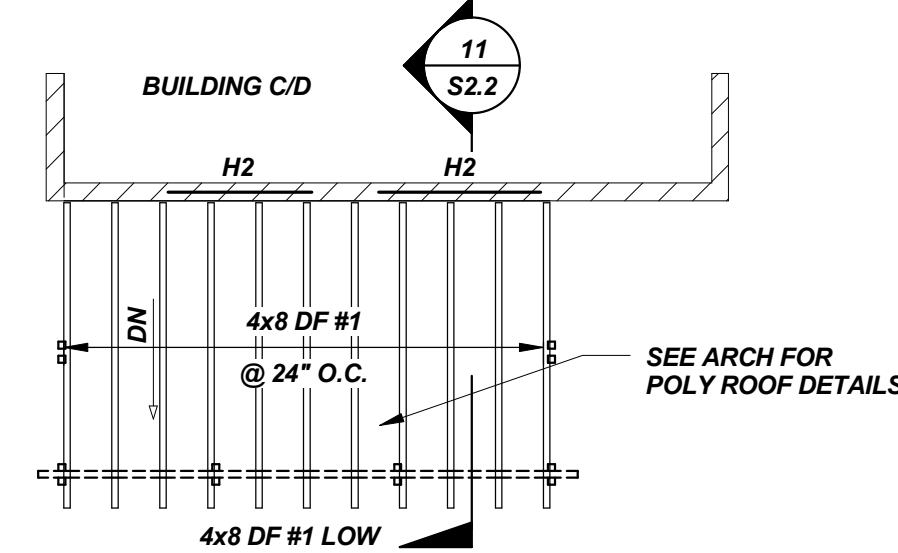
TRUSS DESIGNER IS RESPONSIBLE FOR COORDINATING & VERIFYING ALL DIMENSIONS PRIOR TO FABRICATION.

COORDINATE MECHANICAL EQUIPMENT LOADS & LOCATIONS WITH MECHANICAL DRAWINGS.

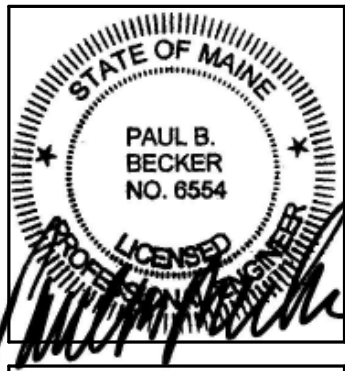


ROOF FRAMING PLAN (BUILDING A, OTHERS SIM)

- 1/8"=1'-0"
 NOTES:
 1. TOP OF WALL PLATE (TRUSS BEARING) 140'-10" BUILDING A, 139'-10" BUILDING B, 142'-4" BUILDING C/D.
 2. --- INDICATES SPAN OF 5/8" OR 3/4" T&G SHEATHING.



PART-ROOF FRAMING PLAN (TRASH SHED)-BUILDINGS C&D
 1/8"=1'-0"



JOB NO.
 08-056

DRWN. CHK
 D.S.B.

SCALE:
 As indicated

ISSUE
 03/05/12

TITLE
 SECOND FLOOR & ROOF FRAMING

SHEET
S1.3