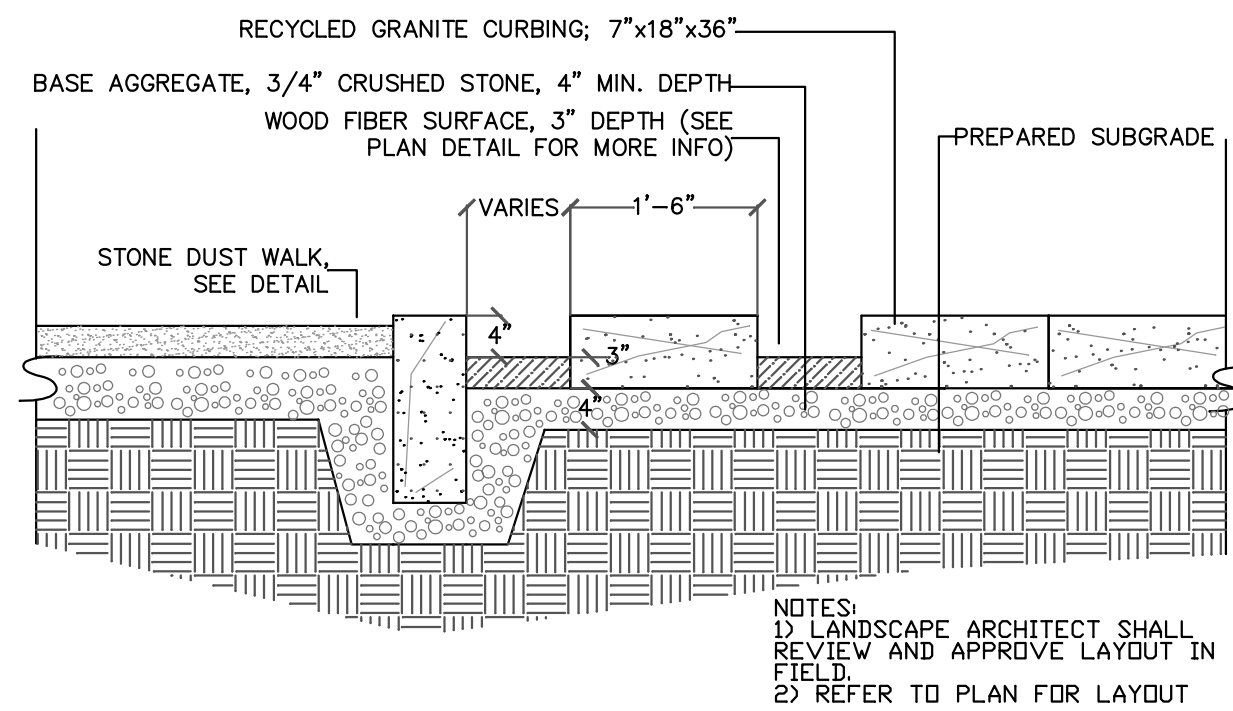
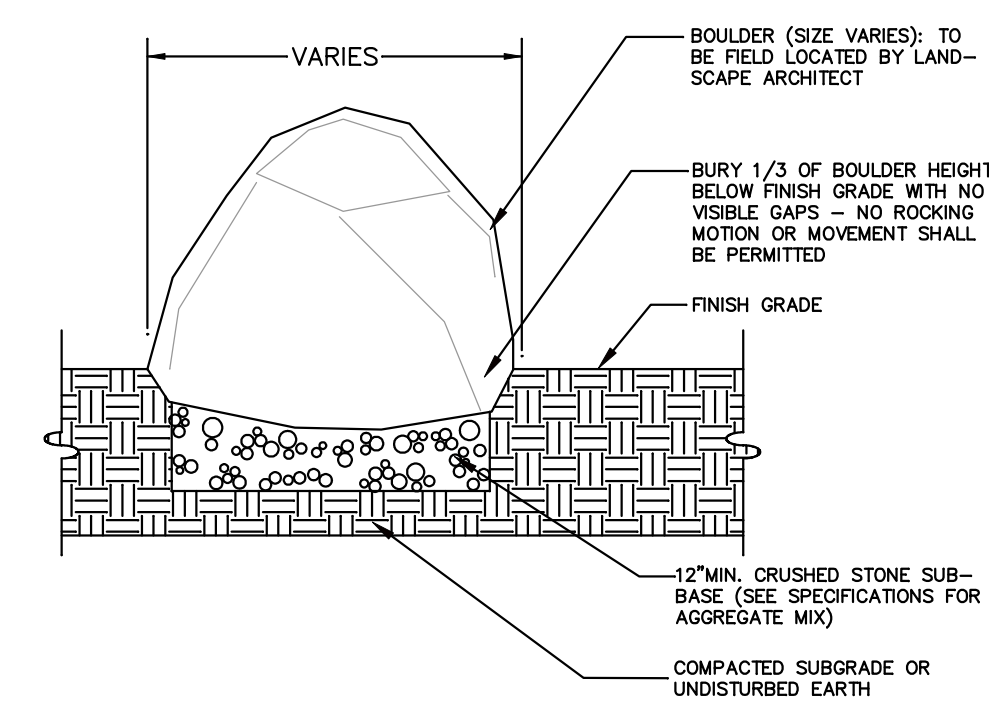


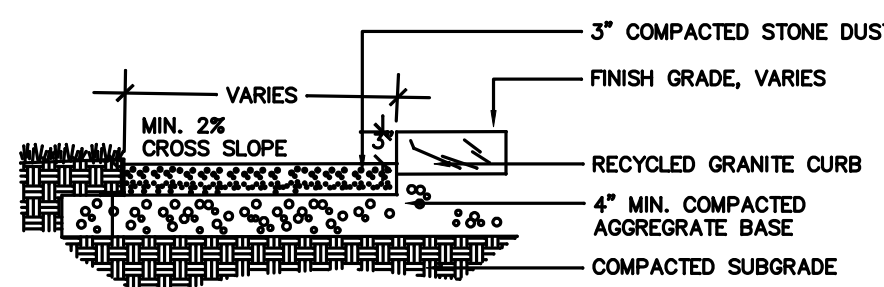
G WATER SERVICE & ASSEMBLIES DIAGRAM
L2 N.T.S.



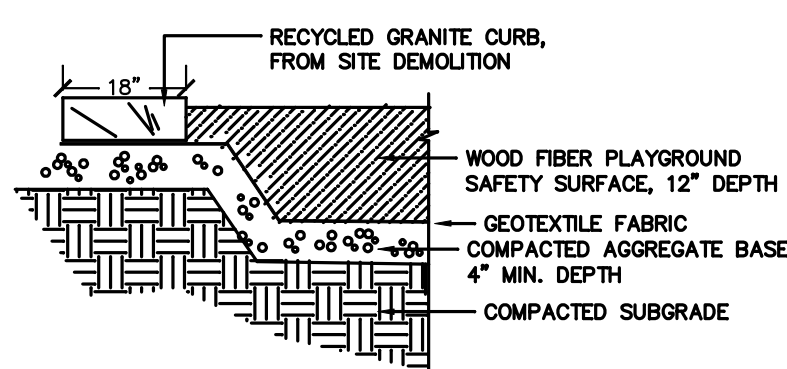
H STEPPING STONES
L3 N.T.S.



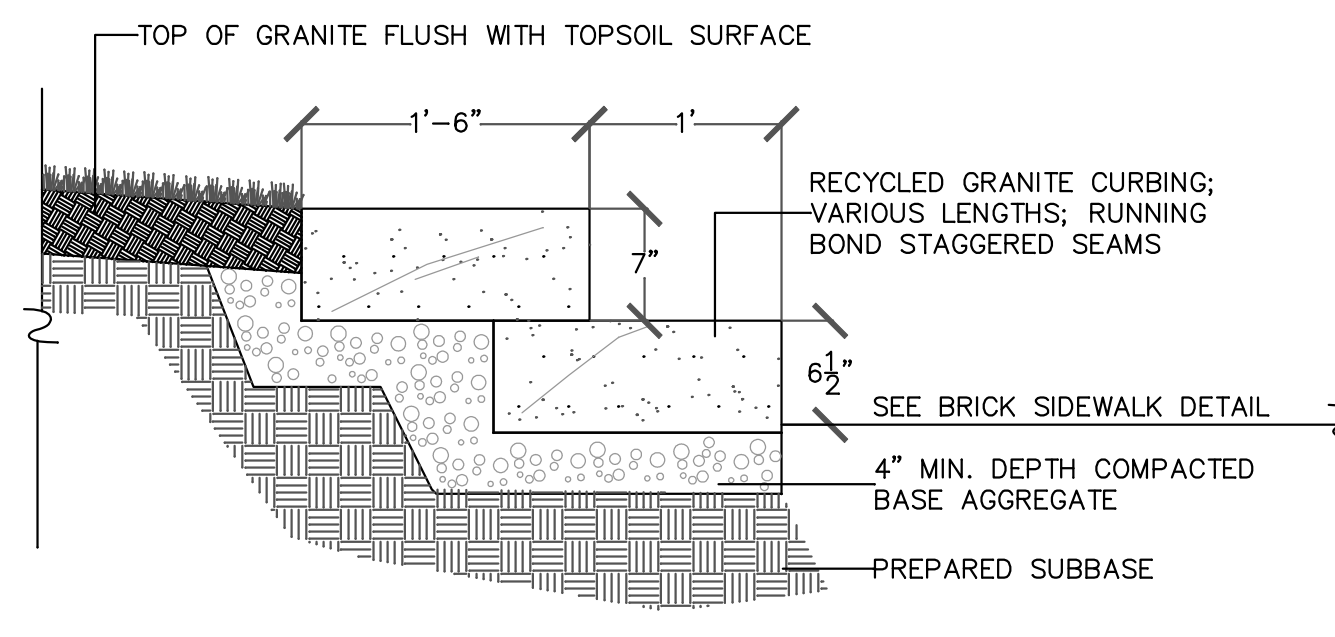
I BOULDER DETAIL
L3 N.T.S.



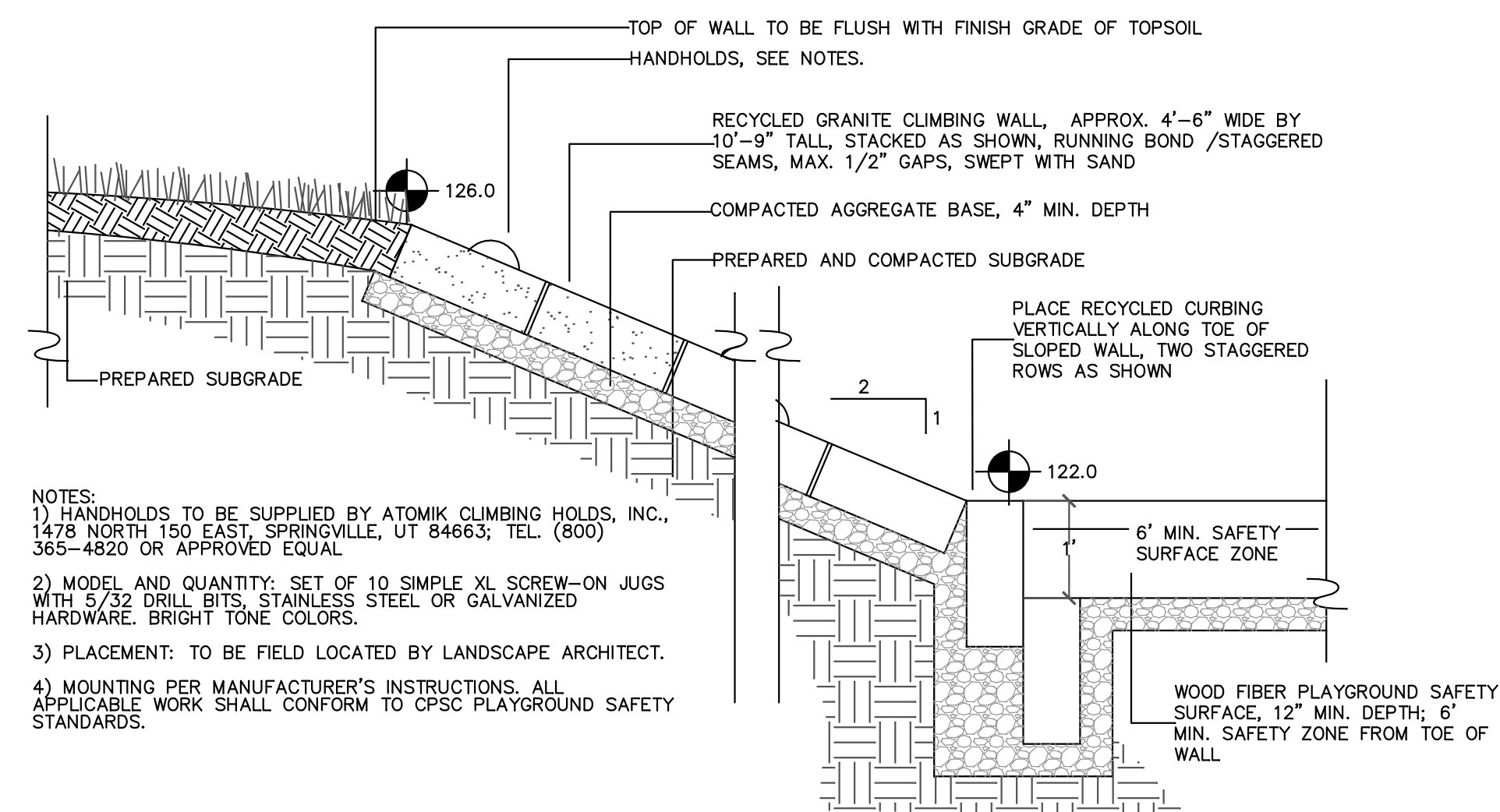
J STONE DUST WALK & CURB
L3 N.T.S.



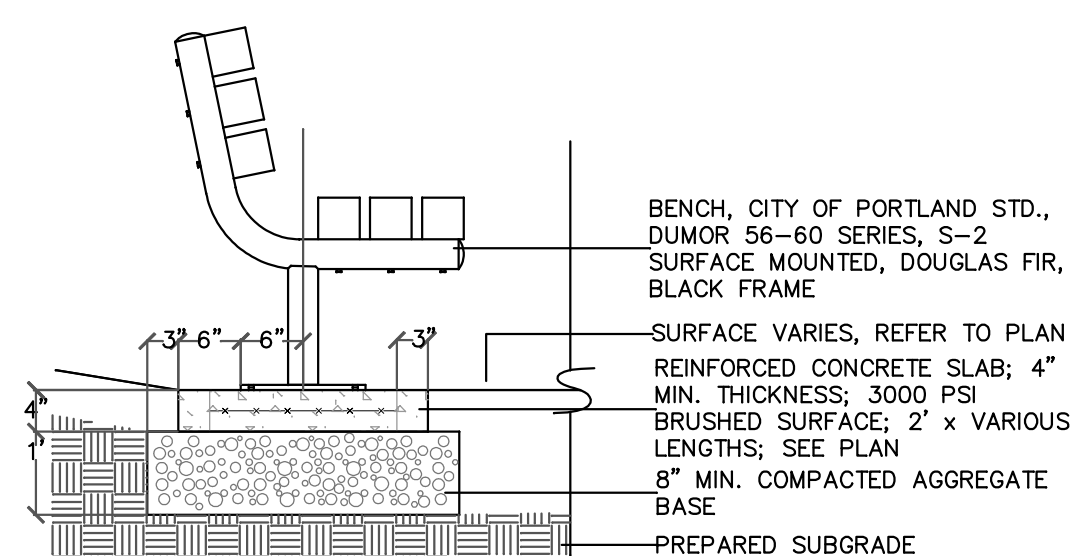
K PLAYGROUND SURFACE & CURB
L3 N.T.S.



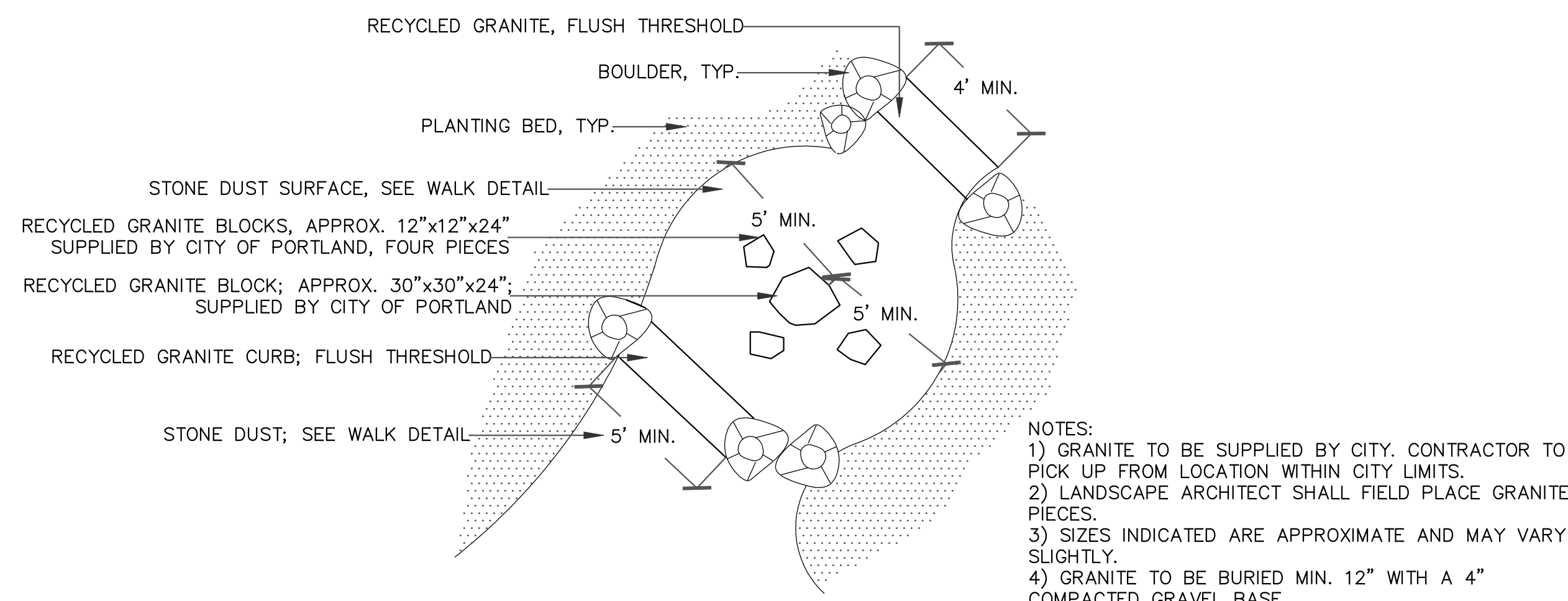
L STEPPED GRANITE CURBING DETAIL
L3 N.T.S.



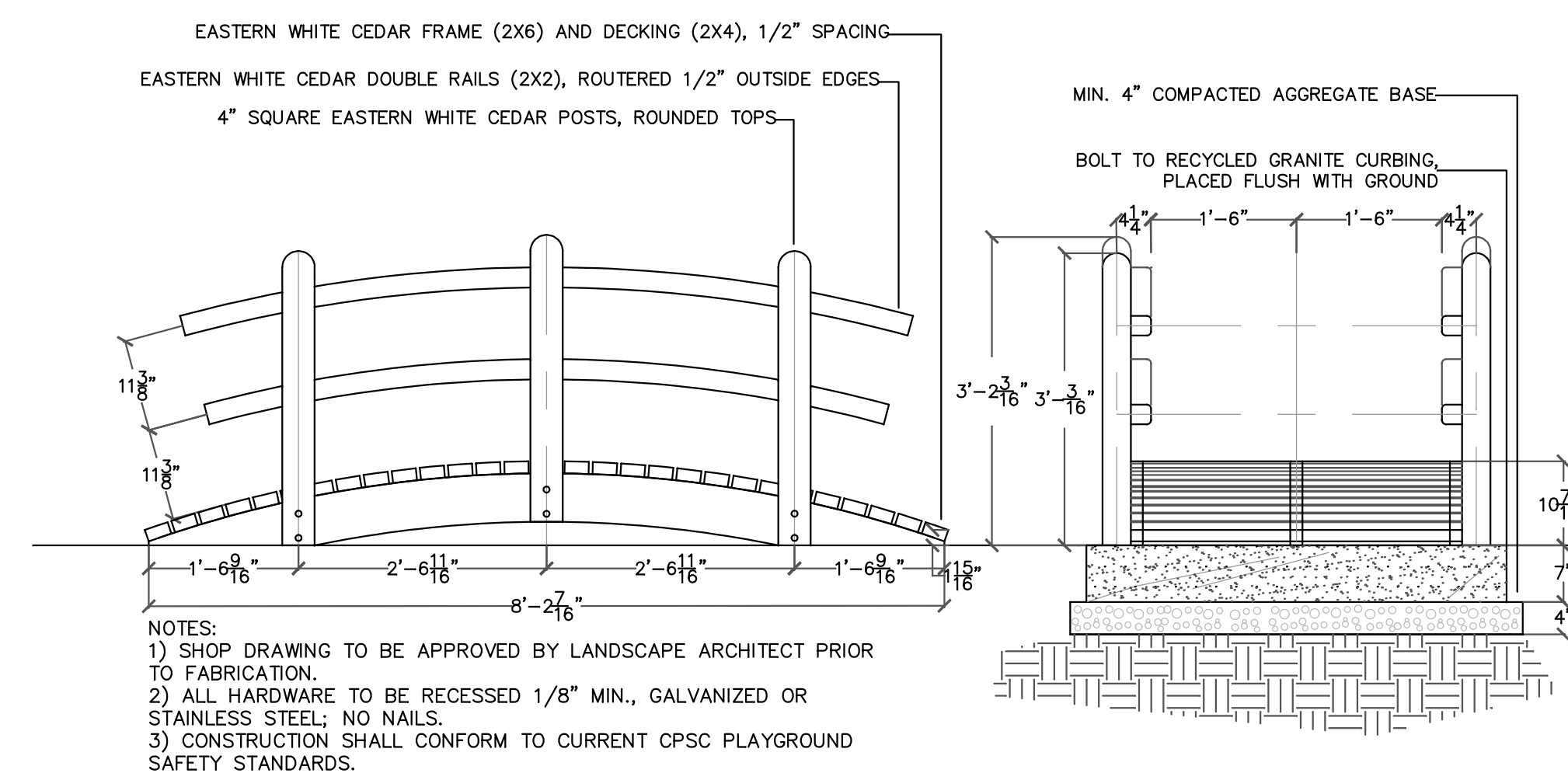
M GRANITE CLIMBING WALL DETAIL
L3 N.T.S.



N BENCH PAD DETAIL
L3 N.T.S.



O CHILDRENS SEATING AREA - PLAN DETAIL
L3 N.T.S.

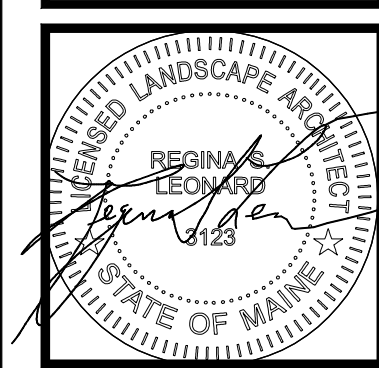


P FOOTBRIDGE ELEVATIONS
L3 N.T.S.

Regina S. Leonard
landscape architecture & design
Tel. 207.450.9700
Regina@rsdesign.com
29 Bridge Street
Topsham, Me 04086

PDT
ARCHITECTS
48 DARTMOUTH STREET
PORTLAND, MAINE 04101
207-775-1059
www.pdtarchs.com
COPYRIGHT 2010
PDT Architects
Reuse or reproduction of the
contents of this document is not
permitted without written
permission of PDT Architects.

Adams School Redevelopment
PORTLAND, MAINE



JOB NO.
08-056
DRWN. CHK
RSL PDT
SCALE:
AS NOTED
ISSUE
3/05/12
TITLE
LANDSCAPE
DETAILS
SHEET

L4

FOR BIDDING - NOT FOR CONSTRUCTION