

Z:\1219804 PDT Arch - Adams School Redev\Deliverables\2012.03.01\Bid Documents\Plans\Drawings\219804-C300.dwg, Feb. 28, 2012 - 10:38am BMCDEVITT

EROSION AND SEDIMENT CONTROL NOTES

Temporary Erosion Control

Contractor shall prepare and submit a soil erosion and water pollution control plan to engineer in accordance with section 655.

Measure	Dates For Use	Timing, Activity, and Location
Sedimentation Barrier	ALL	Before soil disturbance, install downhills of areas to be disturbed and around material stockpiles.
Up-slope Diversion	ALL	Before soil disturbance, install uphill of areas to be disturbed and around material stockpiles.
Catch Basin Protection	ALL	Before soil or pavement disturbance, install ACF Environmental, Inc. High Flow Siltsock, Siltsover Inlet Filter, or equal, installed per manufacturer's requirements.
Dust Control	ALL	During dry weather, apply water and calcium chloride to control dust.
Temporary Seeding	April 15 to Oct. 1	Soil stockpiles that are not covered and disturbed areas that will not be disturbed again within 14 days. If grass growth provides less than 95% soil coverage by Nov. 1, apply mulch and anchor with erosion control blanket.
Mulch	April 15 to Sept. 15	On all areas of exposed soil prior to rain events or every ___ days, apply 100-150 lbs (2.5 bales) per 1,000 sq. ft. by mechanical blower.
Winter Mulch	Sept. 16 to Oct. 31	On all areas of exposed soil prior to precipitation or every days, apply 150 to 170 lbs. mulch (4 bales) per 1,000 sq. ft. by mechanical blower. Erosion control blanket may be used as a substitute for winter mulch.
	Nov. 1 to April 14	On all areas of exposed soil, apply 150 to 170 lbs. mulch (4 bales) per 1,000 sq. ft. and anchor with netting at the end of each working day. Erosion control blanket may be used as a substitute for winter mulch.
Inspections	Until site is permanently stabilized	Inspect the erosion and sedimentation control measures daily, and maintain and repair as necessary.

Permanent Erosion Control:

Measure	Dates For Use	Timing, Activity, and Location
Pavement - Base Course - Final Course	When no frost is in ground	Install only in areas shown on the plan, shortly after pavement base is brought to final grade. Install near completion of project.
Permanent Seeding	April 15 to Sept. 15	On final grade areas, within 7 days of grade preparation, prepare topsoil, followed by seed and mulch application.
Dormant Seeding	Sept. 16 to April 15	On final grade areas, with prepared topsoil. Apply seed at double the specified rate on bare soil, and follow with an application of winter mulch.
Ground Cover, Trees, Shrubs	April 15 to Nov. 1	Install with final landscaping.
Permanent Mulch	ALL	Install with final landscaping.

Inspections:

Regular inspections of all erosion and sedimentation controls shall be made at least weekly and prior to and following storm events. Minimum inspections shall be made as listed in the table below.

Inspected Item	Look For
Mulched Surfaces	Thin mulch or inadequate application. Wind movement.
Seeded Surfaces	Poor seed germination. Loss of mulch. Development of rivelets.
Sediment Barrier	Sediment build-up to one half the height of the barrier. Undermining of the barrier. Supporting stakes loose, toppled, or unmarked. Breaks in barrier.
Perimeter Diversion	Discharge is to stabilized area. Erosion or breaks in barrier. Supporting stakes loose, toppled or unmarked.
Catch Basin Protection	Sediment build-up and structure blockages. Slow flow/Ponding water. Breaks in fabric or voids in barrier.
Dewatering Filter	Breaks in fabric or supporting structure. Slow flow, indicating high sediment build-up.
Construction Entrance	Sedimentation of roadways. Off-site dust complaints.

EROSION AND SEDIMENTATION CONTROL NOTES

TEMPORARY EROSION CONTROL MEASURES MAY INCLUDE THE USE OF STABILIZED CONSTRUCTION ENTRANCES, HYDRAULIC MULCH, HAY AND STRAW MULCH, EROSION CONTROL BLANKET, TURF REINFORCED MATTING, RIPRAP AND TEMPORARY SEEDING. TEMPORARY SEDIMENT CONTROL MEASURES INCLUDE THE USE OF SILT FENCE, EROSION CONTROL MIX BERMS, PLUNGE POOLS, CHECK DAMS, SEDIMENT TRAPS, CATCHBASIN SEDIMENT COLLECTION BAGS AND GEOTEXTILE FILTER BAGS. PERMANENT MEASURES INCLUDE THE USE OF RIPRAP AT EXPOSED STORMDRAIN AND CULVERT INLETS AND OUTLETS, ARMORED SWALES AND SLOPES AND PERMANENT VEGETATION.

GENERAL

- A. THE PROJECT SHALL CONFORM WITH THE STANDARDS OF THE MAINE CONSTRUCTION GENERAL PERMIT, IF APPLICABLE.
- B. ALL EROSION AND SEDIMENT CONTROL MEASURES SHALL BE CONSTRUCTED AND MAINTAINED IN ACCORDANCE WITH THE MAINE EROSION AND SEDIMENT CONTROL BMPs HANDBOOK PUBLISHED BY THE MAINE DEP UNLESS OTHERWISE NOTED IN THESE PLANS. [HTTP://WWW.MAINE.GOV/DEP/RL/WQ/DOCSTAND/ESCBMS/](http://www.maine.gov/dep/rl/wq/docstand/escbms/)
- C. ANY ADDITIONAL EROSION AND SEDIMENT CONTROL MEASURES DEEMED NECESSARY BY THE OWNER'S REPRESENTATIVE, DEPARTMENT OF ENVIRONMENTAL PROTECTION, AND/OR MUNICIPAL OFFICIALS SHALL BE INSTALLED BY THE CONTRACTOR.
- D. THE CONTRACTOR IS RESPONSIBLE FOR ALL FINES RESULTING FROM EROSION OR SEDIMENTATION FROM THE SITE TO SURROUNDING PROPERTIES, WATER BODIES, OR WETLANDS AS A RESULT OF THIS PROJECT.
- E. THE CONTRACTOR SHALL MINIMIZE DISTURBANCE TO THE SITE WHENEVER POSSIBLE WHILE ALLOWING PROPER SITE DEVELOPMENT.
- F. CONSTRUCTION STAGING SHALL BE CONDUCTED IN A WAY TO MINIMIZE THE POTENTIAL FOR STORMWATER RUN-ON TO DISTURBED AREAS.
- G. THE CONTRACTOR SHALL BE RESPONSIBLE FOR THE REPAIR/REPLACEMENT/MAINTENANCE OF ALL EROSION CONTROL MEASURES UNTIL ALL DISTURBED AREAS ARE STABILIZED TO THE SATISFACTION OF THE ABOVE PERSONNEL. DESCRIPTIONS OF PERMANENT STABILIZATION FOR VARIOUS COVER TYPES FOLLOWS:
 - i. FOR SEEDED AREAS, PERMANENT STABILIZATION MEANS THAT 90% OF THE DISTURBED AREA IS COVERED WITH REASONABLY THICK UNIFORM STAND OF PERMANENT GRASS SPECIES, FREE FROM SIZABLE THIN OR BARE SPOTS.
 - ii. FOR SODDED AREAS, PERMANENT STABILIZATION MEANS THAT COMPLETE BINDING OF THE SOD ROOTS INTO THE UNDERLYING SOIL WITH NO SLUMPING OF THE SOD OR DIE OFF.
 - iii. FOR MULCHED AREAS, PERMANENT STABILIZATION MEANS TOTAL COVERAGE OF THE EXPOSED AREA WITH AN APPROVED MULCH MATERIAL.
 - iv. FOR AREAS STABILIZED WITH RIPRAP, PERMANENT STABILIZATION MEANS THAT SLOPES STABILIZED WITH RIPRAP HAVE AN APPROPRIATE BACKING OF A WELL-GRADED GRAVEL OR APPROVED GEOTEXTILE. STONE MUST BE SIZED APPROPRIATELY AND IN ACCORDANCE WITH SECTION E-6 OF THE MAINE EROSION AND SEDIMENT CONTROL BMP MANUAL.
 - v. FOR PAVED AREAS, PERMANENT STABILIZATION MEANS THE PLACEMENT OF THE ASPHALT BINDER COURSE.
 - vi. FOR OPEN CHANNELS, LEVEL SPREADERS, ENGINEERED BUFFERS OR OTHER DESIGNED STORMWATER CONVEYANCE STRUCTURE, PERMANENT STABILIZATION MEANS THE CHANNELIZED AREA(S) IS STABILIZED WITH MATURE VEGETATION AT LEAST THREE INCHES IN HEIGHT, WITH APPROVED RIPRAP OR WITH OTHER EROSION LINING CAPABLE OF WITHSTANDING THE ANTICIPATED FLOW VELOCITIES AND FLOW DEPTHS WITHOUT RELIANCE ON CHECK DAMS TO SLOW FLOW. THERE SHALL BE NO EVIDENCE OF SLUMPING, UNDERCUTTING OR DOWNCUTTING OF THE DESIGNED CHANNEL.
- H. IF THE AREA WILL REMAIN UNWORKED FOR MORE THAN ONE YEAR OR HAS BEEN BROUGHT TO FINAL GRADE, AND WILL NOT BE BUILT ON, THEN IMMEDIATELY PROVIDE PERMANENT STABILIZATION USING VEGETATION THROUGH PLANTING, SEEDING, SOD OR THROUGH THE USE OF PERMANENT MULCH OR RIPRAP. IF USING VEGETATION FOR STABILIZATION, SELECT THE PROPER VEGETATION FOR THE LIGHT, MOISTURE, AND SOIL CONDITIONS. AMEND AREAS OF DISTURBED, OVERLY-COMPACTED SUBSOIL WITH TOPSOIL OR COMPOST AND LIGHTLY TILL 2"-3" OF SOIL AMENDMENTS INTO THE TOP 8" OF SOIL.
- I. PERMANENT SEEDING: SEED MIXES AND APPLICATION ARE SPECIFIED ON THE LANDSCAPING PLANS.
- J. PROTECT ALL SEEDED AREAS WITH MULCH OR EROSION CONTROL BLANKET IN AREAS OF SHEET OR CONCENTRATED FLOWS. MULCH ALL AREAS SO THAT SOIL IS NOT VISIBLE THROUGH THE MULCH REGARDLESS OF THE APPLICATION RATE. SCHEDULE SEEDING TO AVOID FAILURE DUE TO SUMMER DROUGHT AND FALL FROST. NEWLY SEEDER AREAS SHOULD BE PROTECTED FROM VEHICLE TRAFFIC, PEDESTRIAN TRAFFIC AND CONCENTRATED RUNOFF UNTIL THE VEGETATION IS WELL ESTABLISHED. AREAS MUST BE REMORKED AND RESTABILIZED IF GERMINATION IS SPARSE OR SURFACE EROSION IS EVIDENT.
- K. DITCH LININGS AND RIPRAP INLET AND OUTLET PROTECTION SHALL BE INSTALLED WITHIN 48 HOURS OF COMPLETING THE GRADING OF THAT SECTION OF THE CULVERT.
- L. EROSION CONTROL BLANKET SHALL BE INSTALLED ON ALL PERMANENT SLOPES STEEPER THAN 3:1, IN THE BASE OF DITCHES AND ANY DISTURBED AREAS WITHIN 100 FEET OF A PROTECTED NATURAL RESOURCE (WETLANDS AND WATER RESOURCES). EROSION CONTROL BLANKET SHALL BE NORTH AMERICAN GREEN S150BN OR APPROVED EQUAL. EROSION CONTROL BLANKET SHALL BE INSTALLED IN ACCORDANCE WITH THE MANUFACTURER'S RECOMMENDATIONS.
- M. THE CONTRACTOR IS RESPONSIBLE FOR REMOVAL OF ALL TEMPORARY EROSION CONTROL MEASURE UPON STABILIZATION OF PROJECT AREA & COST SHALL BE INCIDENTAL TO CONTRACT.

WINTER CONDITIONS

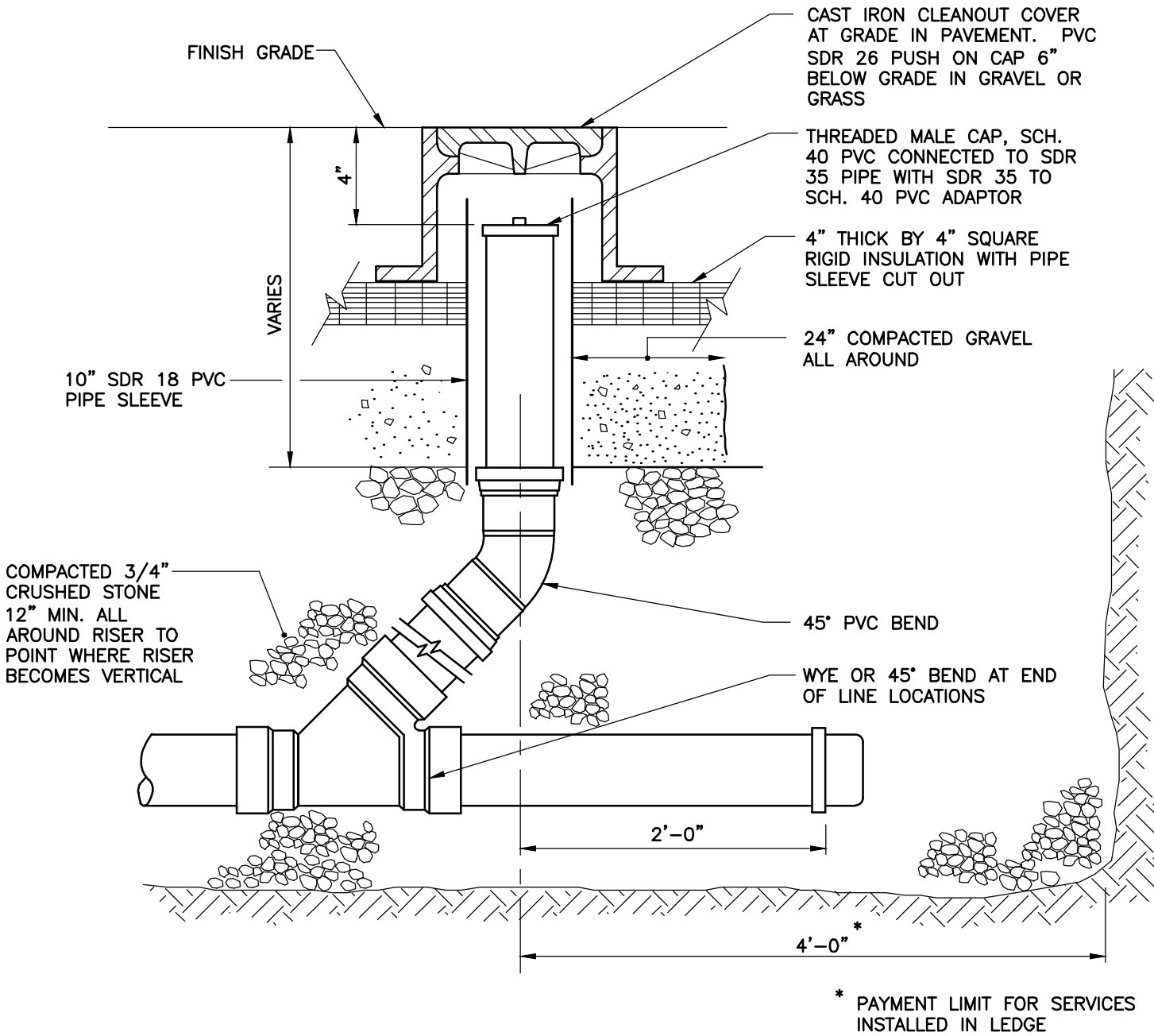
- A. WINTER CONSTRUCTION IS CONSTRUCTION ACTIVITY PERFORMED DURING THE PERIOD FROM NOVEMBER 1 THROUGH APRIL 1. IF AREAS WITHIN THE CONSTRUCTION AREA ARE NOT STABILIZED WITH TEMPORARY OR PERMANENT MEASURES OUTLINED ABOVE BY NOVEMBER 15 THEN THE SITE MUST BE PROTECTED WITH ADDITIONAL STABILIZATION MEASURES THAT ARE SPECIFIC TO WINTER CONDITIONS.

GOOD HOUSEKEEPING AND POLLUTION PREVENTION

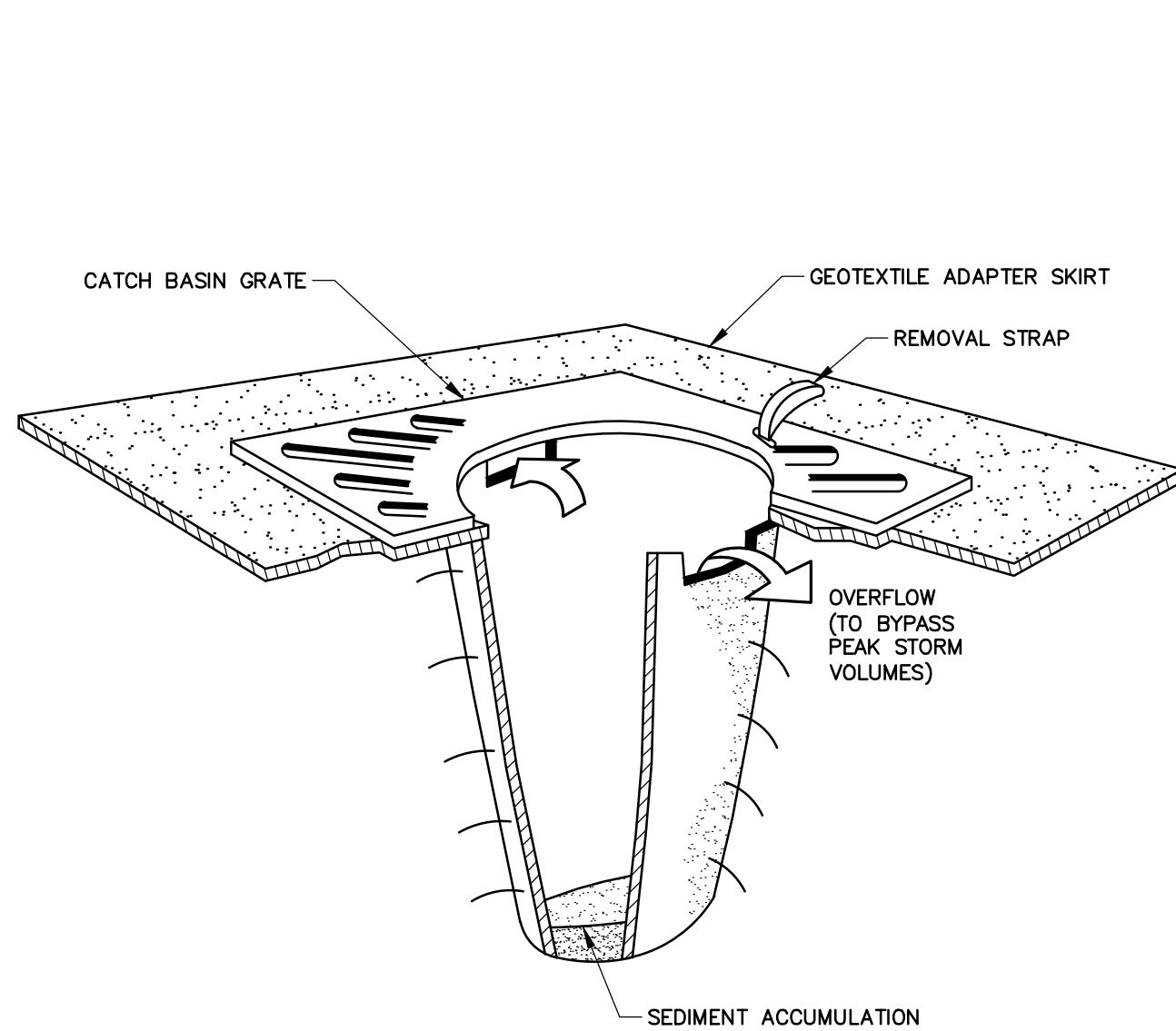
- A. SPILL PREVENTION CONTROLS MUST BE USED TO PREVENT POLLUTANTS FROM BEING DISCHARGED FROM MATERIALS ON SITE, INCLUDING STORAGE PRACTICES TO MINIMIZE EXPOSURE OF THE MATERIALS TO STORMWATER RUNOFF AND APPROPRIATE SPILL PREVENTION, CONTAINMENT AND RESPONSE PLANNING AND IMPLEMENTATION.
- B. DURING CONSTRUCTION, PETROLEUM PRODUCTS AND OTHER HAZARDOUS MATERIALS WITH THE POTENTIAL TO CONTAMINATE GROUND OR SURFACE WATERS MAY NOT BE STORED OR HANDLED IN AREAS OF THE SITE DRAINING TO INFILTRATION AREAS. AN "INFILTRATION AREA" IS ANY ARE OF THE SITE THAT BY DESIGN, OR AS A RESULTS OF SOIL AND TOPOGRAPHY, ACCUMULATES RUNOFF THAT INFILTRATES IN THE SOIL, DIKES, BERMS, SUMPS AND OTHER FORMS OF TEMPORARY SECONDARY CONTAINMENT THAT PREVENT DISCHARGE TO GROUNDWATER MAY BE USED TO ISOLATE PORTIONS OF THE SITE FOR THE PURPOSES OF STORAGE AND HANDLING OF THESE MATERIALS.
- C. LOCATE ALL MATERIAL STOCKPILES WITH CONSIDERATION FOR STORMWATER DRAINAGE PATTERNS AND INFRASTRUCTURE.
- D. TAKE ALL REASONABLE MEASURES TO MINIMIZE DUST RESULTING FROM THE PROJECT. OIL MAY NOT BE USED FOR DUST CONTROL.
- E. LOCATE ALL LITTER, CONSTRUCTION DEBRIS AND CONSTRUCTION CHEMICALS WITH CONSIDERATION FOR STORMWATER DRAINAGE PATTERNS AND INFRASTRUCTURE.
- F. TRENCH OR FOUNDATION DE-WATERING MUST BE SPREAD THROUGH SUFFICIENT NATURAL BUFFERS THAT HAVE CAPACITY TO INFILTRATE THE PUMPED WATER OR SHOULD BE PUMPED TO DESIGNED CONSTRUCTION DEWATERING DEVICES AS DESCRIBED IN THE MAINE EROSION AND SEDIMENT CONTROL BMPs HANDBOOK.
- G. SEDIMENTS AND SOIL MATERIALS SHOULD BE SWEEP FROM PAVED SURFACES AT THE END OF EACH WORKDAY OR PRIOR TO RAIN EVENTS, WHENEVER POSSIBLE.

INSPECTION AND MAINTENANCE

- A. A PERSON WITH KNOWLEDGE OF EROSION AND STORMWATER CONTROLS, INCLUDING THE STANDARDS IN THE MAINE CONSTRUCTION GENERAL PERMIT, THE MAINE EROSION AND SEDIMENT CONTROL BMPs HANDBOOK OR ANY MUNICIPAL REQUIREMENTS MUST CONDUCT THE INSPECTION. THIS PERSON MUST BE IDENTIFIED IN THE INSPECTION LOG. IF ADDITIONAL BMPs OR MODIFICATIONS TO BMPs ARE NECESSARY, THE MODIFICATIONS MUST BE IMPLEMENTED WITH 7 CALENDAR DAYS OR PRIOR TO ANY PRECIPITATION EVENT. ALL MEASURES MUST BE MAINTAINED IN EFFECTIVE OPERATING CONDITION UNTIL AREAS ARE PERMANENTLY STABILIZED.
- B. AN INSPECTION AND MAINTENANCE LOG MUST BE KEPT BY THE CONTRACTOR, SUMMARIZING THE SCOPE OF THE INSPECTION, DATE, AND MAJOR OBSERVATIONS RELATING TO THE OPERATION OF EROSION AND SEDIMENT CONTROL BMPs, MATERIAL STORAGE AREAS, AND VEHICLE ACCESS POINTS TO THE CONSTRUCTION AREA. THE INSPECTION LOG SHOULD BE DELIVERED TO THE PROPERTY OWNER OR RESPONSIBLE CONTRACTING ENTITY UPON COMPLETION OF THE PROJECT.



CLEANOUT DETAIL
N.T.S.



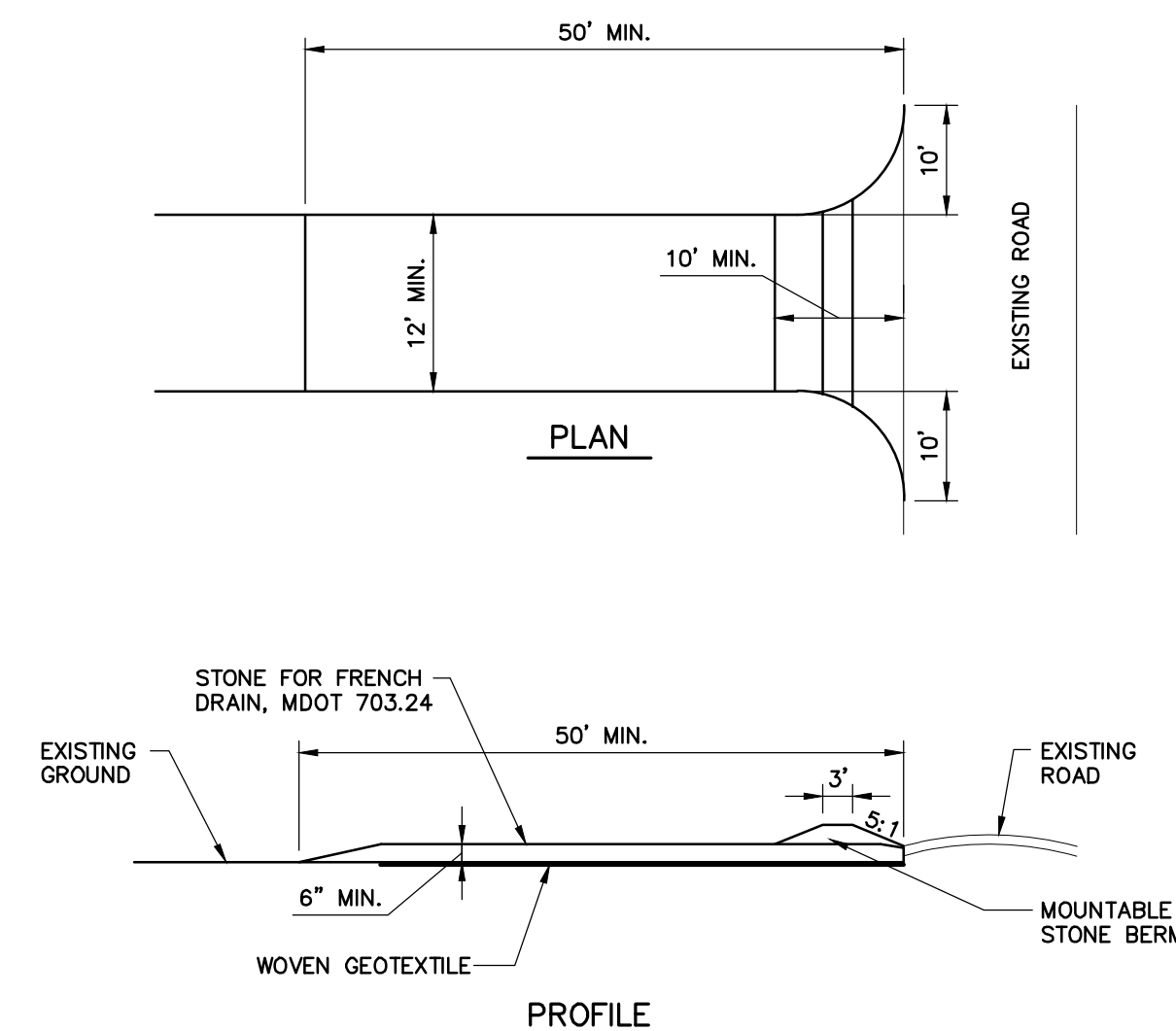
NOTES:

CATCH BASIN PROTECTION TO BE "SILTSAK" (BY ACF ENVIRONMENTAL) OR "STREAM GUARD" (BY FOSS ENVIRONMENTAL SERVICES).

INSERT TO BE EMPTIED IN AN APPROVED MANNER WHEN IT IS 1/2 FULL OF SEDIMENT.

INSPECT INSERT AFTER ALL RAINFALL EVENTS, REPAIR AND MAINTAIN AS REQUIRED.

TEMPORARY INLET PROTECTION
N.T.S.



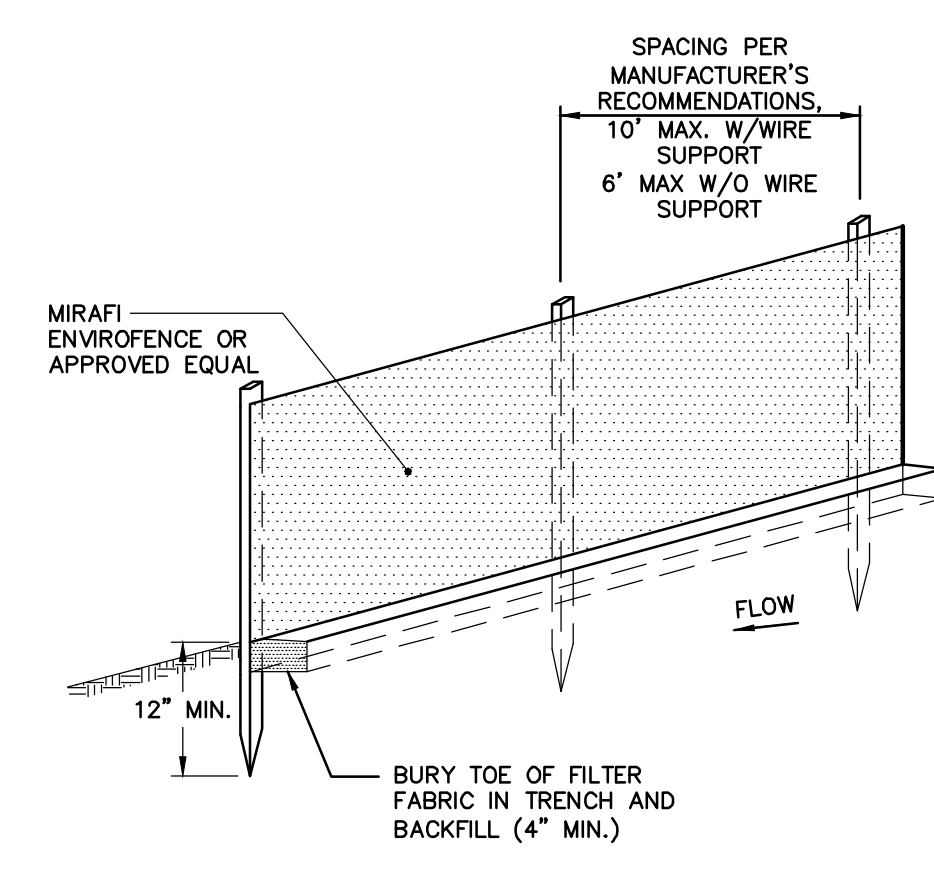
NOTES:

- CONSTRUCTION ENTRANCES MAY BE RELOCATED AS CONSTRUCTION PROGRESSES.
- WHEEL WASH PITS MAY ALSO BE USED, IF APPROVED.

MAINTENANCE: INSPECT FOR EFFECTIVE REMOVAL OF SOIL FROM VEHICLES PRIOR TO LEAVING THE SITE. SWEEP ANY SOIL FROM ADJACENT ROADWAYS.

REMOVAL: AT LEAST ONE CONSTRUCTION ENTRANCE SHALL BE MAINTAINED UNTIL ALL AREAS OF THE SITE ARE STABILIZED.

STABILIZED CONSTRUCTION ENTRANCE DETAIL
N.T.S.



NOTES:

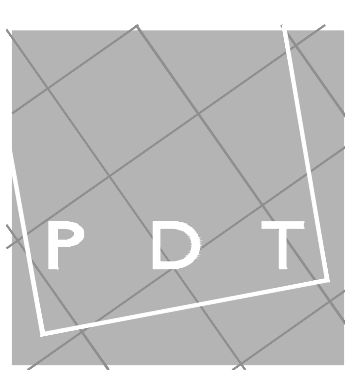
- INSTALL FABRIC ON UPHILL SIDE OF SUPPORT POSTS
- INSTALL SILT FENCE ACROSS SLOPES
- SILT FENCE SHALL NOT BE USED IN DRAINAGE WAYS

MAINTENANCE: INSPECT FOR TEARS IN THE FABRIC OR DAMAGE TO SUPPORTS. REPAIR AS NECESSARY. REMOVE ACCUMULATED SEDIMENT WHEN IT REACHES A DEPTH OF SIX-INCHES OR LESS.

REMOVAL: WHEN UPSLOPE AREAS ARE STABILIZED, THE STRUCTURE AND ANY ACCUMULATED SEDIMENT WILL BE REMOVED.

SEDIMENT BARRIER - SILTATION FENCE DETAIL
N.T.S.

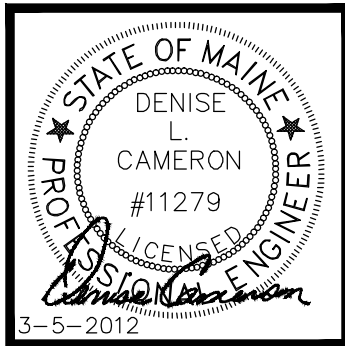
41 Hutchins Drive
Portland, Maine 04102
800.426.4262 | www.woodardcurran.com



ARCHITECTS
49 DARTMOUTH STREET
PORTLAND, MAINE 04101
207-775-1059
www.pdtarch.com

COPYRIGHT 2012
PDT Architects
Reuse or reproduction of the
contents of this document is not
permitted without written
permission of PDT Architects.

AVESTA - Adams School Site Redevelopment
PORTLAND, MAINE



JOB NO.
08-056

DRWN. CHK
BCM DLC

SCALE:
AS NOTED

ISSUE
MARCH 5, 2012

TITLE
CIVIL DETAILS - 5

SHEET

C9