



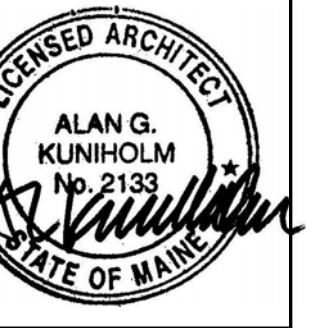
ARCHITECTS

49 DARTMOUTH STREET
 PORTLAND, MAINE 04101
 207-775-1059
 www.pdtarchs.com

**COPYRIGHT 2012
 PDT Architects**

Reuse or reproduction of
 the contents of this document is not
 permitted without written
 permission of PDT Architects.

ADAMS SCHOOL REDEVELOPMENT
 Portland, Maine



JOB NO.
08-056

DRWN. CHK
Checker

SCALE:
1/4" = 1'-0"

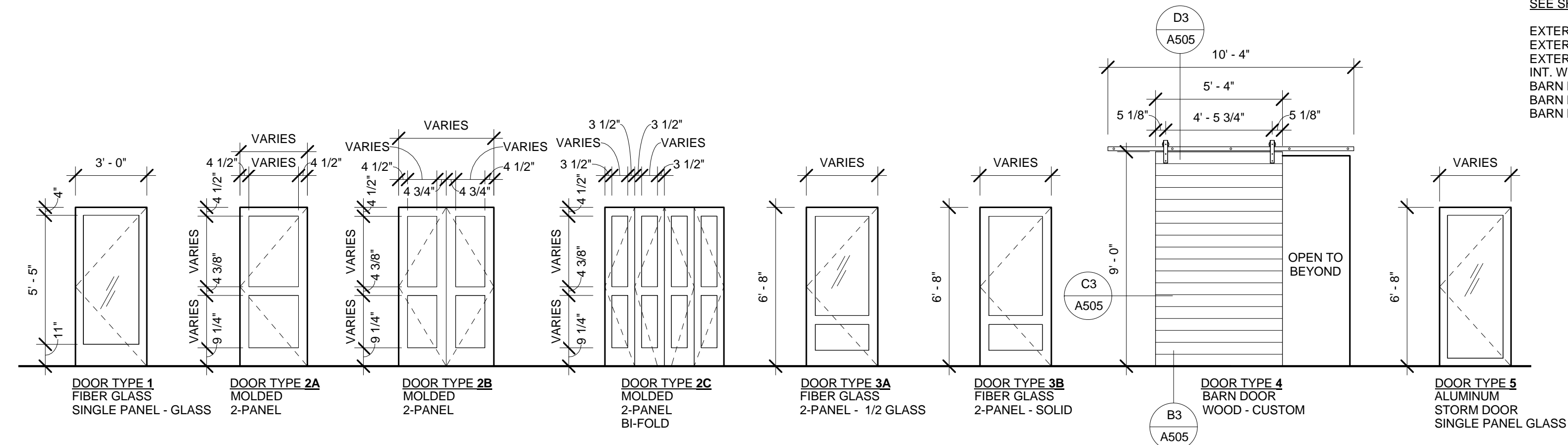
ISSUE
5 MARCH 2012

TITLE
DOOR & WINDOW
TYPES

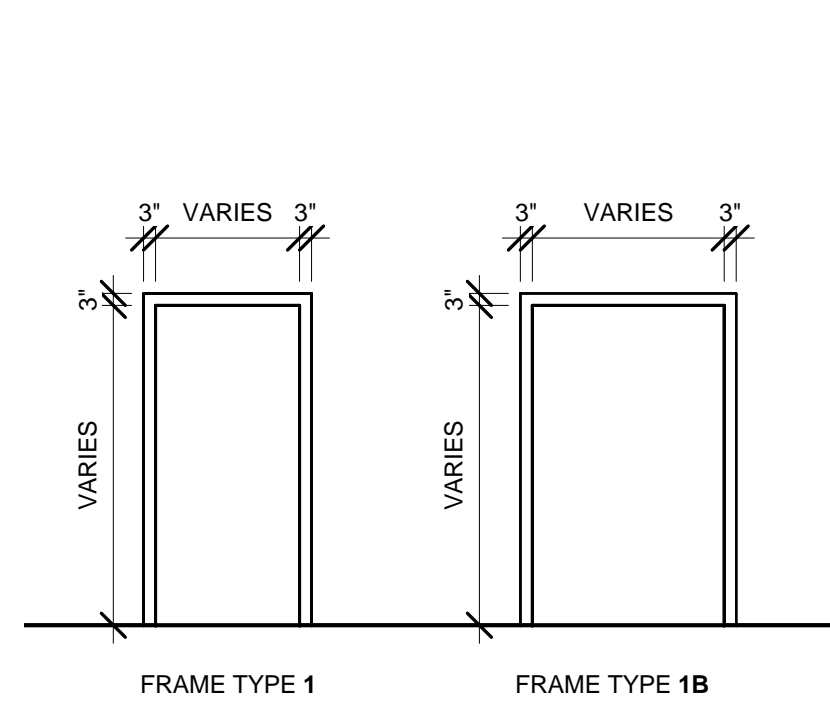
SHEET

A603

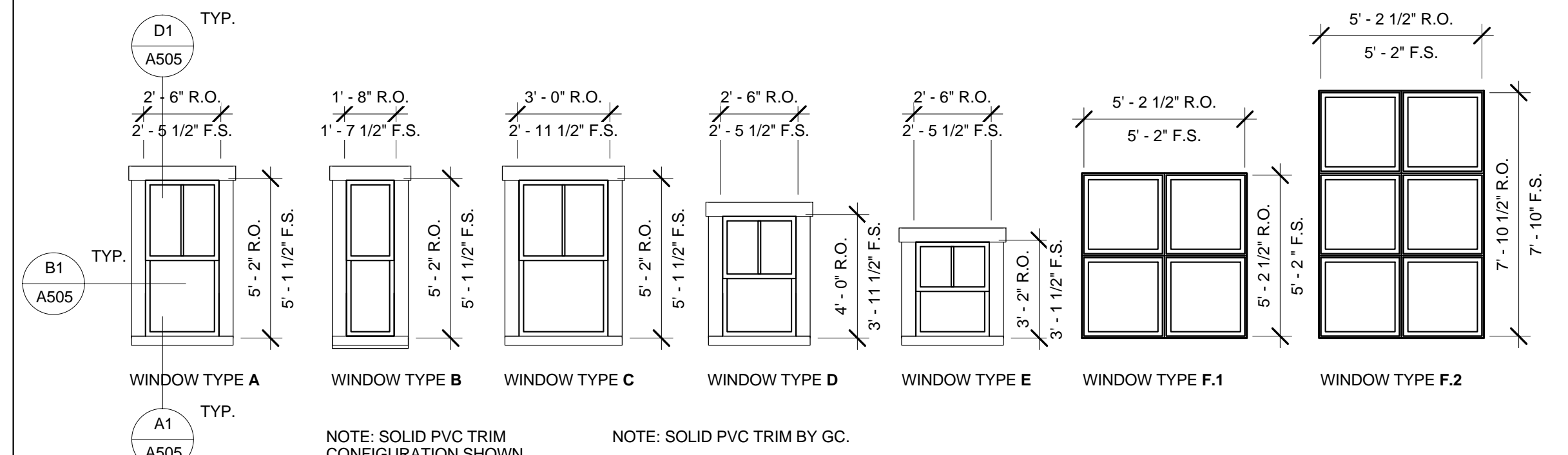
FOR DOOR ASSEMBLY DETAILS
 SEE SHEET A505
 EXTERIOR DOOR HEAD: D2/A505
 EXTERIOR DOOR JAMB: C2/A505
 EXTERIOR DOOR SILL: B2/A505
 INT. WD FRAME DETAILS: A2/A505
 BARN DOOR HEAD: D3/A505
 BARN DOOR JAMB: C3/A505
 BARN DOOR SILL: B3/A505



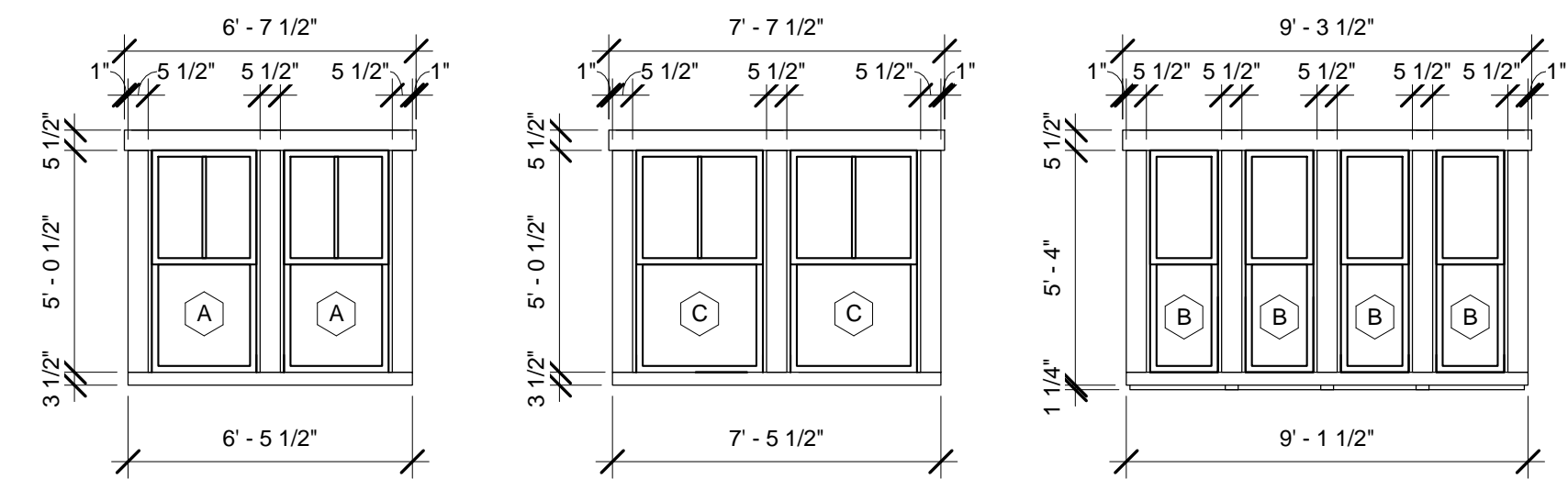
D3 DOOR TYPES
 1/4" = 1'-0"



C3 FRAME TYPES
 1/4" = 1'-0"



C2 WINDOW TYPES
 1/4" = 1'-0"



B2 WINDOW GROUPINGS W/ TRIM CONFIGURATIONS
 1/4" = 1'-0"