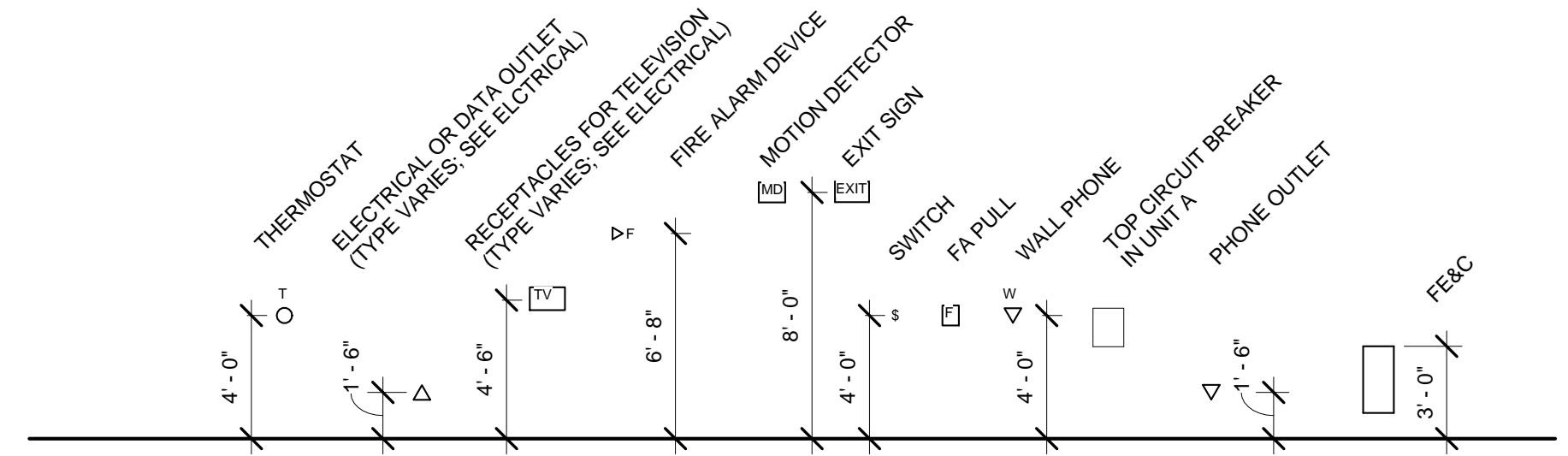


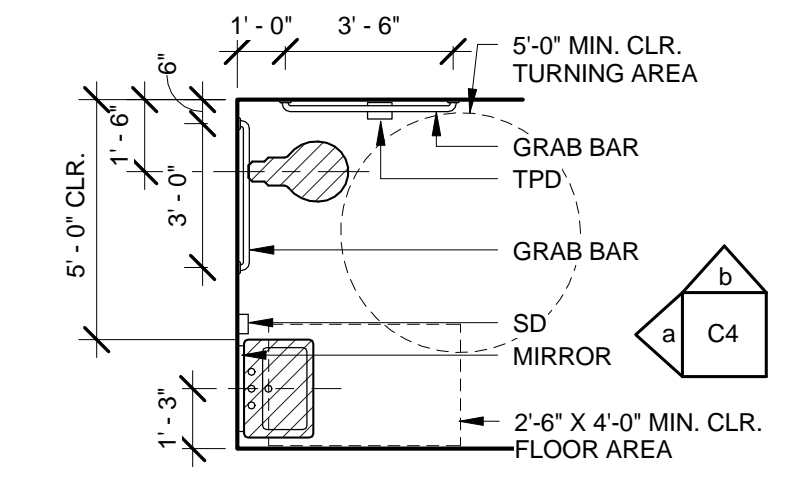
ROOM FINISH SCHEDULE CONT.									
NUMBER	ROOM NAME	FLOOR	BASE MATL	WALLS				CEILING	NOTES
				N	S	E	W		
P101	KITCHEN / DINING / LIVING	ENG WD	6" WD PTD	P	P	P	P	GWB, P	
P102	CLST	ENG WD	6" WD PTD	P	P	P	P	GWB, P	
P103	LNDRY	CT	CT BASE	P	P	P	P	GWB, P	
P104	POWDER	CT	6" WD PTD	P	P	P	P	GWB, P	
P105	LINEN	CT	6" WD PTD	P	P	P	P	GWB, P	
P106	BED RM 1	CPT-1	6" WD PTD	P	P	P	P	GWB, P	
P107	CLST	CPT-1	6" WD PTD	P	P	P	P	GWB, P	
P108	STOR	CONC	-	-	-	-	-	-	INTERIOR OPEN STRUCTURE
P201	CORR	CPT-1	6" WD PTD	P	P	P	P	GWB, P	
P202	BED RM 2	CPT-1	6" WD PTD	P	P	P	P	GWB, P	
P203	CLST	CPT-1	6" WD PTD	P	P	P	P	GWB, P	
P204	PWDR	CT	6" WD PTD	P	P	P	P	GWB, P	
P205	POWDER	CT	6" WD PTD	P	P	P	P	GWB, P	
P206	LINEN	CT	6" WD PTD	P	P	P	P	GWB, P	
P207	BED RM 3	CPT-1	6" WD PTD	P	P	P	P	GWB, P	
P208	CLST	CPT-1	6" WD PTD	P	P	P	P	GWB, P	
Q101	KITCHEN / DINING / LIVING	ENG WD	6" WD PTD	P	P	P	P	GWB, P	
Q102	CLST	ENG WD	6" WD PTD	P	P	P	P	GWB, P	
Q103	PWDR	CT	6" WD PTD	P	P	P	P	GWB, P	
Q104	LNDRY	CT	6" WD PTD	P	P	P	P	GWB, P	
Q105	PANTRY	ENG WD	6" WD PTD	P	P	P	P	GWB, P	
Q106	BED RM 1	CPT-1	6" WD PTD	P	P	P	P	GWB, P	
Q107	CLST	CPT-1	6" WD PTD	P	P	P	P	GWB, P	
Q108	MECH	CONC	-	-	-	-	-	-	INTERIOR OPEN STRUCTURE
Q109	POWDER	CT	6" WD PTD	P	P	P	P	GWB, P	
Q110	LINEN	CT	6" WD PTD	P	P	P	P	GWB, P	
Q111	BED RM 2	CPT-1	6" WD PTD	P	P	P	P	GWB, P	
Q112	CLST	CPT-1	6" WD PTD	P	P	P	P	GWB, P	
Q113	STOR	CONC	-	-	-	-	-	-	INTERIOR OPEN STRUCTURE
R100	STAIR	RB	6" WD PTD	P	P	P	P	GWB, P	RUBBER TREADS/RISERS
R101	CLST	RB	6" WD PTD	P	P	P	P	GWB, P	
R111	STOR	CONC	-	-	-	-	-	-	INTERIOR OPEN STRUCTURE
R200	STAIR	ENG WD	6" WD PTD	P	P	P	P	GWB, P	RUBBER TREADS/RISERS
R201	KITCHEN / DINING / LIVING	ENG WD	6" WD PTD	P	P	P	P	GWB, P	
R202	CLST	ENG WD	6" WD PTD	P	P	P	P	GWB, P	
R203	POWDER	CT	6" WD PTD	P	P	P	P	GWB, P	
R204	LNDRY	CT	CT BASE	P	P	P	P	GWB, P	
R205	BED RM 1	CPT-1	6" WD PTD	P	P	P	P	GWB, P	
R206	CLST	CPT-1	6" WD PTD	P	P	P	P	GWB, P	
R207	MECH	CT	6" WD PTD	P	P	P	P	GWB, P	
R208	POWDER	CT	6" WD PTD	P	P	P	P	GWB, P	
R209	LINEN	CT	6" WD PTD	P	P	P	P	GWB, P	
R210	BED RM 2	CPT-1	6" WD PTD	P	P	P	P	GWB, P	
R211	CLST	CPT-1	6" WD PTD	P	P	P	P	GWB, P	

NOTE:
PROVIDE EPOXY PAINT AT BATHROOMS AND POWDER ROOMS

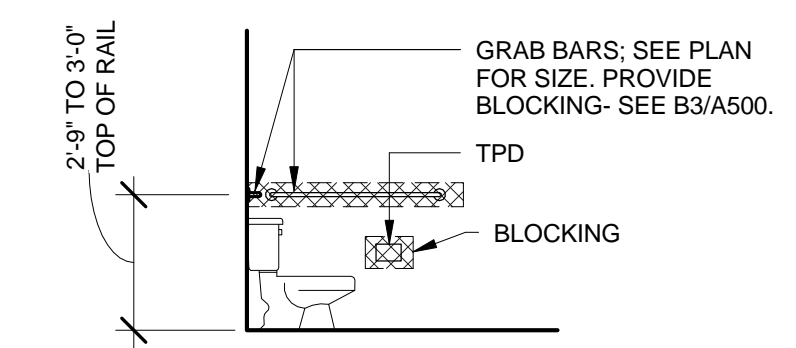


- MOUNTING HEIGHT GENERAL NOTES:**
- SEE MECHANICAL, ELECTRICAL, AND TECHNOLOGY DRAWINGS FOR SPECIFIC FIXTURE OR DEVICE LOCATION AND DESIGNATION AND ADDITIONAL MOUNTING REQUIREMENTS
 - COORDINATE LOCATION OF ALL RECEPTACLES, FIXTURES OR DEVICES WITH INTERIOR ELEVATIONS AND CASEWORK LOCATIONS.
 - REFER TO MANUFACTURER'S INSTRUCTIONS FOR SPECIFIC ADA REQUIRED MOUNTING HEIGHTS AS APPLICABLE.

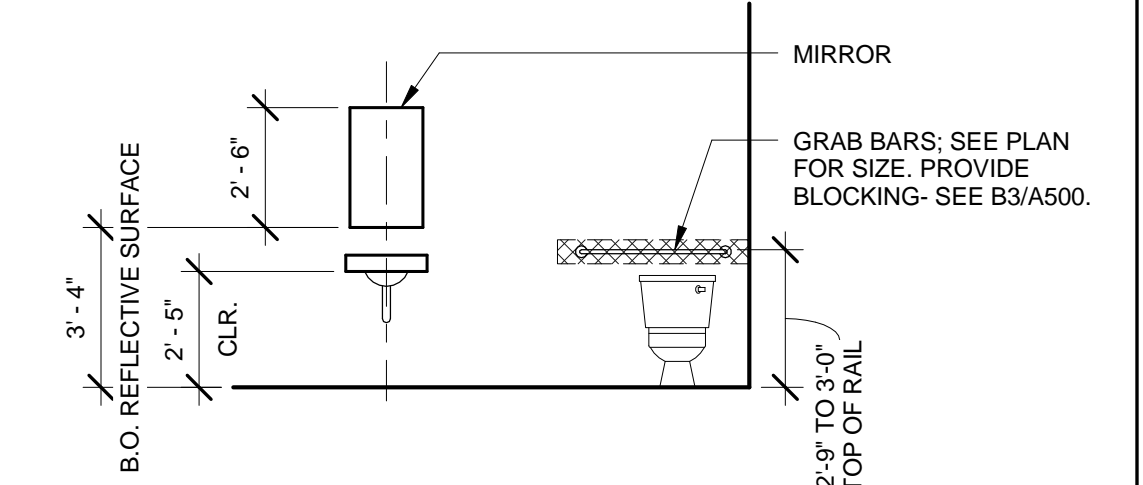
D2 TYPICAL MOUNTING HEIGHTS
3/16" = 1'-0"



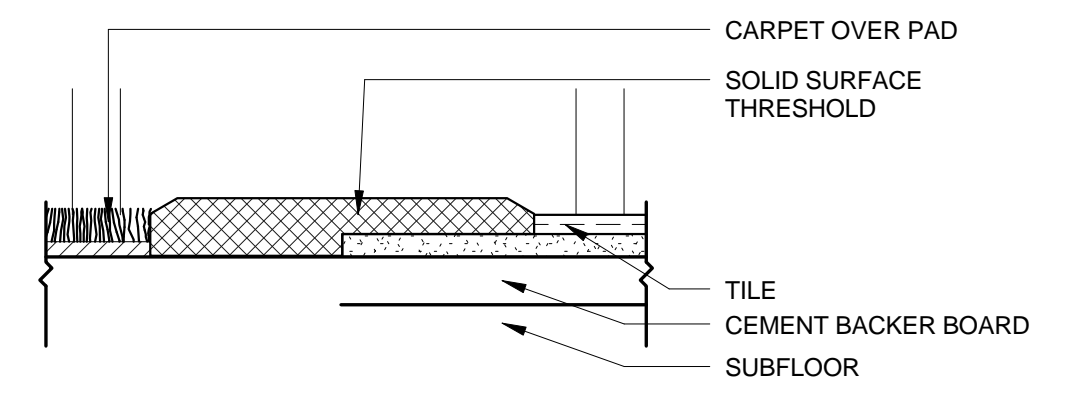
C1 TYPICAL BARRIER FREE SINGLE TOILET PLAN
1/4" = 1'-0"



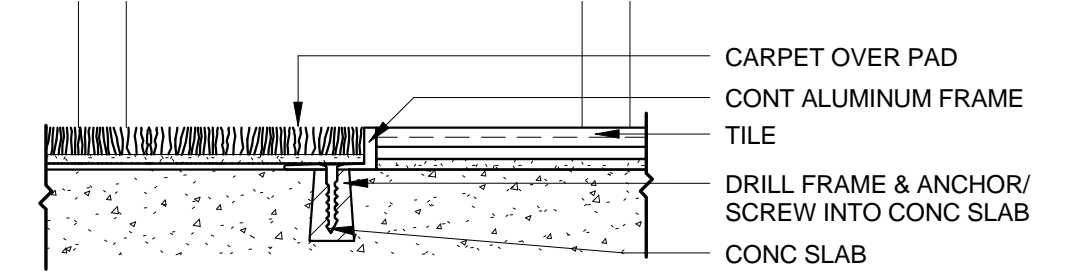
B1B TYPICAL BARRIER FREE WATER CLOSET ASSEMBLY ELEVATION
1/4" = 1'-0"



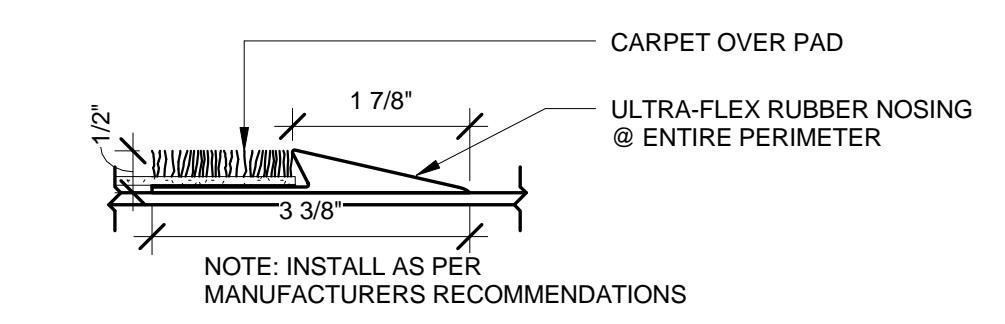
B1A TYPICAL BARRIER FREE LAVATORY ASSEMBLY ELEVATION
1/4" = 1'-0"



TYPICAL AT BATHROOMS



TYPICAL AT POWDER ROOMS



NOTE: INSTALL AS PER MANUFACTURERS RECOMMENDATIONS

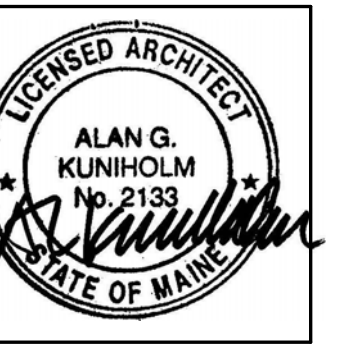
A1 CPT to ENGINEERED WOOD
6" = 1'-0"



49 DARTMOUTH STREET
PORTLAND, MAINE 04101
207-775-1059
www.pdtarch.com

COPYRIGHT 2012
PDT Architects
Reuse or reproduction of the contents of this document is not permitted without written permission of PDT Architects.

ADAMS SCHOOL REDEVELOPMENT
Portland, Maine



JOB NO.
08-056

DRWN. CHK
Checker

SCALE:
As indicated

ISSUE
5 MARCH 2012

TITLE
FINISH SCHEDULE & DETAILS

SHEET
A601