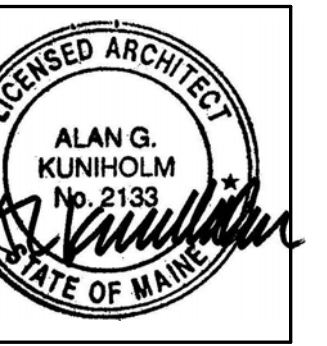




49 DARTMOUTH STREET  
PORTLAND, MAINE 04101  
207-775-1059  
www.pdtarch.com

COPYRIGHT 2012  
PDT Architects  
Reuse or reproduction of the  
contents of this document is not  
permitted without written  
permission of PDT Architects.

ADAMS SCHOOL REDEVELOPMENT  
Portland, Maine



JOB NO.  
08-056

DRWN. CHK  
Checker

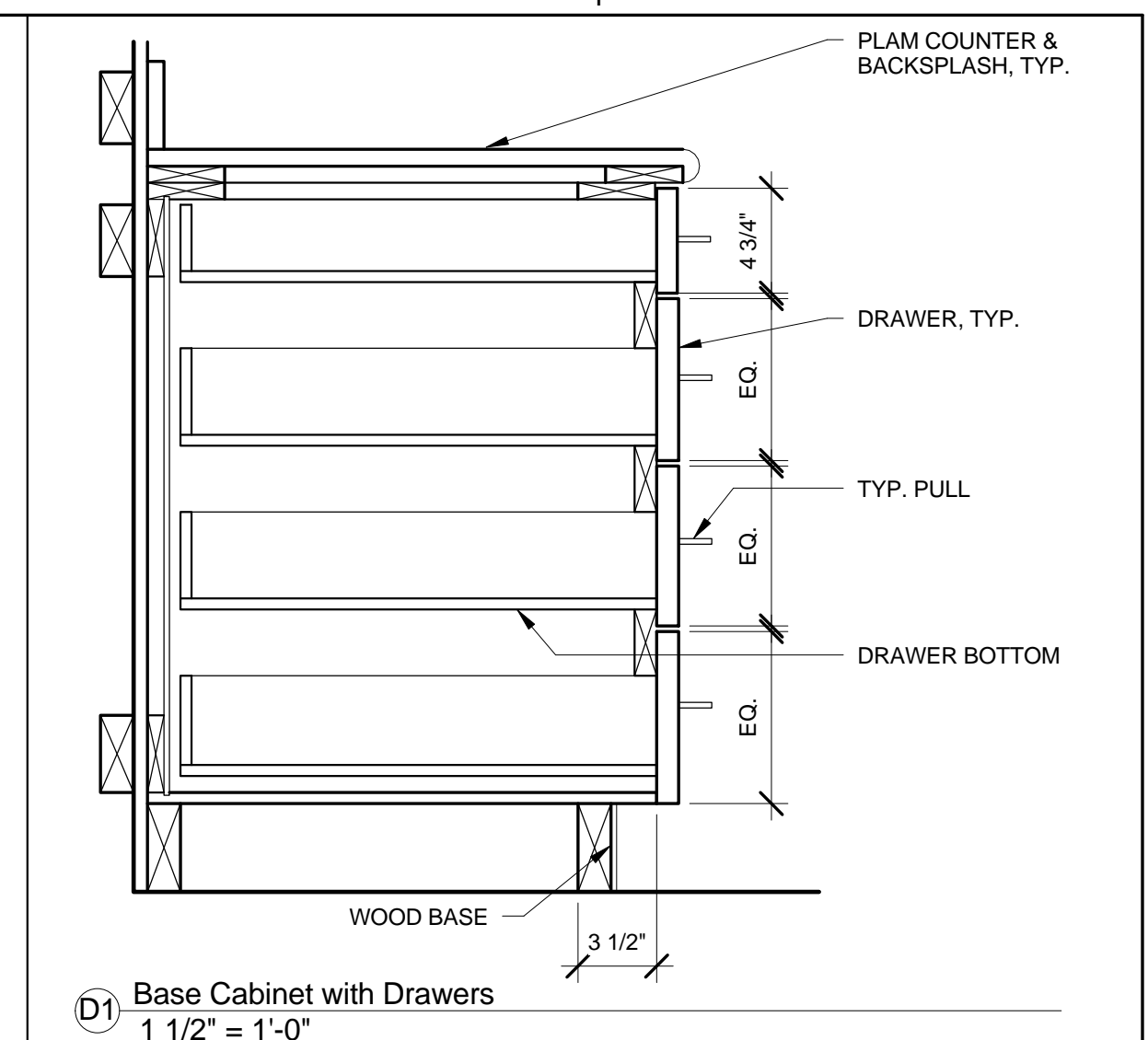
SCALE:  
1 1/2" = 1'-0"

ISSUE  
5 MARCH 2012

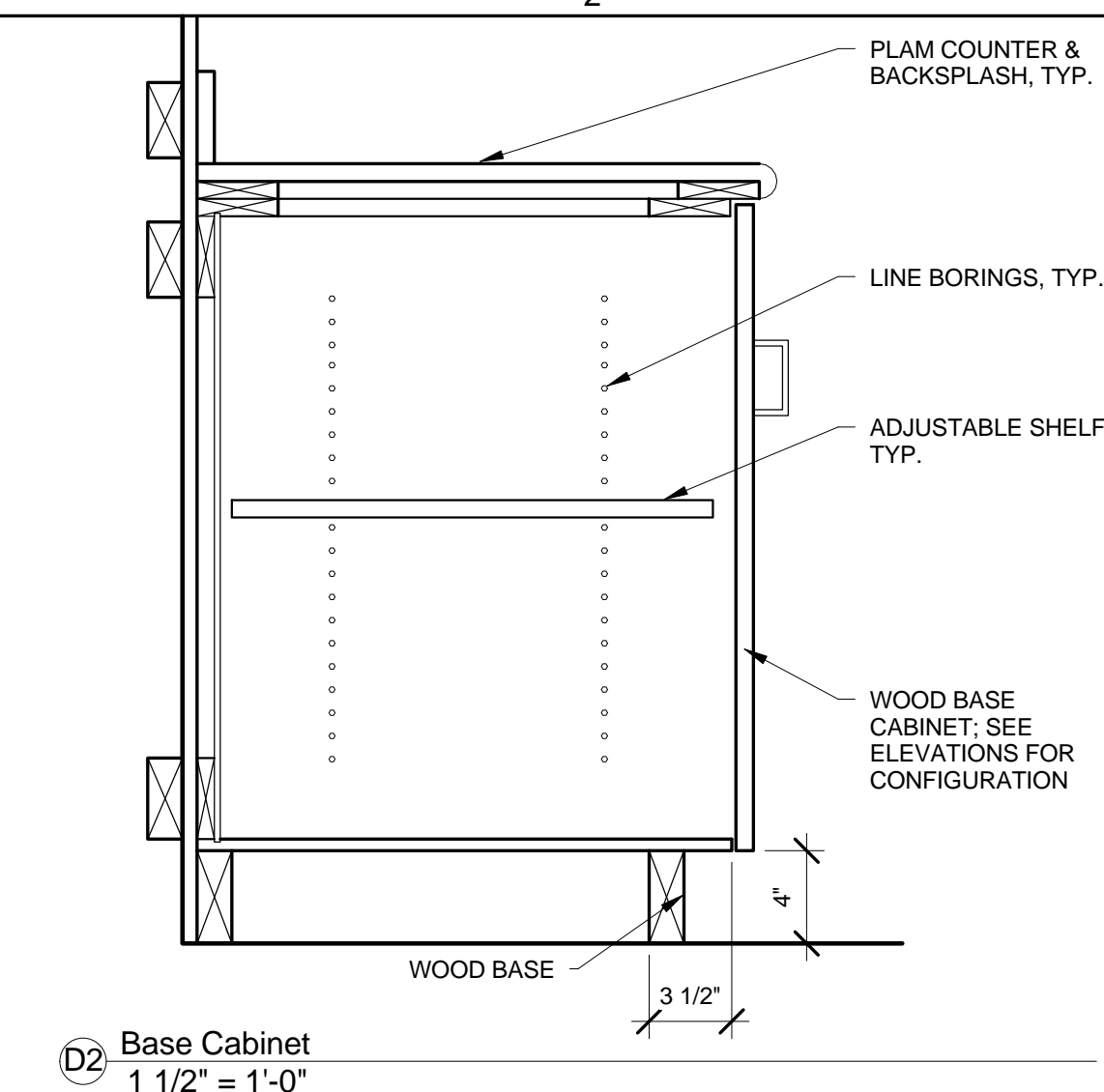
TITLE  
CASEWORK  
DETAILS

SHEET

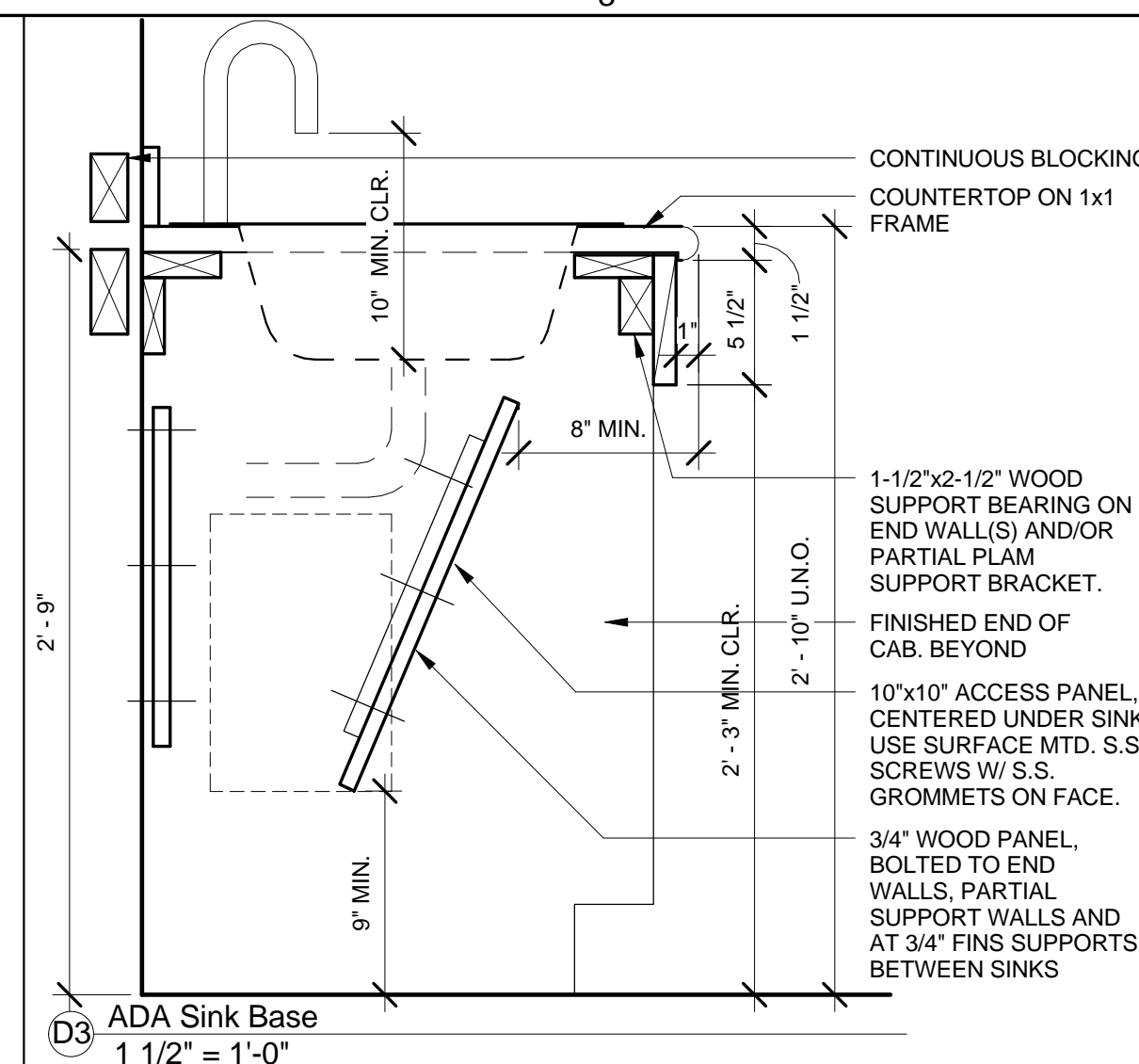
A506



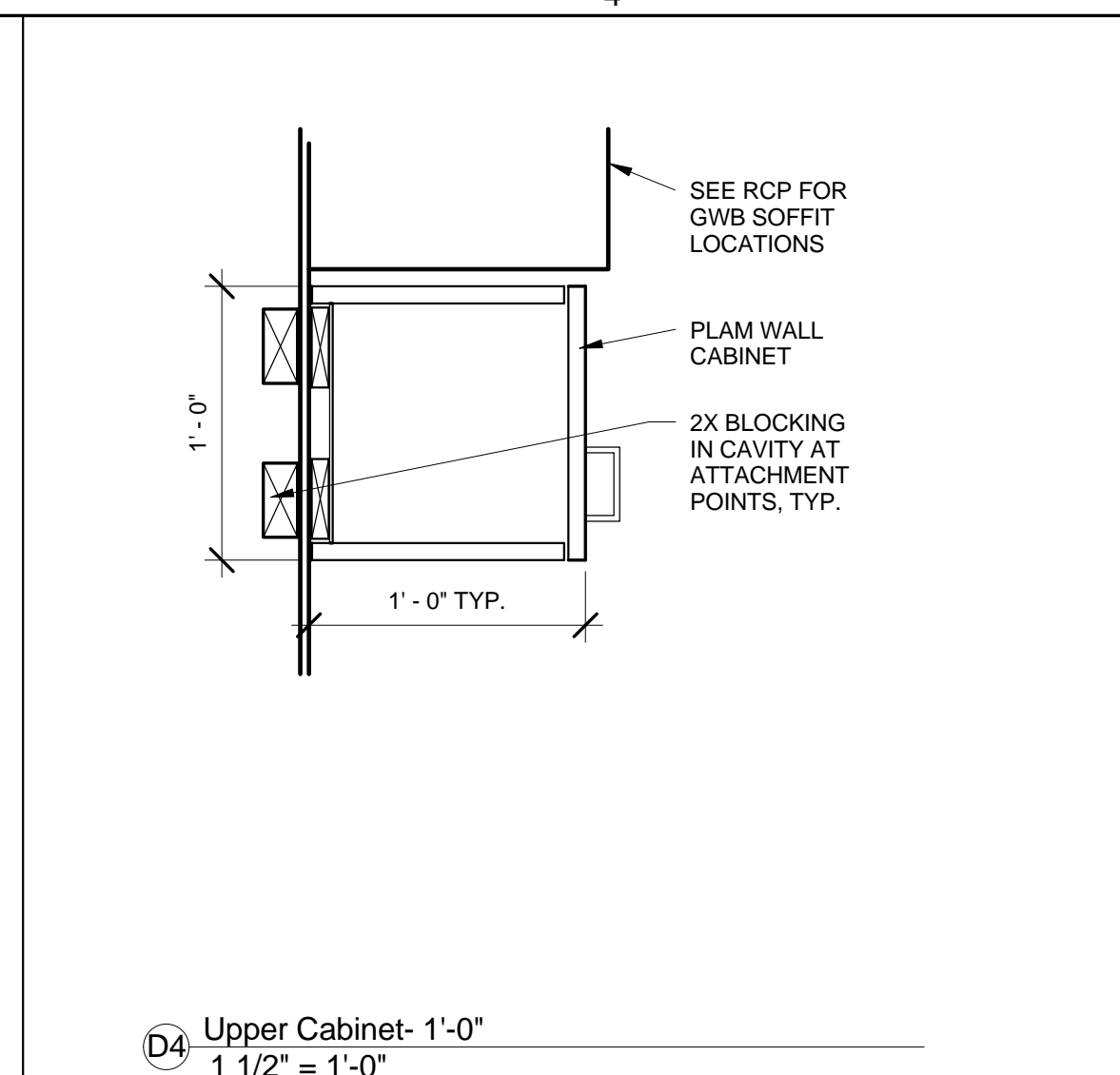
D1 Base Cabinet with Drawers  
1 1/2" = 1'-0"



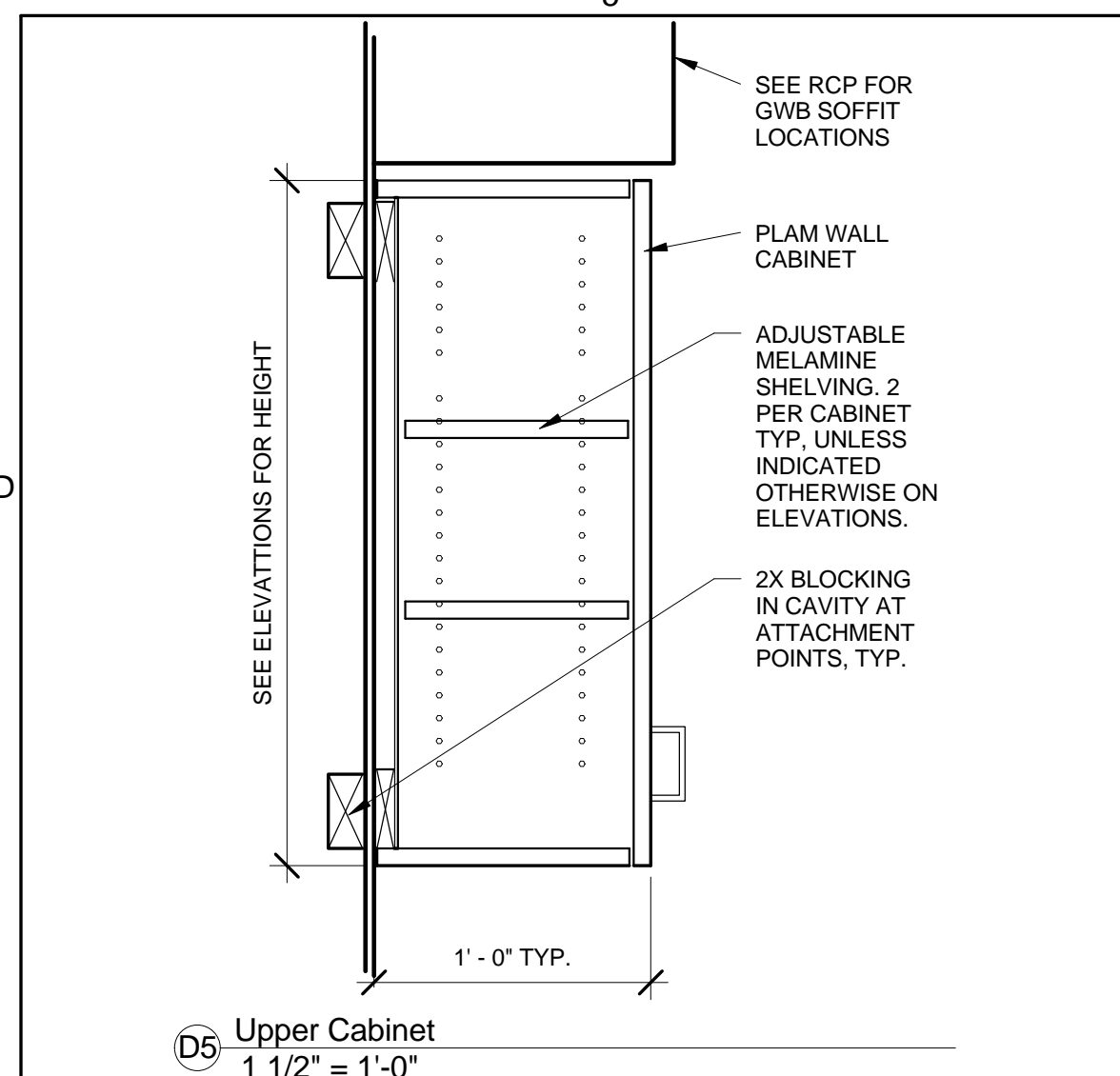
D2 Base Cabinet  
1 1/2" = 1'-0"



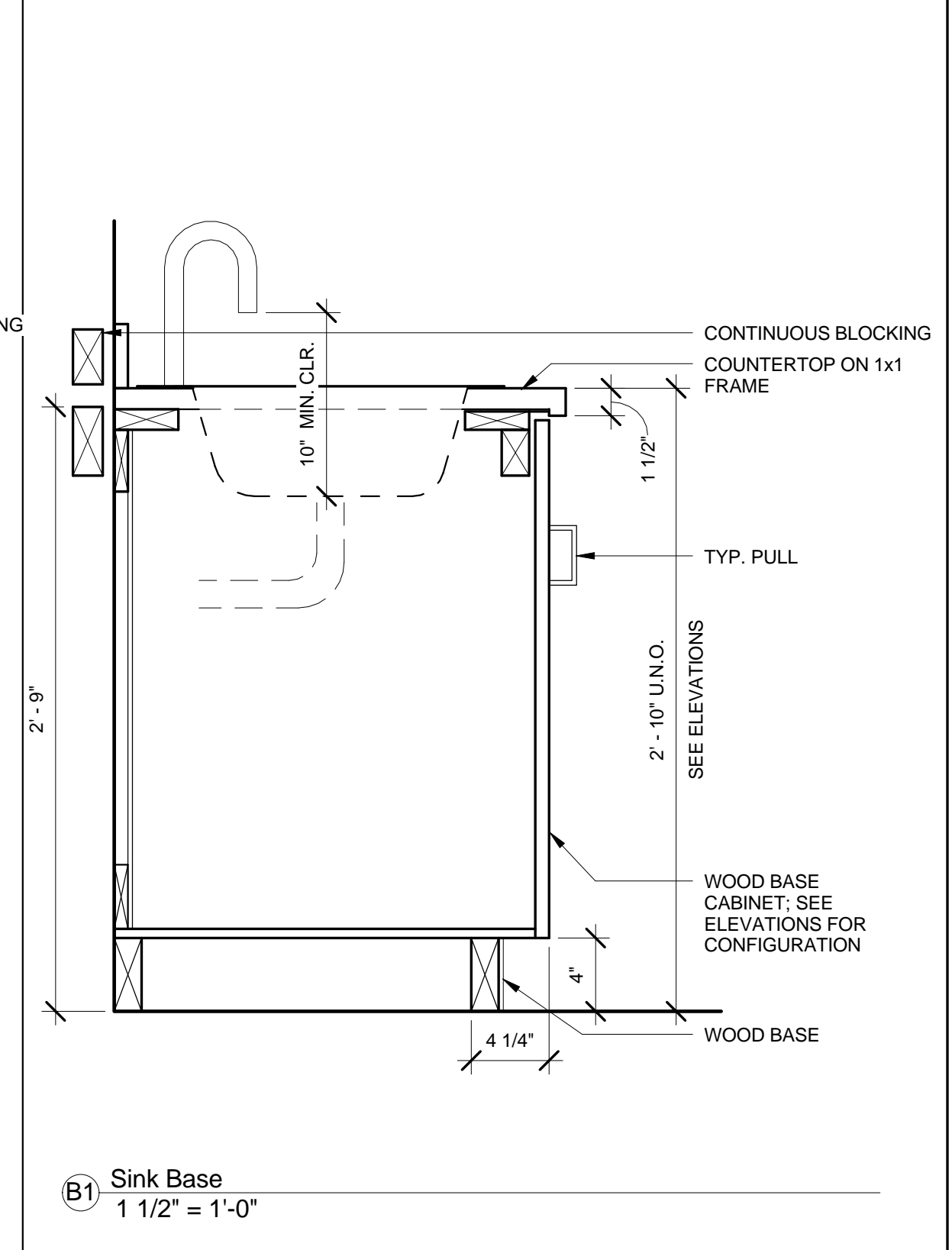
D3 ADA Sink Base  
1 1/2" = 1'-0"



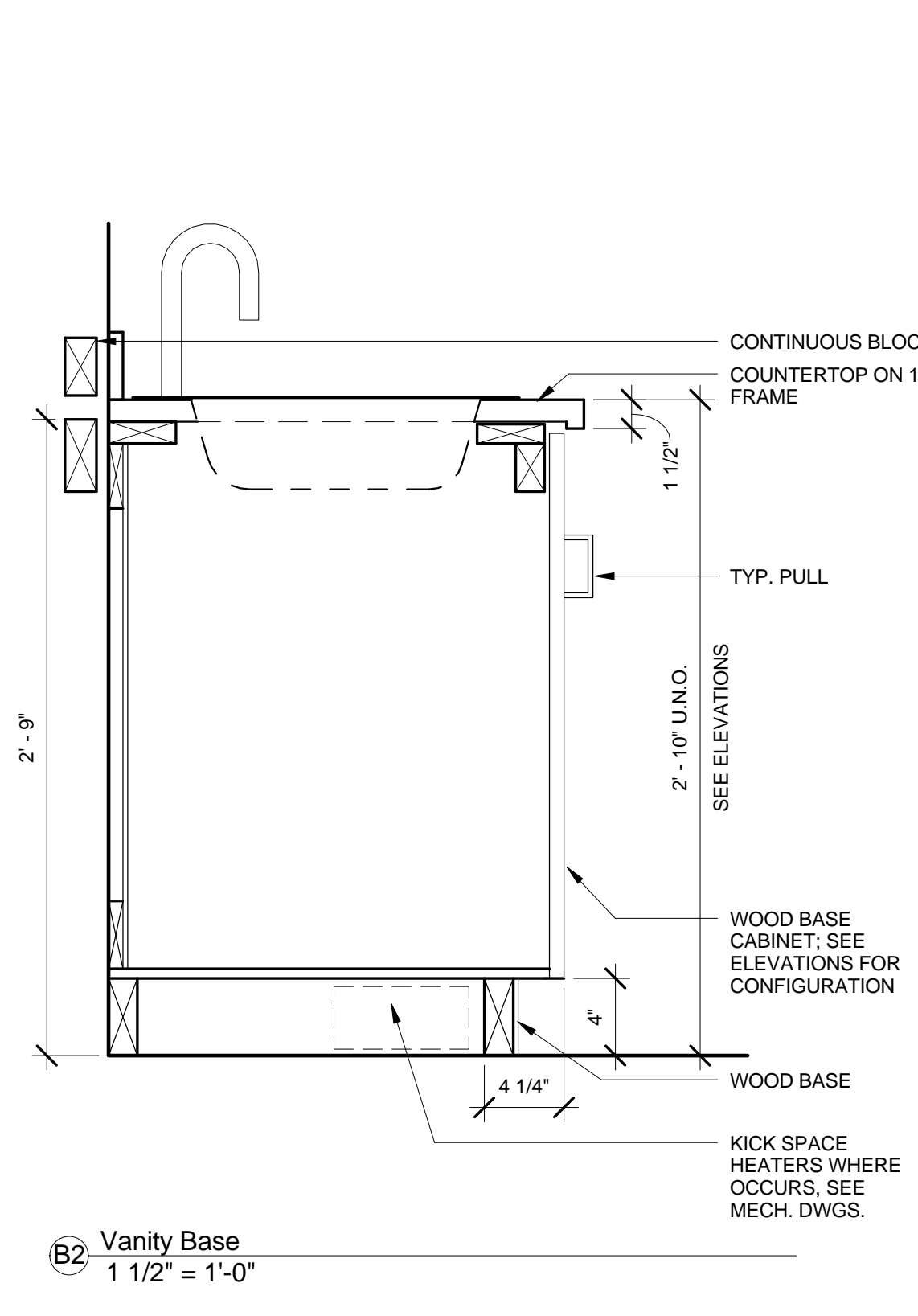
D4 Upper Cabinet - 1'-0"  
1 1/2" = 1'-0"



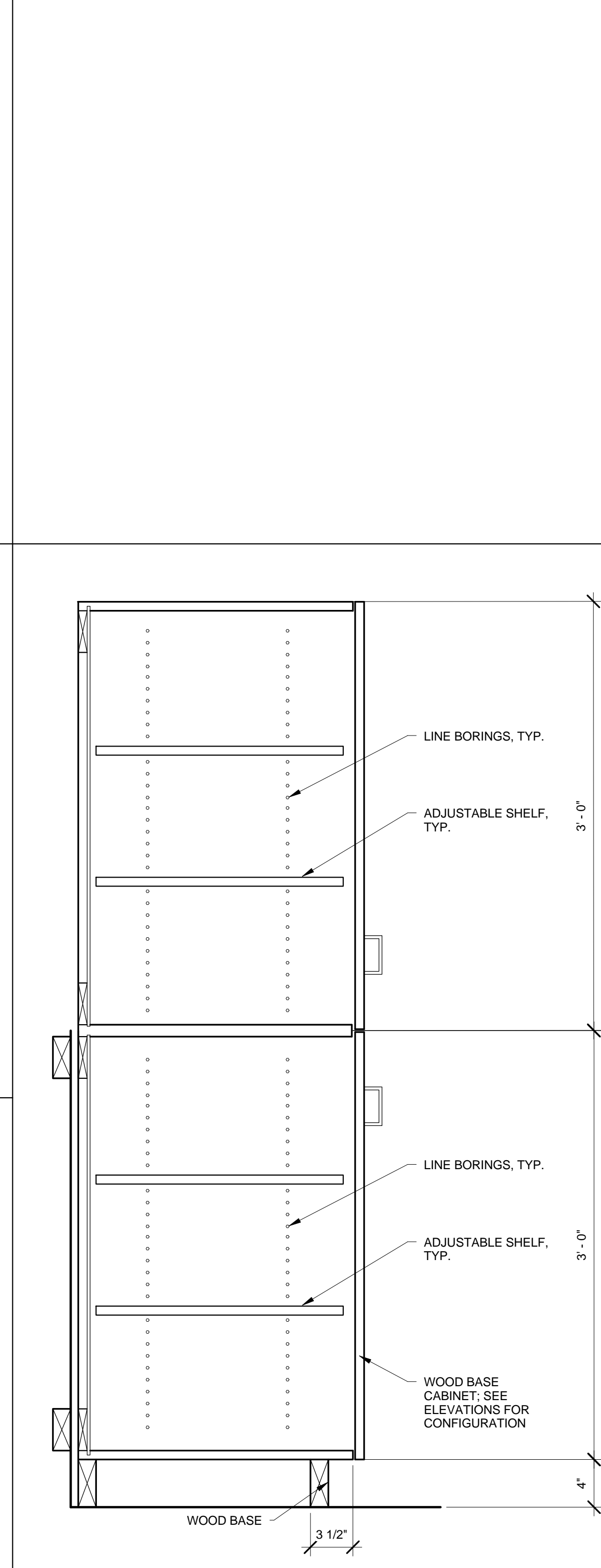
D5 Upper Cabinet  
1 1/2" = 1'-0"



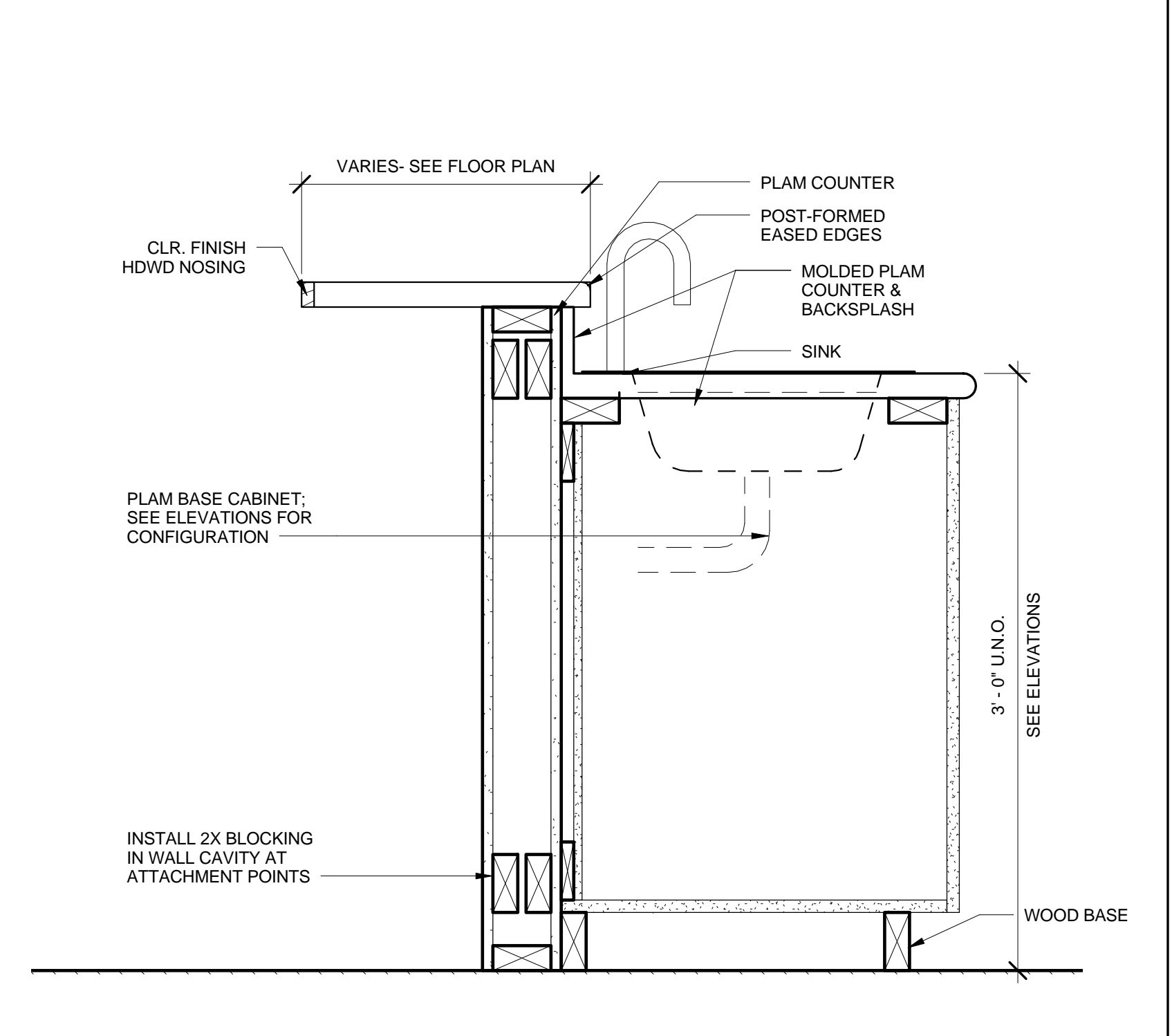
B1 Sink Base  
1 1/2" = 1'-0"



B2 Vanity Base  
1 1/2" = 1'-0"



A3 Full Height Cabinet  
1 1/2" = 1'-0"



A1 KITCHEN ISLAND  
1 1/2" = 1'-0"