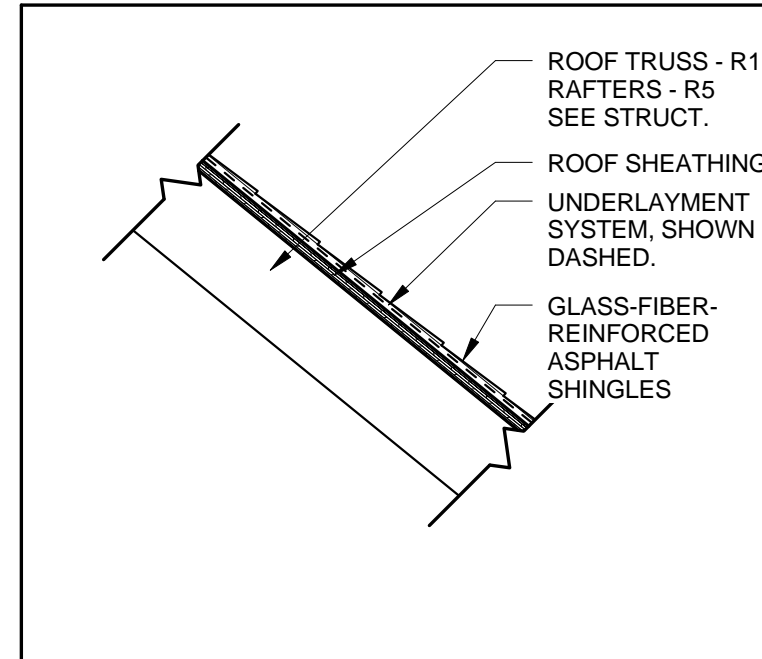


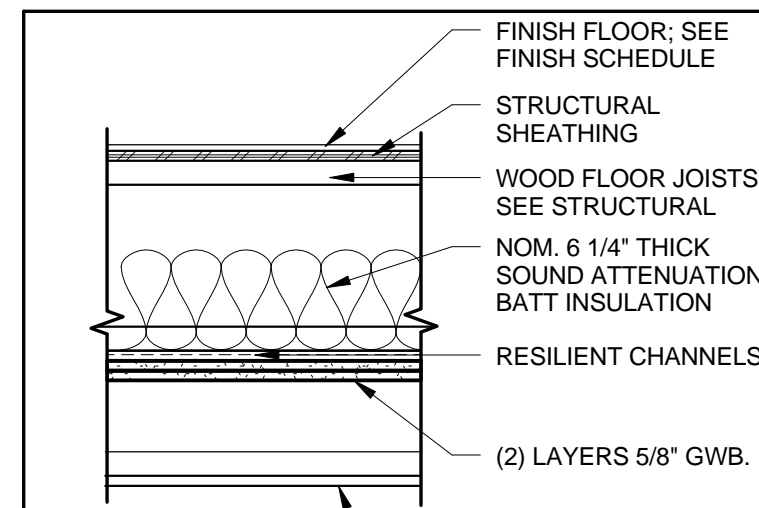
ROOF ASSEMBLIES



ASPHALT SHINGLE ROOF ASSEMBLY
AT ROOF TRUSS - R1
AT RAFTERS - R5

R1 R5

FLOOR ASSEMBLIES

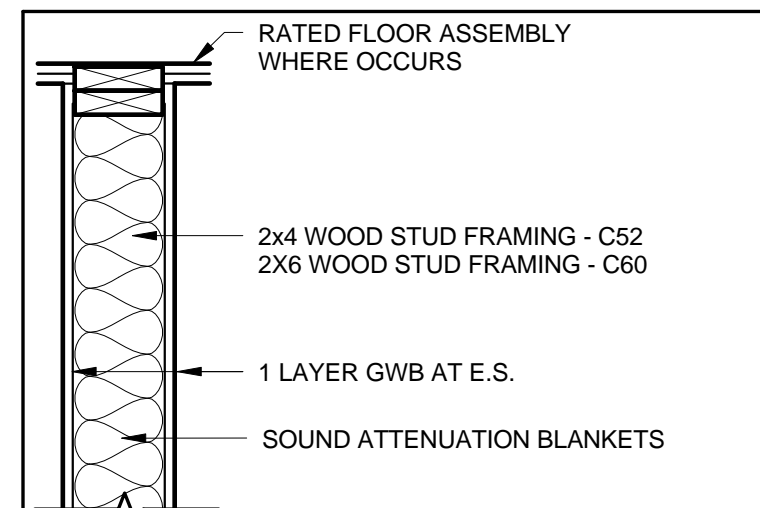


FIRE TEST:
1889d on UL L544
GA No. FC 5522
SOUND TRANSMISSION:
STC 50

WOOD TRUSS FLOOR / CEILING ASSEMBLY
1 HR FIRE RATED

F1

INTERIOR PARTITIONS

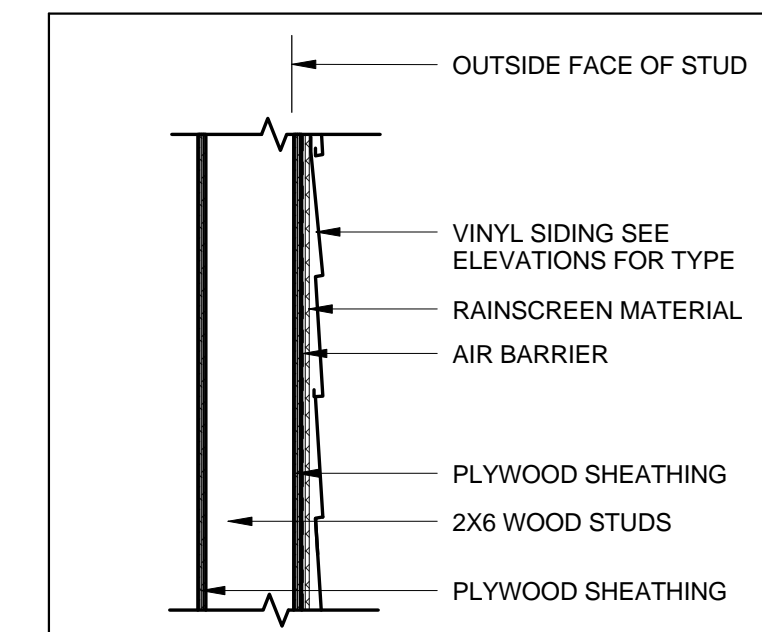


NOTES:
1. USE MR GWB AT BATH, POWDER, LAUNDRY ROOMS AND KITCHENS.
2. SEAL ALL PENETRATIONS TO RESIST THE PASSAGE OF SMOKE PER NFPA 101

WOOD STUD PARTITION FULL HEIGHT

C52 C60

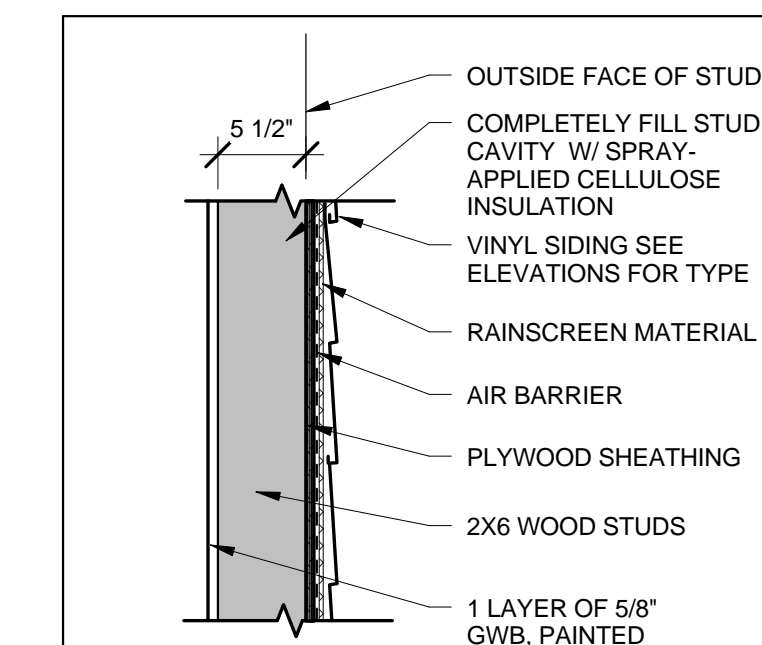
EXTERIOR WALLS



VINYL SIDING AT 6" WOOD STUD - NON-INSULATED

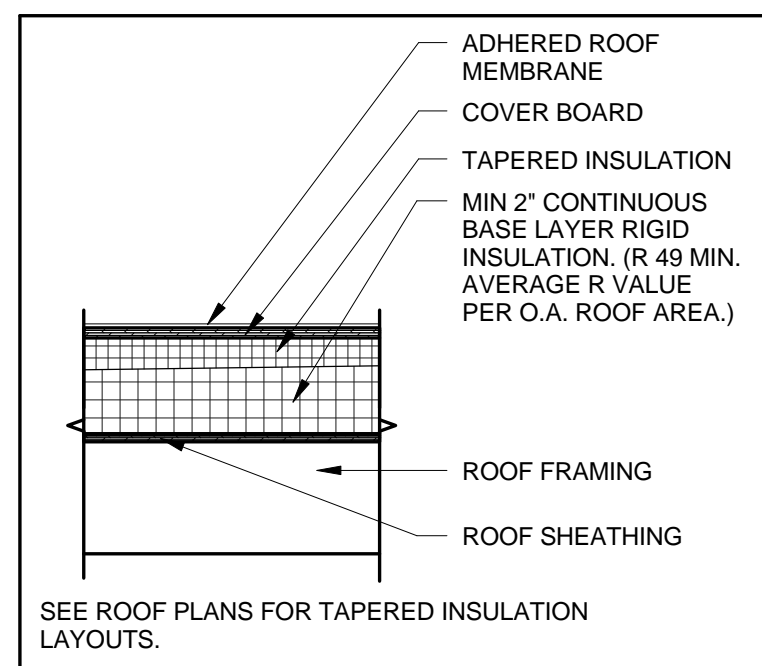
C14

EXTERIOR WALLS



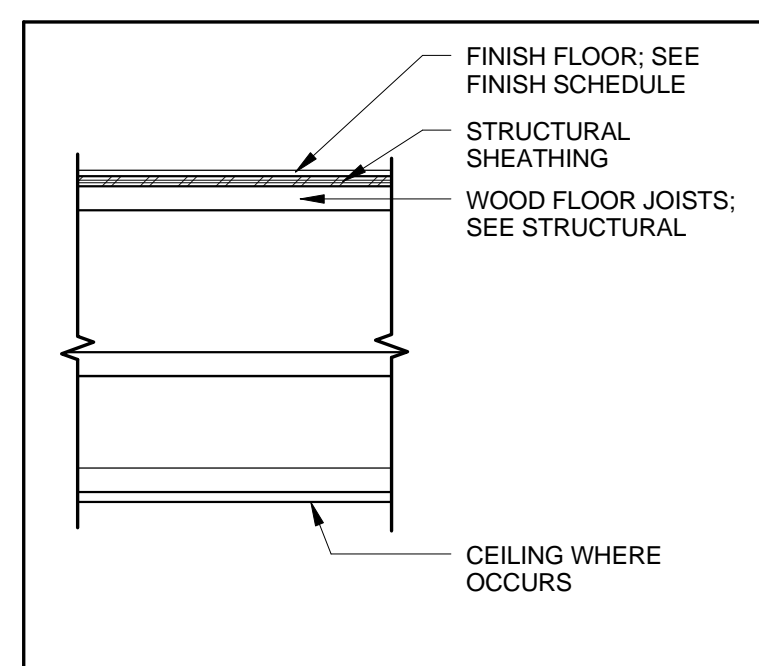
VINYL SIDING AT 6" WOOD STUD

C11



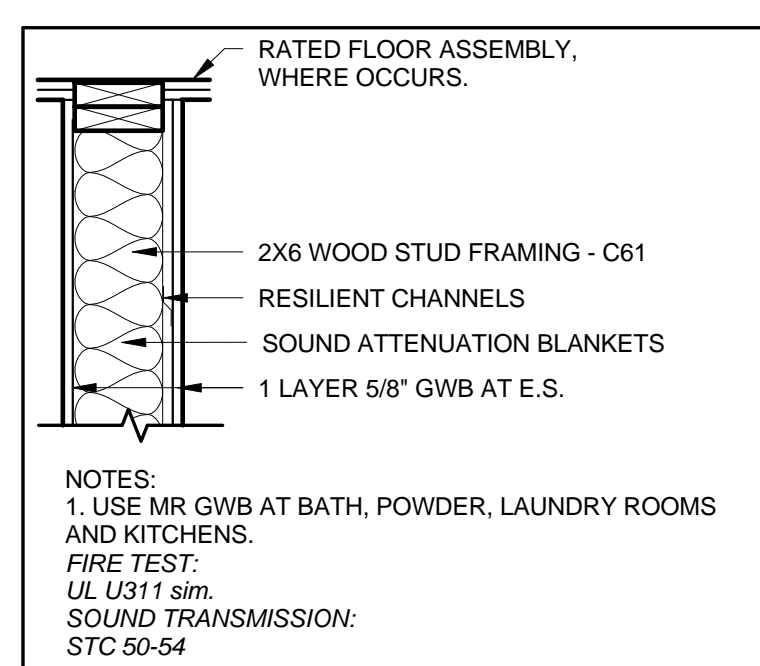
SINGLE-PLY MEMBRANE ROOFING - INSULATED ROOF

R2



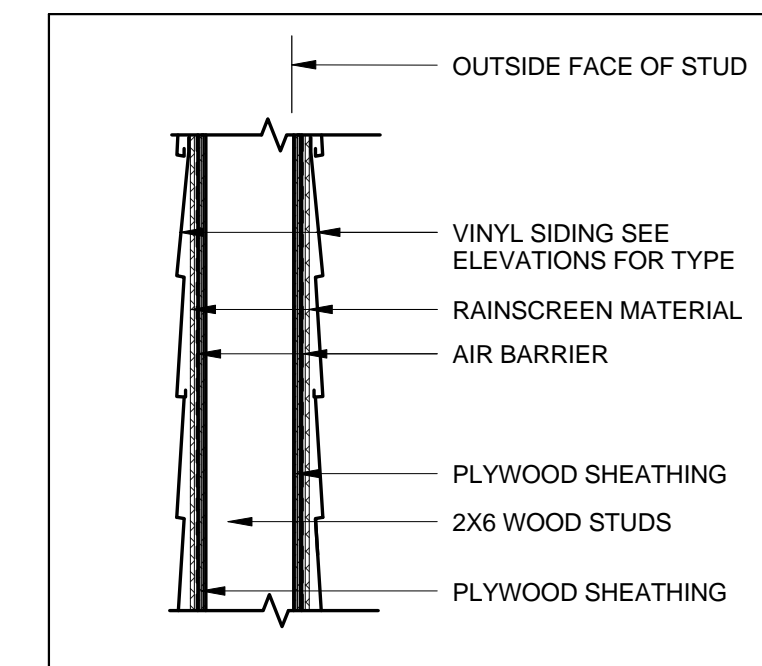
WOOD TRUSS FLOOR / CEILING ASSEMBLY

F2



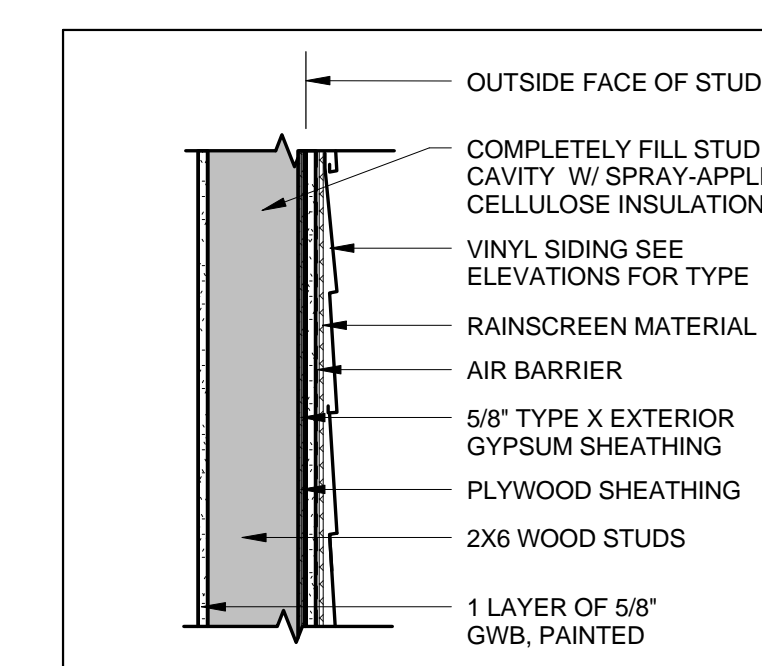
WOOD STUD PARTITION FULL HEIGHT - 1 HR
GA FILE NO WP 3661

C61



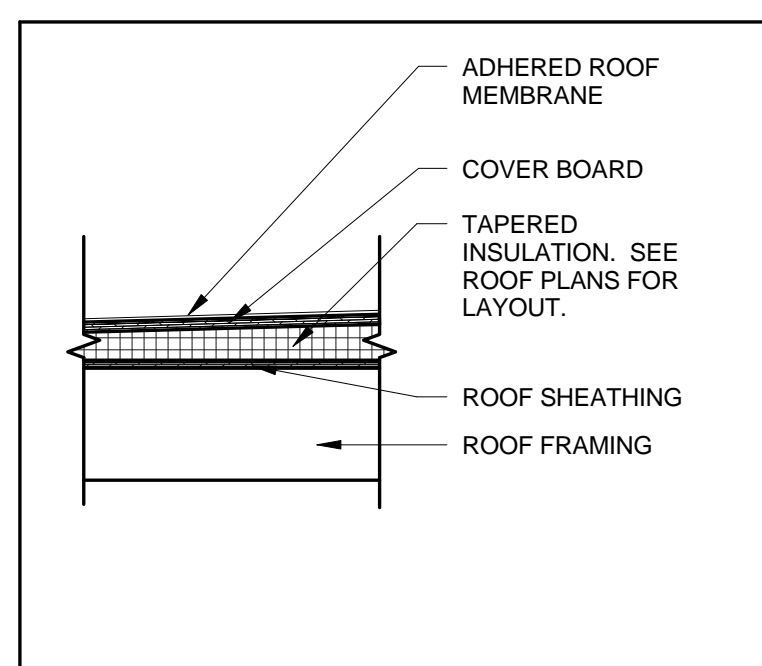
VINYL SIDING BOTH SIDES AT 6" WOOD STUD - NON-INSULATED

C15



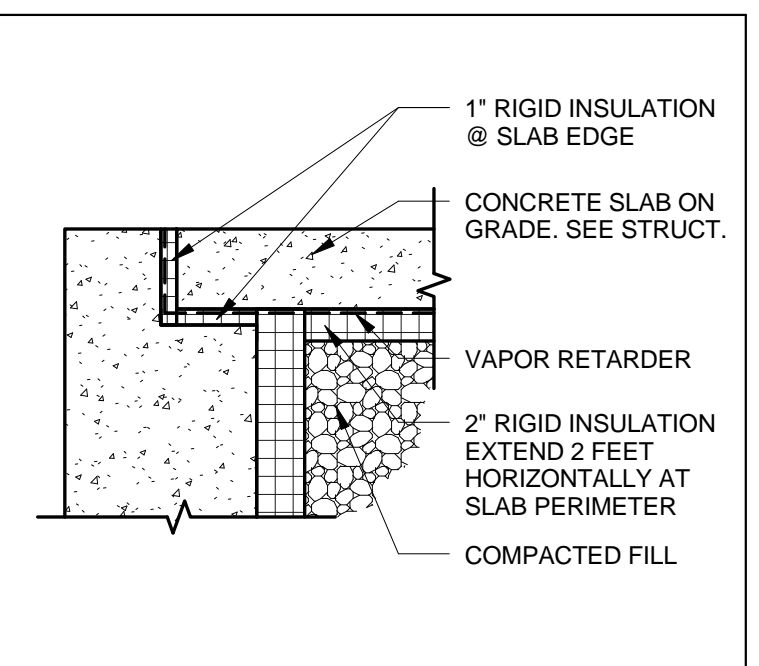
VINYL SIDING AT 6" WOOD STUD - 1 HR

C12



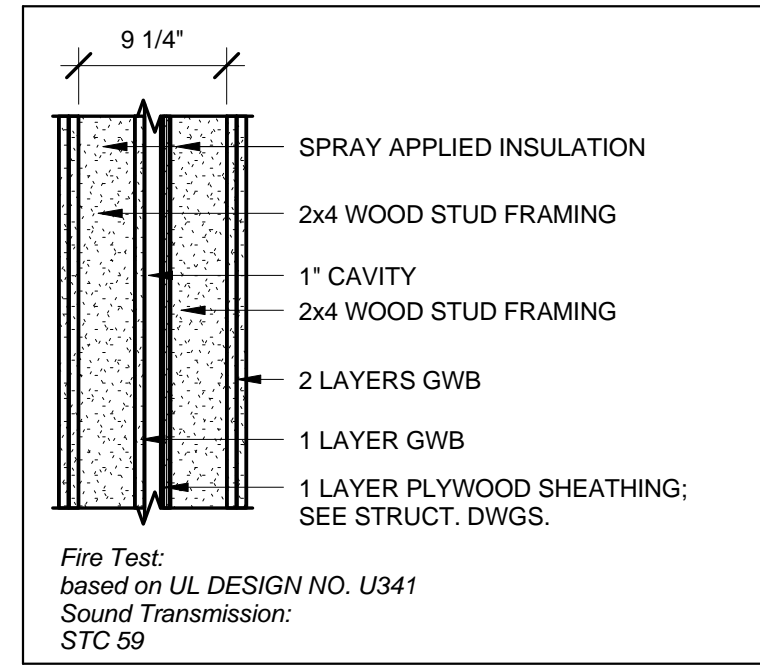
SINGLE-PLY MEMBRANE ROOFING - UNINSULATED ROOF

R3



SLAB ON GRADE

F3

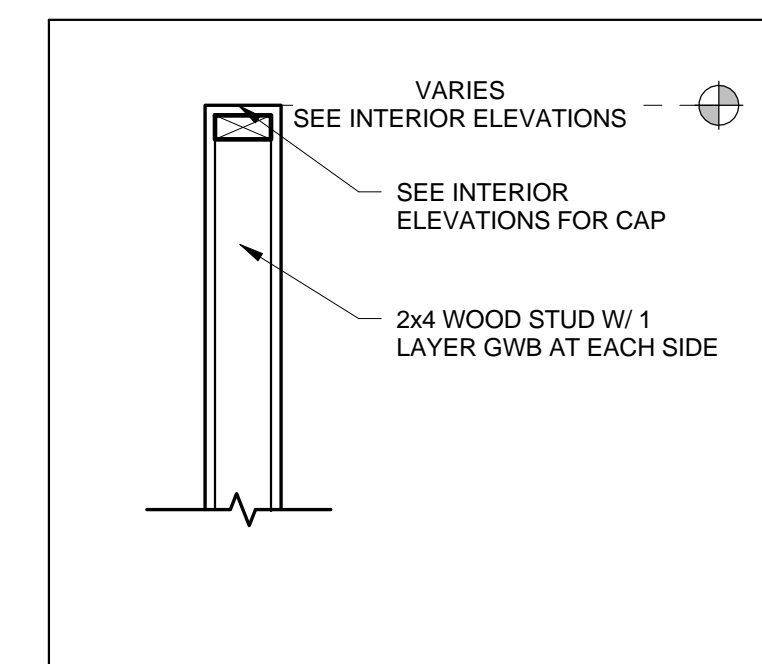


Fire Test:
based on UL DESIGN NO. U341
Sound Transmission:
STC 59

DOUBLE STUD PARTY WALL FULL HEIGHT
1- HOUR FIRE-RATED

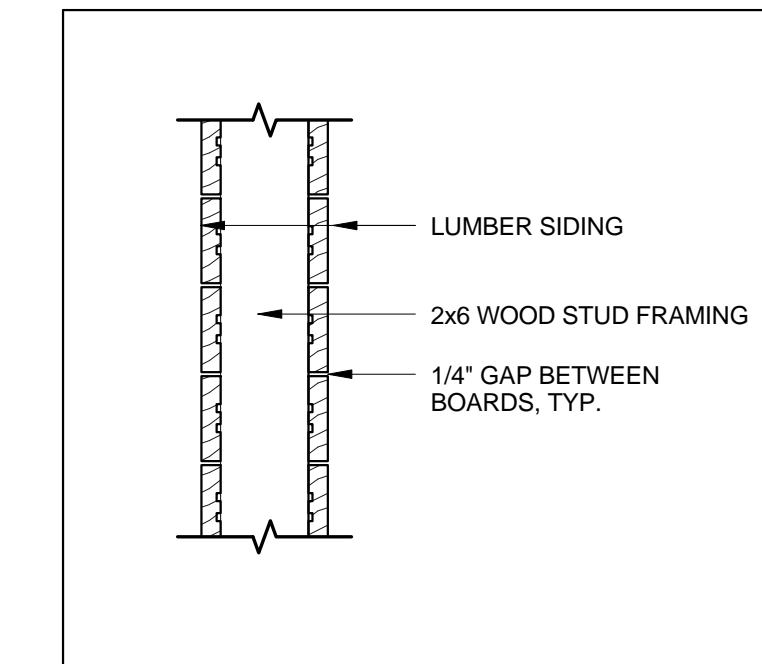
C55

PARTIAL HEIGHT PARTITIONS



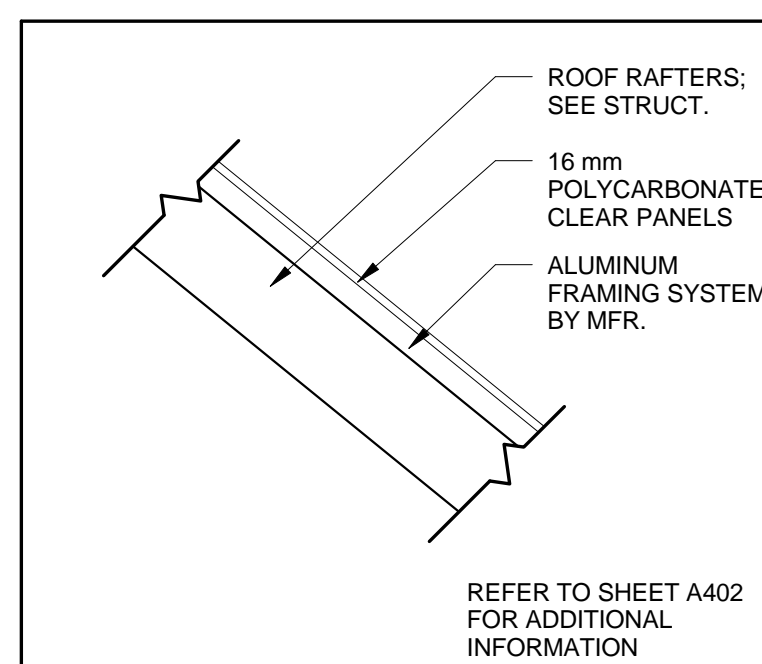
WOOD STUD PARTITION PARTIAL HEIGHT

C53



WOOD STUD PARTITION AT STOOPS

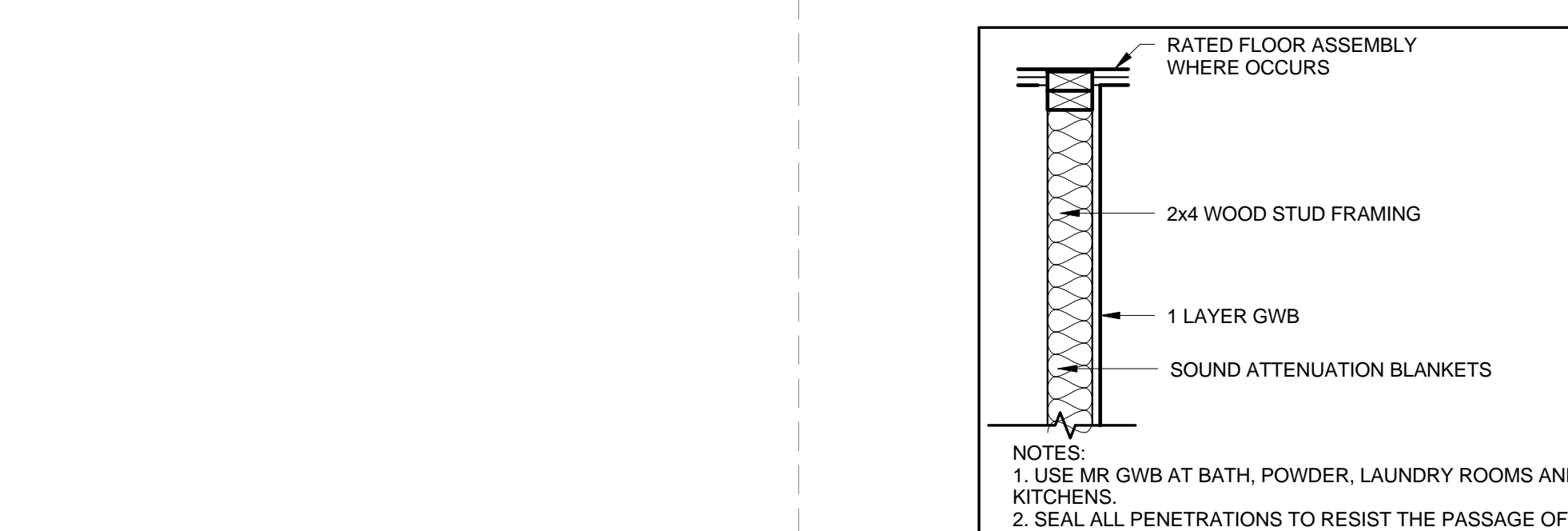
C13



REFER TO SHEET A402 FOR ADDITIONAL INFORMATION

TRANSLUCENT DAYLIGHTING SYSTEM

R4

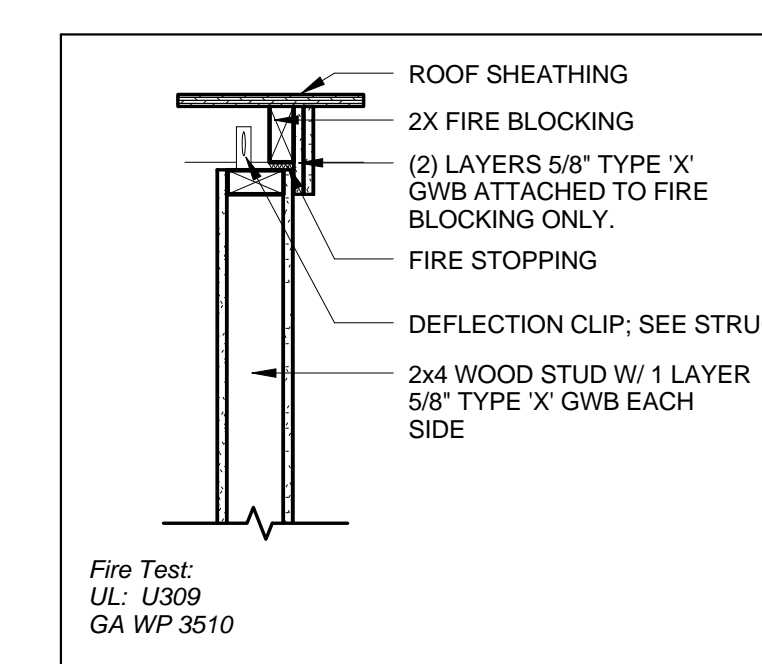


NOTES:
1. USE MR GWB AT BATH, POWDER, LAUNDRY ROOMS AND KITCHENS.
2. SEAL ALL PENETRATIONS TO RESIST THE PASSAGE OF SMOKE PER NFPA 101

FURRED PARTITION FULL HEIGHT

C57

INTERIOR PARTITION



Fire Test:
UL: U309
GA WP 3510

WOOD STUD PARTITION FULL HEIGHT - 1HR

C58

SYSTEM NOTES

- REFER TO SHEET A001 FOR NOTES, ABBREVIATIONS, AND LEGENDS
- AT STUD PARTITIONS, USE MR GWB AT ALL BATH, POWDER, LAUNDRY ROOMS AND KITCHENS
- ALL PENETRATIONS IN ASSEMBLIES SHALL BE SEALED, LINED, INSULATED, OR OTHERWISE TREATED TO MAINTAIN FIRE AND SOUND TRANSMISSION RATINGS.
- ALL ASSEMBLIES BETWEEN DWELLING UNITS SHALL HAVE A SOUND TRANSMISSION CLASS (STC) OF NOT LESS THAN 50 - 45 IF FIELD TESTED IN ACCORDANCE WITH IBC 2009 SECTION 1207.

GENERAL NOTES

- FILL VOIDS WITH FG BATT INSULATION WHERE STRUCTURAL, MECHANICAL, OR ELECTRICAL ITEMS PENETRATE NON-RATED WALLS; FILL VOIDS WITH FIRESTOPPING SYSTEM AT RATED WALLS.
- INTERIOR WOOD STUD PARTITIONS ARE C52 UNLESS NOTED OTHERWISE



49 DARTMOUTH STREET
PORTLAND, MAINE 04101
207-775-1059
www.pdtarch.com

COPYRIGHT 2012
PDT Architects

Reuse or reproduction of the contents of this document is not permitted without written permission of PDT Architects.

ADAMS SCHOOL REDEVELOPMENT
Portland, Maine



JOB NO.
08-056

DRWN. CHK
Checker

SCALE:
1" = 1'-0"

ISSUE
5 MARCH 2012

TITLE
ASSEMBLY SYSTEMS

SHEET

A002