

DESIGNED BY:
LARRY WICHROSKI, P.E.

DRAWN BY:
J. MORIN

JOB #:
05914

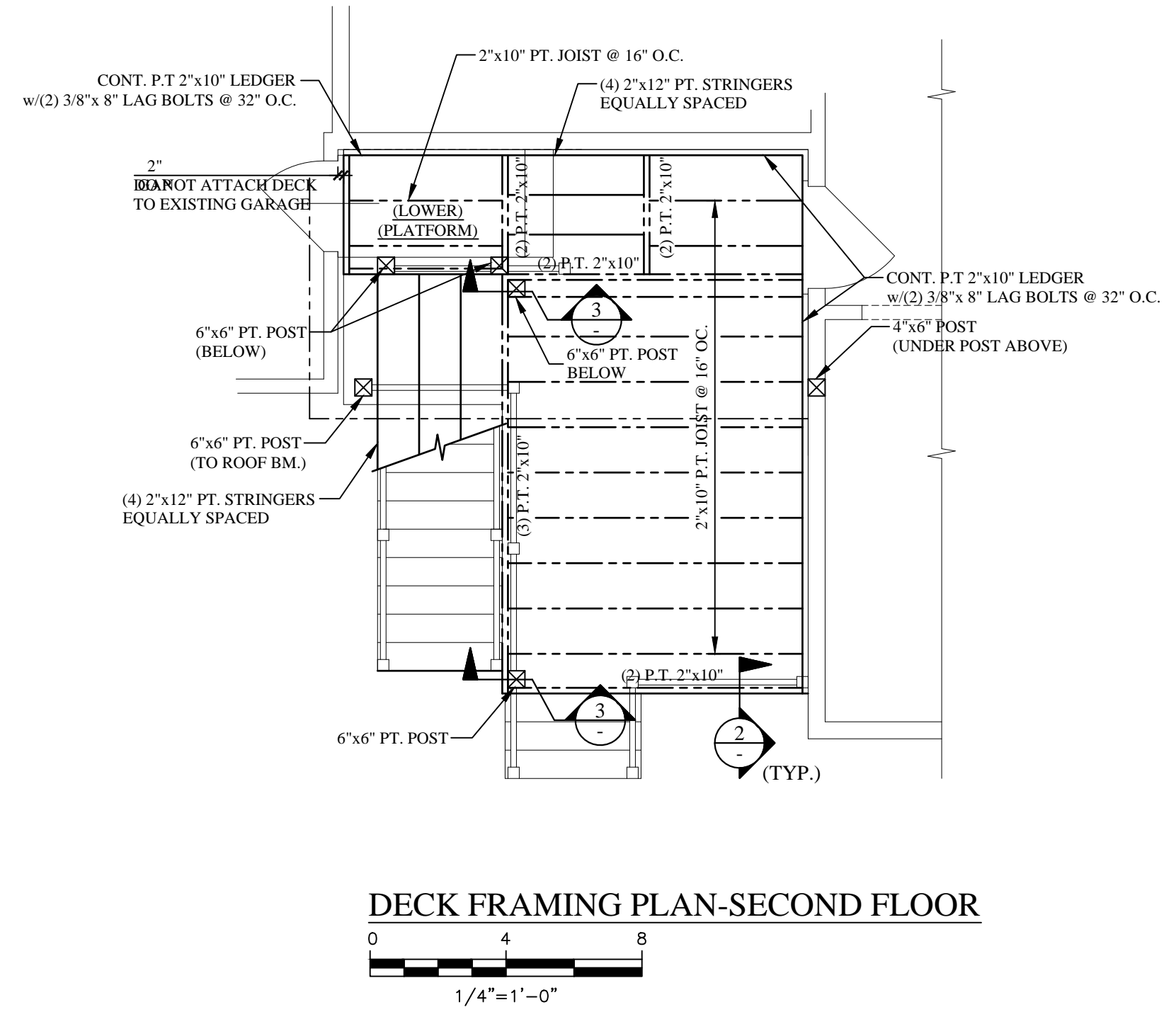
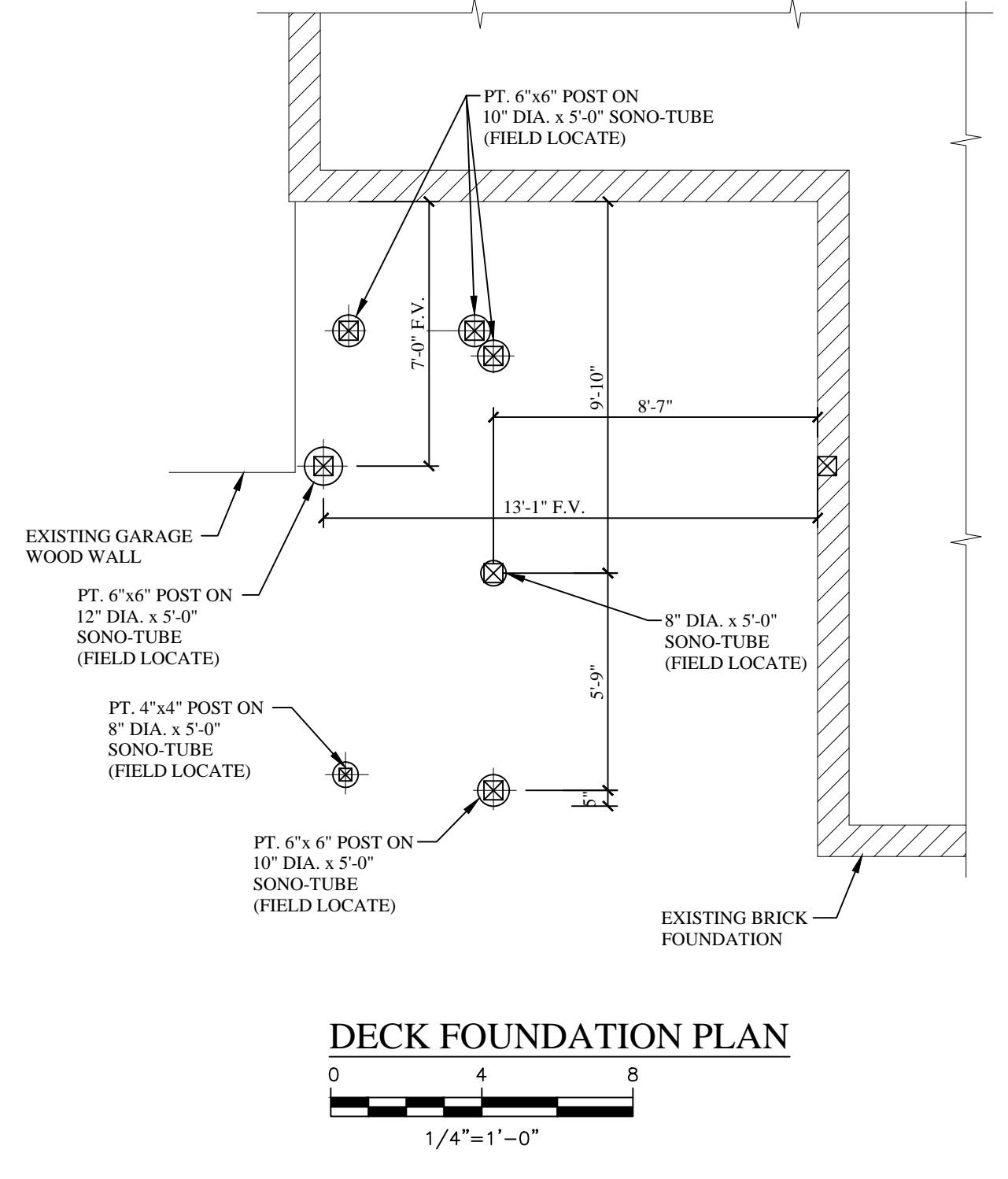
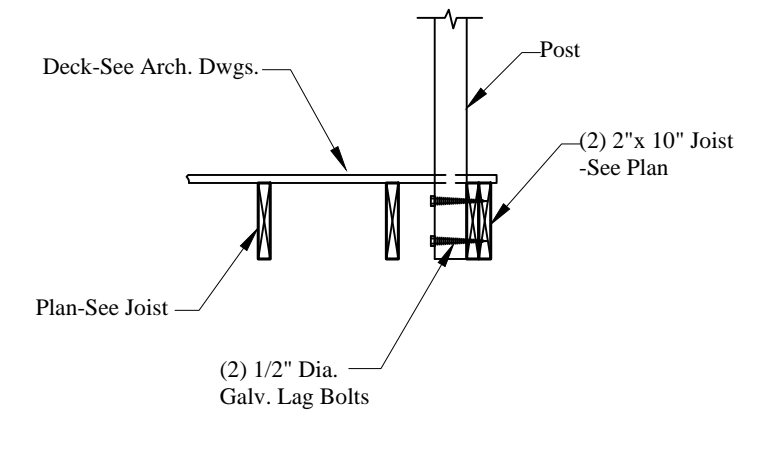
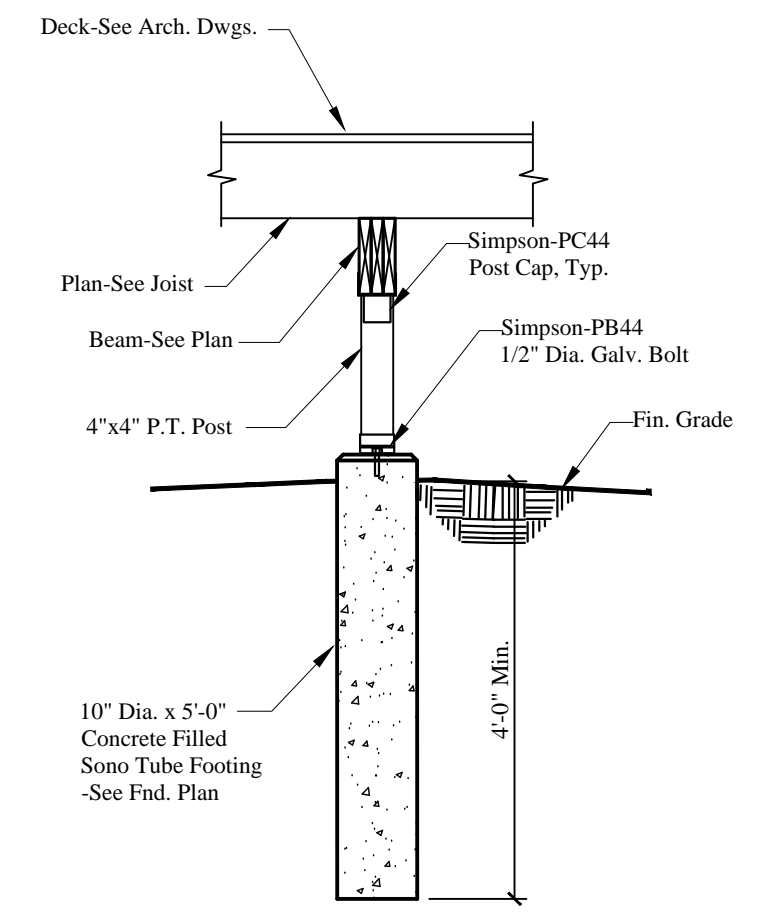
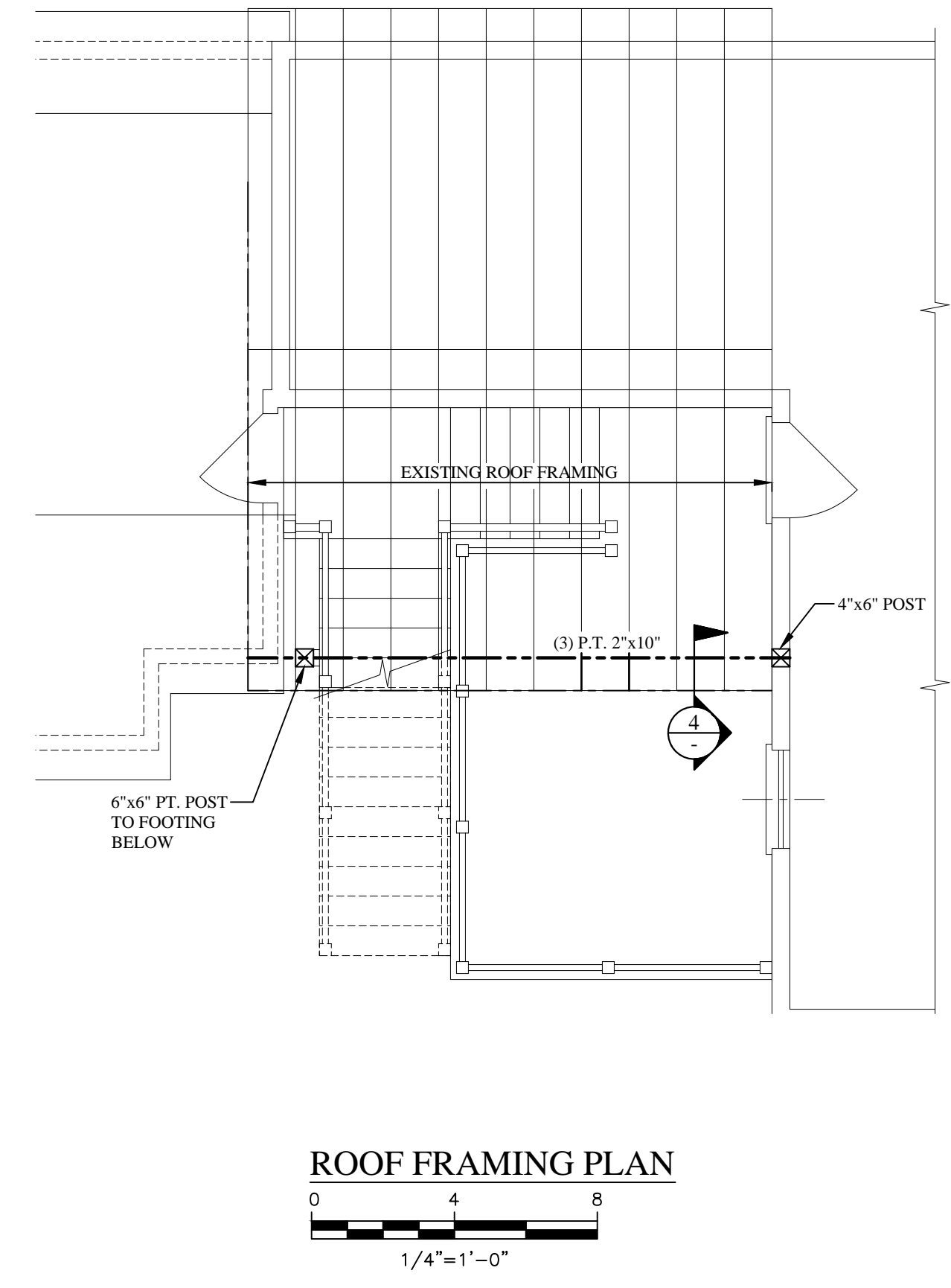
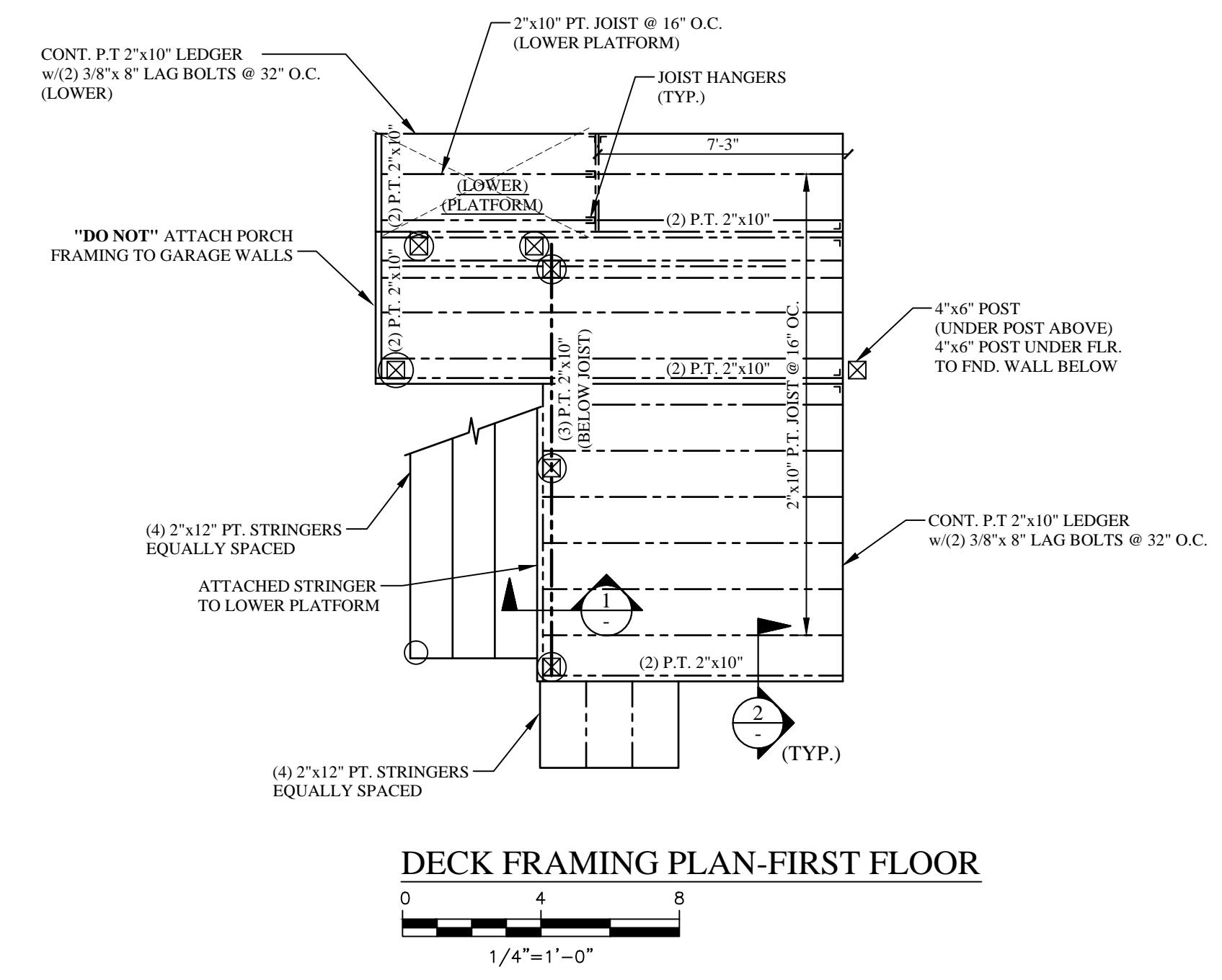
SCALE:
1/4"=1'-0"

DATE:
09-18-2014

REVISIONS

SHEET:

S1

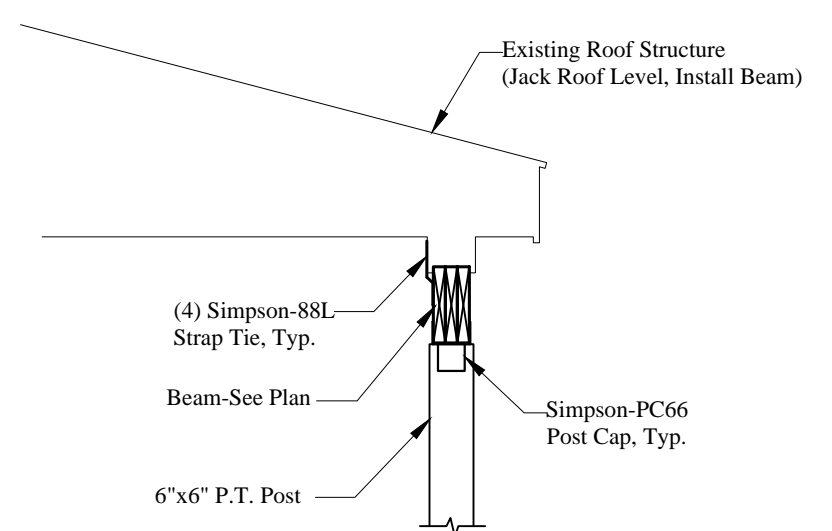
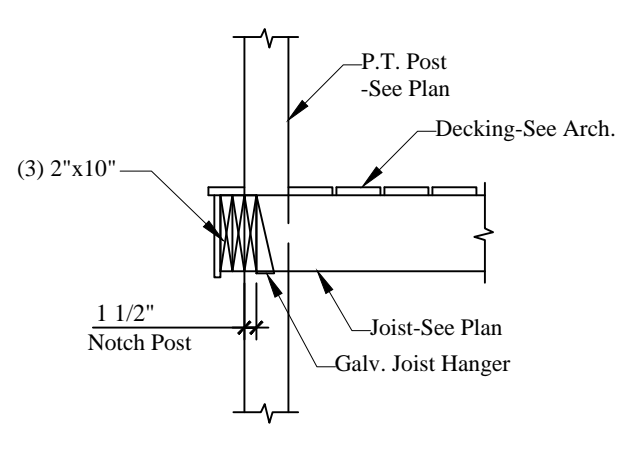


1 DECK POST FOUNDATION
Scale: 1/2" = 1'-0"

2 DECK EDGE FRAMING
Scale: 1/2" = 1'-0"

DECK FOUNDATION PLAN
Scale: 1/4" = 1'-0"

DECK FRAMING PLAN-SECOND FLOOR
Scale: 1/4" = 1'-0"



3 BEAM @ POST DETAIL
Scale: 1/2" = 1'-0"

4 POST @ BEAM DETAIL
Scale: 1/2" = 1'-0"