

DISPLAY THIS CARD ON PRINCIPAL FRONTAGE OF WORK



# CITY OF PORTLAND BUILDING PERMIT



**This is to certify that**

RICHARDSON SIDNEY BIRD /McDonald, Mike Heating  
Service LLC

**PERMIT ID:** 2013-00099

**Located at**

99 BECKETT ST (Unit 2)

**CBL:** 003 G004002

has permission to **Unit 2; Installing Carlin EZ Gas burner and piping.**

provided that the person or persons, firm or corporation accepting this permit shall comply with all of the provisions of the Statues of Maine and of the Ordinances of the City of Portland regulating the construction, maintenance and use of the buildings and structures, and of the application on file in the department.

Notification of inspection and written permission procured before this building or part thereof is lathed or otherwise clsoed-in. 48 HOUR NOTICE IS REQUIRED.

A final inspection must be completed by owner before this building or part thereof is occupied. If a certificate of occupancy is required, it must be procured prior to occupancy.

\_\_\_\_\_  
**Fire Prevention Officer**

  
\_\_\_\_\_  
**Code Enforcement Officer / Plan Reviewer**

**THIS CARD MUST BE POSTED ON THE STREET SIDE OF THE PROPERTY  
THERE IS A PENALTY FOR REMOVING THIS CARD**

**PERMIT ID:** 2013-00099

**Located at:** 99 BECKETT ST (Unit 2)

**CBL:** 003 G004002

**BUILDING PERMIT INSPECTION PROCEDURES**  
Please call 874-8703 (ONLY)  
or email: [buildinginspections@portlandmaine.gov](mailto:buildinginspections@portlandmaine.gov)

With the issuance of this permit, the owner, builder or their designee is required to provide adequate notice to the city of Portland Inspections Services for the following inspections. Appointments must be requested 48 to 72 hours in advance of the required inspection. The inspection date will need to be confirmed by this office.

- **Please read the conditions of approval that is attached to this permit!! Contact this office if you have any questions.**
- **Permits expire in 6 months. If the project is not started or ceases for 6 months.**
- **If the inspection requirements are not followed as stated below additional fees may be incurred due to the issuance of a "Stop Work Order" and subsequent release to continue.**

**REQUIRED INSPECTIONS:**

Final - Commercial

The project cannot move to the next phase prior to the required inspection and approval to continue, REGARDLESS OF THE NOTICE OF CIRCUMSTANCES.

IF THE PERMIT REQUIRES A CERTIFICATE OF OCCUPANCY, IT MUST BE PAID FOR AND ISSUED TO THE OWNER OR DESIGNEE BEFORE THE SPACE MAY BE OCCUPIED.

**City of Portland, Maine - Building or Use Permit**

389 Congress Street, 04101 Tel: (207) 874-8703, Fax: (207) 874-8716

<b>Permit No:</b> 2013-00099	<b>Date Applied For:</b> 01/16/2013	<b>CBL:</b> 003 G004002
---------------------------------	----------------------------------------	----------------------------

<b>Location of Construction:</b> 99 BECKETT ST (Unit 2)	<b>Owner Name:</b> RICHARDSON SIDNEY BIRD	<b>Owner Address:</b> 99 BECKETT ST # 2	<b>Phone:</b>
<b>Business Name:</b>	<b>Contractor Name:</b> Mcdonald, Mike Heating Service L	<b>Contractor Address:</b> 160 Fellow Street South Portland	<b>Phone</b> (207) 318-7079
<b>Lessee/Buyer's Name</b>	<b>Phone:</b>	<b>Permit Type:</b> HVAC	

<b>Proposed Use:</b> Condo	<b>Proposed Project Description:</b> Unit 2; Installing Carlin EZ Gas burner and piping.
-------------------------------	---------------------------------------------------------------------------------------------

**Dept:** Zoning      **Status:** Approved w/Conditions      **Reviewer:** Ann Machado      **Approval Date:** 01/16/2013**Note:**      **Ok to Issue:** 

- 1) This property shall remain as three residential condos. Any change of use shall require a separate permit application for review and approval.

**Dept:** Building      **Status:** Approved w/Conditions      **Reviewer:** Jeanie Bourke      **Approval Date:** 02/01/2013**Note:**      **Ok to Issue:** 

- 1) Any modifications to existing building systems and all new systems (HVAC, electrical, plumbing) shall meet IECC 2009 or ASHRAE 90.1-2007 requirements for energy code compliance.
- 2) The installation must comply with the State of Maine Gas Regulations.
- 3) The appliance and venting shall be installed in accordance with the UL listing, manufacturer's specifications and NFPA 211

**Dept:** Fire      **Status:** Approved w/Conditions      **Reviewer:** Chris Pirone      **Approval Date:****Note:**      **Ok to Issue:** 

- 1) Installation shall comply with City Code Chapter 10.
- 2) Installation shall comply with NFPA 211, Standard for Chimneys, Fireplaces, Vents, and Solid Fuel-Burning Appliances; NFPA 54, National Fuel Gas Code; NFPA 70, National Electrical Code; and the manufacturer's published instructions.

# City of Portland, Maine - Building or Use Permit Application

389 Congress Street, 04101 Tel: (207) 874-8703, Fax: (207) 874-8716

Permit No: 2013-00099	Issue Date:	CBL: 003 G004002
--------------------------	-------------	---------------------

Location of Construction: 99 BECKETT ST (unit 2)	Owner Name: RICHARDSON SIDNEY BIRD	Owner Address: 99 BECKETT ST # 2 PORTLAND , ME 04101	Phone:
Business Name:	Contractor Name: McDonald, Mike Heating Service LLC	Contractor Address: 160 Fellow Street South Portland ME 04106	Phone (207) 318-7079
Lessee/Buyer's Name	Phone:	Permit Type: HVAC	Zone: R6
Past Use: Condo (3 residential condos bldg)	Proposed Use: Condo	Permit Fee: \$50.00	Cost of Work: \$3,000.00
Proposed Project Description: Unit 2; Installing Carlin EZ Gas burner and piping.		FIRE DEPT: <input checked="" type="checkbox"/> Approved <input type="checkbox"/> Denied <input type="checkbox"/> N/A	INSPECTION: Use Group: R-2 Type: HVAC MUBEL 2009
		Signature: <i>Capt Perini 2/8/13</i>	Signature: <i>2/11/13 JWB</i>
PEDESTRIAN ACTIVITIES DISTRICT (P.A.D.)			
Action: <input type="checkbox"/> Approved <input type="checkbox"/> Approved w/Conditions <input type="checkbox"/> Denied			
Signature: _____ Date: _____			

Permit Taken By: bjs	Date Applied For: 01/16/2013	<b>Zoning Approval</b>		
<ol style="list-style-type: none"> <li>This permit application does not preclude the Applicant(s) from meeting applicable State and Federal Rules.</li> <li>Building permits do not include plumbing, septic or electrical work.</li> <li>Building permits are void if work is not started within six (6) months of the date of issuance. False information may invalidate a building permit and stop all work..</li> </ol>		<b>Special Zone or Reviews</b> <input type="checkbox"/> Shoreland <input type="checkbox"/> Wetland <input type="checkbox"/> Flood Zone <input type="checkbox"/> Subdivision <input type="checkbox"/> Site Plan Maj <input type="checkbox"/> Minor <input type="checkbox"/> MM <input type="checkbox"/> Date: _____	<b>Zoning Appeal</b> <input type="checkbox"/> Variance <input type="checkbox"/> Miscellaneous <input type="checkbox"/> Conditional Use <input type="checkbox"/> Interpretation <input type="checkbox"/> Approved <input type="checkbox"/> Denied Date: _____	<b>Historic Preservation</b> <input type="checkbox"/> Not in District or Landmark <input type="checkbox"/> Does Not Require Review <input type="checkbox"/> Requires Review <input type="checkbox"/> Approved <input type="checkbox"/> Approved w/Conditions <input type="checkbox"/> Denied Date: _____

### CERTIFICATION

I hereby certify that I am the owner of record of the named property, or that the proposed work is authorized by the owner of record and that I have been authorized by the owner to make this application as his authorized agent and I agree to conform to all applicable laws of this jurisdiction. In addition, if a permit for work described in the application is issued, I certify that the code official's authorized representative shall have the authority to enter all areas covered by such permit at any reasonable hour to enforce the provision of the code(s) applicable to such permit.

SIGNATURE OF APPLICANT	ADDRESS	DATE	PHONE
RESPONSIBLE PERSON IN CHARGE OF WORK, TITLE		DATE	PHONE

4-2-13 Down Mike Final OK



# APPLICATION FOR PERMIT HEATING OR POWER EQUIPMENT

To the INSPECTOR OF BUILDINGS, PORTLAND, ME.

The undersigned hereby applies for a permit to install the following heating, cooking or power equipment in accordance with the Laws of Maine, the Building Code of the City of Portland, and the following specifications:

Location / CBL 99 Beckett St Use of Building Condos Date 1/15/13  
 Name and address of owner of appliance Sidney Richardson 99 Beckett St  
Unit 2 Second Floor  
 Installer's name and address Michael W. McDonald 160 Fellows St  
So. Portland, Me. 04106 Telephone 318-7079

**Location of appliance:**

- Basement
- Floor
- Attic
- Roof

**Type of Fuel:**

- Gas
- Oil
- Solid

Appliance Name: Carlin EZ Gas Gun

U.L. Approved  Yes  No

and Gas Piping

Will appliance be installed in accordance with the manufacture's installation instructions?  Yes  No

IF NO Explain: \_\_\_\_\_

**The Type of License of Installer:**

- Master Plumber # \_\_\_\_\_
- Solid Fuel # \_\_\_\_\_
- Oil # \_\_\_\_\_
- Gas # PNT 5249
- Other \_\_\_\_\_

**Type of Chimney:**

- Masonry Lined  
Factory built Stainless Steel  
Paul Pickett will install
- Metal  
Factory Built U.L. Listing # \_\_\_\_\_

Direct Vent  
Type \_\_\_\_\_ UL# \_\_\_\_\_

**Type of Fuel Tank**

- Oil
- Gas Natural

Size of Tank N/A

Number of Tanks N/A

Distance from Tank to Center of Flame N/A feet.

Cost of Work: \$ 3000.00

Permit Fee: \$ 50

**Approved**

**Approved with Conditions**

Fire: \_\_\_\_\_

See attached letter or requirement

Ele.: \_\_\_\_\_

Bldg.: \_\_\_\_\_

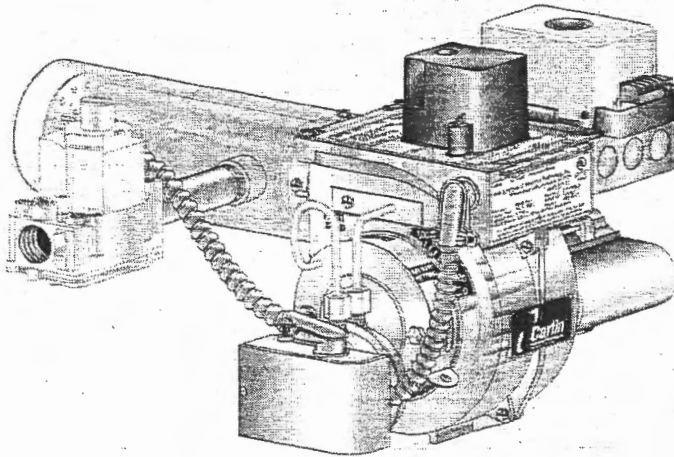
Signature of Installer

Inspector's Signature

Date Approved



# MODEL **EZ-Gas** Gas burner



## User's information

### Contents

Operating instructions .....	2
PLEASE read carefully .....	3
Care and maintenance .....	3

**WARNING:** If the information in this manual is not followed exactly, a fire or explosion may result, causing property damage, personal injury or death.

- Do not store or use gasoline or other flammable vapors and liquids in the vicinity of this or any other appliance.
- WHAT TO DO IF YOU SMELL GAS
  - Do not try to light any appliance.
  - Do not touch any electrical switch; do not use any phone in your building.
  - Immediately call your gas supplier from an outside phone. Follow the gas supplier's instructions.
  - If you cannot reach your gas supplier, call the fire department.
- Installation and service must be performed by a qualified installer, service agency or the gas supplier.

**WARNING** Provide unobstructed combustion air openings sized and located per appliance manual and applicable codes.

Retain this *User's information* manual for your use. Read this manual completely. Ask your service technician if you have any questions regarding the use of the burner or appliance.

Retain the *Burner manual* only for use by your qualified service technician.

Should you observe unusual or abnormal operation of the burner or appliance, contact your qualified service technician immediately. Do not attempt to service or repair this product yourself.

© Copyright 2002 — Carlin Combustion Technology, Inc.

**Carlin Combustion Technology, Inc.**

70 Maple Street  
Ph 413-525-7700

East Longmeadow, MA 01028  
Fx 413-525-8306

[carlincombustion.com](http://carlincombustion.com)

Where appliance instructions differ from this manual, follow the appliance instructions.

# 1. Prepare site • prepare burner • mount burner (continued)

## Inspect burner and components

**WARNING** Do not install or operate the burner if any component is damaged or if burner does not comply with the specifications or any other guidelines in this manual.

## Air tube insertion length (UTL)

- Usable air tube length (UTL) is the distance from mounting flange to end of air tube. Verify that the end of the air tube will be flush with, or no more than 1/4 inch short of, the inside of the appliance combustion chamber front wall when the burner is mounted. See Figure 3 and Table 1 below for further information.

## Diffuser plate

- Verify correct diffuser plate (item 2, page 3). Compare diffuser plate listed on air tube label with diffuser plate listed in Table 1.

## Gas orifice drill size

- The gas orifice is drilled through a plate in the end of the orifice nipple (see item 8, page 3). Read the factory-drilled orifice size on the label attached to the burner air tube (see item 1, page 3) near the blower housing end. If the gas orifice size is not correct for your application, or if the label is illegible for any reason, check the orifice size directly and redrill orifice or replace if necessary, as follows (next page).

Figure 3 Combustion chamber dimensions (see Table 1)

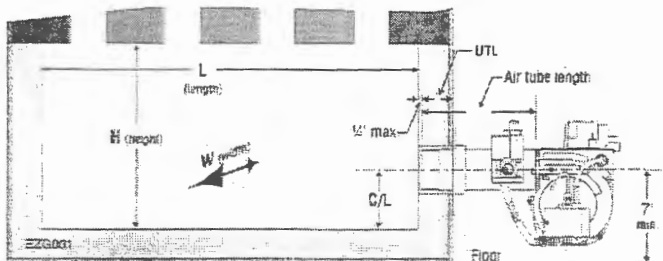


Table 1 Burner specifications for EZ-Gas burners (see Figure 3)

Input Note 1	Burner orifice drill size		Approximate air band setting Notes 1, 2, 3		Diffuser	Minimum chamber dimensions Inches (Notes 3, 4, 5) (WC = min. diam. of vertical cylinder chamber)					UTL Air tube insertion length			
	Natural Gas	Propane Gas	Opening	Slots		C/L	L	W	H	WC	Nominal air tube length:	UTL min.	UTL max.	
50,000	7/32	1/8	5%	1	D	3	7	6	8	7				Burners with <i>welded flange</i> have fixed usable tube length (UTL). Verify length is correct for the application. Burners with <i>adjustable flange</i> vary the tube length (UTL) based on air tube length.
75,000	3/16	9/64	5%	1	B	3	7	6	8	7				
100,000	7/32	11/64	20%	1	B	3 1/2	8	7	9	8				
125,000	1/4	13/64	30%	1	B	3 1/2	9	7	9	8 1/2				
150,000	9/32	7/32	45%	1	B	4	11	8	10	9 1/2	Nominal air tube length:			
175,000	5/16	1/4	30%	2	A	4	12	8	10	10		10"	1 3/4"	3 1/2"
200,000	3/16	1/4	35%	2	A	4 1/2	14	8	11	12		12"	1 3/4"	5 1/2"
225,000	11/32	9/32	45%	2	A	4 1/2	15	9	11	13		14"	1 3/4"	7 1/2"
250,000	13/32	5/16	55%	2	A	4 1/2	16	9	11	14				
275,000	7/16	11/32	75%	2	A	4 1/2	17	9	11	15				

**Note 1** High altitude applications. The maximum burner input at sea level is 275,000 Btu/h. Reduce this capacity by 4% per 1,000 feet above sea level. Example — max. capacity at 5,000 feet is 220,000 Btu/h (20% reduction).  
**Note 2** Pressurized firing. Maximum burner input decreases with increasing overfire pressure. Assume a reduction in maximum burner input of approximately 5% at 0.1 inches w.c. and 10% at 0.2 inches w.c. You will have to increase the air band opening to compensate for the increased pressure. Follow the procedures given in this manual to check combustion with instruments to determine the correct air band setting. Do not fire into a chamber with pressure higher than 0.2 inches w.c. and never fire at a higher pressure than recommended by the appliance manufacturer.

**Note 3** Use this as the starting setting only. Adjust air band setting, if necessary, after performing combustion testing (see page 13).

**Note 4** Some tested appliances may operate satisfactorily with dimensions less than the above.

**Note 5** Horizontal cylindrical chambers — diameter must be no less than column "W" above.  
 Horizontal stainless steel cylindrical chambers — diameter at least 1 to 4 inches larger than column "W" above.

**Note 6** A orifice may help heat transfer in a larger boiler or furnace, provided it is recommended by the appliance manufacturer.