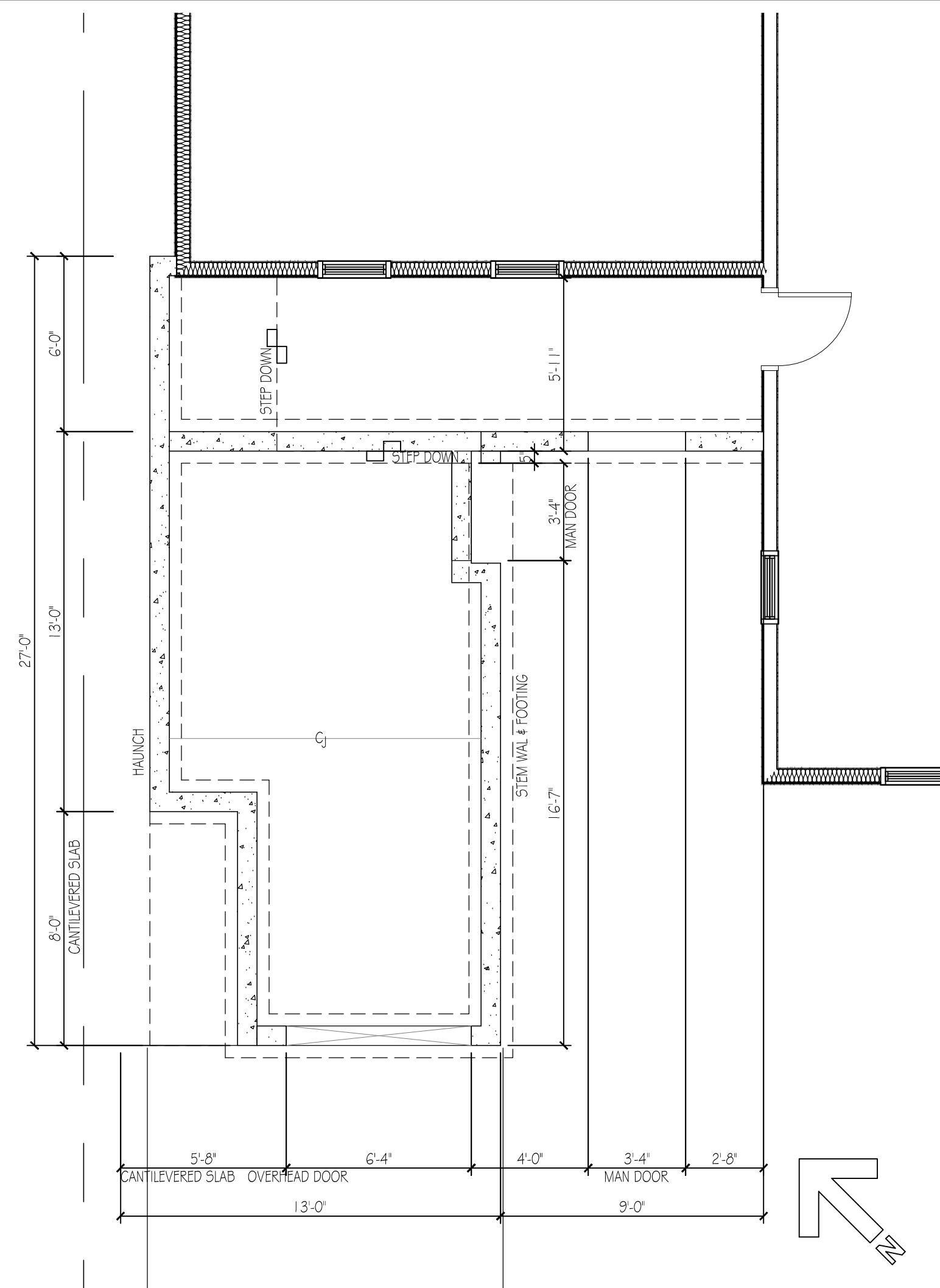
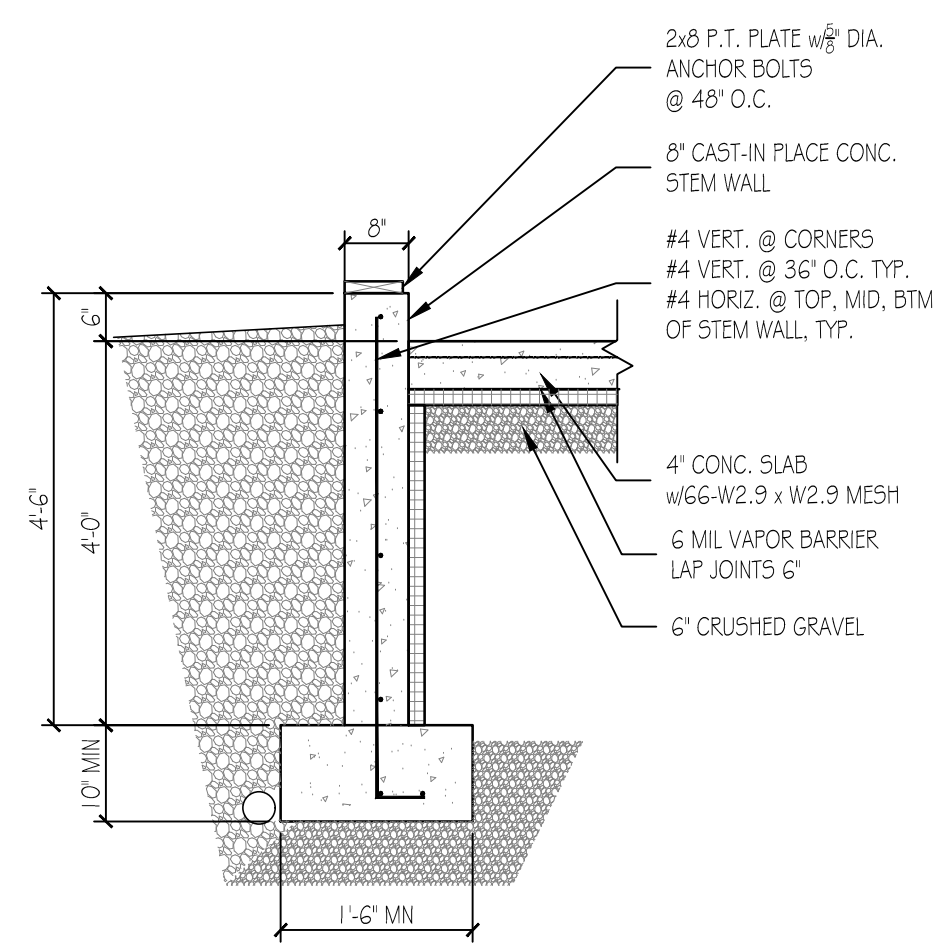


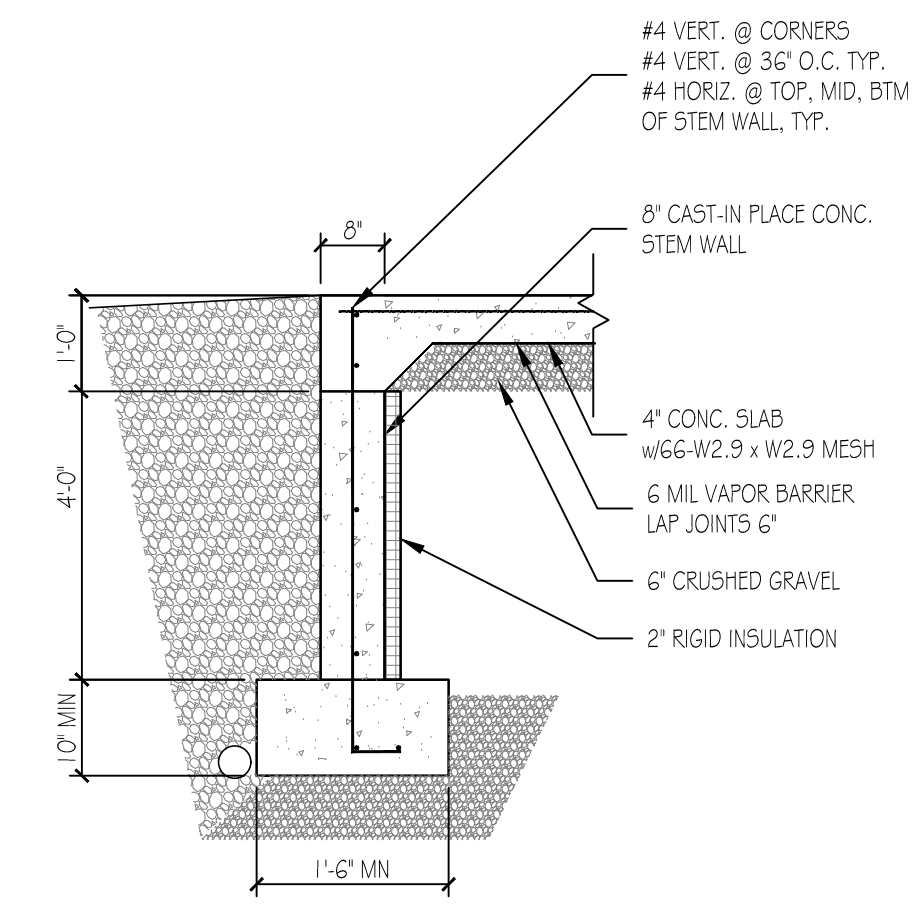
REVISED FLOOR PLAN
SCALE: 1/4"=1'-0"



REVISED FOUNDATION PLAN
SCALE: 1/4"=1'-0"



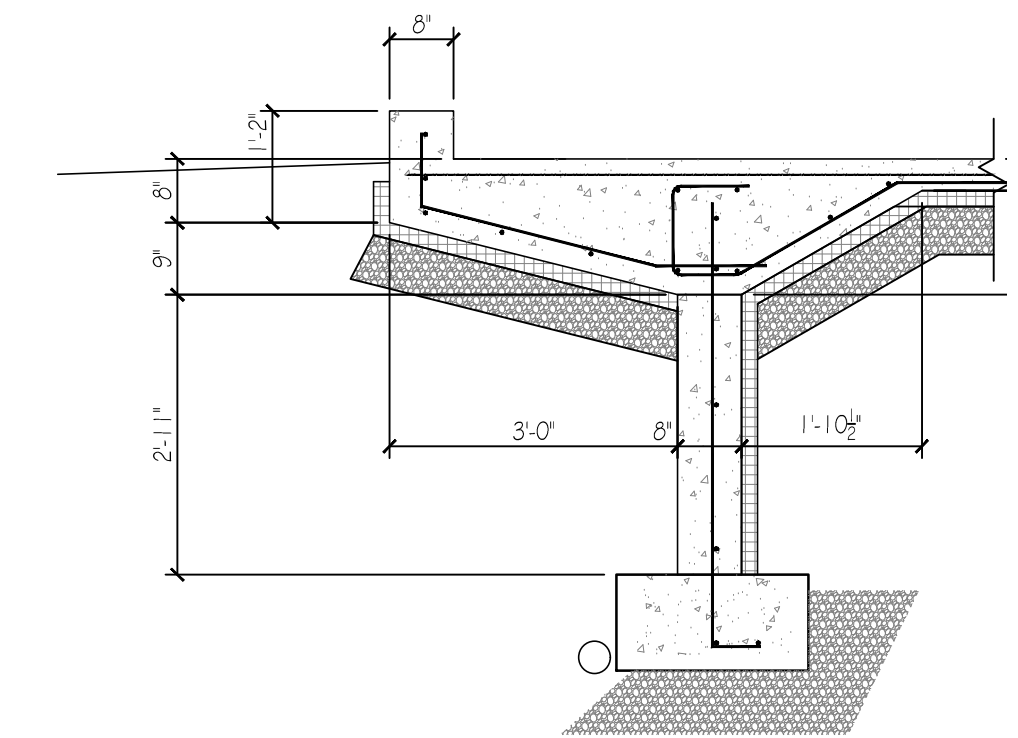
(1)-DETAIL AT TYP. STEM WALL
SCALE: 1/2"=1'-0"



(2)-DETAIL AT TYP. OPENING
SCALE: 1/2"=1'-0"

- NOTES:
1. THE CONTRACTOR SHALL COORDINATE AND VERIFY ALL DIMENSIONS AND FIELD CONDITIONS AND SHALL REPORT ANY DISCREPANCIES TO THE STEEL FABRICATOR...
 2. NO FOUNDATION WALLS SHALL BE PLACED IN WATER OR FROZEN GROUND.
 3. ALL FILL SHALL BE CLEAN AND GRANULAR AND SHALL BE COMPACTED TO 95% DENSITY AS PER ASTM D698 AT OPTIMUM MOISTURE CONTENT IN LAYERS NOT TO EXCEED 8" IN DEPTH OF FILL TO BE 16" MIN.
 4. STRUCTURAL BACKFILL SHALL MEET THE FOLLOWING GRADUATION REQUIREMENTS.

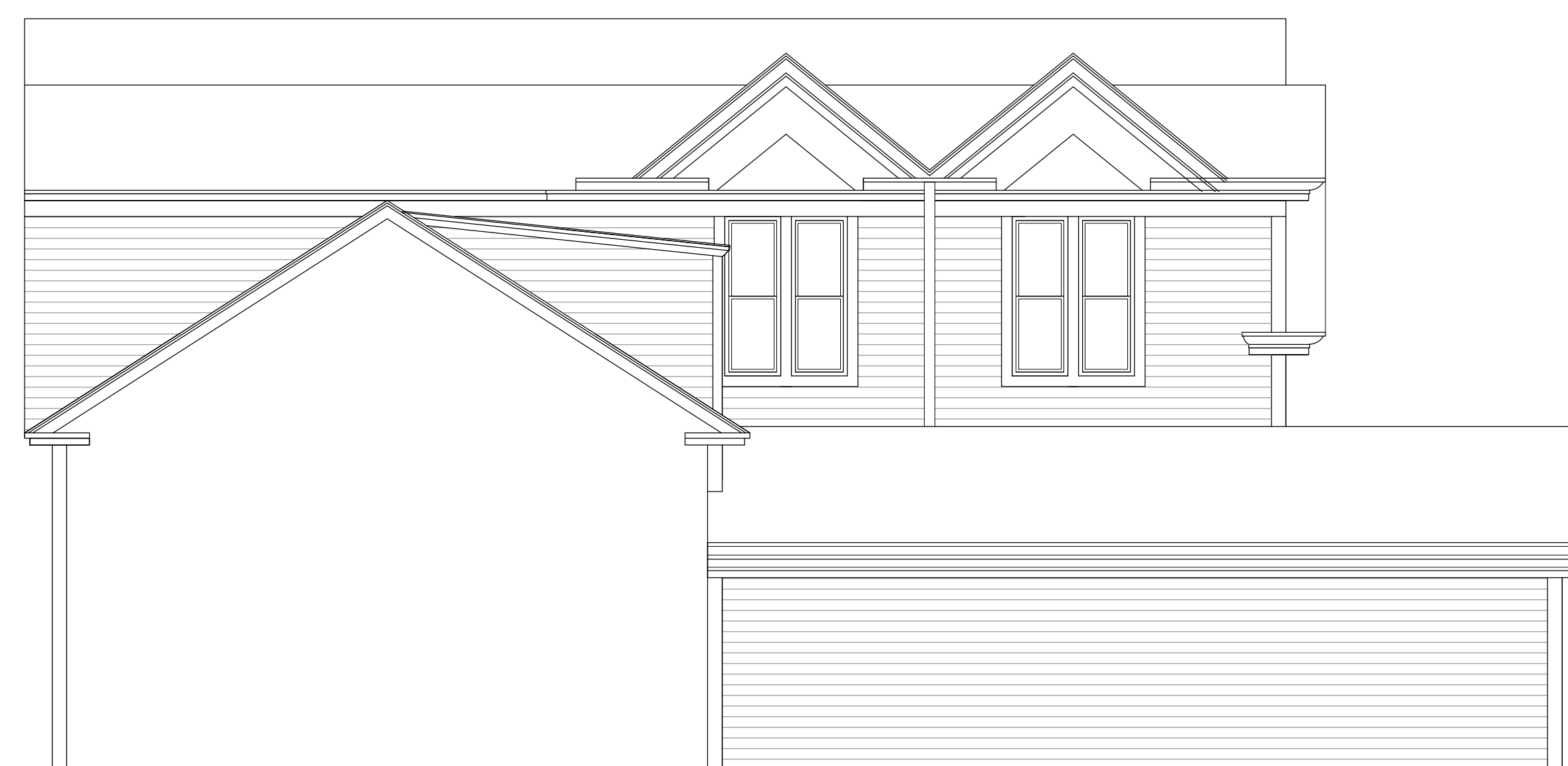
SIEVE DESIGNATION	% BY WEIGHT PASSING SQUARE MESH SIEVE
3-INCH	100
1/4-INCH	25-70
#40	20-45
 5. WALLS SHALL BE BRACED DURING BACKFILL AND TAMPING OPERATIONS.
 6. CONCRETE WORK SHALL CONFORM TO THE LATEST BUILDING CODE REQUIREMENTS FOR REINFORCED CONCRETE.
 7. CONCRETE SHALL HAVE A MINIMUM COMPRESSIVE STRENGTH OF 4000 PSI AT 7 DAYS WITH A MINIMUM SLUMP OF 4-INCHES AND AIR ENTAINMENT OF 4 TO 6%. THE USE OF CALCIUM CHLORIDE IS NOT RECOMMENDED. USE OF WATER REDUCER IS RECOMMENDED. PROVIDE PROPER CONCRETE PROTECTION OF HEAT IN COOL WEATHER AND MAINTAIN PROPER CURING PROCEDURES IN ACCORDANCE WITH THE A.C.I. AT ALL TIMES.
 8. STEEL REINFORCEMENT SHALL CONFORM ASTM GRADE 60.
 9. ALL REINFORCING BARS SHALL BE COLD BENT IN ACCORDANCE TO THE PROPER RADII ESTABLISHED BY THE A.C.I.
 10. WHERE CONTINUOUS BARS ARE CALLED FOR, THEY SHALL BE RUN CONTINUOUSLY AROUND CORNERS W/ 2x2' CORNER BARS AND LAPPED AT NECESSARY SPLICES. LAPS SHALL BE 40 BAR DIAMETERS UNLESS OTHERWISE NOTED.
 11. INSTALLATION OF REINFORCEMENT SHALL BE COMPLETED AT LEAST 24 HOURS PRIOR TO SCHEDULED CONCRETE PLACEMENT. ALL REBAR INSTALLATIONS SHALL BE INSPECTED PRIOR TO CONCRETE PLACEMENT.
 12. SAW CUT SLAB INTO 10'x10' BAYS. SAW CUT DEPTH OF ONE-FIFTH OF THE SLAB THICKNESS.
 13. ALL POURED I ANCHOR BOLTS TO BE 15" LONG W/ 2" TAILS UNLESS OTHERWISE NOTED.



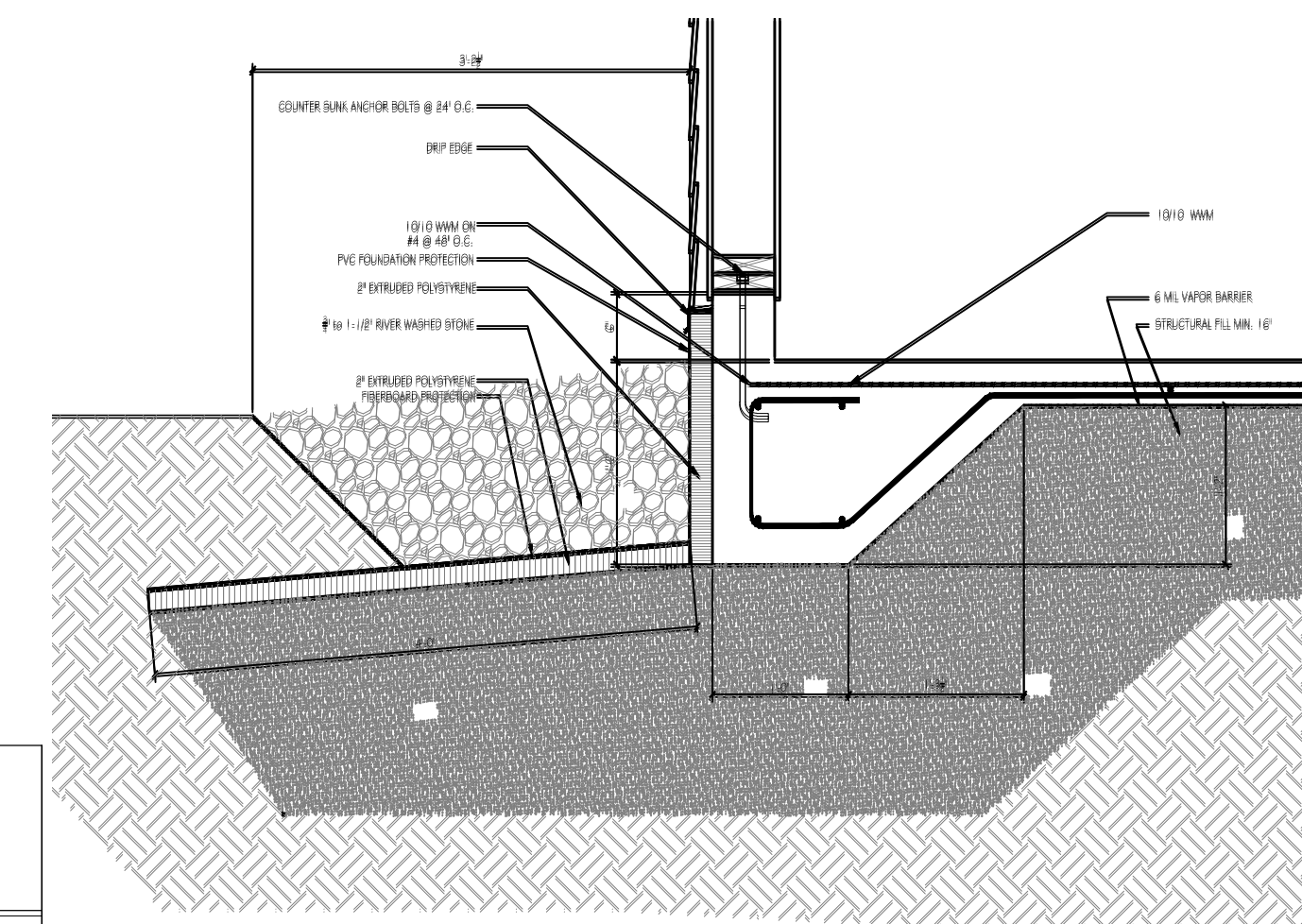
(3)-SLAB CANTILEVER
SCALE: 1/2"=1'-0"



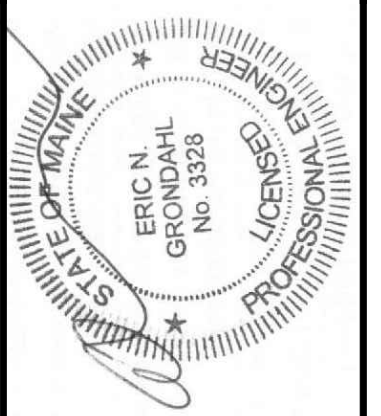
PROPOSED STREET ELEVATION
SCALE: 1/4"=1'-0"



PROPOSED LEFT ELEVATION
SCALE: 1/4"=1'-0"



(4)-DETAIL AT TYP. HAUNCH
SCALE: 1/2"=1'-0"



Remodel
33 Vesper Street
Portland, ME

DATE	NO	REMARKS	BY
06-20-17	A	Issued for Permit	JJO
08-02-17	B	Revised per COE comments	JJO

CODE: IRC 2009
TOWN: Portland
DATE: 06-19-2017
SCALE: As Noted
DRAWN: JJO
TITLE: Plans, Elevations, Details
FILE:
SHEET: A1-01