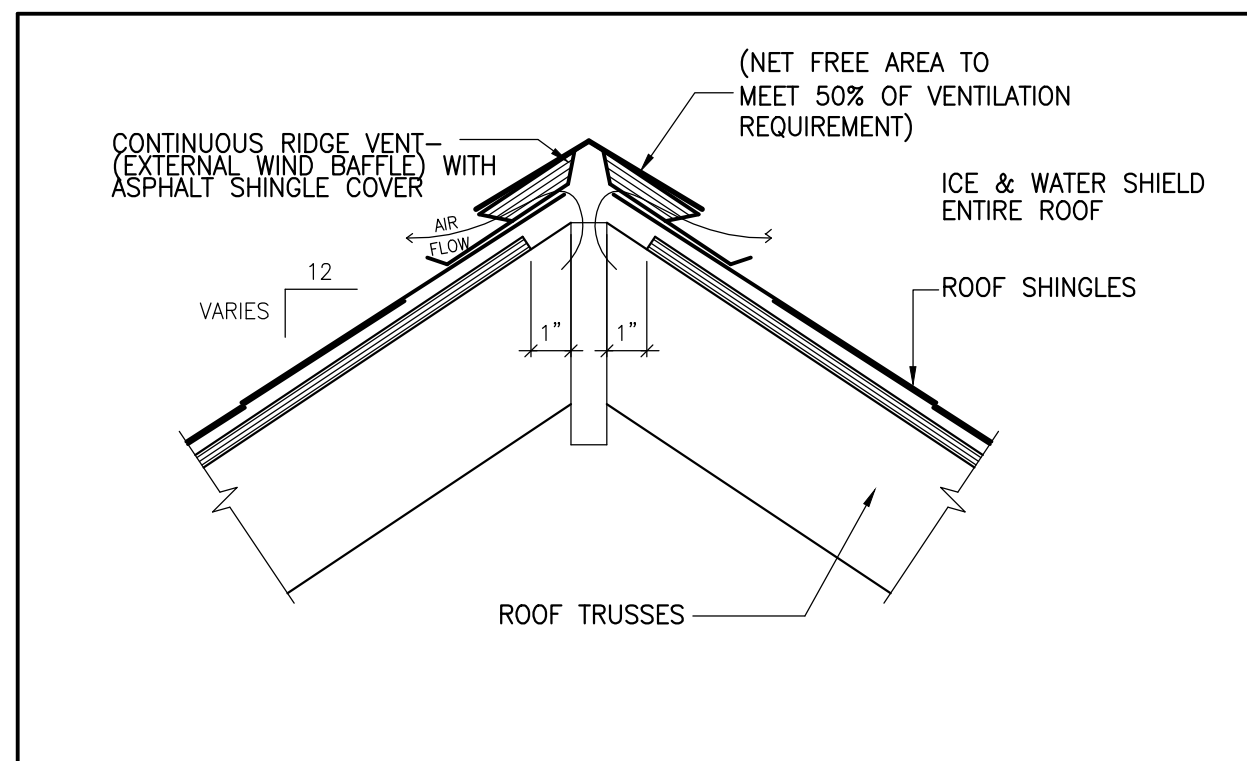
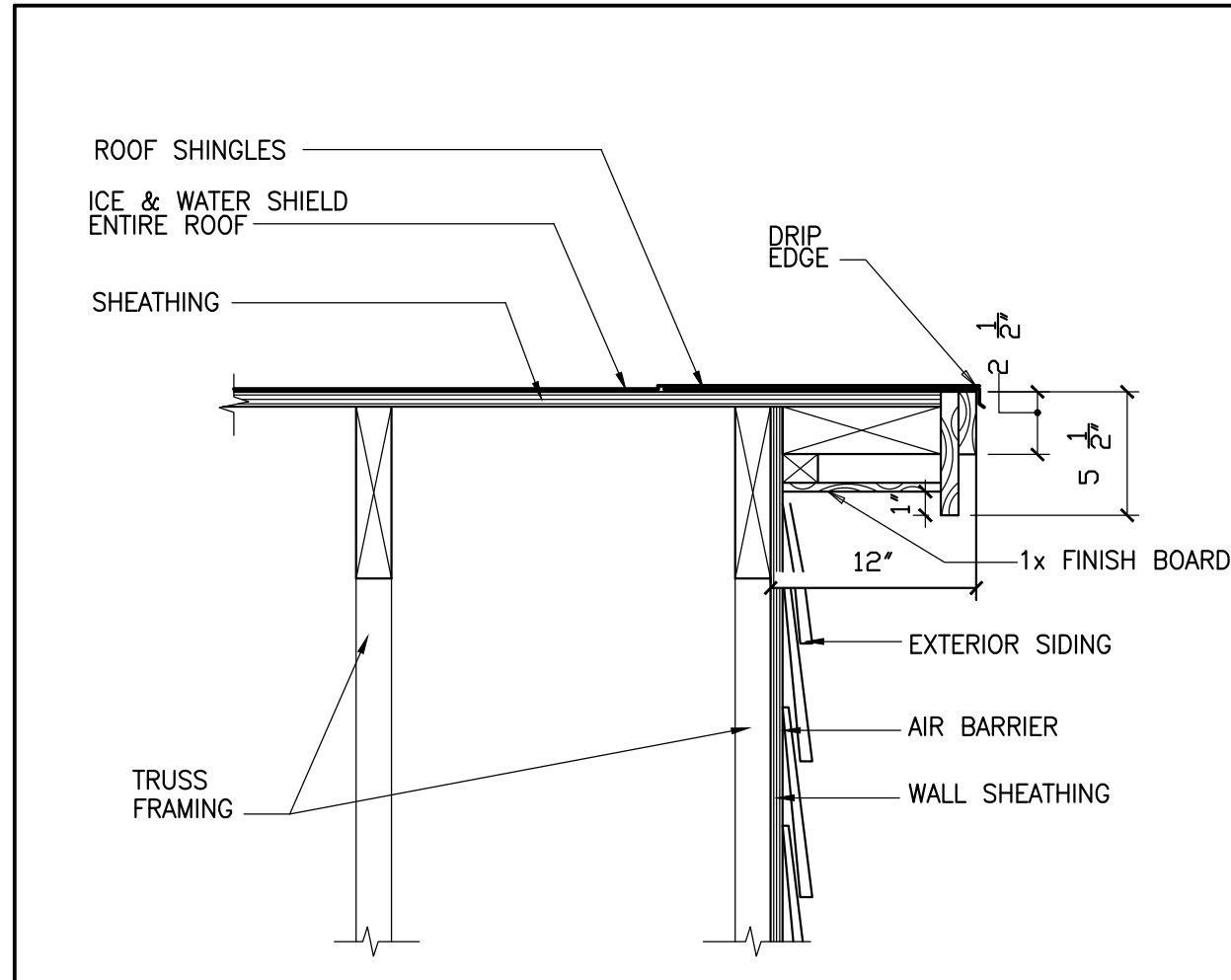


1 EAVE DETAIL SCALE: 1 1/2"=1'-0"



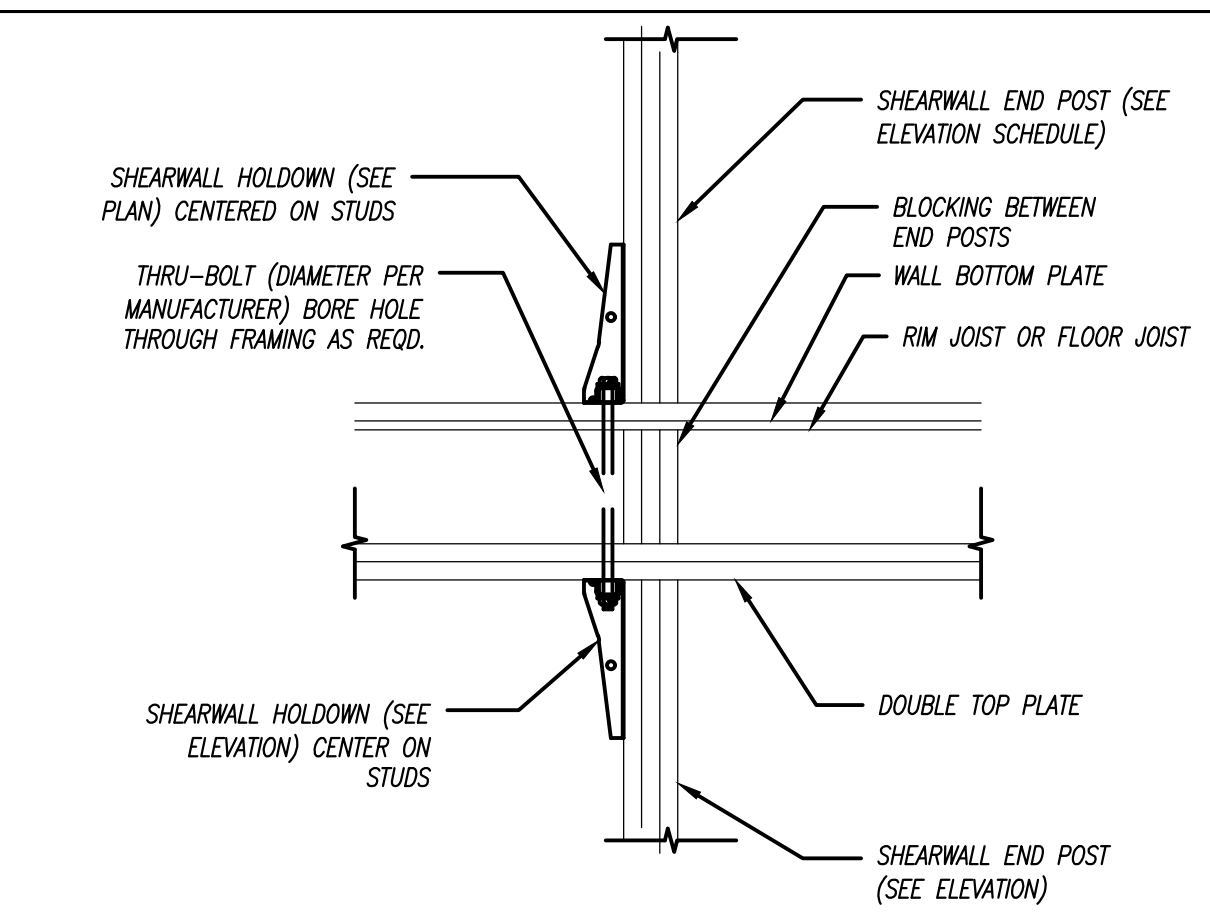
2 RIDGE VENT DETAIL SCALE: 1 1/2"=1'-0"



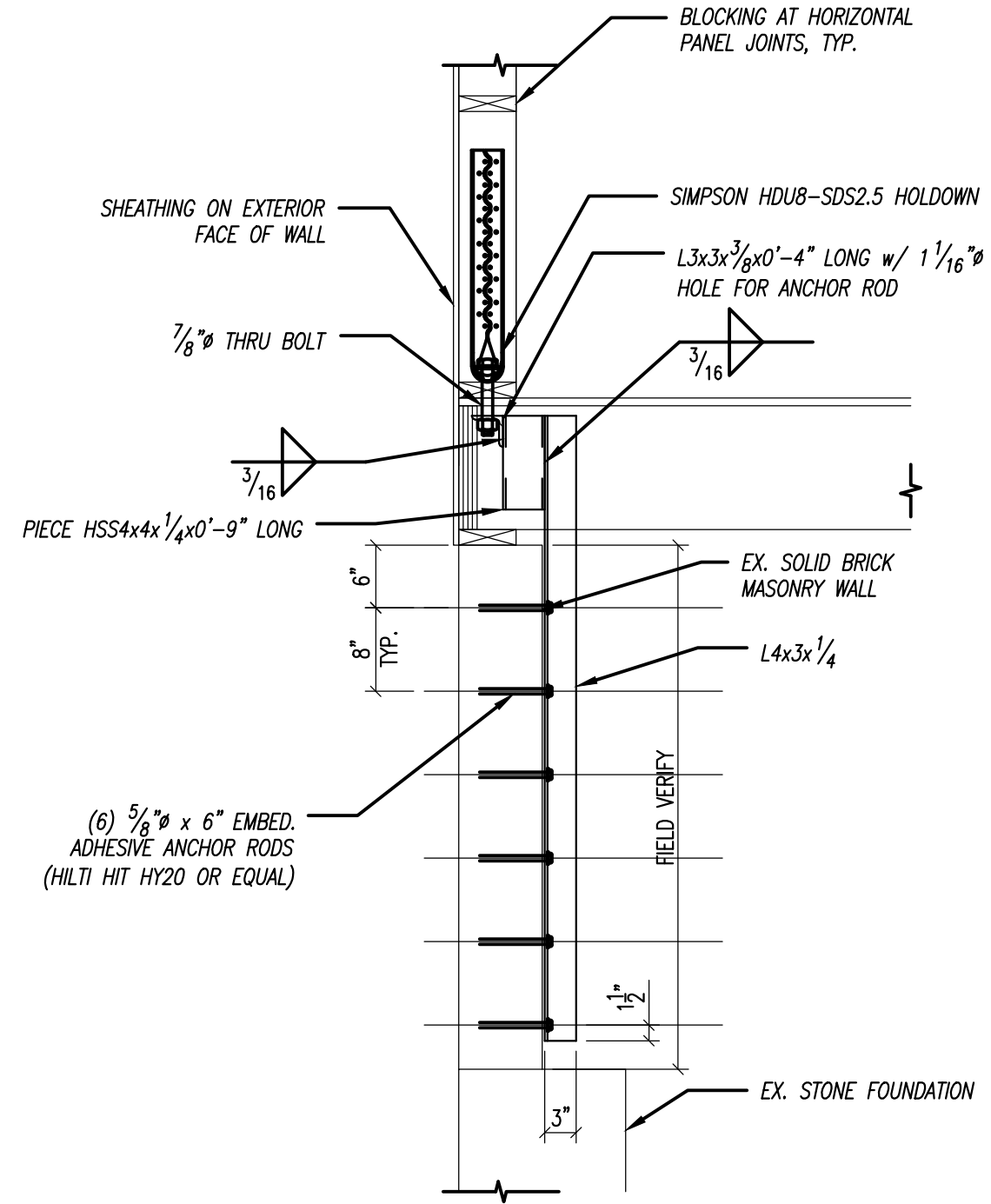
3 RAKE DETAIL SCALE: 1 1/2"=1'-0"

HEADER SCHEDULE	
ROUGH OPENING	HEADER SIZE
0 - 3'-0"	(3) - 2x6
3'-1" - 4'-6"	(3) - 2x8
4'-7" - 5'-8"	(3) - 2x10
5'-9" - 7'-0"	(3) - 2x12

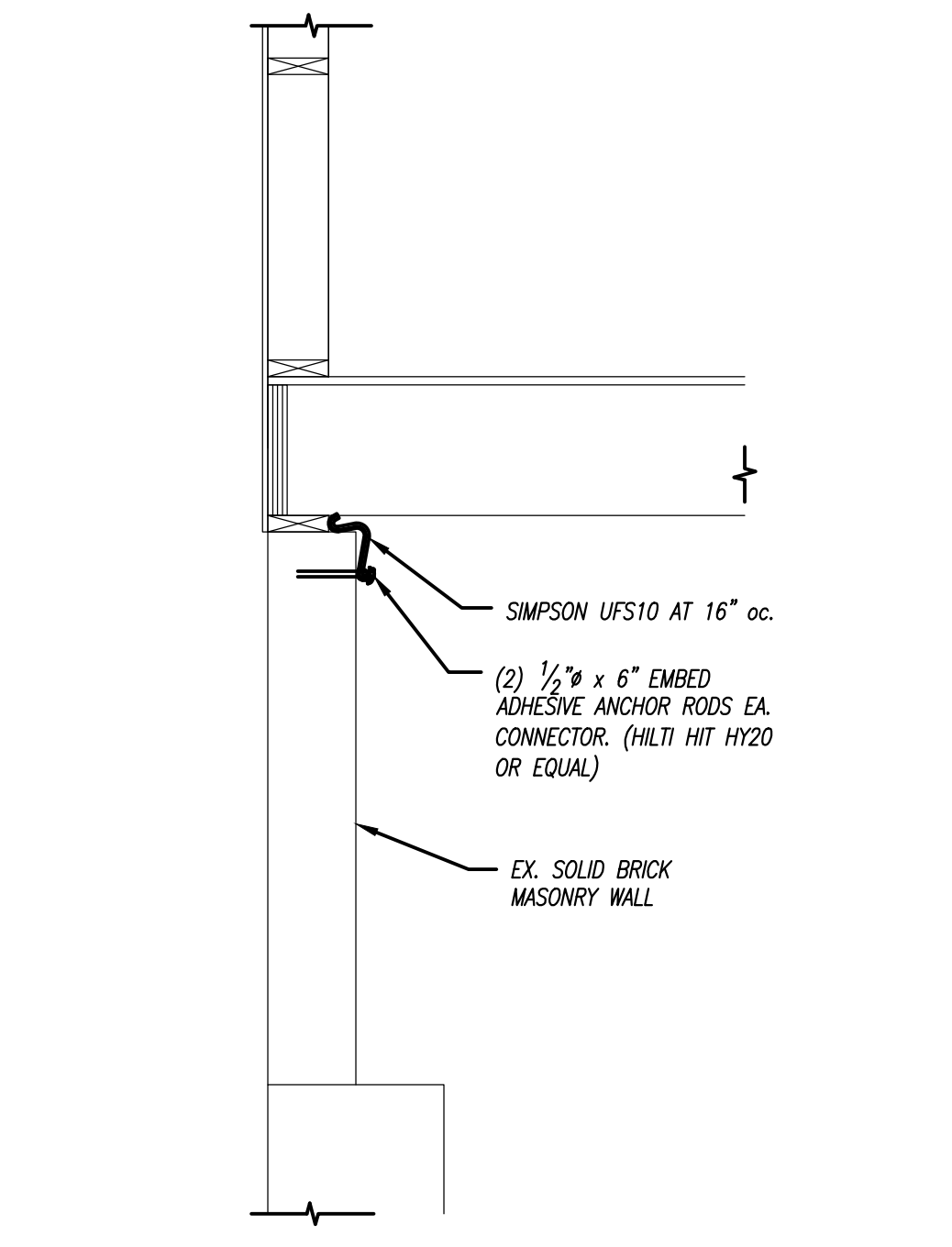
NOTE: PROVIDE JAMBS BOTH ENDS AS FOLLOWS:  
 2x6 JACK PLUS 2x6 KING UP TO 4'-6" ROUGH OPENING  
 (2) 2x6 JACKS PLUS (2) 2x6 KINGS UP TO 7'-0" ROUGH OPENING



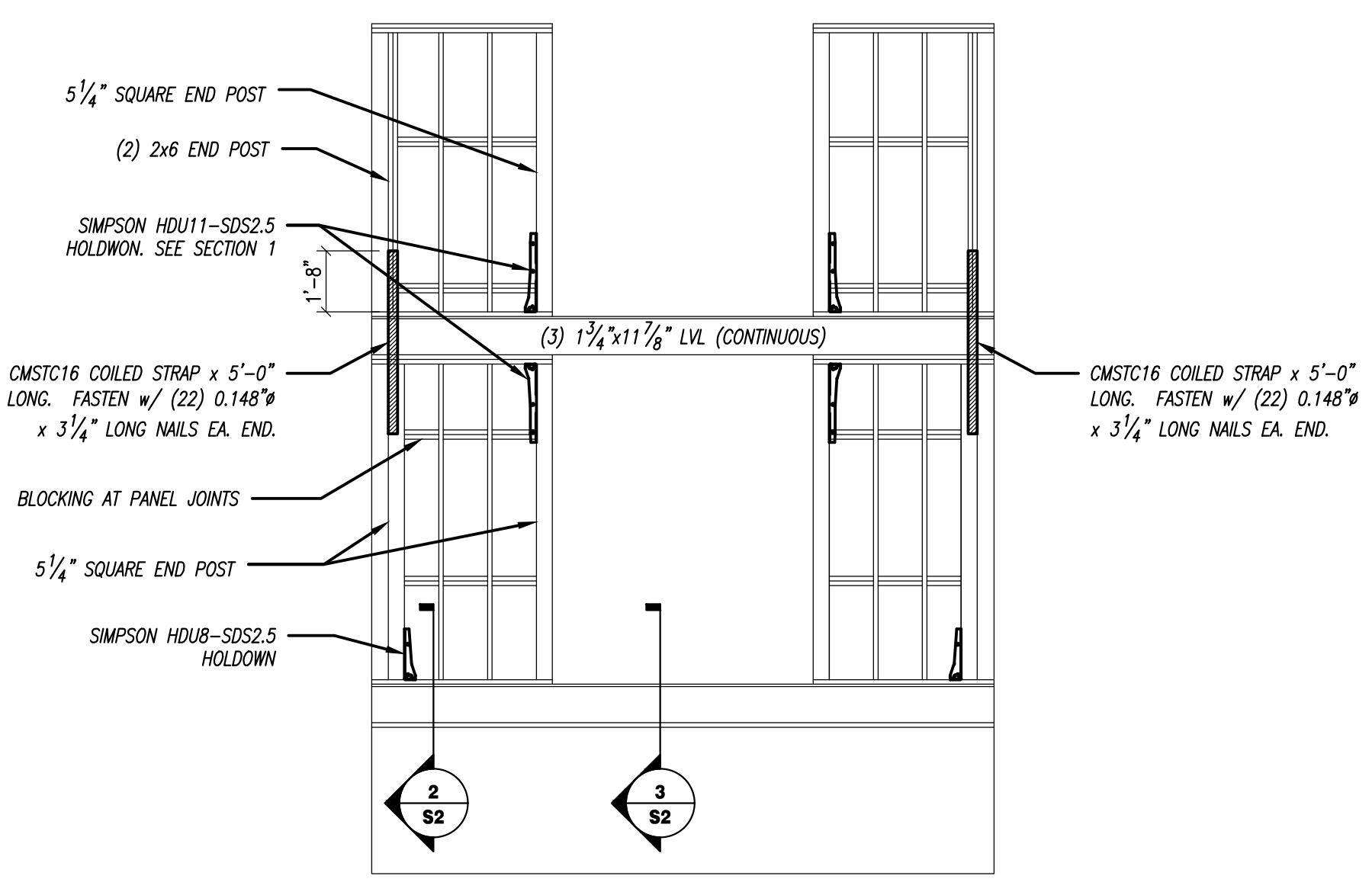
1 SECTION 3/4" = 1'-0"



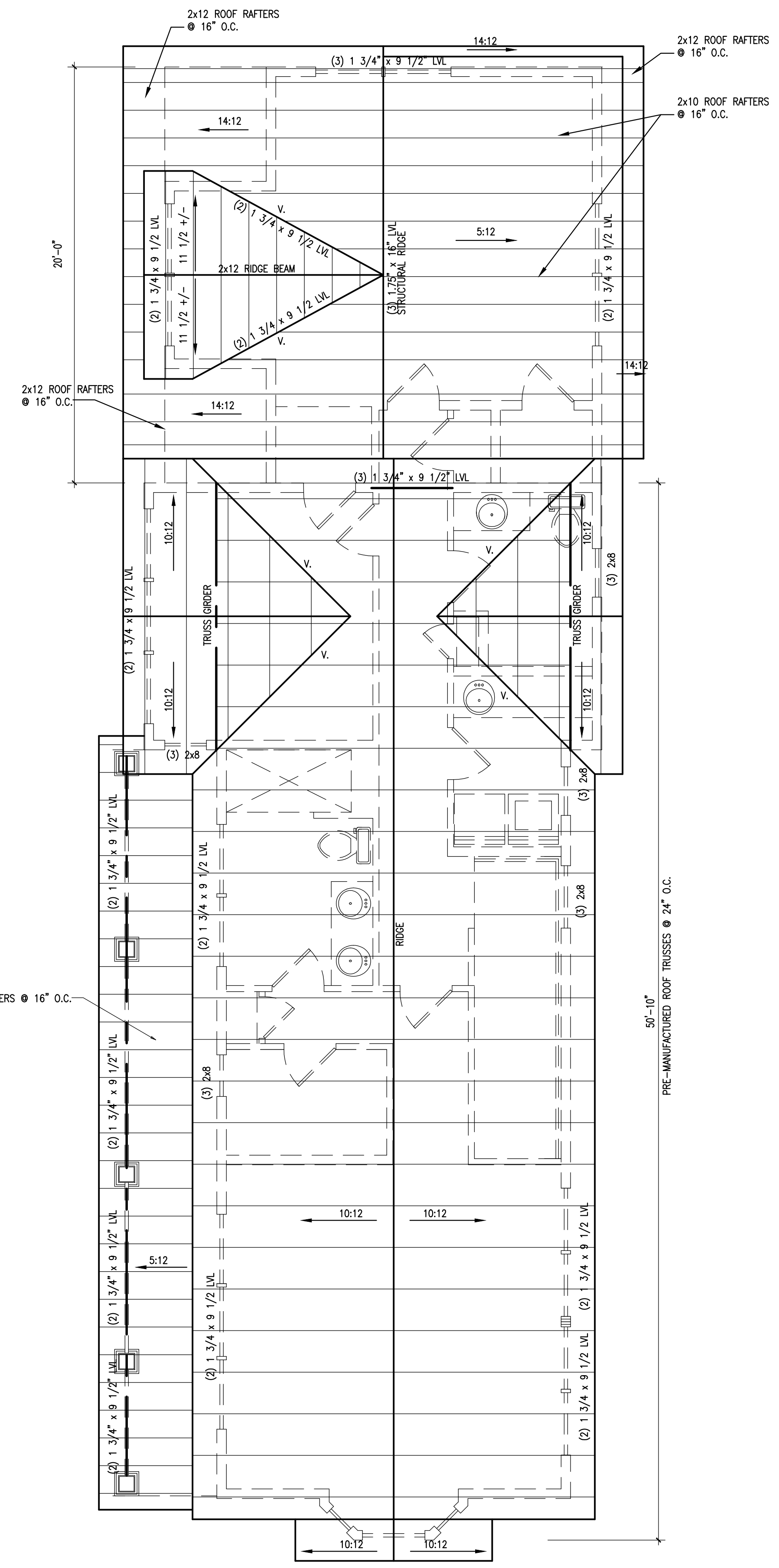
2 SECTION 3/4" = 1'-0"



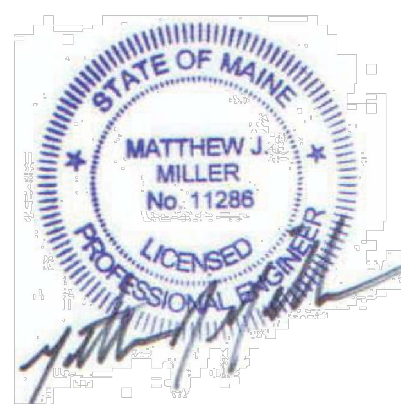
3 SECTION 3/4" = 1'-0"



A FRONT SHEAR WALL ELEVATION 1/4" = 1'-0"



ROOF FRAMING PLAN 1/4"=1'-0"



**NAPPI RESIDENCE**  
 16 MORNING STREET  
 PORTLAND, MAINE

REVISIONS	DATE	BY	DESCRIPTION
1	05-16-17	DLP	REMOVE #4 FROM GARAGE
	10-05-16	DLP	

DRAWN BY: DLP  
 CHECKED BY: DLP  
 DATE: 10-05-16  
 ISSUED:

**S2**

SCALE: AS NOTED