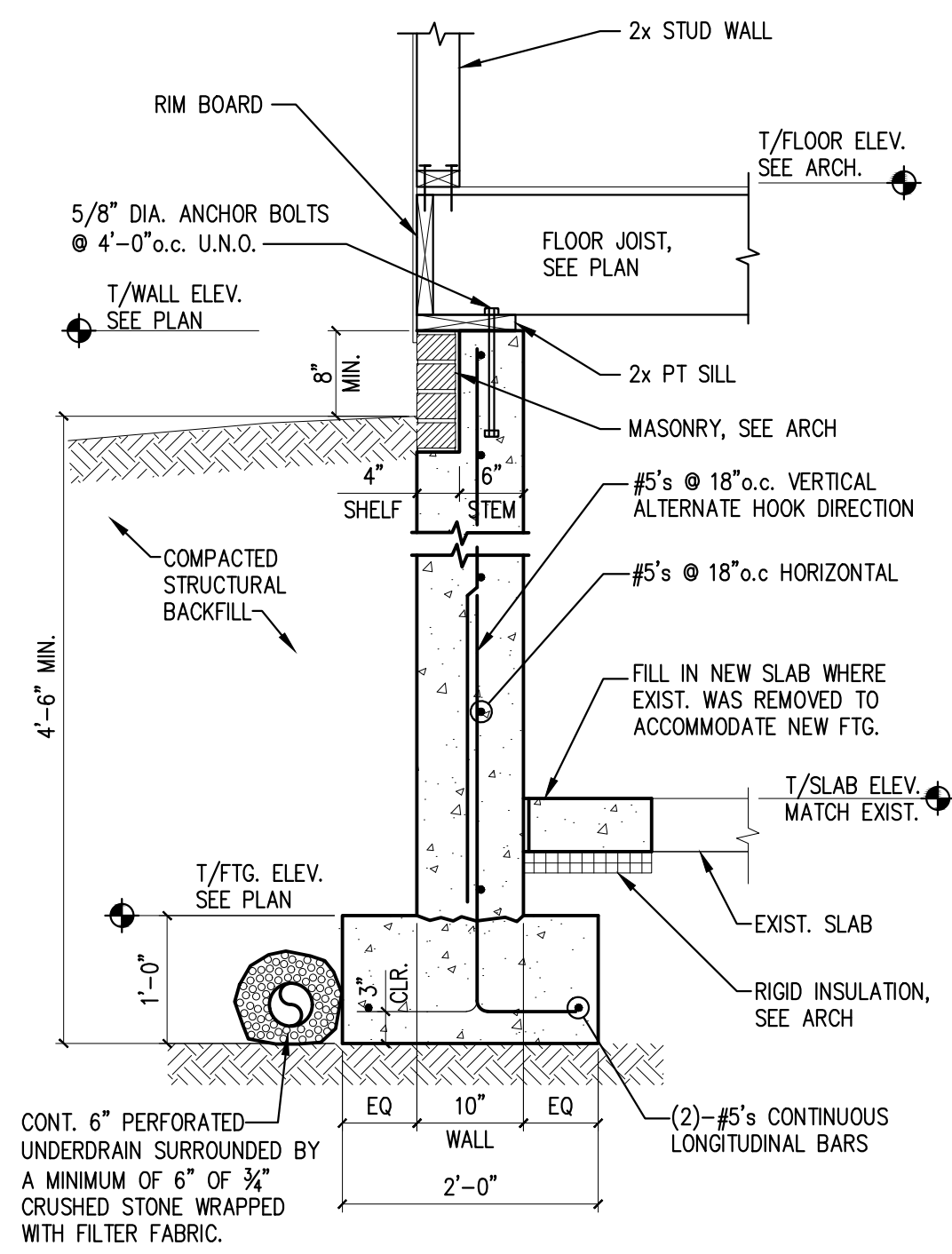
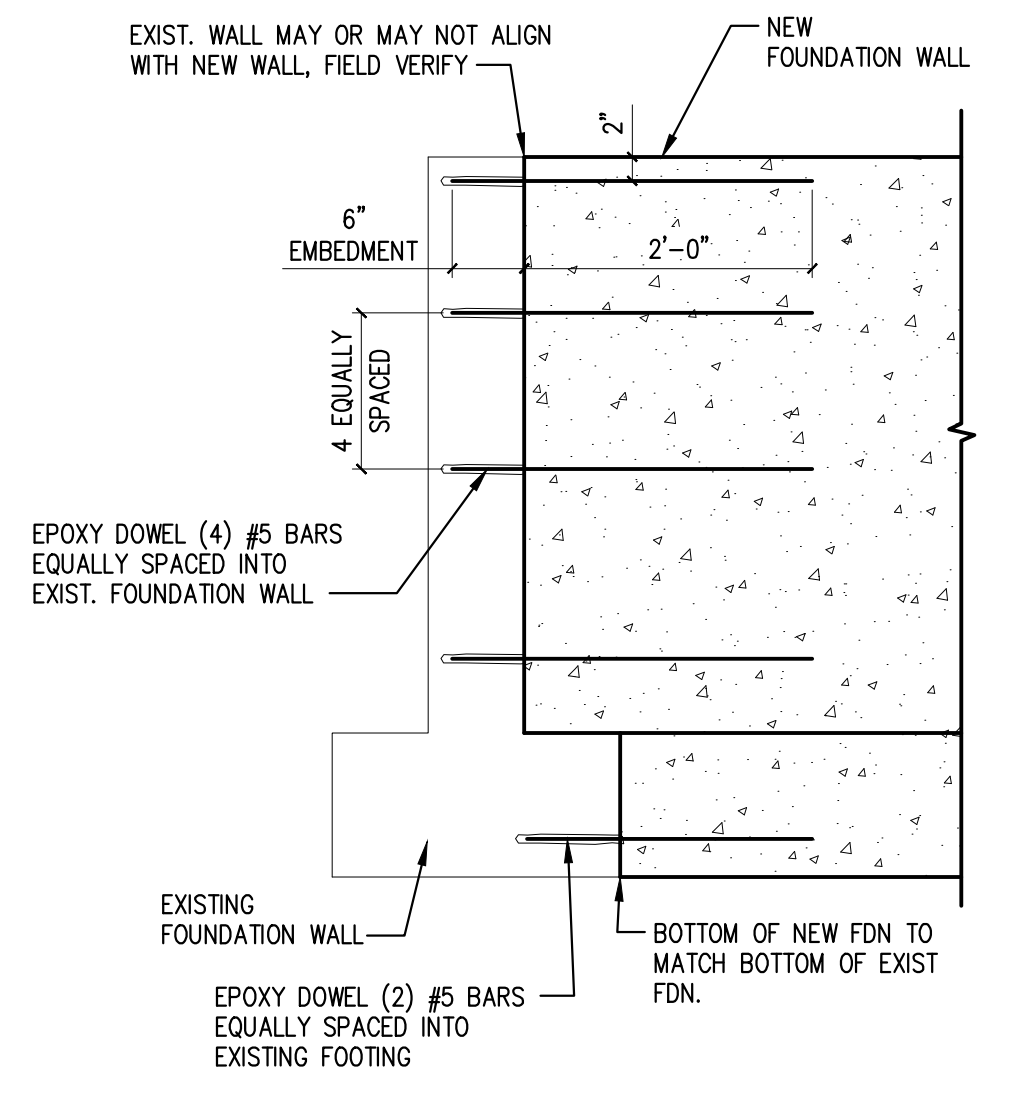


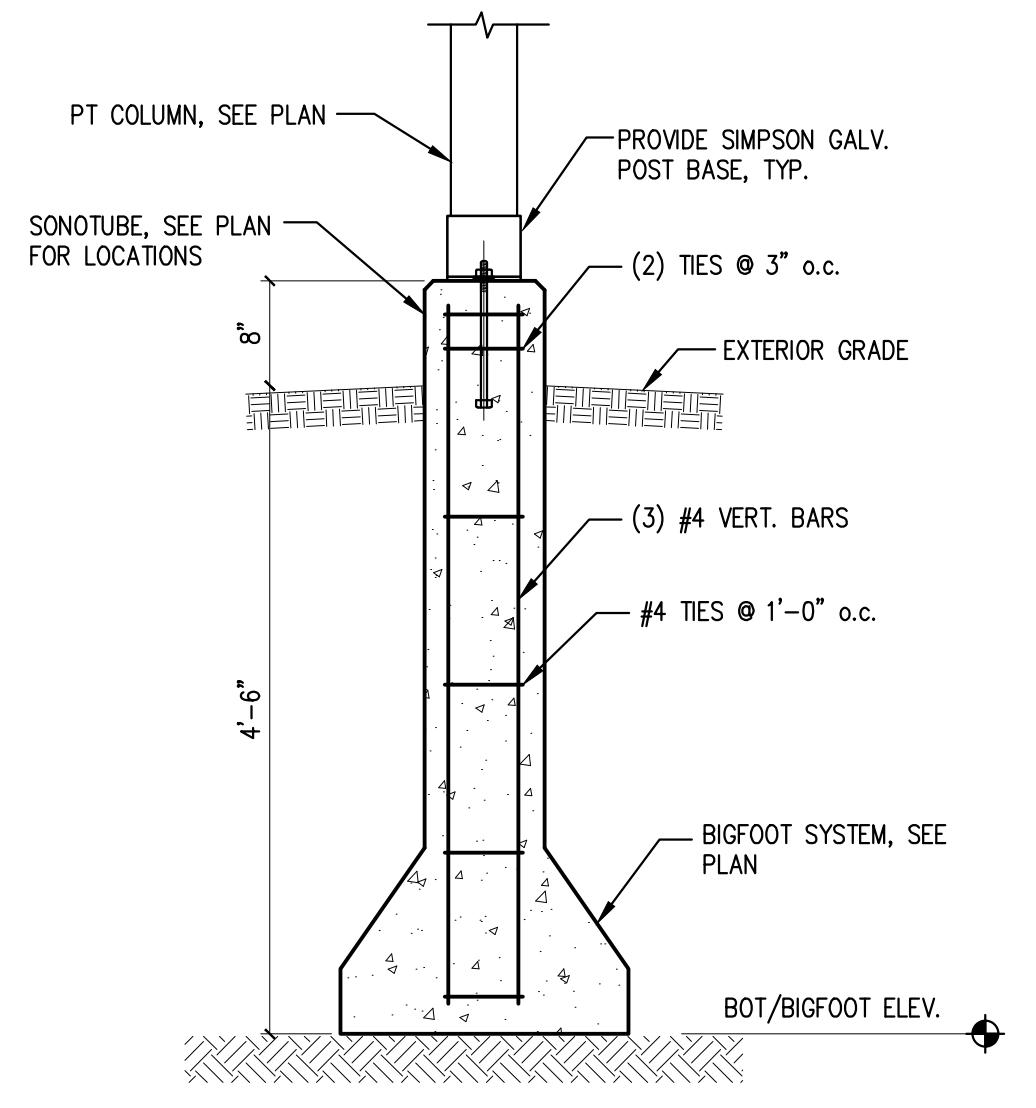
PRINTED: Oct 03, 2017



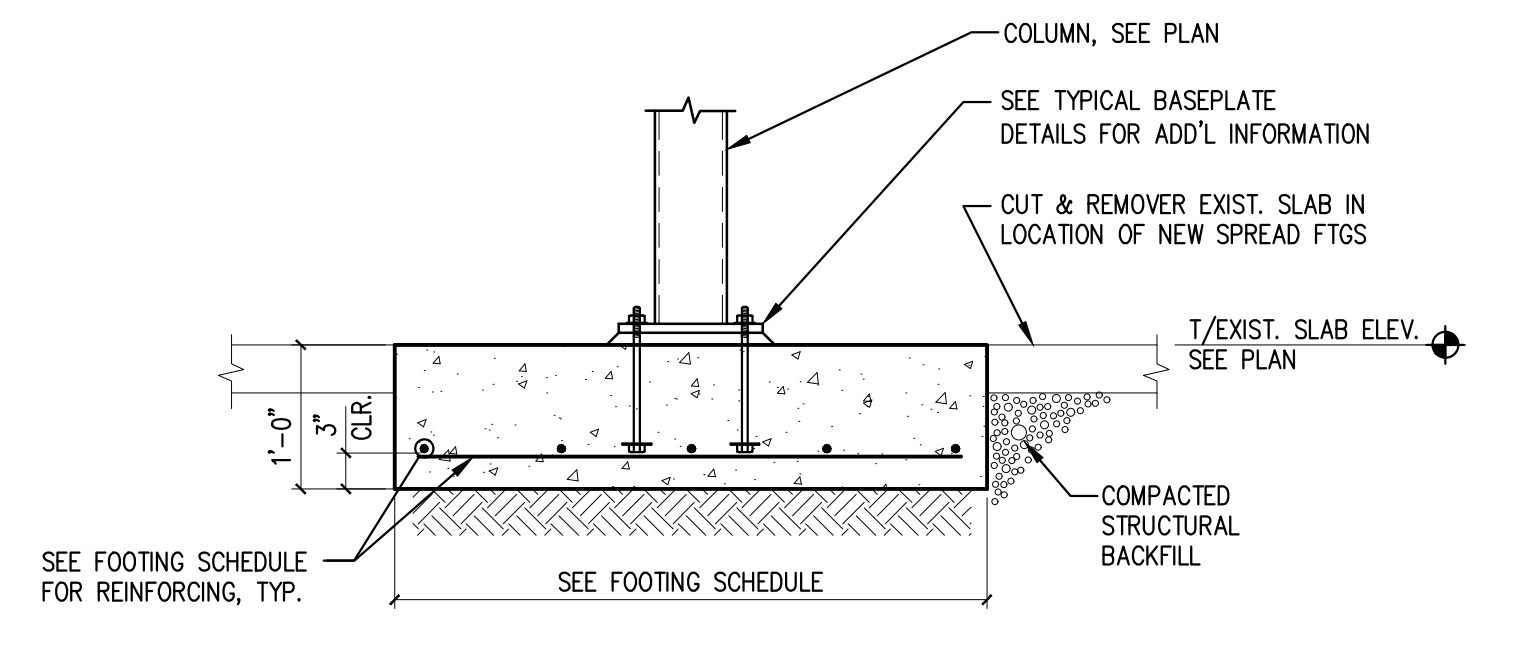
1 NEW FOUNDATION WALL SECTION 3/4" = 1'-0"



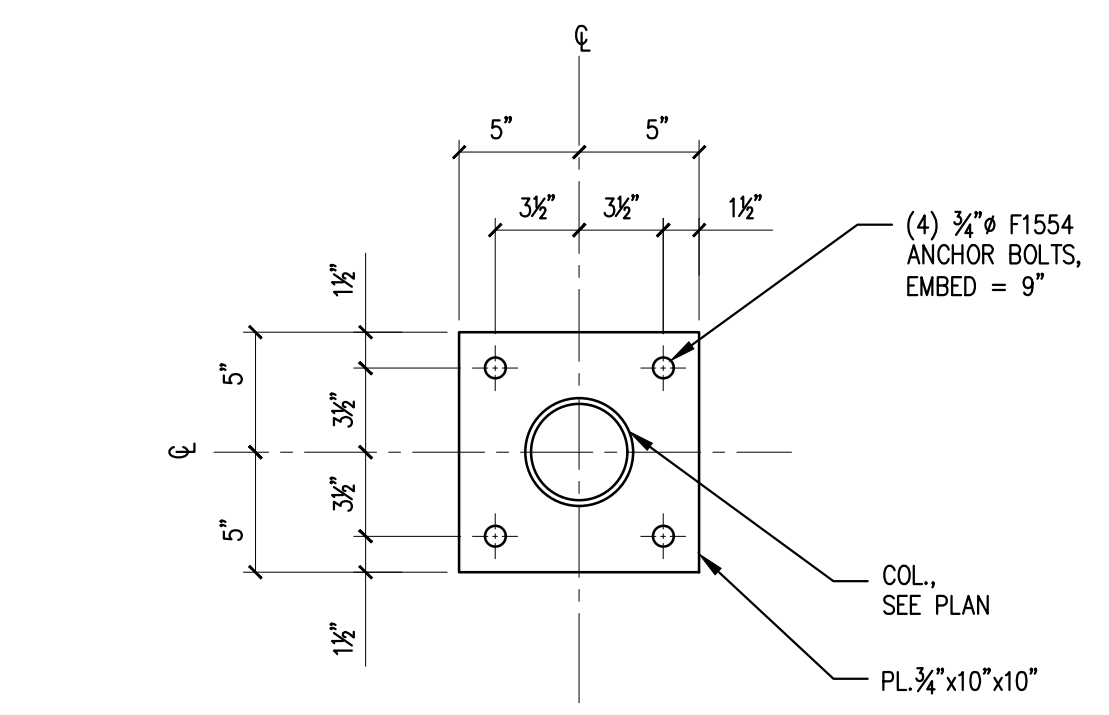
2 TYPICAL PIN TO EXISTING WALL DETAIL 3/4" = 1'-0"



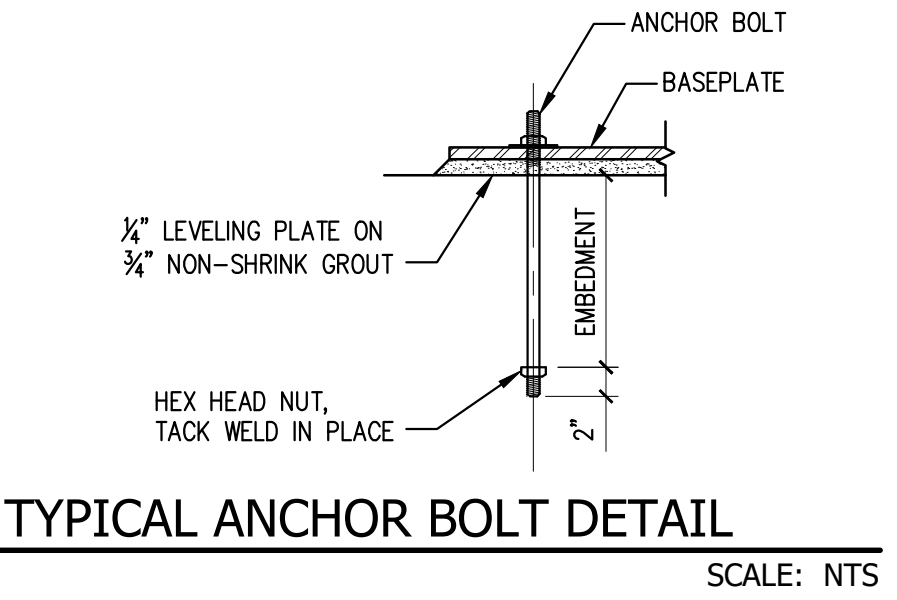
3 SONOTUBE & BIGFOOT DETAIL 3/4" = 1'-0"



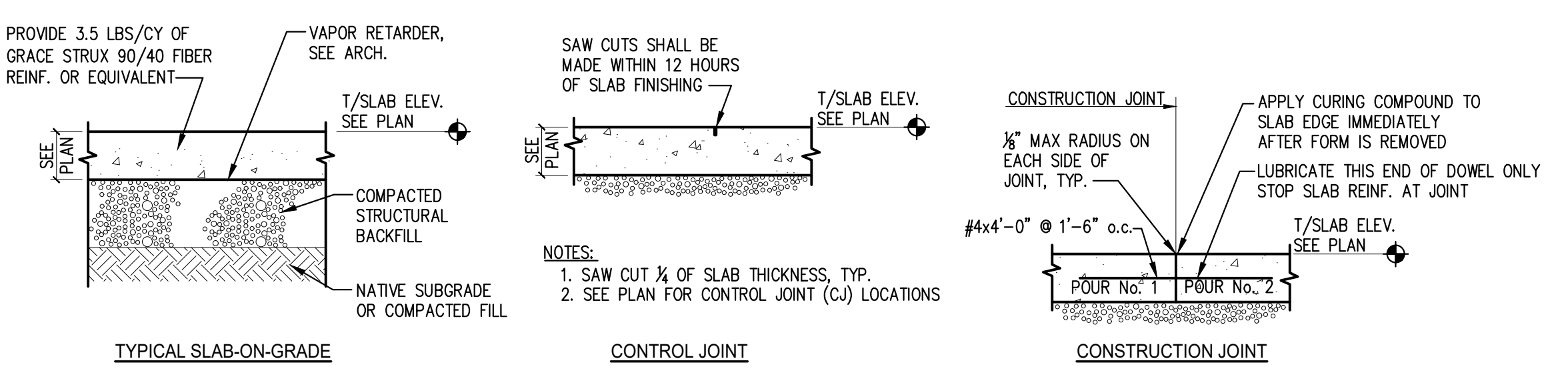
4 TYPICAL SPREAD FOOTING DETAIL 3/4" = 1'-0"



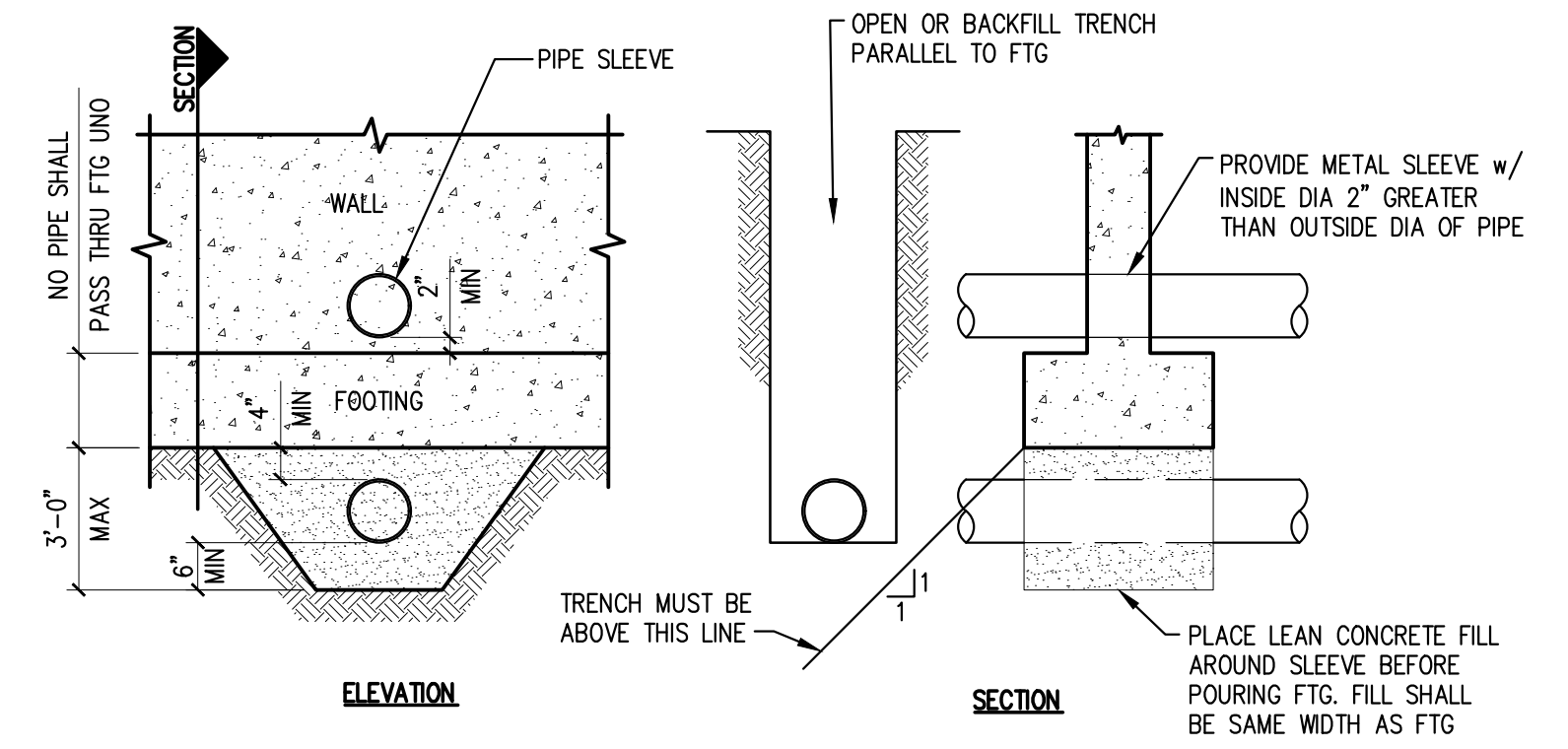
5 TYPICAL BASEPLATE DETAIL 1 1/2" = 1'-0"



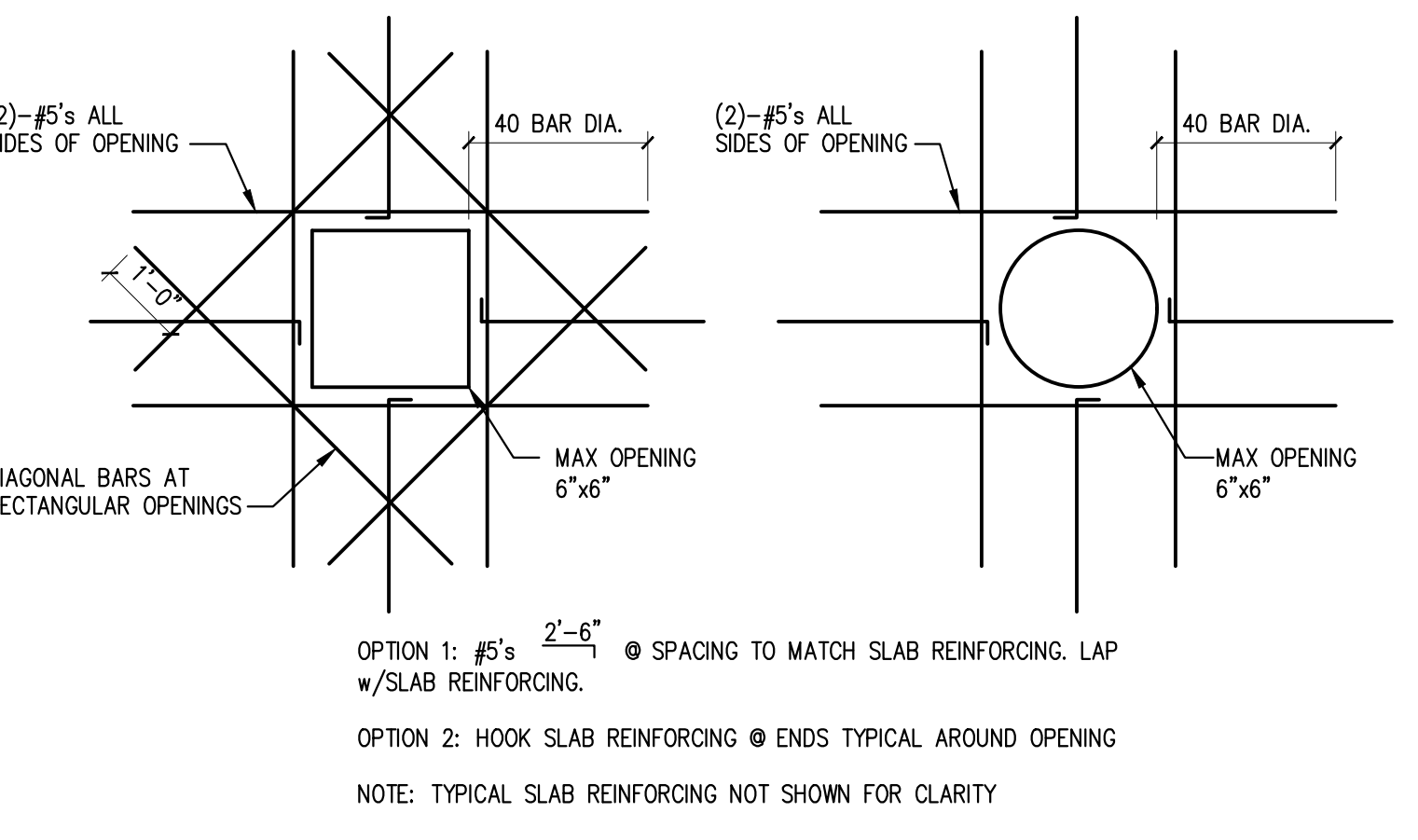
TYPICAL ANCHOR BOLT DETAIL SCALE: NTS



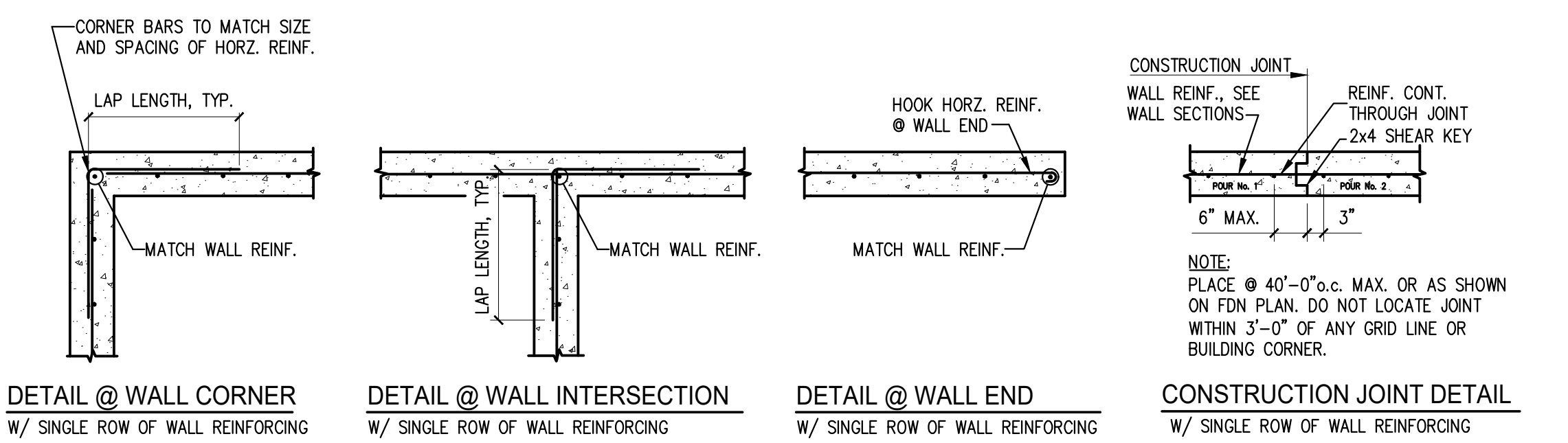
TYP. SLAB-ON-GRADE DETAIL SCALE: NTS



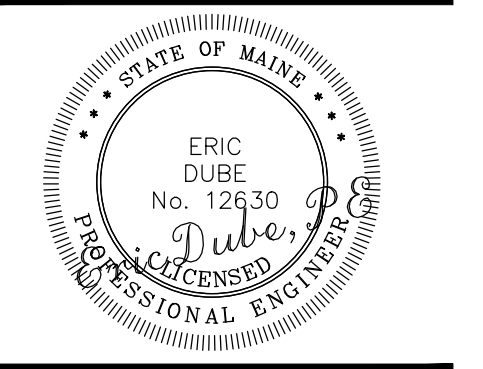
TYP. THROUGH WALL WALL PENETRATION DETAIL SCALE: NTS



TYPICAL OPENING IN WALL OR SLAB DETAIL SCALE: NTS



TYP. FOUNDATION WALL DETAILS SCALE: NTS



ISSUED	DR.	CHK.	DATE
DESCRIPTION	BY	BY	DATE
ISSUE FOR REVIEW	SD	SD	7-31-17
FOR PERMIT ONLY	SD	SD	8-1-17
ISSUE FOR CONSTRUCTION	SD	SD	10-3-17
No.	A	B	0