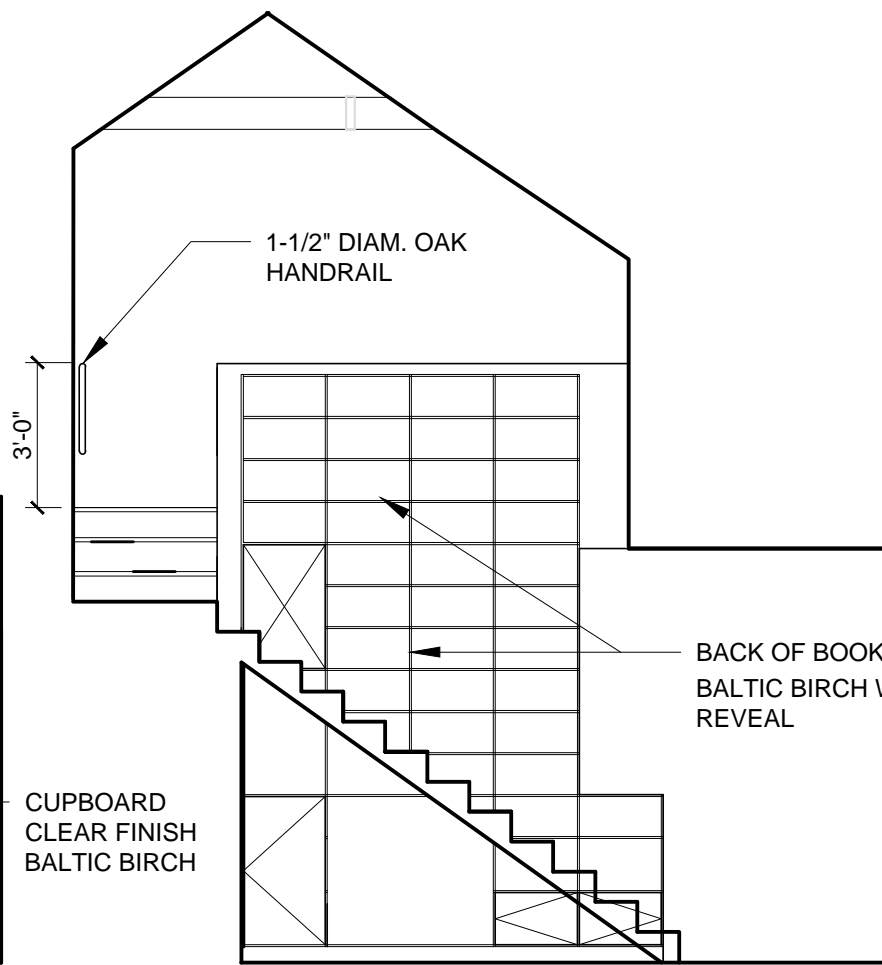
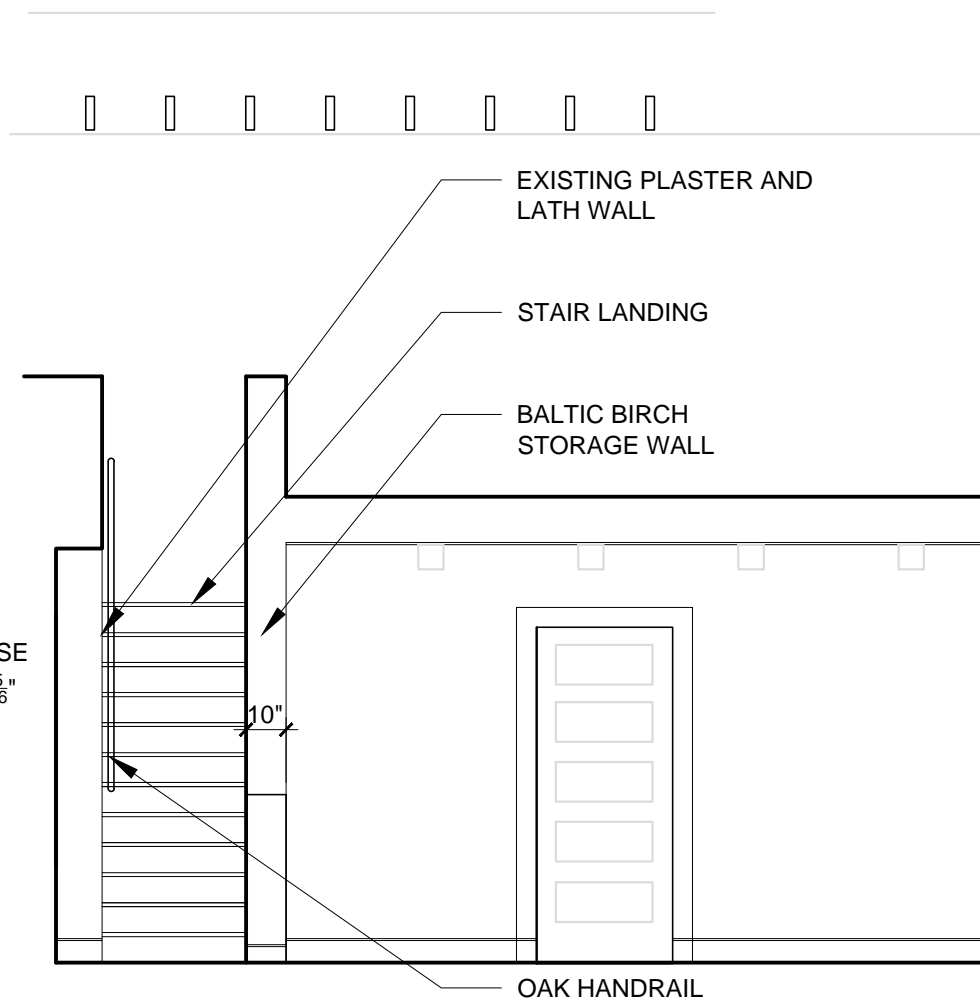


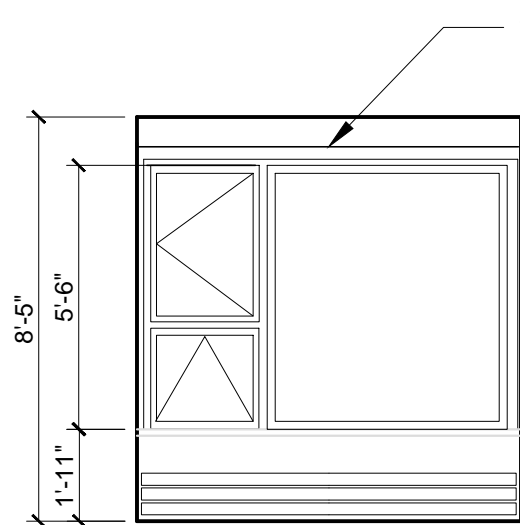
1 LIVING ROOM - BOOKCASE ELEVATION  
1/4" = 1'-0"



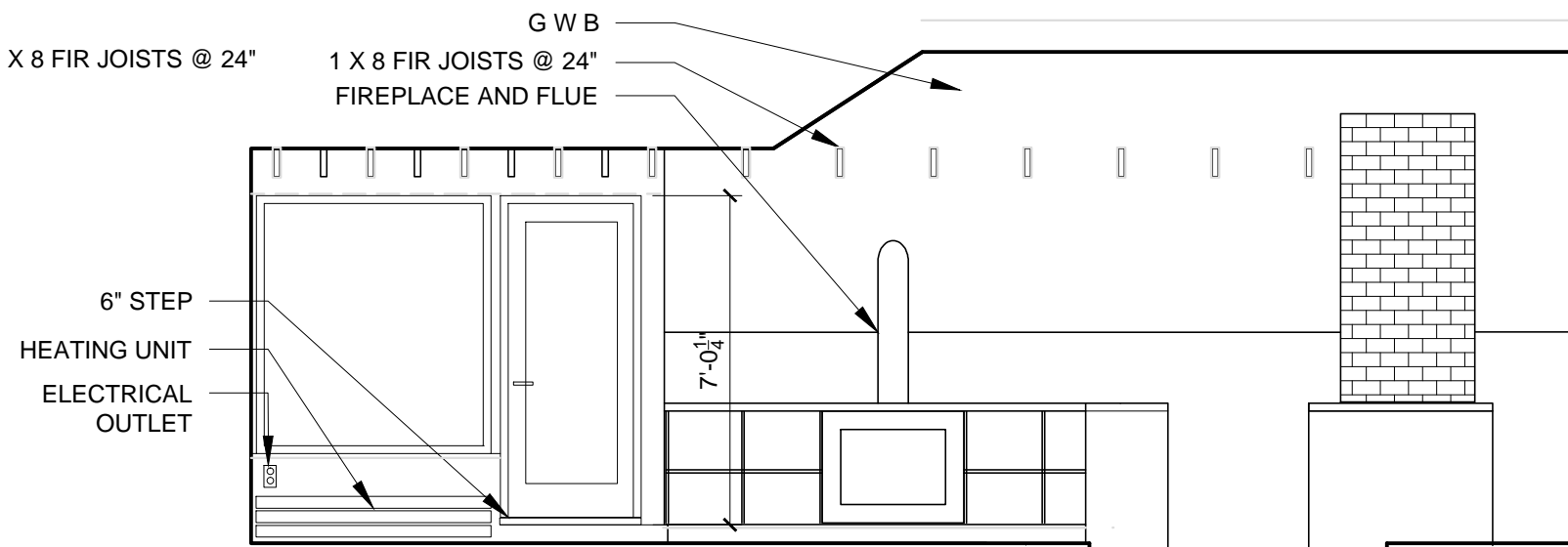
2 BOOKCASE/STAIR - INSIDE ELEVATION  
1/4" = 1'-0"



3 LIVING ROOM NORTH ELEVATION  
1/4" = 1'-0"

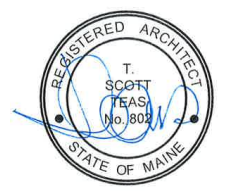


4 SITTING ROOM EAST  
1/4" = 1'-0"



5 SITTING ROOM SOUTH  
1/4" = 1'-0"

**SCATTERGOOD DESIGN**  
architecture + planning  
80 middle street  
portland, maine 04101  
207-775-6141  
scattergooddesign.com



90 MORNING STREET, PORTLAND, ME

INTERIOR ELEVATIONS

scale	date	project #	drawn by	checked by	title
1/4" = 1'-0"	15 APR 2016	1304			

A 4.0