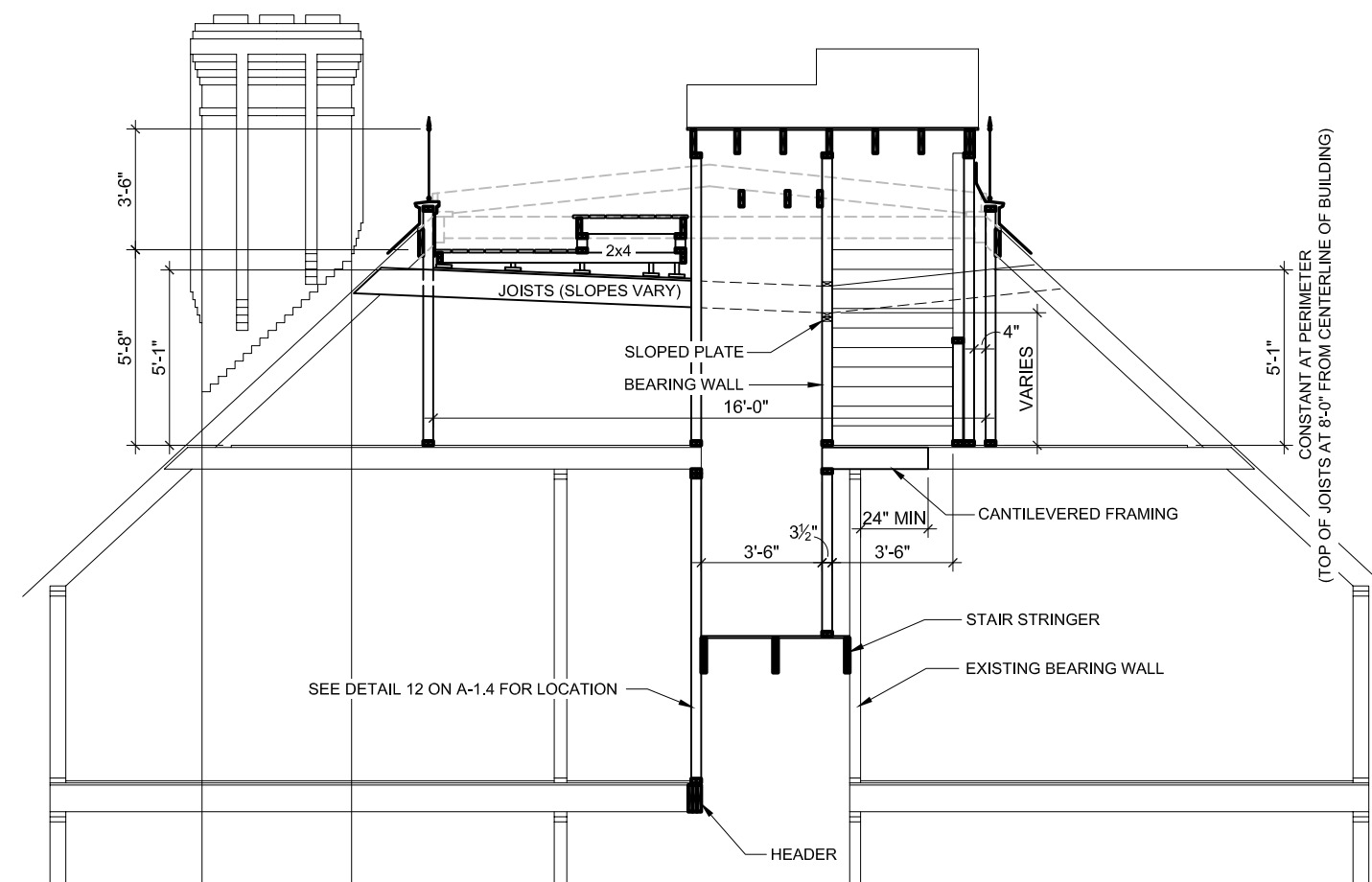
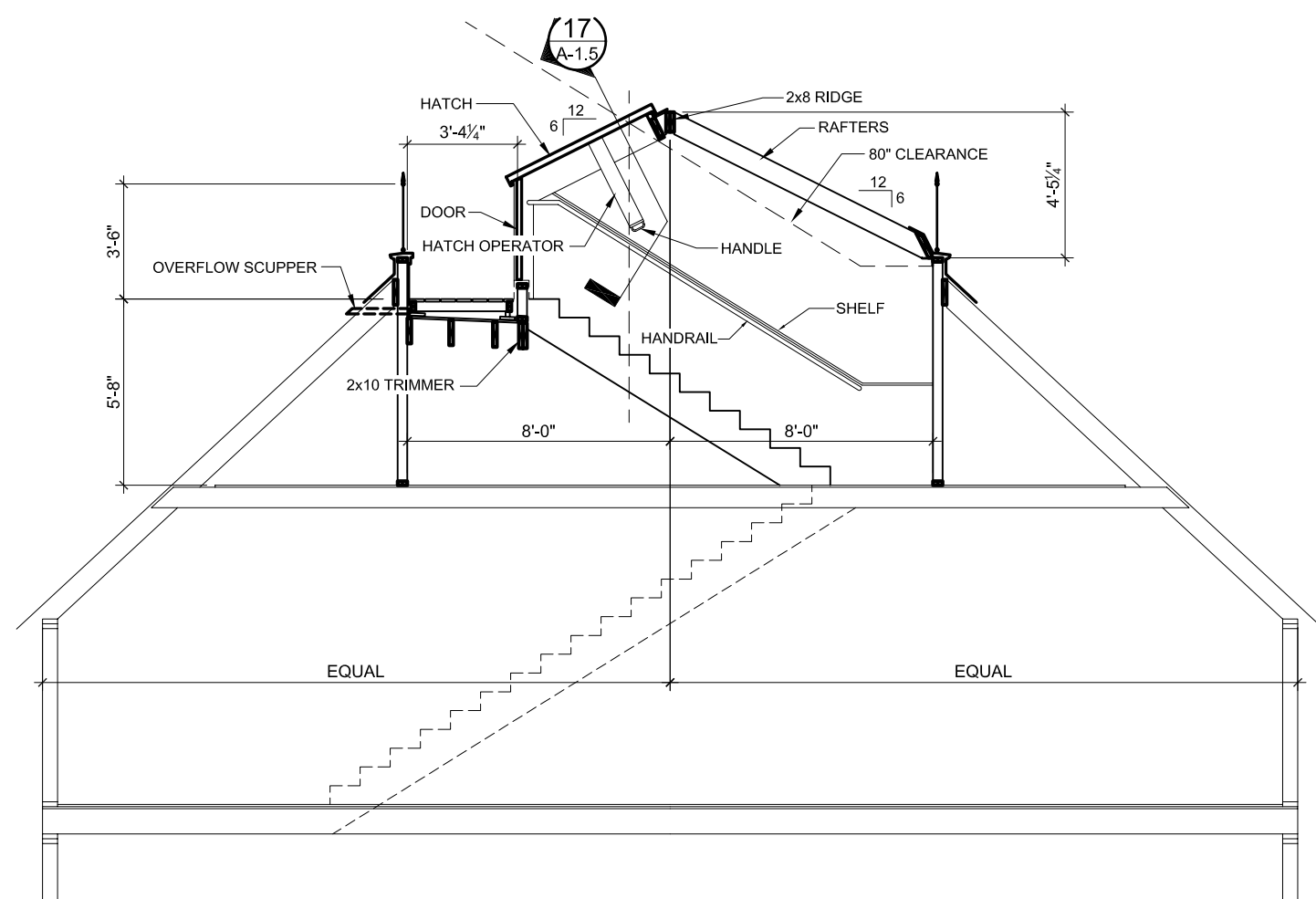


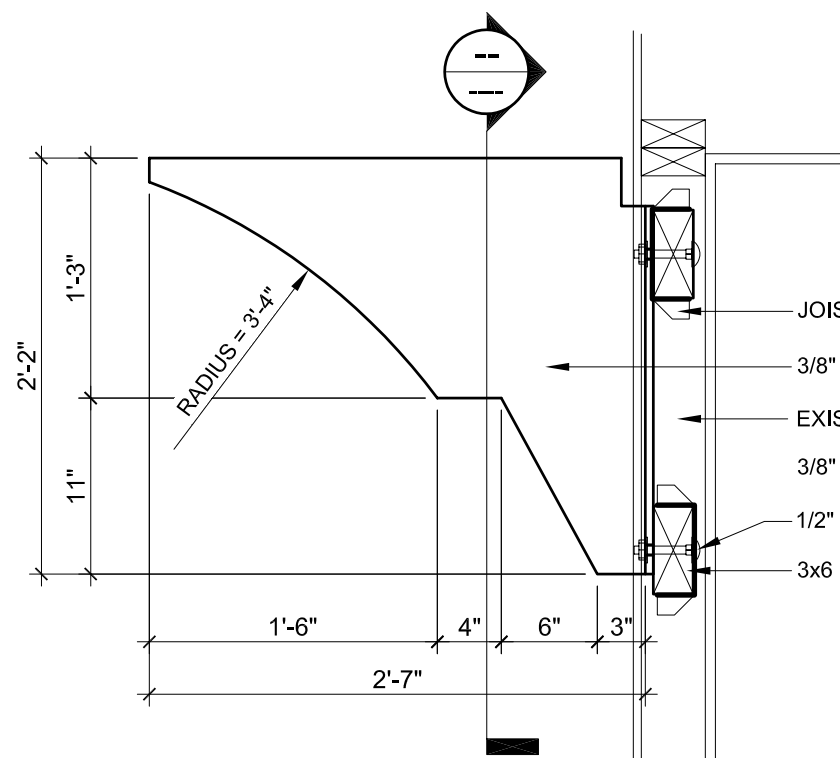
1 FRAMING SECTION AT ATTIC STAIR
 S-1.3 SCALE: 3/16" = 1'-0"



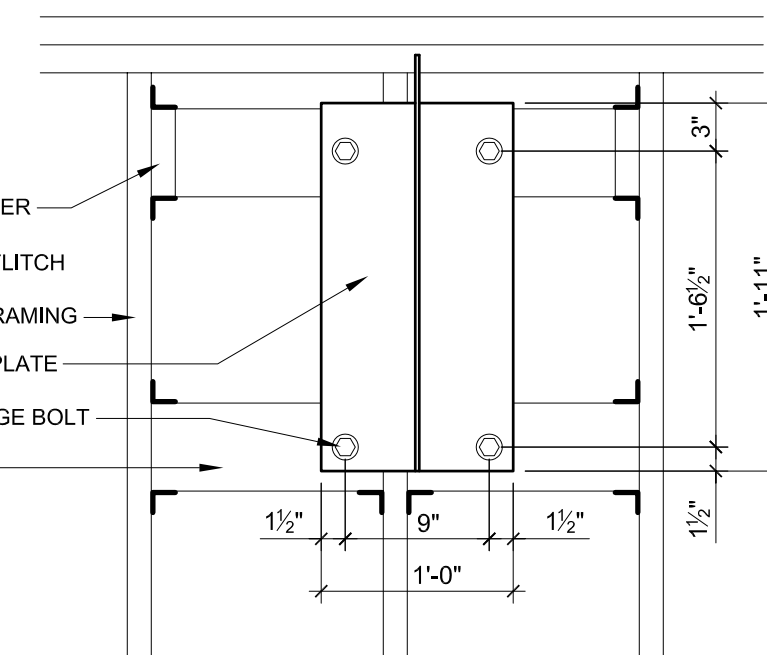
2 FRAMING CROSS SECTION AT STAIRS
 S-1.3 SCALE: 3/16" = 1'-0"



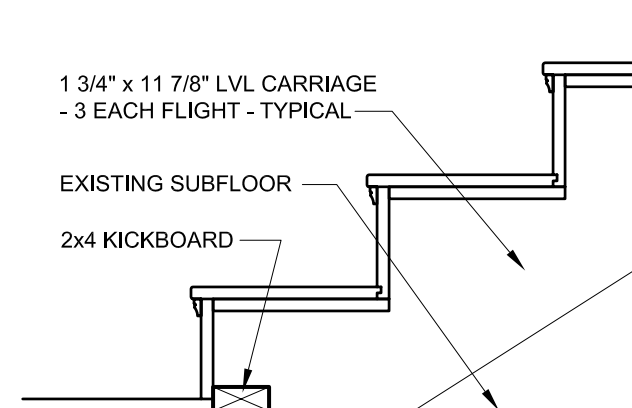
3 FRAMING SECTION AT ROOF DECK STAIR
 S-1.3 SCALE: 3/16" = 1'-0"



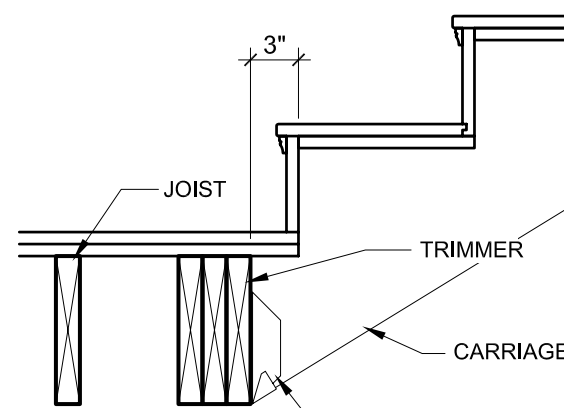
4 BRACKET SECTION
 S-1.3 SCALE: 1" = 1'-0"



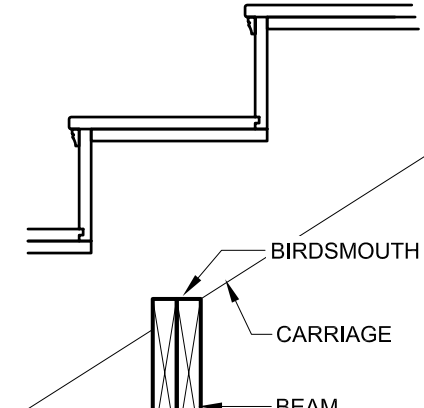
5 BRACKET CROSS SECTION
 S-1.3 SCALE: 1" = 1'-0"



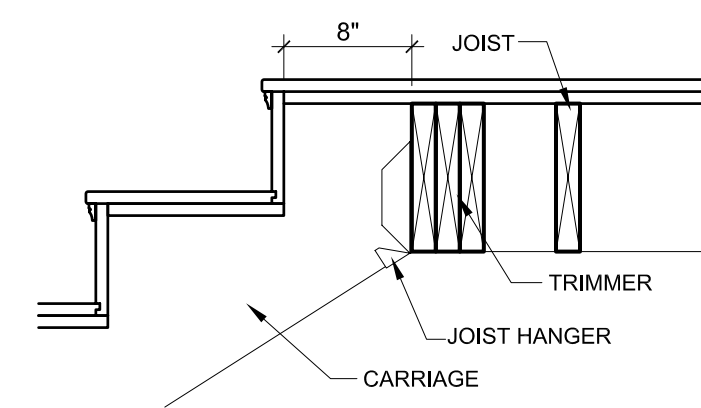
6 STAIR BOTTOM
 S-1.3 SCALE: 1" = 1'-0"



7 STAIR BOTTOM
 S-1.3 SCALE: 1" = 1'-0"



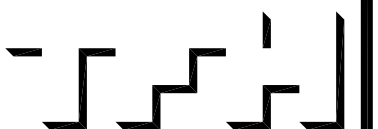
8 MID-FLIGHT HEADER
 S-1.3 SCALE: 1" = 1'-0"



9 STAIR TOP
 S-1.3 SCALE: 1" = 1'-0"

© 2005 TFH ARCHITECTS

84 Eastern Promenade
 Stair Renovation; Balcony & Roof Deck Additions
 Victorian Terrace, Portland, Maine



TFH ARCHITECTS
 100 COMMERCIAL STREET
 PORTLAND MAINE 04101
 TELEPHONE 207 775 6141
 ARCHITECTURE PLANNING

REVISIONS:

DATE: February 9, 2005

PROJECT No. 0429

DRAWN BY: WJT

CHECKED BY: DJT

SCALE: As Noted

SHEET TITLE:
 Framing Sections
 & Structural Details

S-1.3