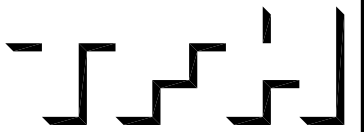


© 2005 TFH ARCHITECTS

84 Eastern Promenade

Stair Renovation; Balcony & Roof Deck Additions
Victorian Terrace, Portland, Maine



TFH ARCHITECTS
100 COMMERCIAL STREET
PORTLAND MAINE 04101
TELEPHONE 207 775 6141
ARCHITECTURE PLANNING

REVISIONS:

DATE: February 9, 2005

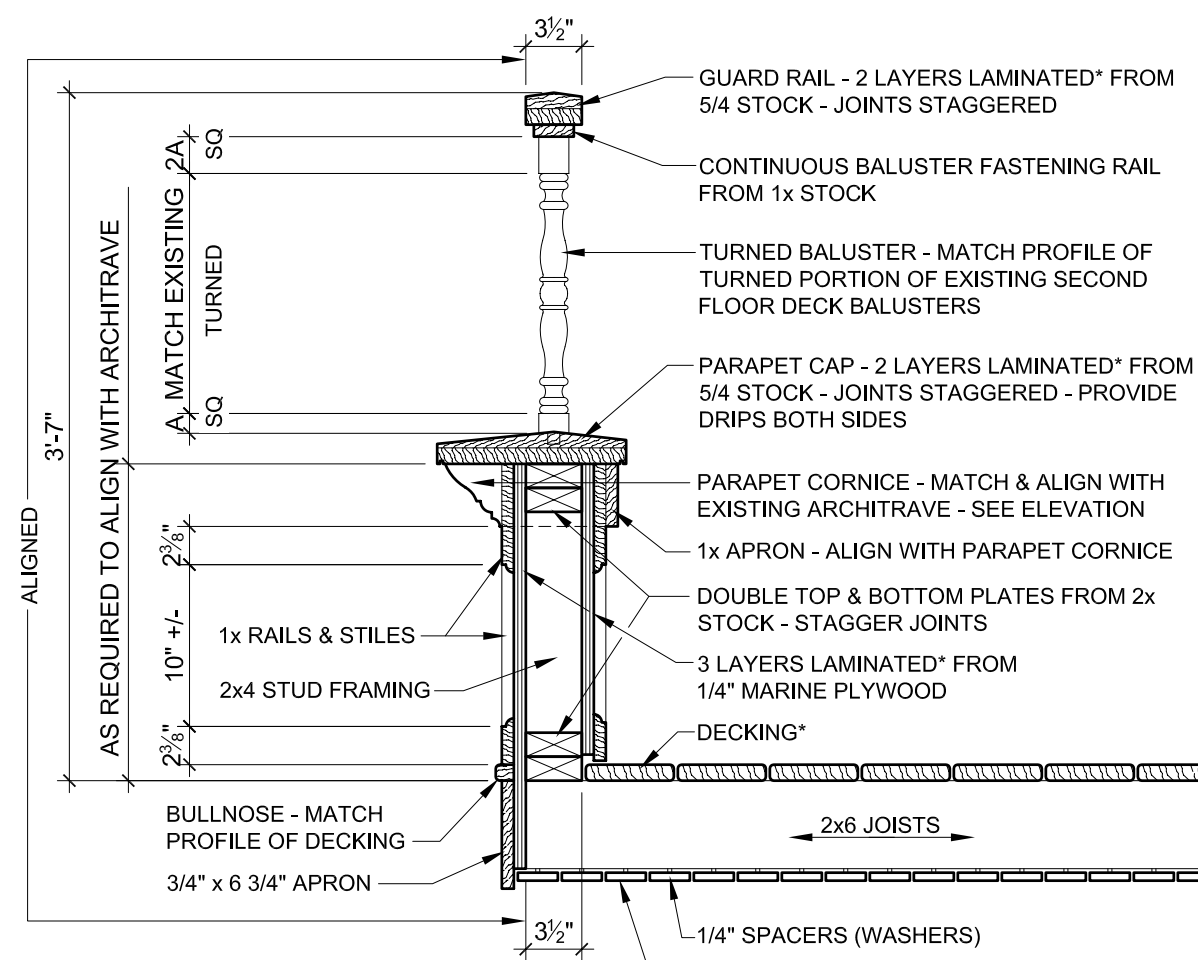
PROJECT No. 0429

DRAWN BY: WJT

CHECKED BY: TST

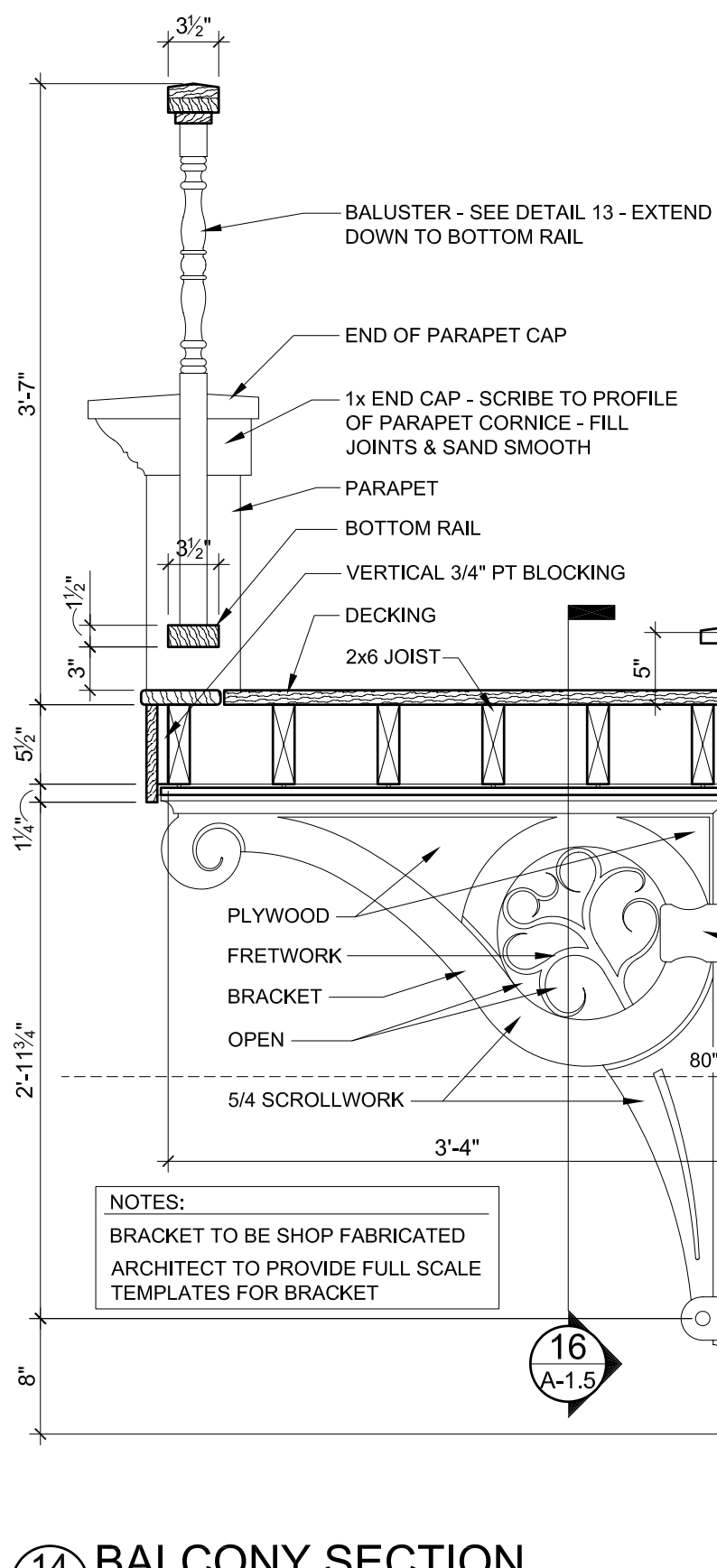
SCALE: As Noted

SHEET TITLE:
Balcony
Roof Hatch



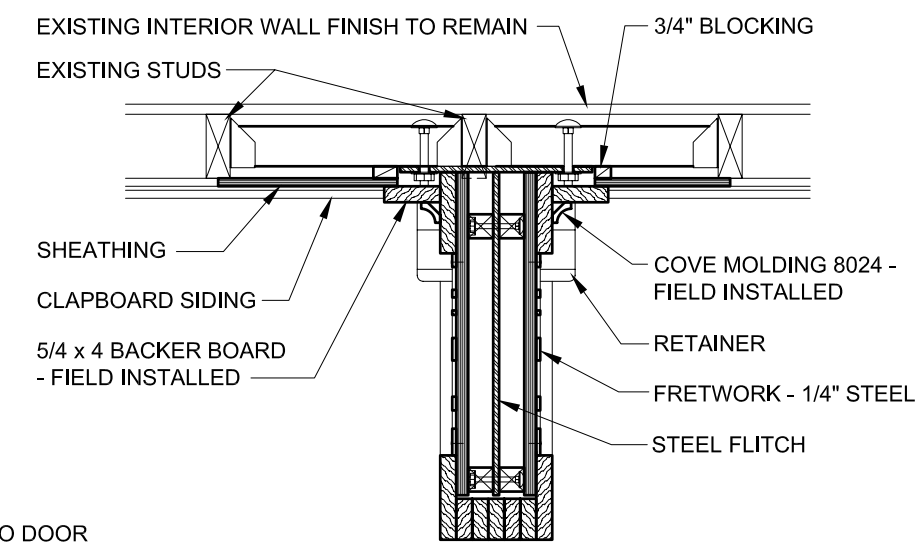
NOTE: PRIME ALL SURFACES OF ALL WOOD COMPONENTS, PRIOR TO INSTALLATION
NOTE: ALL BALCONY FRAMING TO BE PRESSURE TREATED

13 PARAPET SECTION
A-1.5 SCALE: 1" = 1'-0"

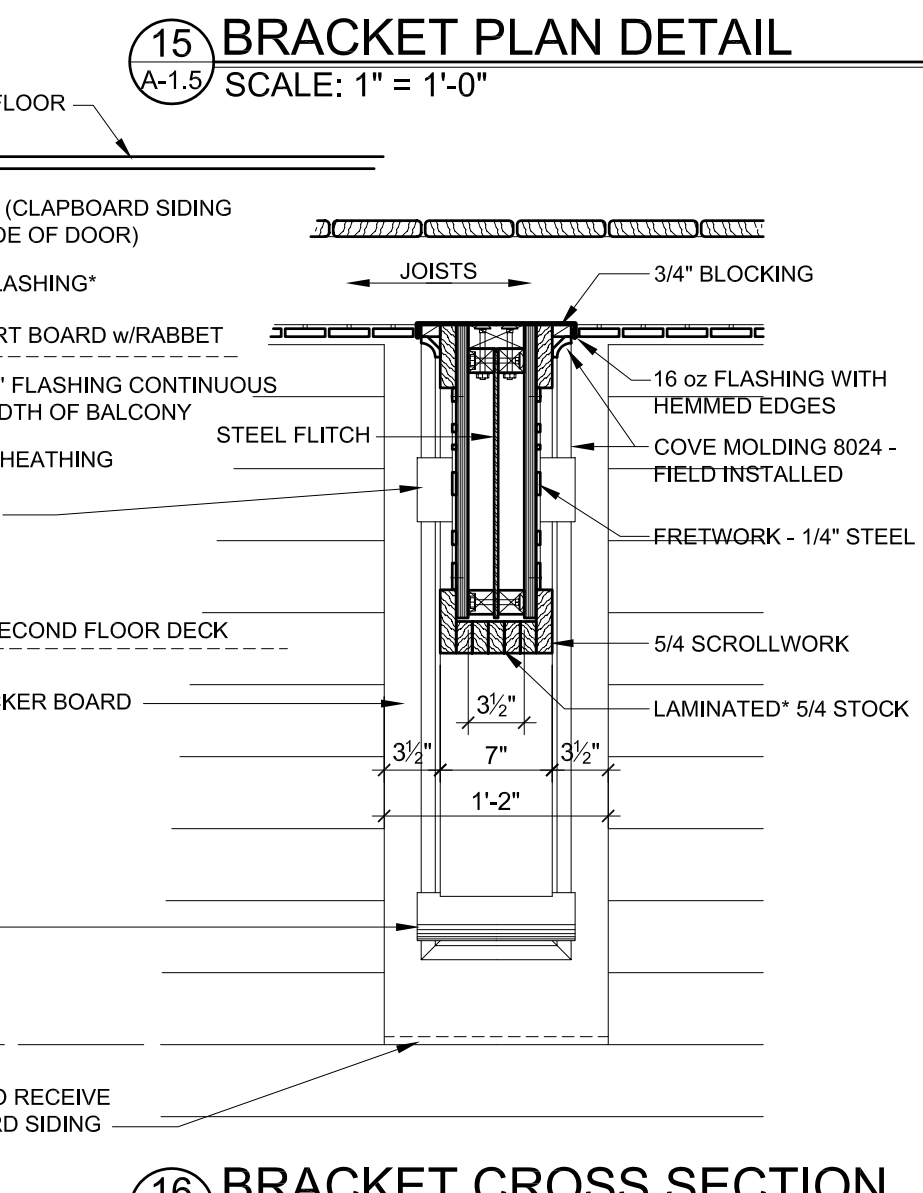


NOTES:
BRACKET TO BE SHOP FABRICATED
ARCHITECT TO PROVIDE FULL SCALE
TEMPLATES FOR BRACKET

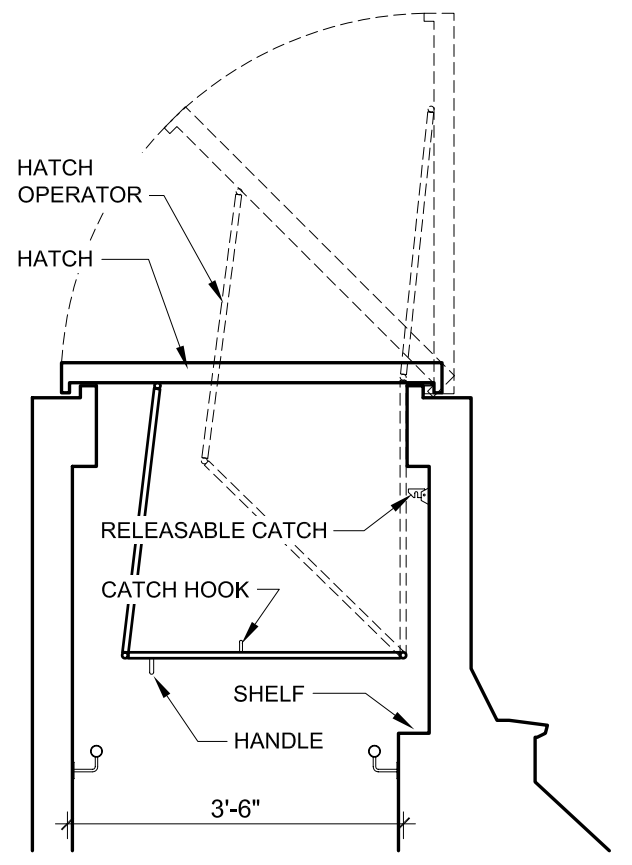
14 BALCONY SECTION
A-1.5 SCALE: 1" = 1'-0"



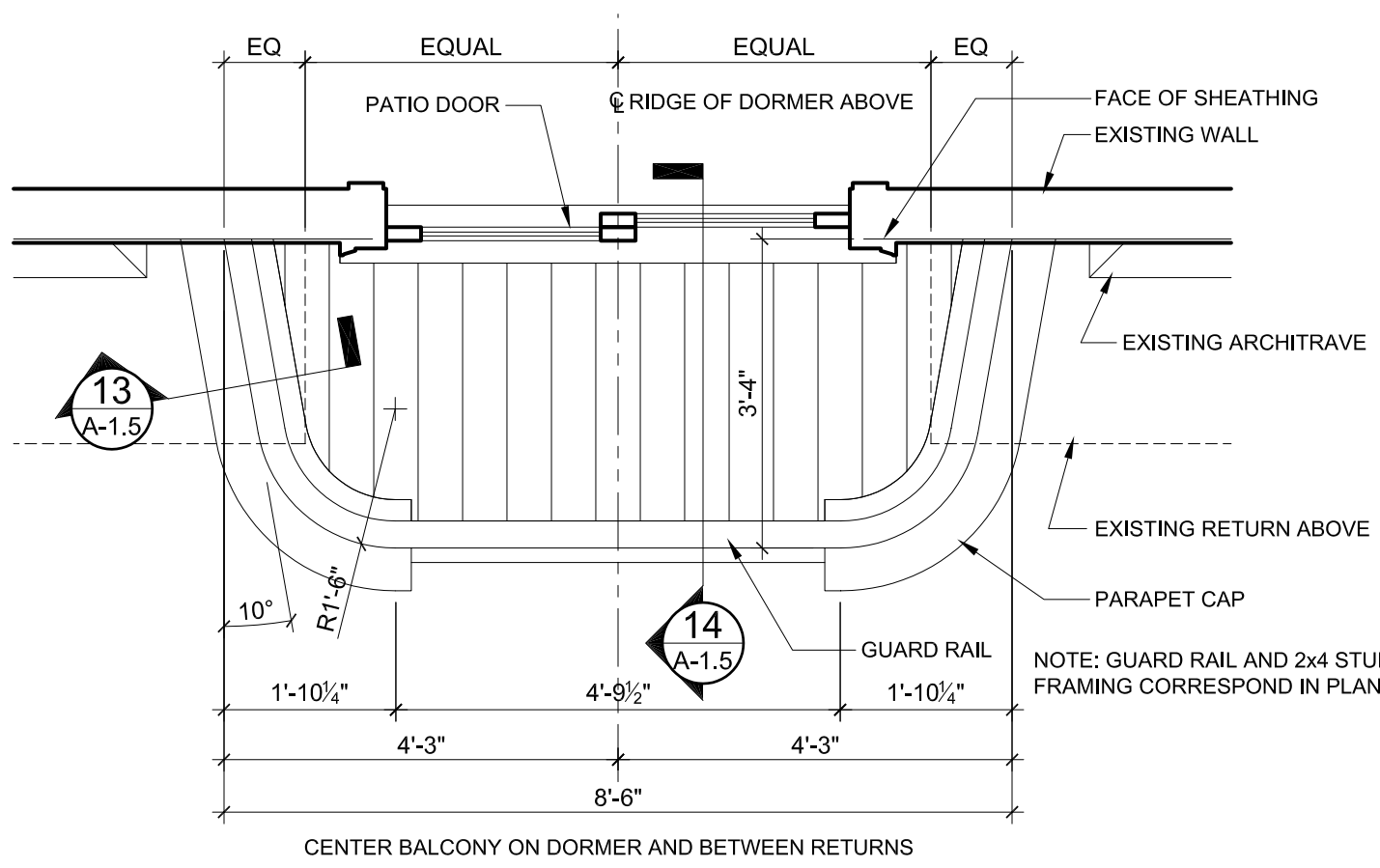
15 BRACKET PLAN DETAIL
A-1.5 SCALE: 1" = 1'-0"



16 BRACKET CROSS SECTION
A-1.5 SCALE: 1" = 1'-0"



17 ROOF HATCH
A-1.5 SCALE: 1/2" = 1'-0"



NOTE: ARCHITECT TO PROVIDE FULL SCALE TEMPLATES FOR CURVED PORTIONS OF GUARD RAIL & PARAPET CAP

18 BALCONY PLAN
A-1.5 SCALE: 1/2" = 1'-0"

A-1.5