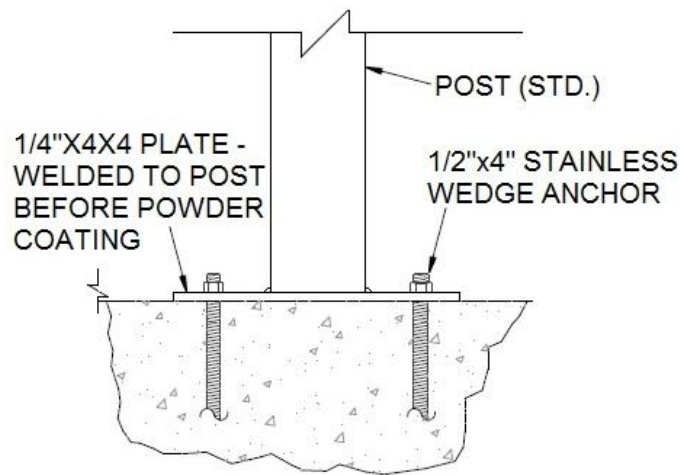


RAIL SECTION SIDE VIEW



SURFACE MOUNT - POST ON PLATE ATTACHMENT

108 EASTERN PROMENADE, PORTLAND
 RAILING AND SURFACE MOUNT ATTACHMENT
 REPLACEMENT OF EXISTING FAILING CONCRETE STEPS

J. HALL LANDSCAPING
 76 TANDBERG TRL.
 WINDHAM, ME 04062
 207-318-3497