

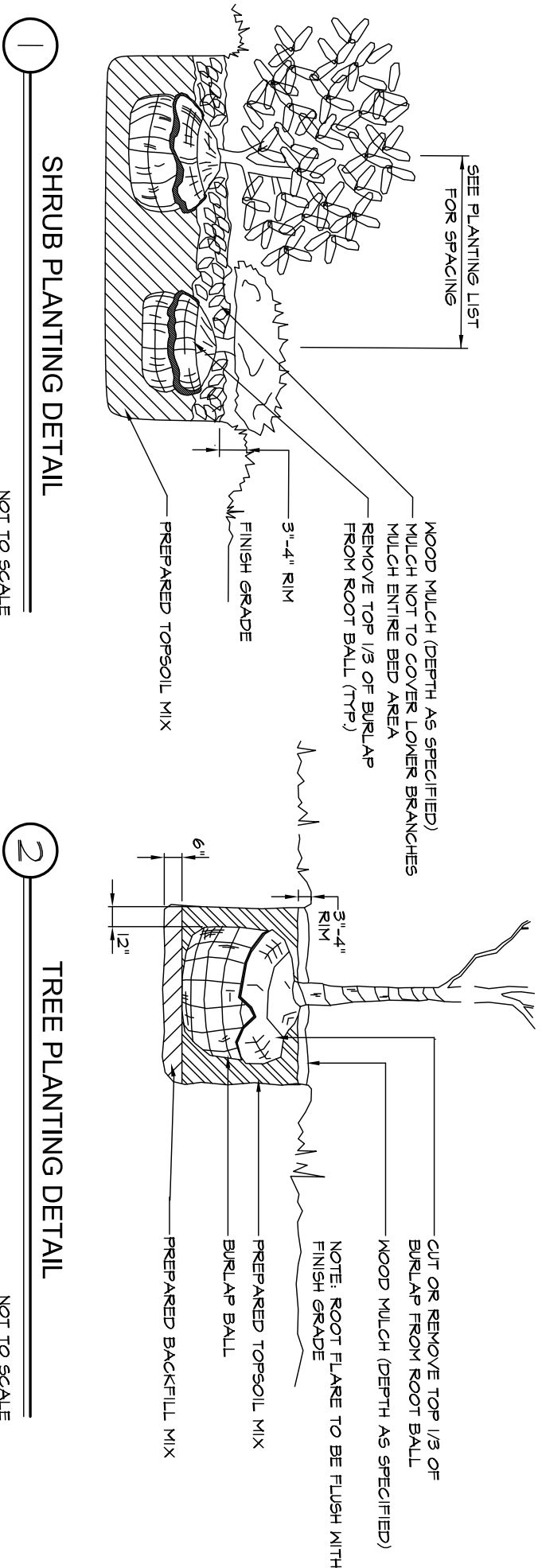
PLANT SCHEDULE

QTY	SYMBOL	BOTANICAL NAME	COMMON NAME	SIZE	REMARKS
TREES					
4	AF	ACER X FREDYANI 'ARSTRONG'	ARSTRONG MAPLE	3" CAL.	B1B
1	MA	MALUS SP.	FLOWERING CRAB	2" CAL.	B1B/HEAVY GROWTH
1	SR	STRONGIA RETICULATA 'IVORY SILK'	IVORY SILK TREE LILAC	2" CAL.	B1B / SINGLE STEM
1	ST	STYKIANTIA PESUDOCAMPELLA	JAPANESE STYKIANTIA	6-7"	B1B
SHRUBS / ORNAMENTAL GRASSES / GROUNDCOVERS/BULBS					
15	CA	COTONEASTER APICULATUS	CRABAPPLE COTONEASTER	3 GAL.	CONT
3	CH	CHAMAECYPARIS OBTUSA 'COMPACTA'	COMPACT HIKOKI FALSESPRUCE	5-6"	B1B
4	CL	GLETHERA ALTIFFOLIA 'SIXTEEN CANDLES'	DIAPER SWAMPSPURLET	18-18"	B1B
1	JS	JUNIPERUS SCOPULORUM 'MICHITA BLUE'	MICHITA BLUE JUNIPER	4-5"	B1B
1	HQ	HYDRANGEA OBERDIEFOLIA 'SIEGES DIAPER'	DIAPER OAKLEAF HYDRANGEA	5 GAL.	CONT.
64	HO	HOSTA SP. (ASSORTED)	HOSTA (ASSORTED)	2 GAL.	CONT. / 24" O.C.
3	MC	MISCANANTHUS SINENSIS 'STRICUS'	PORQUINE GRASS	3 GAL.	CONT.
3	NP	NERICA PENST. 'LANICA'	NORTHERN BANNER	30-36"	CONT.
3	PV	PANICUM VIRGATUM 'SHENANDOAH'	SWITCH GRASS	3 GAL.	CONT.
10	RA	RHUS ARZONICA 'GRO-LON'	DIAPER FRAGRANT SYAC	1 GAL.	CONT.
6	SA	SAUX PIRENEA	DIAPER ARCTIC MALLOW	5 GAL.	CONT.
3	SB	SPIRAEA X BIKALDA 'NEON FLASH'	NEON FLASH SPREA	18-24"	CONT.
3	VP	VERBNUM CARLESII	KOREANSPICE VERBNUM	30-36"	B1B
3	VP	VERB. BULGARIUM 'TOKENT. SNOWFLAKE'	SNOWER SNOWFLAKE VERBNUM	30-36"	B1B
	PER	ASSORTED PERENNIALS	(TO BE DETERMINED)	1 GAL.	ZONE HARDY

NOTE: ALL SUBSTITUTIONS SHALL BE APPROVED BY LANDSCAPE ARCHITECT PRIOR TO ORDERING OF PLANTS

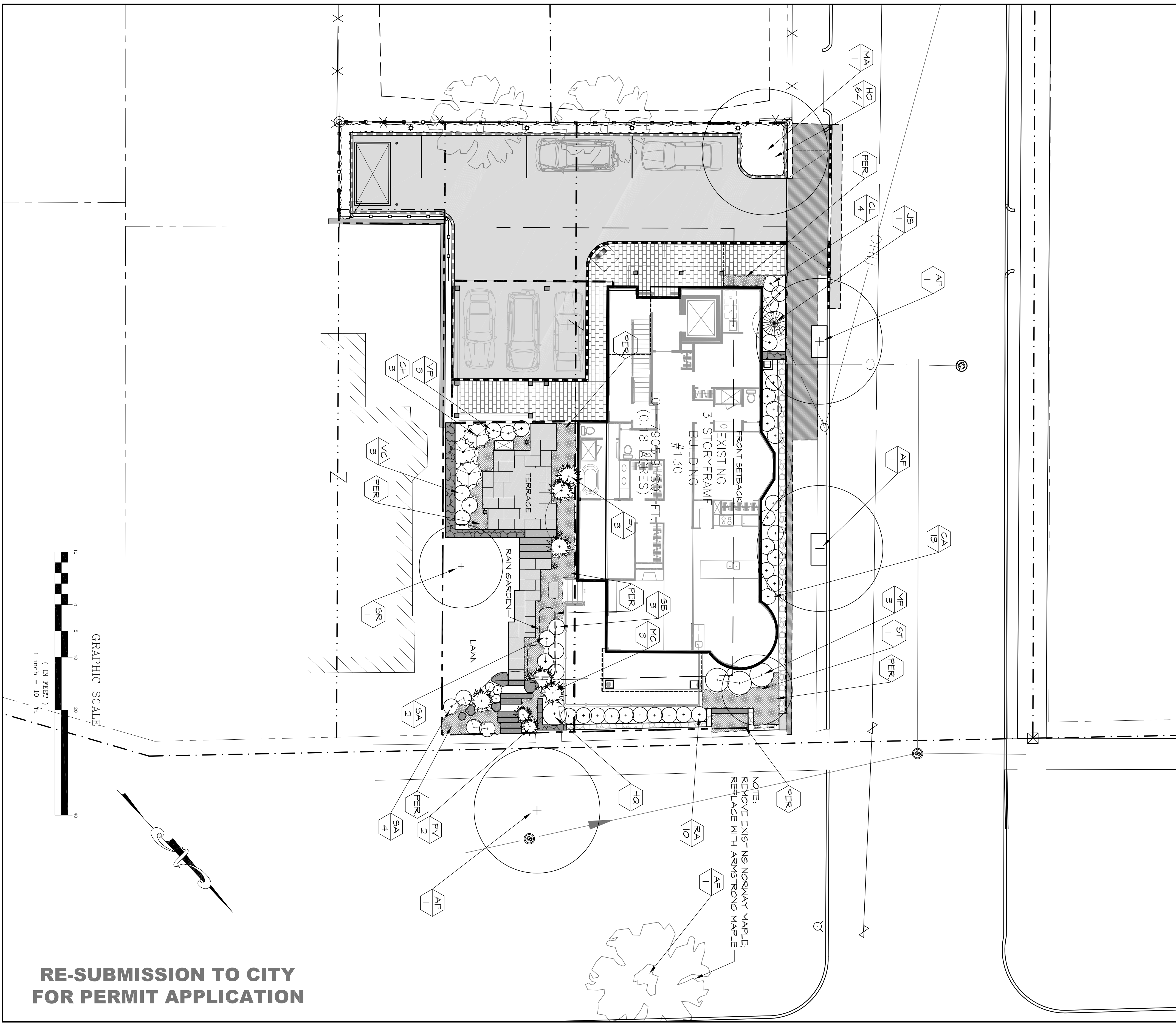
PLANTING NOTES

- CONTRACTOR SHALL BEGIN MAINTENANCE IMMEDIATELY AFTER PLANTING AND SHALL CONTINUE UNTIL FINAL ACCEPTANCE.
- CONTRACTOR SHALL BE RESPONSIBLE FOR ALL WEANS AND METHODS OF WATERING AND MAINTENANCE.
- CONTRACTOR SHALL SUPPLY PLANTS IN QUANTITIES SUFFICIENT TO COMPLETE WORK SHOWN ON THE PLAN. ANY DISCREPANCY BETWEEN THE QUANTITIES SHOWN ON THE PLAN AND THE QUANTITIES SHOWN ON THE PLANT SCHEDULE SHALL BE THE RESPONSIBILITY OF THE CONTRACTOR. ADDITIONAL RENOVATION ANY DISCREPANCY SHALL BE CLARIFIED WITH THE LANDSCAPE ARCHITECT PRIOR TO ORDERING PLANT MATERIAL.
- ALL MATERIALS SHALL CONFORM TO SPECIFICATIONS OF THE AMERICAN STANDARDS FOR NURSERY STOCK (LATEST EDITION) AS SET FORTH IN THE STANDARD SPECIFICATIONS FOR LANDSCAPE ARCHITECTS.
- ALL PLANTS SHALL BEAR THE SAME RELATIONSHIP TO FINISH GRADE AS THE ORIGINAL GRADINGS BEFORE DIGGING.
- THE LANDSCAPE CONTRACTOR SHALL GUARANTEE ALL PLANT MATERIALS FOR ONE (1) FULL YEAR FROM DATE OF SUBSTITUTIONAL CONVEYANCE.
- CONTRACTOR SHALL BE RESPONSIBLE FOR THE APPROVAL OF THE LANDSCAPE ARCHITECT AT THE NURSERY AND AT THE SITE.
- NO PLANT MATERIAL SHALL BE INSTALLED UNTIL GRUBBING, BED PREPARATION AND FINISH GRADING HAS BEEN COMPLETED IN THE AREA.
- ALL PLANT BEDS AND TREE BELLS SHALL HAVE A MINIMUM OF 3" OF UNIFORMLY DISTRIBUTED DARK, SHEDDED BARK MULCH. CONTRACTOR SHALL SUBMIT SOIL SAMPLE AND TEST OF TOPSOIL TO LANDSCAPE ARCHITECT PRIOR TO INSTALLATION. SOIL ADJUSTERS SHALL BE ADDED TO EXISTING SOIL BY CONTRACTOR IF DEEVED NECESSARY BY SOIL TEST RESULTS.
- CONTRACTOR SHALL NOTIFY LANDSCAPE ARCHITECT 48 HOURS PRIOR TO RECEIVING SITE VISITOR TO PLANT INSTALLATION.
- ALL PLANTS SHALL BE BALLED AND WRAPPED OR CONTAINER GROWN AS SPECIFIED. ALL ROOT WRAPPING AND CONTAINER MATERIAL MADE OF SYNTHETIC OR PLASTIC SHALL BE REMOVED AT THE TIME OF PLANTING AND THE CONTRACTOR SHALL BE RESPONSIBLE FOR THE PROTECTION OF THE PLANTS FROM DAMAGE DURING THE TIME OF PLANTING AND THE CONTRACTOR SHALL BE RESPONSIBLE FOR THE PROTECTION OF THE PLANTS FROM DAMAGE DURING THE TIME OF PLANTING.
- ALL PLANTS SHALL BE INSTALLED AS PER DETAILS AND THE CONTRACT SPECIFICATIONS. THE LANDSCAPE CONTRACTOR SHALL REFER TO THE CONTRACT SPECIFICATIONS FOR ADDITIONAL REQUIREMENTS.
- CONTRACTOR SHALL STRIKE ROOTS AND REMOVE WEEDS FROM PLANT BEDS PRIOR TO PLANTING.
- CONTRACTOR SHALL STRIKE ROOTS AND REMOVE WEEDS FROM PLANT BEDS PRIOR TO PLANTING.
- ALL PLANTS SHALL BE INSTALLED AS PER DETAILS AND THE CONTRACT SPECIFICATIONS. THE LANDSCAPE CONTRACTOR SHALL REFER TO THE CONTRACT SPECIFICATIONS FOR ADDITIONAL REQUIREMENTS.
- ALL PLANTS SHALL THEN BE WATERED BY THE CONTRACTOR AS NECESSARY TO INSURE HEALTH UNTIL FINAL ACCEPTANCE.
- THE LANDSCAPE CONTRACTOR SHALL REFER TO THE PLANT LIST AND PLANTING SPECIFICATIONS FOR SEASONAL REQUIREMENTS AND OTHER RESTRICTIONS RELATED TO THE TIME AND SEASON OF PLANTING.



1 SHRUB PLANTING DETAIL  
NOT TO SCALE

2 TREE PLANTING DETAIL  
NOT TO SCALE



NOTE:  
REMOVE EXISTING NORWAY MAPLE.  
REPLACE WITH ARSTRONG MAPLE

RE-SUBMISSION TO CITY  
FOR PERMIT APPLICATION

130 EASTERN  
PROMENADE  
PORTLAND, MAINE

CARROLL ASSOCIATES  
Landscape Architects

217 Commercial Street Portland, Maine 04101  
207.772.1552 pcarroll@carroll-assoc.com

Consultants:

SURVEYOR:  
Robert Greenlaw PLS  
174 Portland Ave.  
Old Orchard Beach, ME 04064  
207-749-9471

ARCHITECT:  
Mark Mueller Architects  
100 Commercial St.  
Portland, ME 04101  
207-742-9057

ENGINEER:  
Bills Civil Engineers  
780 Broadway  
So. Portland, ME 04106  
207-767-7900

Drawing Set	No.	Date	Revision
PERMIT SET	6-21-11	RE-SUBMISSION TO CITY	

Drawing Set: PERMIT SET

Drawn: TC

Checked: PC

Approved: [Signature]

Drawing Title: LANDSCAPE PLAN

Job Number:

File:

Date: 5-17-2011 Scale: 1" = 10'-0"

Drawing Number: L-4.0

